

US00D537251S

(12) **United States Design Patent** (10) **Patent No.:** **US D537,251 S**  
**Musgrove** (45) **Date of Patent:** **\*\* Feb. 27, 2007**

(54) **CARRIER INCLUDING SECURING MEMBER**

(76) Inventor: **Sandra Musgrove**, 1621 Goat Creek Rd., Kerrville, TX (US) 78028

(\*\*) Term: **14 Years**

(21) Appl. No.: **29/237,904**

(22) Filed: **Sep. 8, 2005**

(51) **LOC (8) Cl.** ..... **03-01**

(52) **U.S. Cl.** ..... **D3/307; D3/201; D3/315**

(58) **Field of Classification Search** ..... D3/294, D3/279, 301-315, 276, 203; D9/420, 456, D9/760, 425, 700, 432-435; D32/46; 226/643; D6/475-476, 396, 525, 436, 469, 407; D8/330; D7/620, 706, 709, 542; D11/156, 147; D24/226-227; D12/133; 206/528; D19/75-78; D30/107; 220/4.33; D34/19

See application file for complete search history.

(56) **References Cited**

**U.S. PATENT DOCUMENTS**

D235,488 S	*	6/1975	Swalm	.....	D3/309
D307,967 S	*	5/1990	Lanius	.....	D3/309
D314,279 S	*	2/1991	Hotchkiss	.....	D3/309
D355,336 S	*	2/1995	Dickey et al.	.....	D7/620
D355,553 S	*	2/1995	Tiramani	.....	D6/525
D364,039 S	*	11/1995	Kruger	.....	D3/315
D364,539 S	*	11/1995	Dickey et al.	.....	D7/620

D386,384 S	*	11/1997	Rausch et al.	.....	D8/330
D386,616 S	*	11/1997	Nimer	.....	D3/308
D420,221 S	*	2/2000	Williams et al.	.....	D3/315
D477,479 S	*	7/2003	Henderson et al.	.....	D6/510
D484,011 S	*	12/2003	Strobel et al.	.....	D7/706
D492,113 S	*	6/2004	Bayer et al.	.....	D3/310
D522,751 S	*	6/2006	Irwin et al.	.....	D3/315

\* cited by examiner

*Primary Examiner*—Louis S. Zarfes

*Assistant Examiner*—Eric L. Goodman

(74) *Attorney, Agent, or Firm*—Christopher L. Makay

(57) **CLAIM**

The ornamental design for a carrier including securing member, as shown and described.

**DESCRIPTION**

FIG. 1 is a perspective view from above and one side of the carrier including securing member according to my new design;

FIG. 2 is a top view thereof;

FIG. 3 is a rear view thereof;

FIG. 4 is a left side view thereof; and

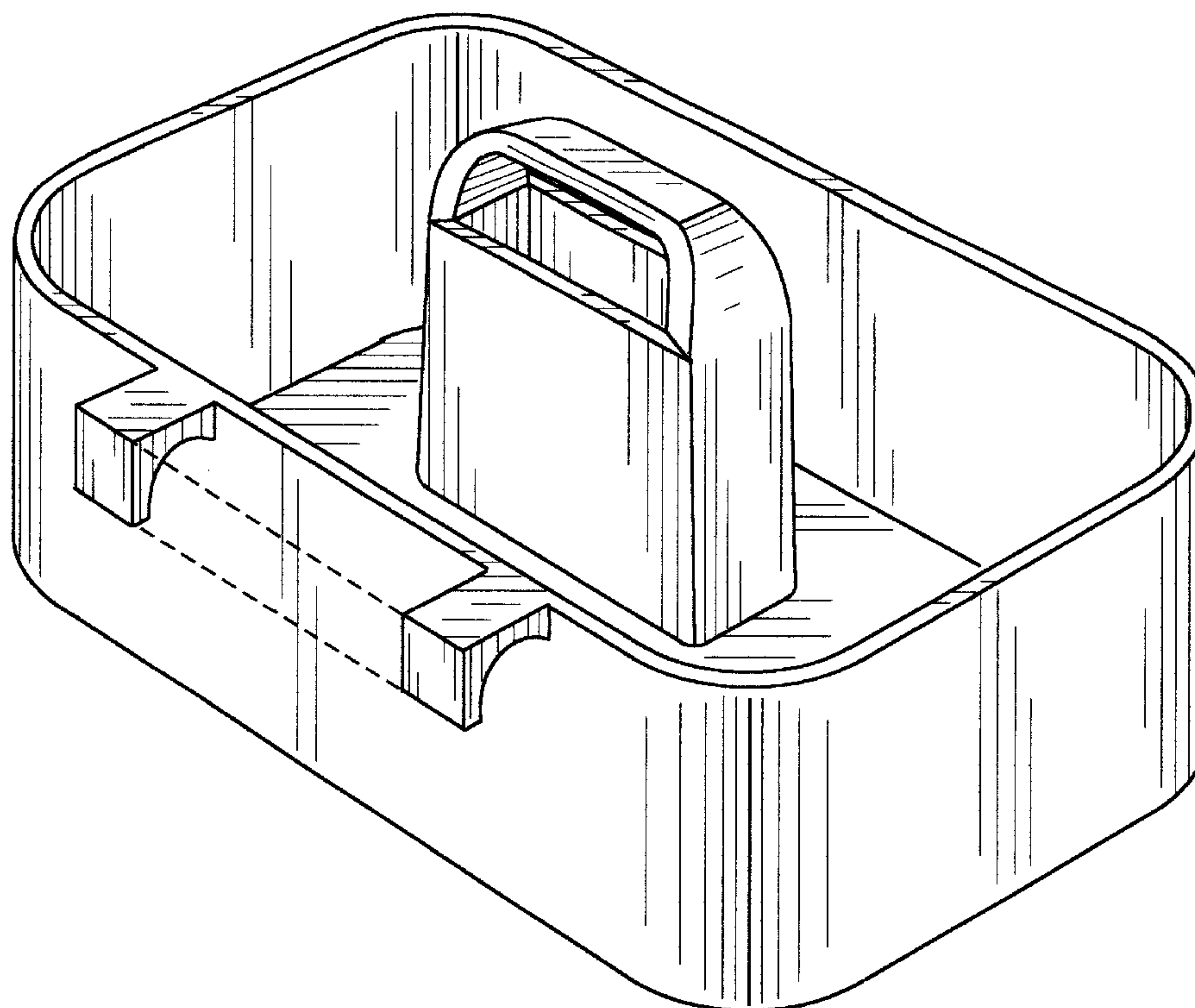
FIG. 5 is a right side view thereof;

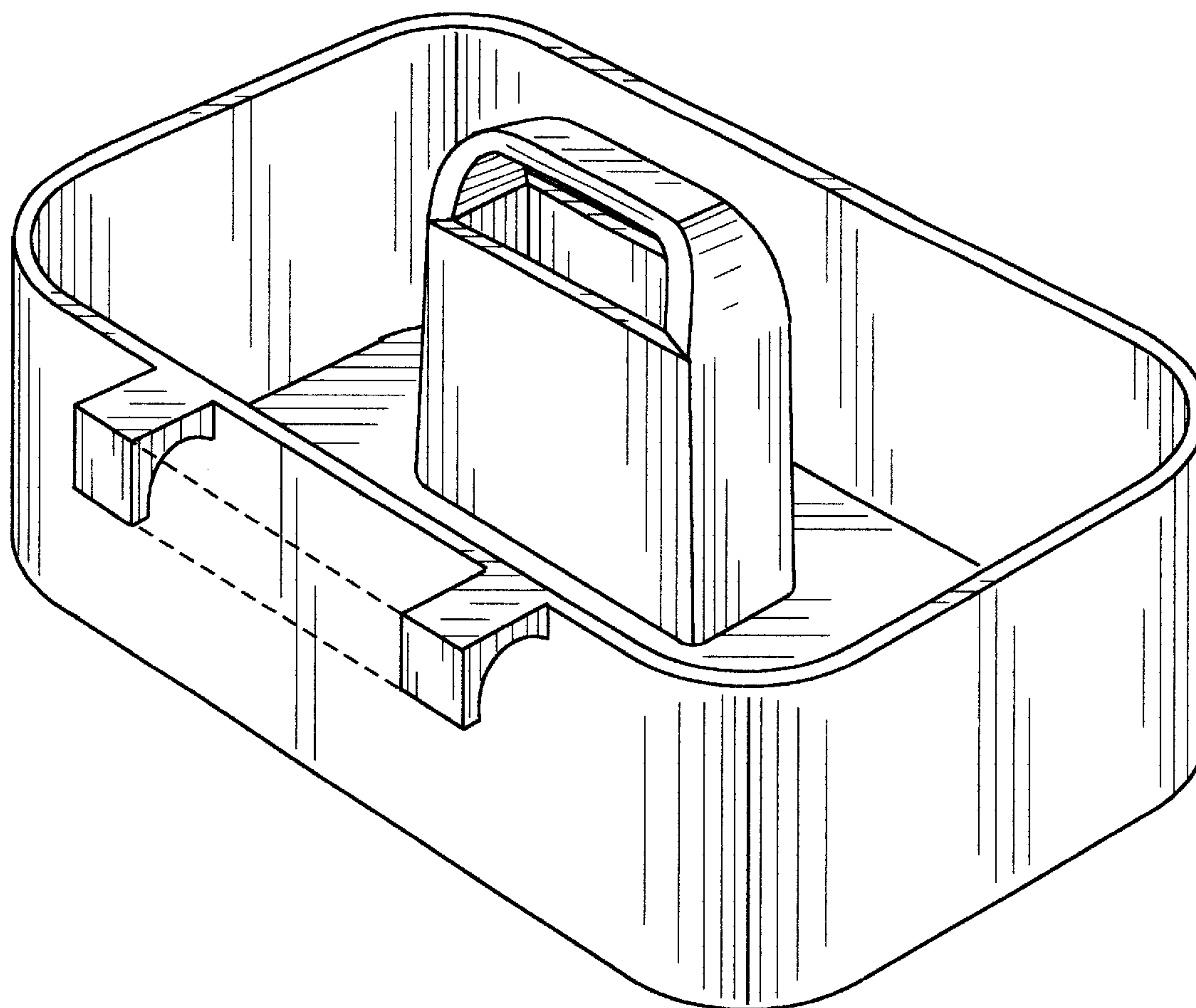
FIG. 6 is a front view thereof; and,

FIG. 7 is a bottom view thereof.

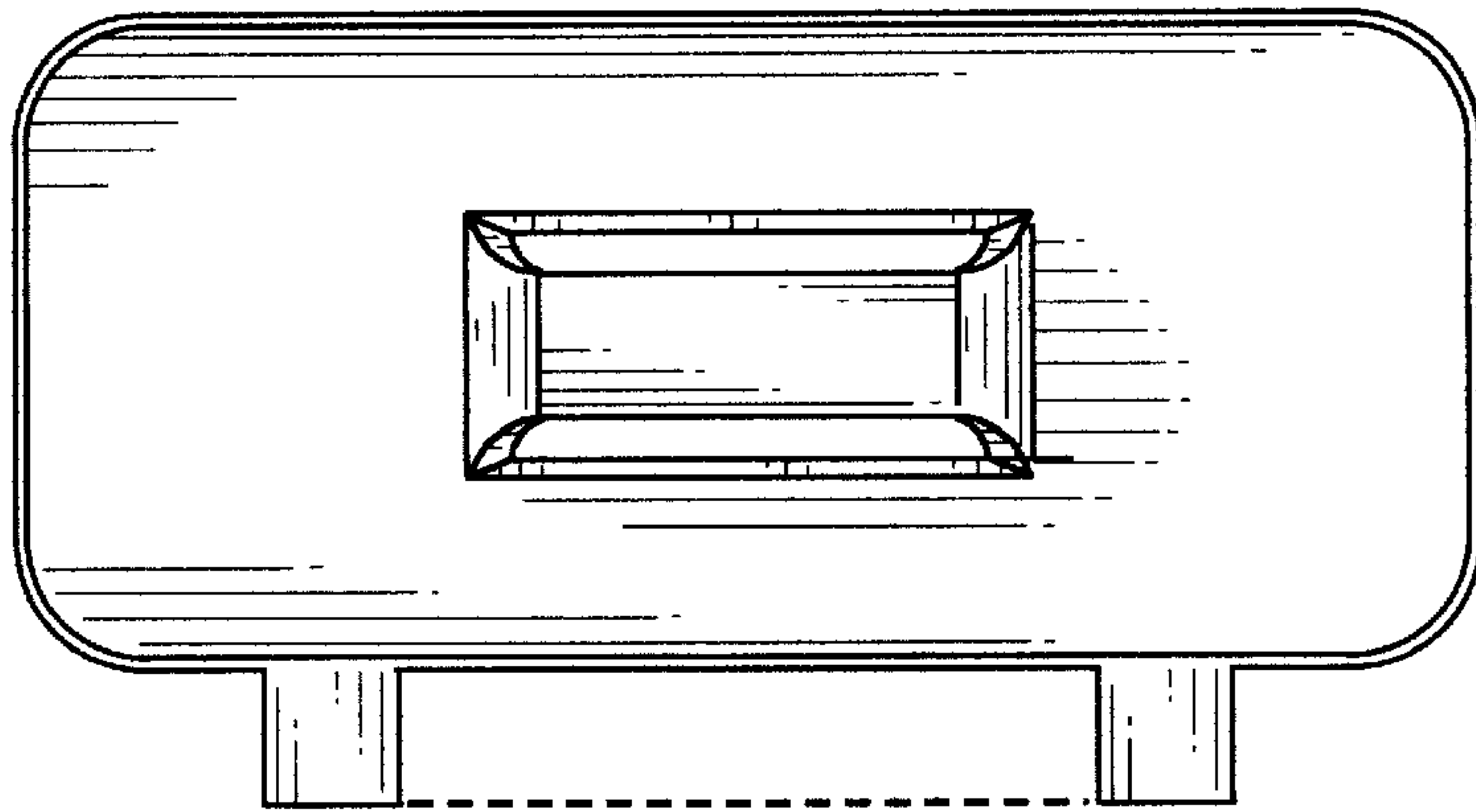
The broken line showing is for illustrative purposes only and forms no part of the claimed design.

**1 Claim, 3 Drawing Sheets**

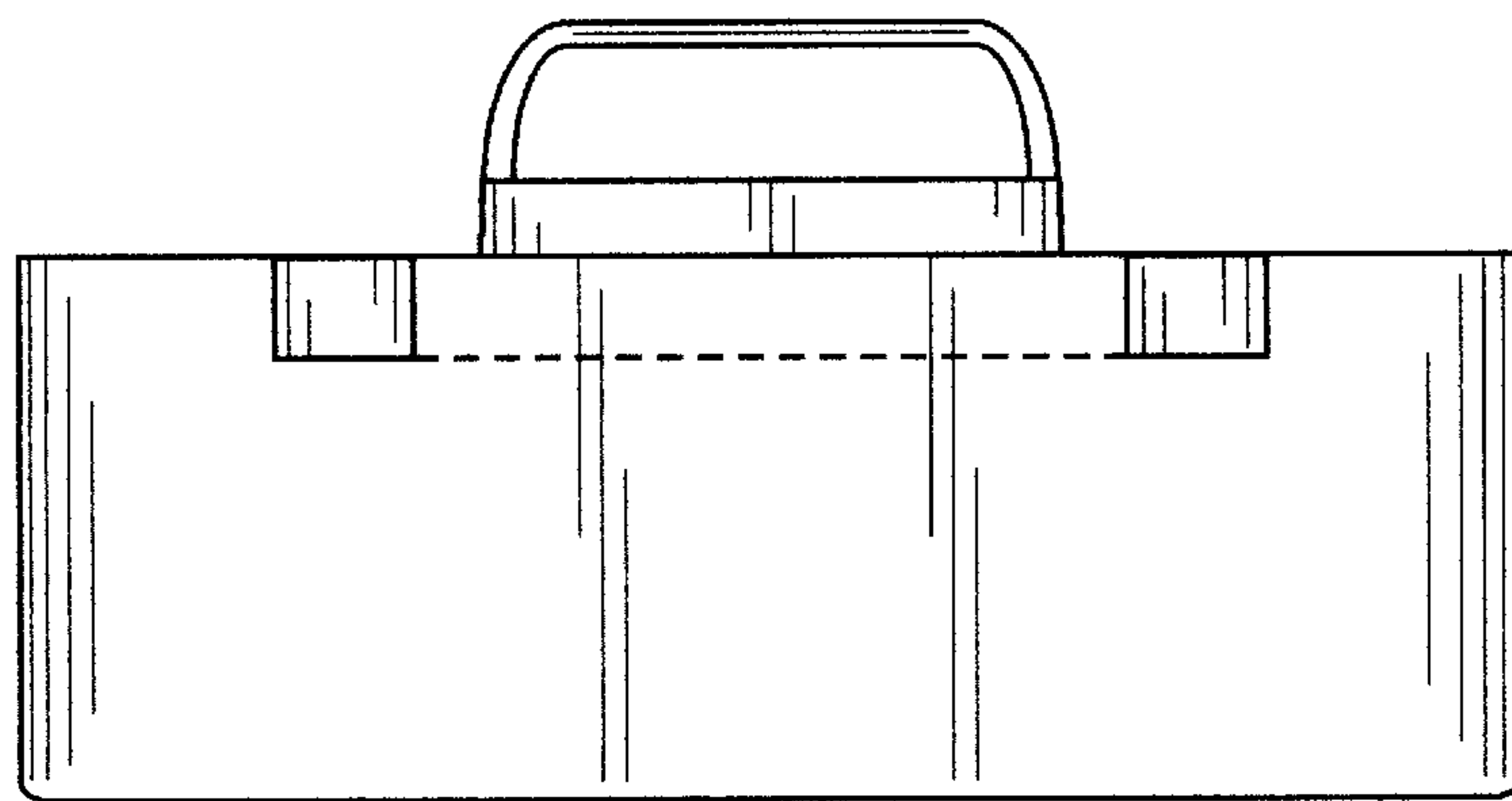




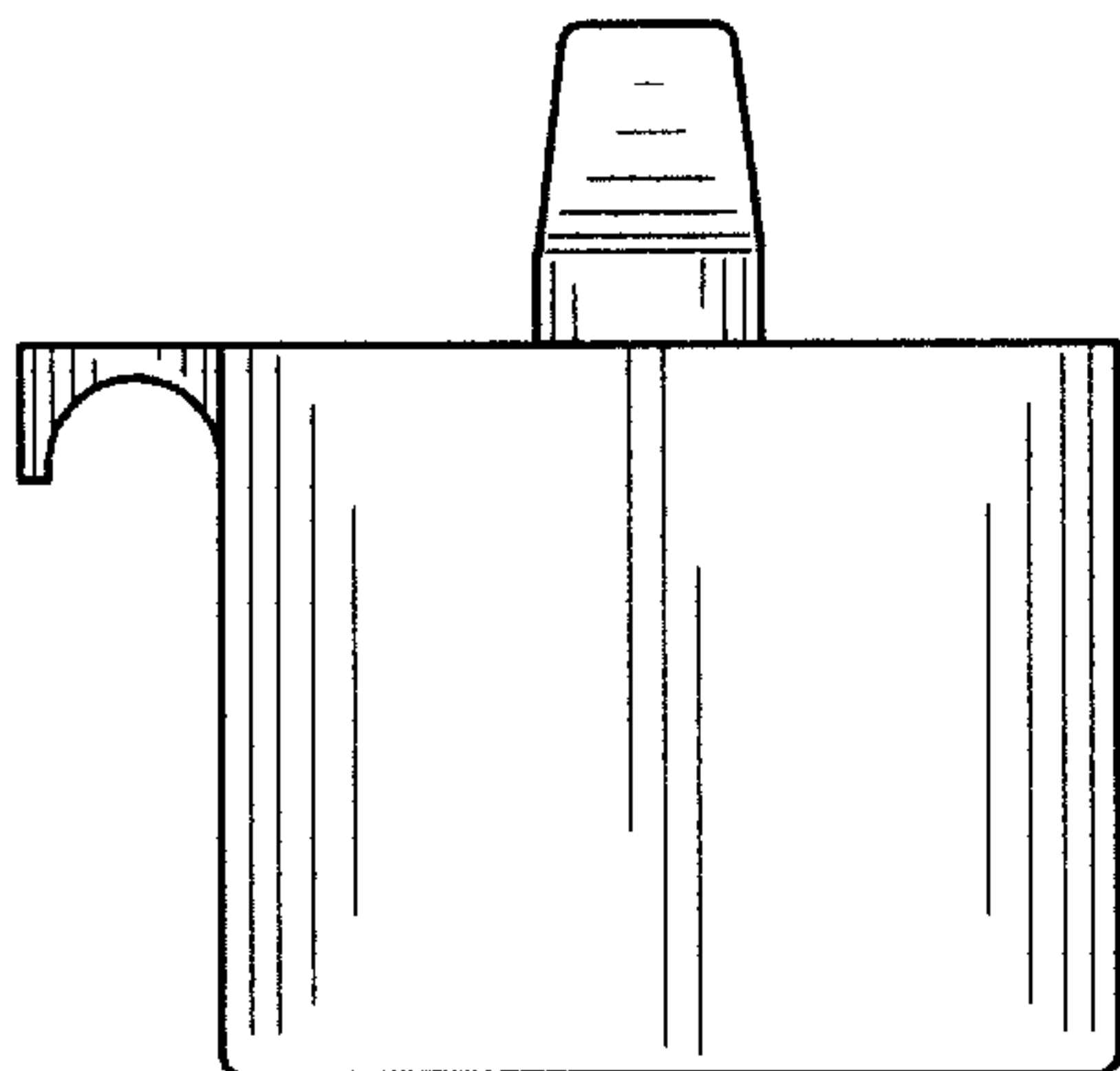
*Fig. 1*



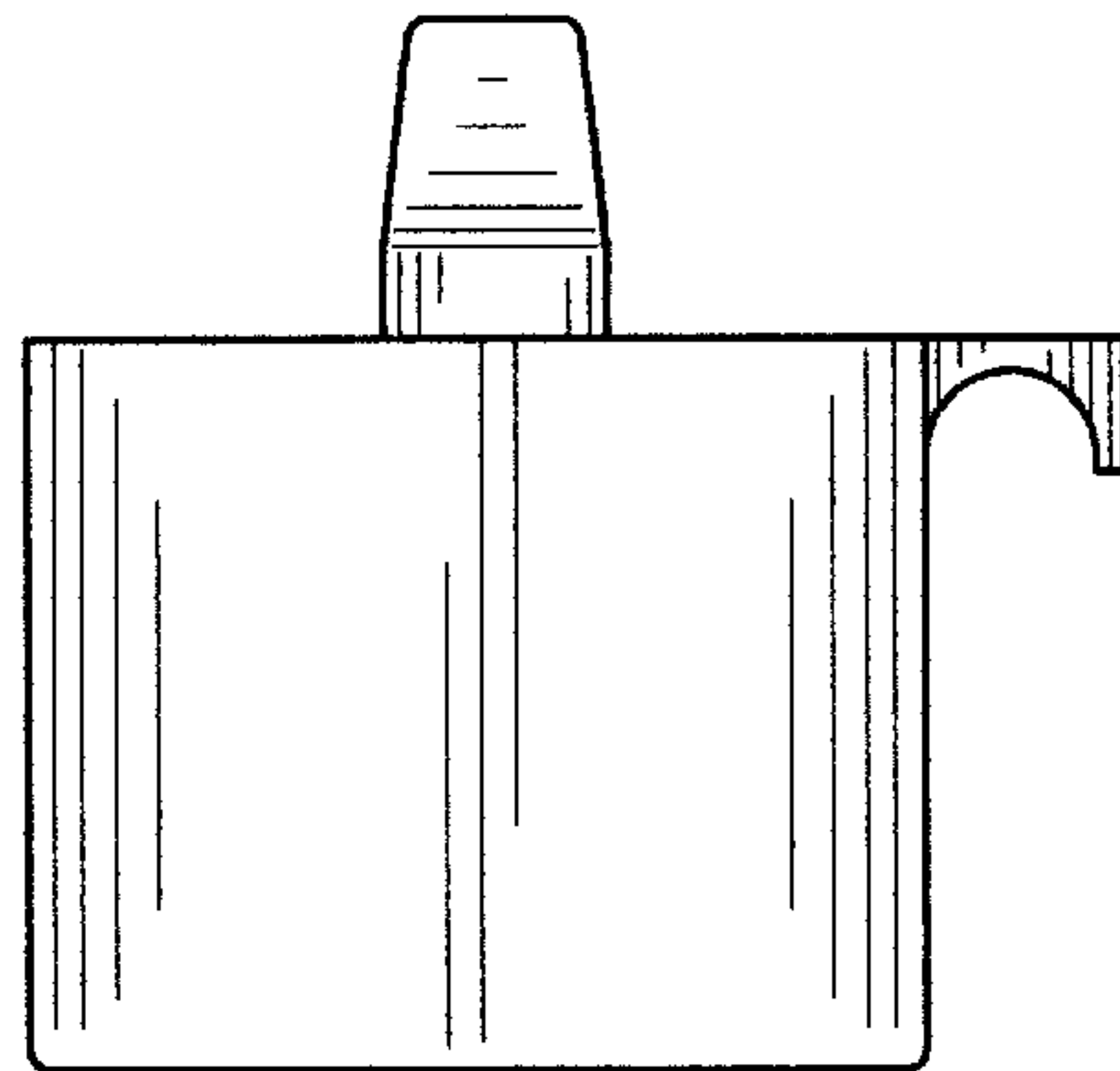
*Fig. 2*



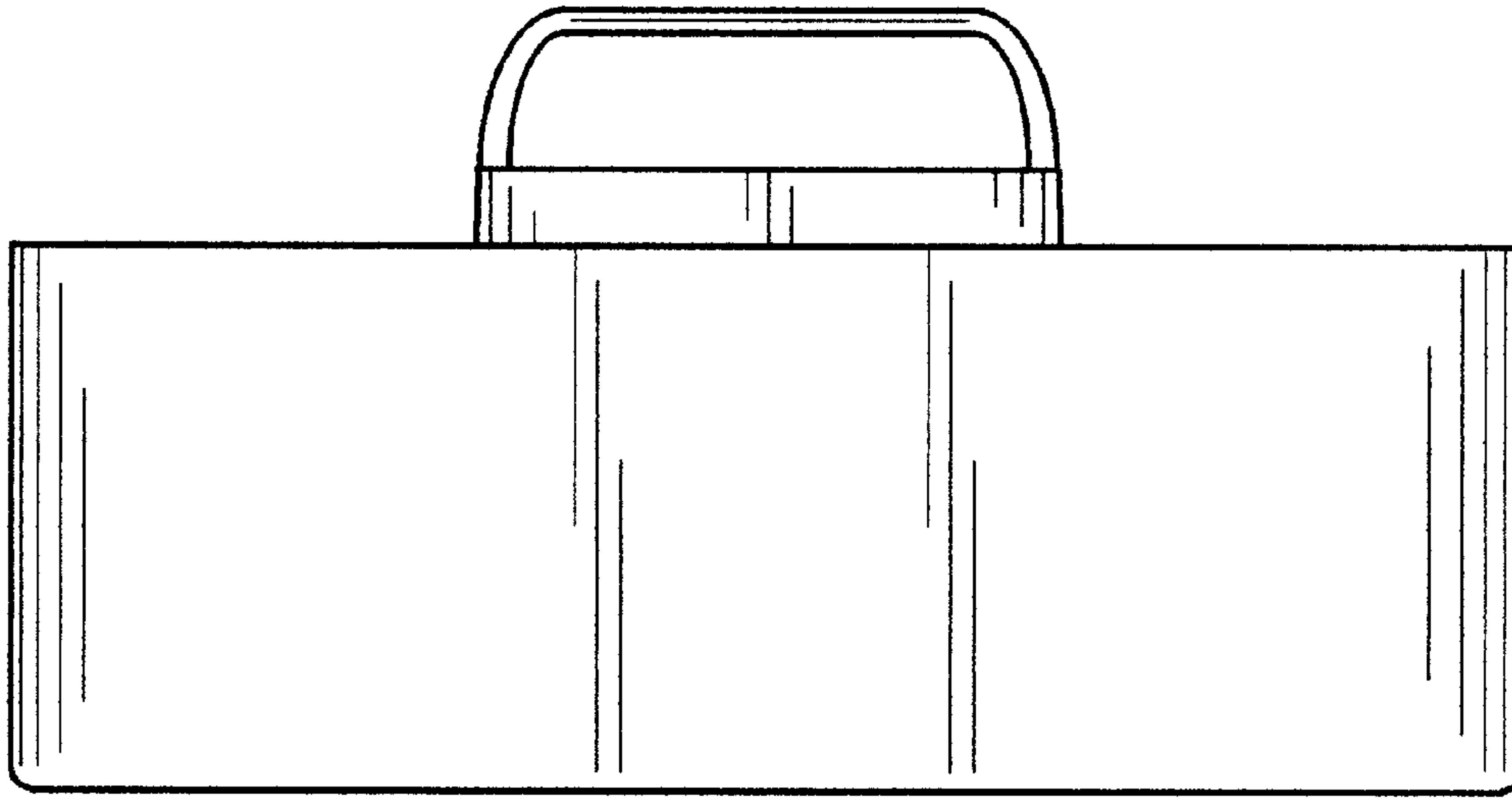
*Fig. 3*



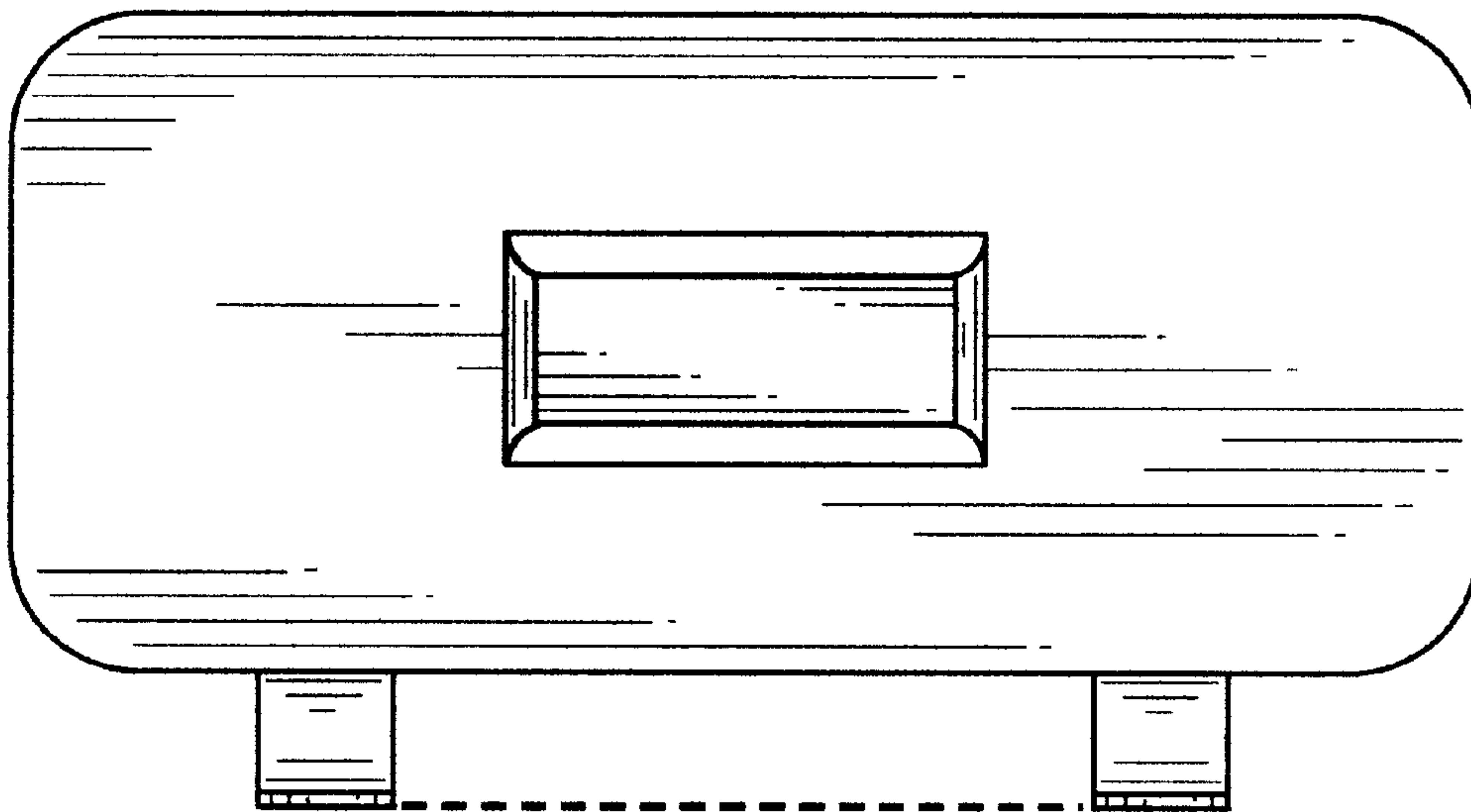
*Fig. 4*



*Fig. 5*



*Fig. 6*



*Fig. 7*