



US00D537250S

(12) **United States Design Patent**
Richard

(10) **Patent No.: US D537,250 S**

(45) **Date of Patent: ** Feb. 27, 2007**

(54) **TOOL TRAY**

(76) **Inventor: Paul A. Richard**, 21 Colpitts St.,
Cocagne, New Brunswick (CA), E4R
2L1

(**) **Term: 14 Years**

(21) **Appl. No.: 29/236,752**

(22) **Filed: Aug. 23, 2005**

(51) **LOC (8) Cl. 03-01**

(52) **U.S. Cl. D3/307; D3/379**

(58) **Field of Classification Search** D3/301-315,
D3/276, 203, 294, 279; D11/156, 147; D24/226-227;
D9/425, 700, 432-435, 420, 456, 760, 414;
D12/133; 206/528; D6/436, 469, 407, 396,
D6/475-476, 525; D19/75-78; D30/107;
220/4.33; D34/19; D32/46; 226/643; D8/330;
D7/620, 706, 409, 542; 229/162.1, 100, 122
See application file for complete search history.

(56) **References Cited**

U.S. PATENT DOCUMENTS

4,094,526 A * 6/1978 Clarke et al. 280/47.35
4,119,044 A 10/1978 Hines
D258,212 S * 2/1981 Negrete D7/409
D282,823 S * 3/1986 Franek et al. D9/429

D284,437 S * 7/1986 Zieff et al. D7/542
D295,337 S * 4/1988 Bogart D34/17
D320,340 S * 10/1991 Rademacher D9/760
D327,351 S * 6/1992 Dallas D34/23
D371,916 S * 7/1996 Kacprowicz D6/396
D427,406 S * 6/2000 Hartwall D34/23
D494,335 S * 8/2004 Oberg D34/23
D519,375 S * 4/2006 Brooks D9/456
D519,838 S * 5/2006 Brooks D9/456

* cited by examiner

Primary Examiner—Louis S. Zarfaz

Assistant Examiner—Eric L. Goodman

(74) *Attorney, Agent, or Firm*—Mario Theriault

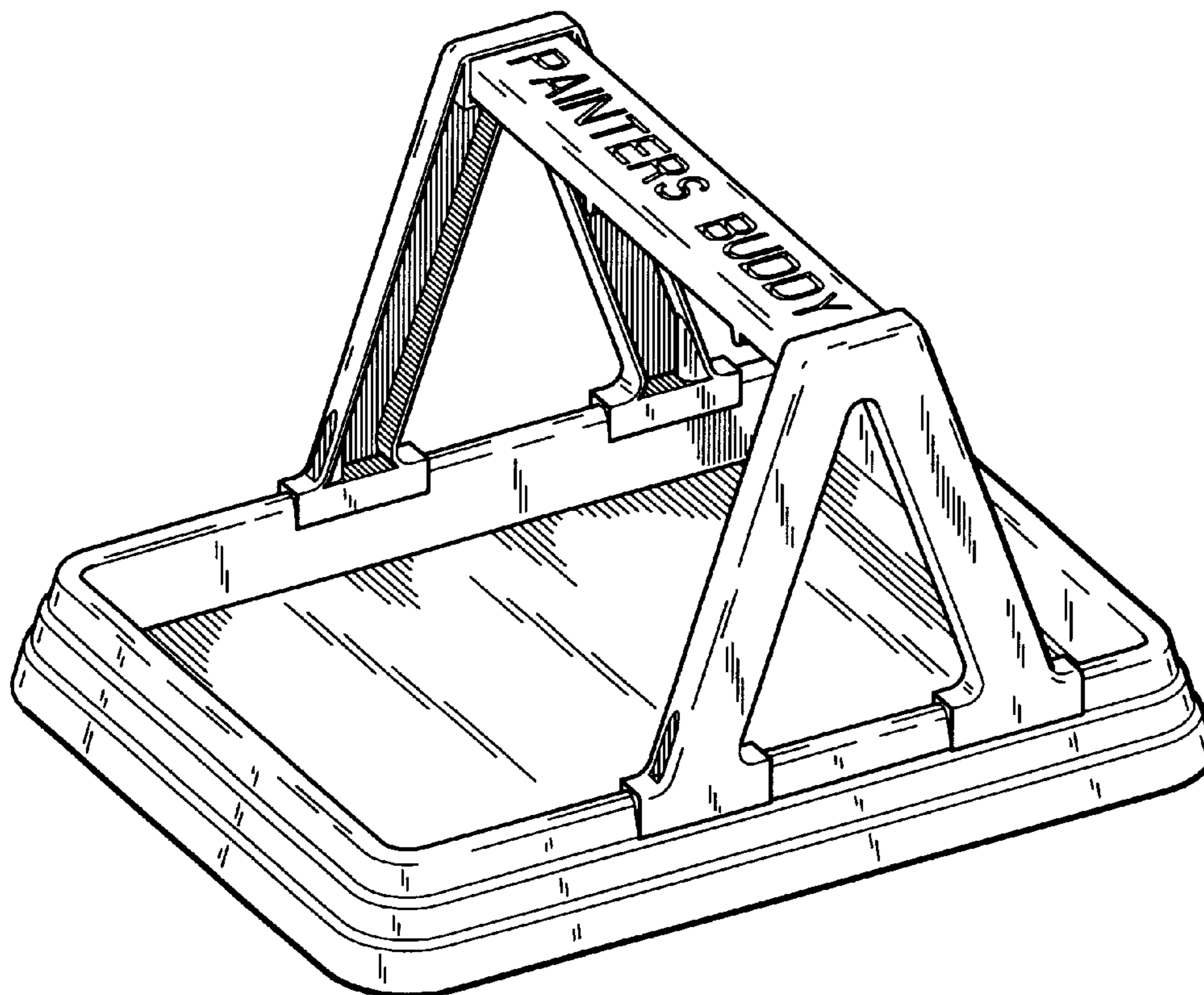
(57) **CLAIM**

The ornamental design for a tool tray, as shown and described.

DESCRIPTION

FIG. 1 is a perspective top, front and right side view of a tool tray, showing my new design;
FIG. 2 is a front view thereof, the rear view being a mirror image;
FIG. 3 is a top view thereof; and,
FIG. 4 is a right side view thereof, the left side view being a mirror image.

1 Claim, 2 Drawing Sheets



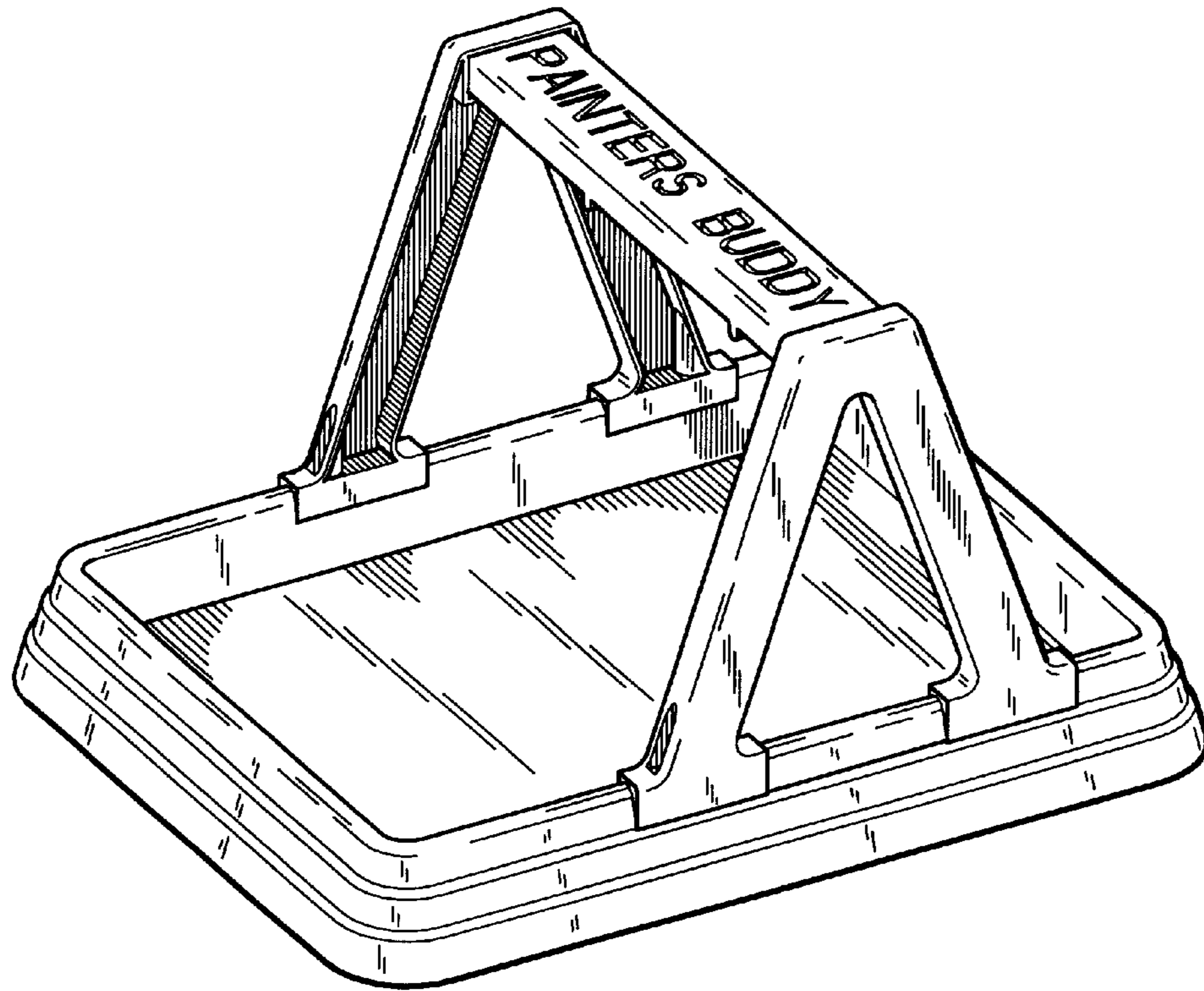


FIG. 1

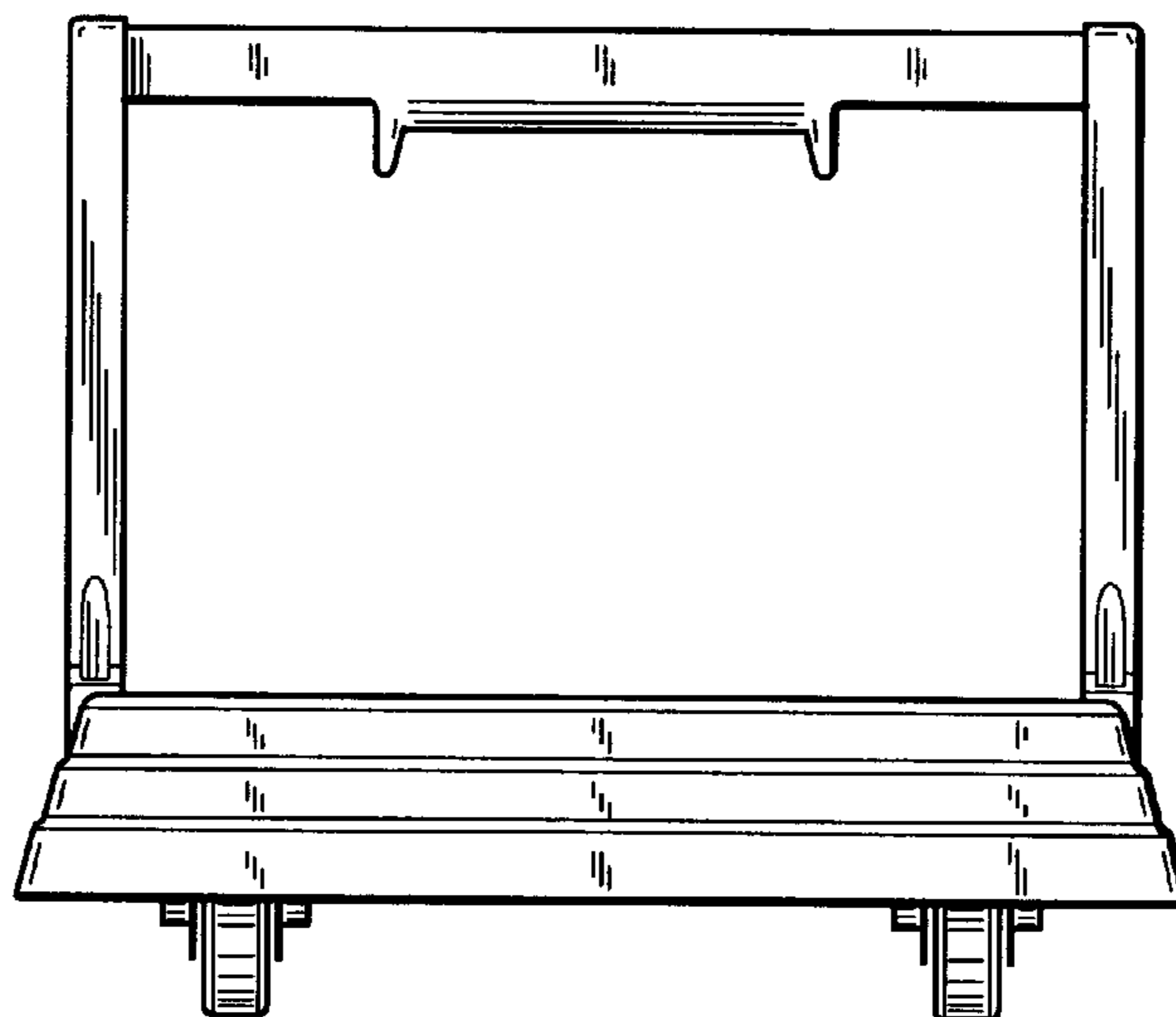


FIG. 2

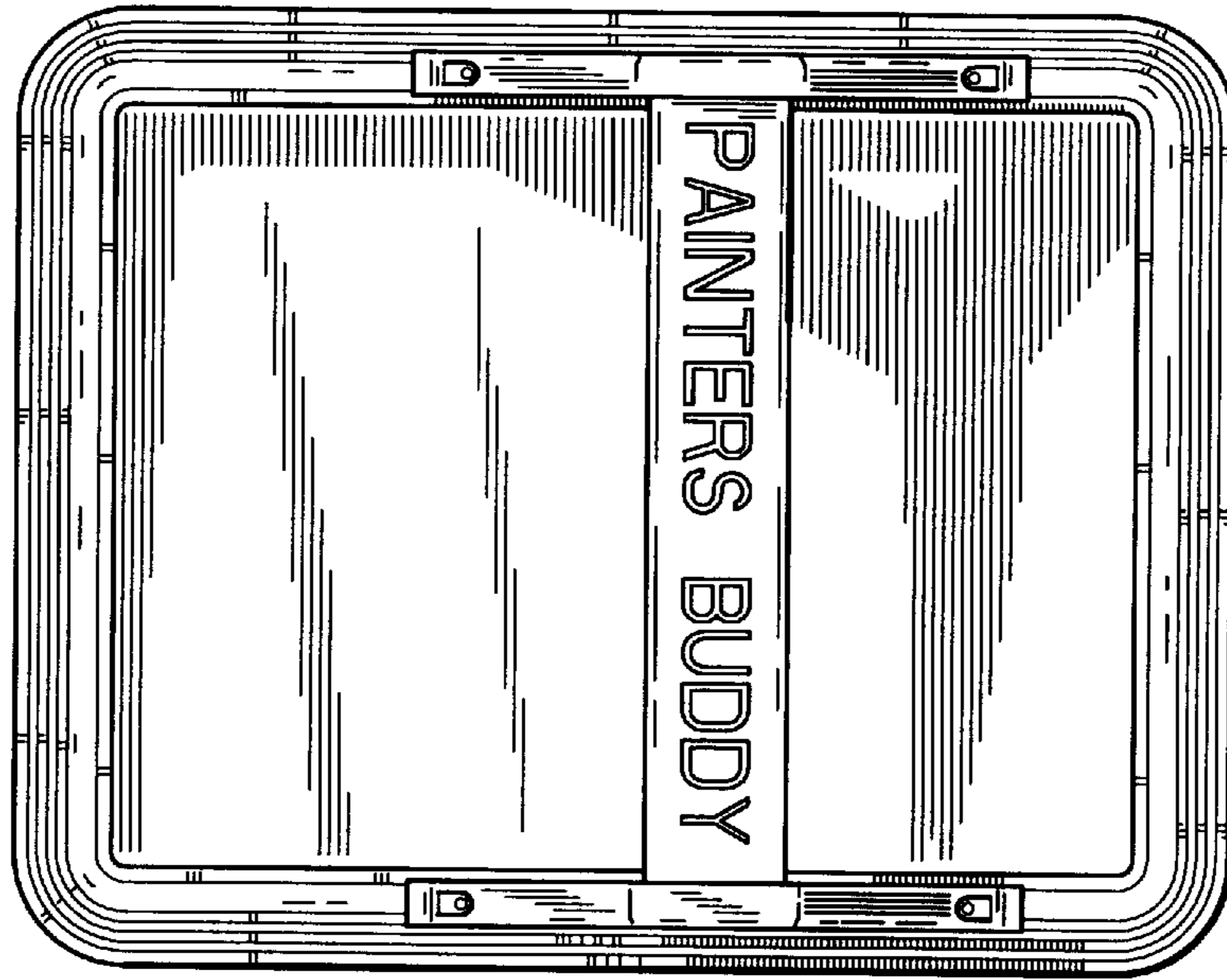


FIG. 3

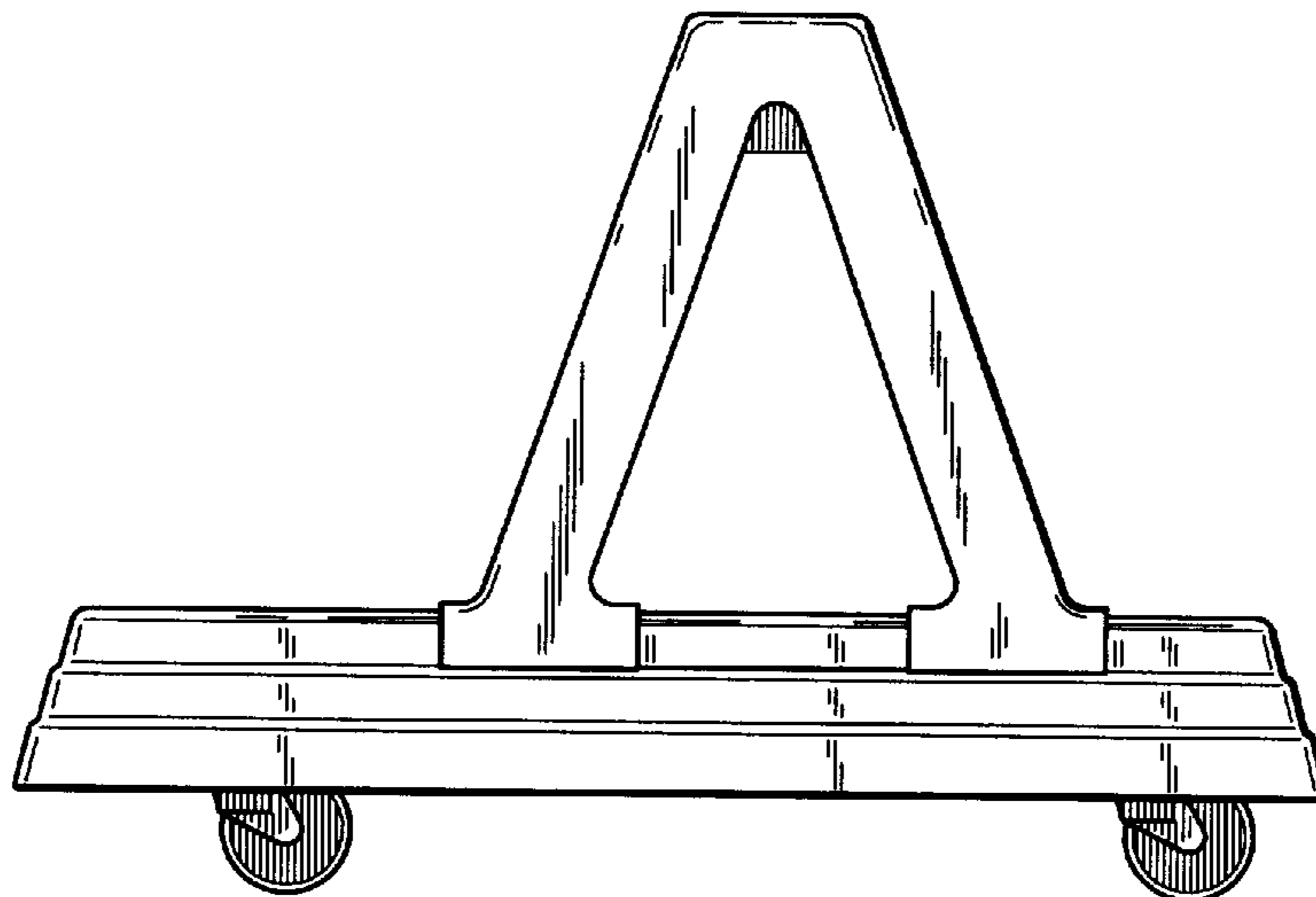


FIG. 4