



US00D537245S

(12) **United States Design Patent**
Crandall

(10) **Patent No.:** **US D537,245 S**

(45) **Date of Patent:** **** Feb. 27, 2007**

(54) **BELT MOUNTED GOLF BALL HOLDER**

(76) **Inventor:** **Greg Crandall**, 8525 Creekside Dr.,
Sagamore Hills, OH (US) 44067

(**) **Term:** **14 Years**

(21) **Appl. No.:** **29/253,441**

(22) **Filed:** **Feb. 8, 2006**

(51) **LOC (8) Cl.** **03-01**

(52) **U.S. Cl.** **D3/221**

(58) **Field of Classification Search** D3/221,
D3/224, 226, 215, 257, 254, 259; D21/789,
D21/796; 224/666, 918-919, 676-680, 196-197;
206/315.9

See application file for complete search history.

(56) **References Cited**

U.S. PATENT DOCUMENTS

4,106,678 A * 8/1978 Thomas D3/224
D448,555 S * 10/2001 deLong D3/221
D457,721 S * 5/2002 Matyas D3/221

D503,449 S * 3/2005 Dastice D3/221
D514,313 S * 2/2006 Crippen D3/221
D520,740 S * 5/2006 Giordano et al. D3/221

* cited by examiner

Primary Examiner—Catherine R. Oliver

(74) *Attorney, Agent, or Firm*—Joseph H. Taddeo

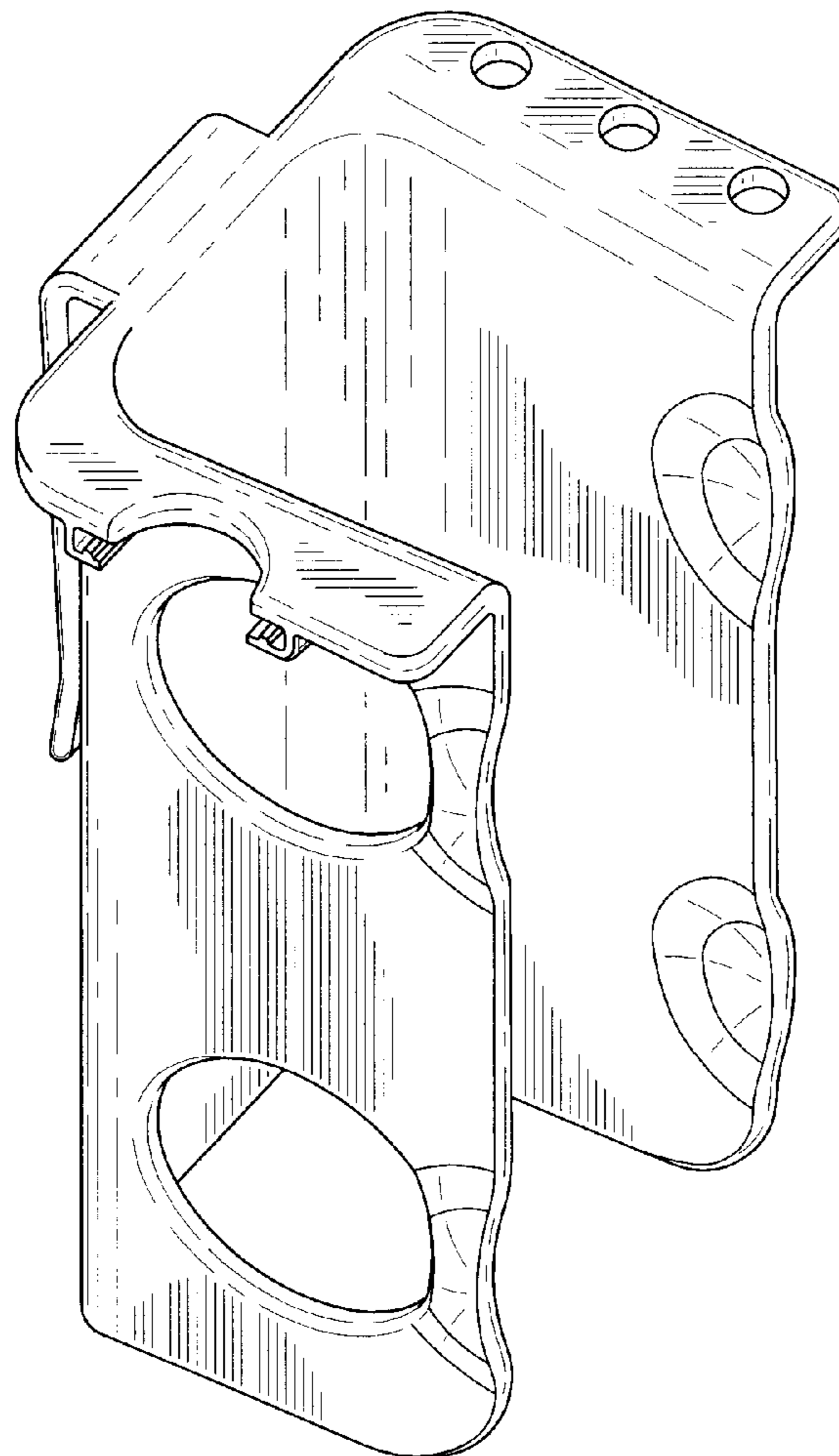
(57) **CLAIM**

The ornamental design for a belt mounted golf ball holder,
as shown and described.

DESCRIPTION

FIG. 1 is a right side perspective view of the belt mounted
golf ball holder showing my new design;
FIG. 2 is a top view thereof;
FIG. 3 is a front view thereof;
FIG. 4 is a left side view thereof;
FIG. 5 is a rear view thereof;
FIG. 6 is a right side view thereof; and,
FIG. 7 is a bottom view thereof.

1 Claim, 3 Drawing Sheets



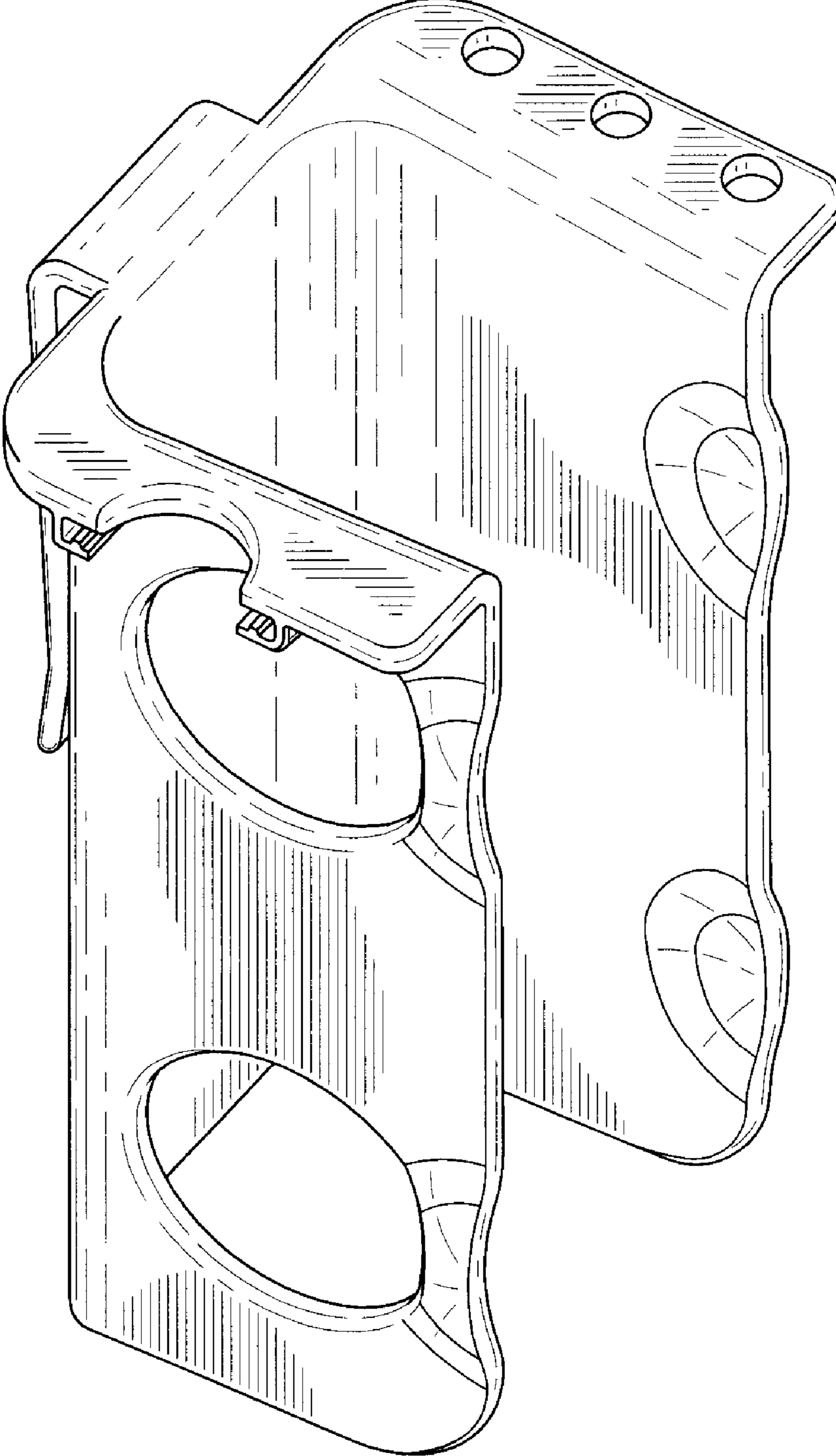


FIG-1

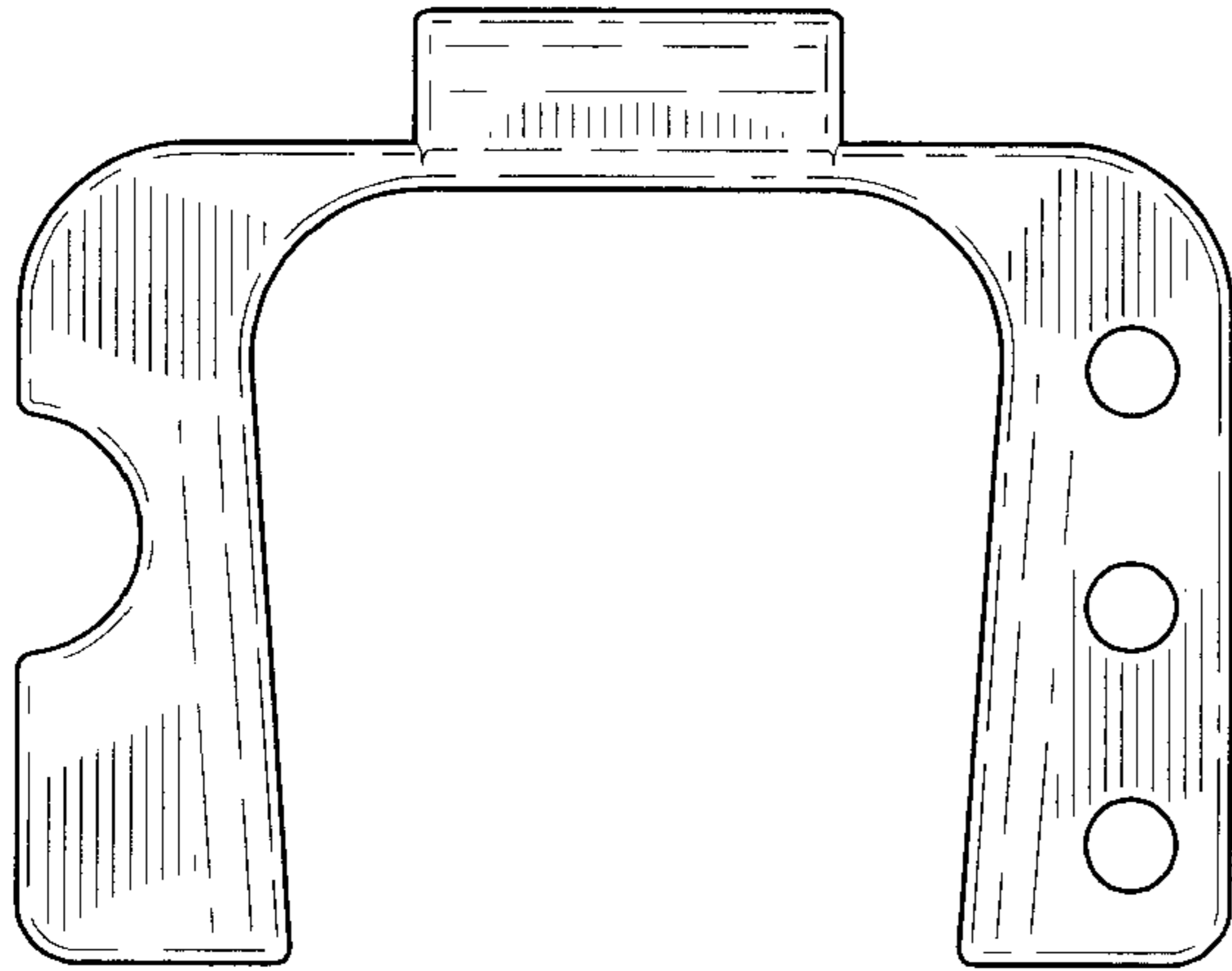


FIG-2

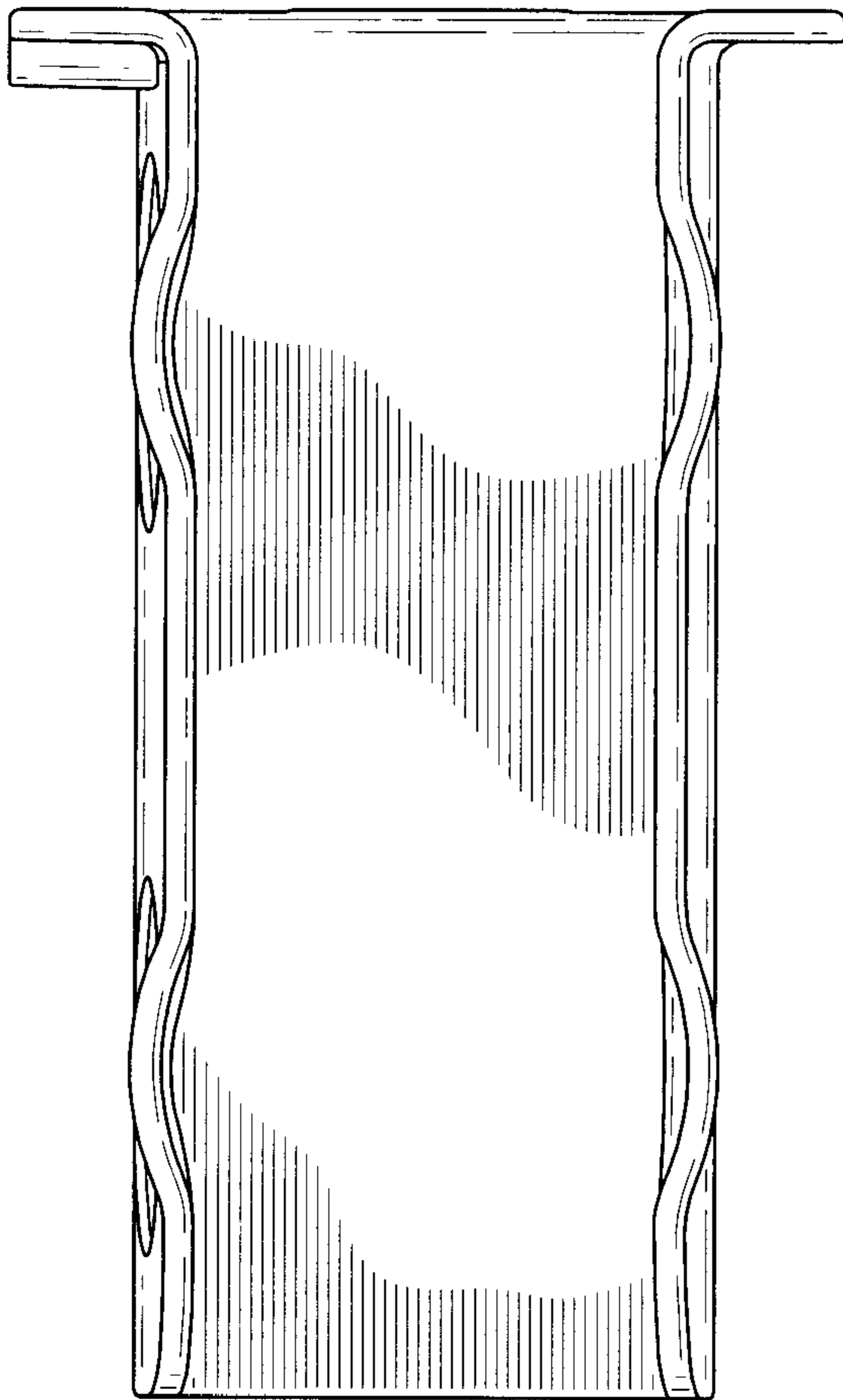


FIG-3

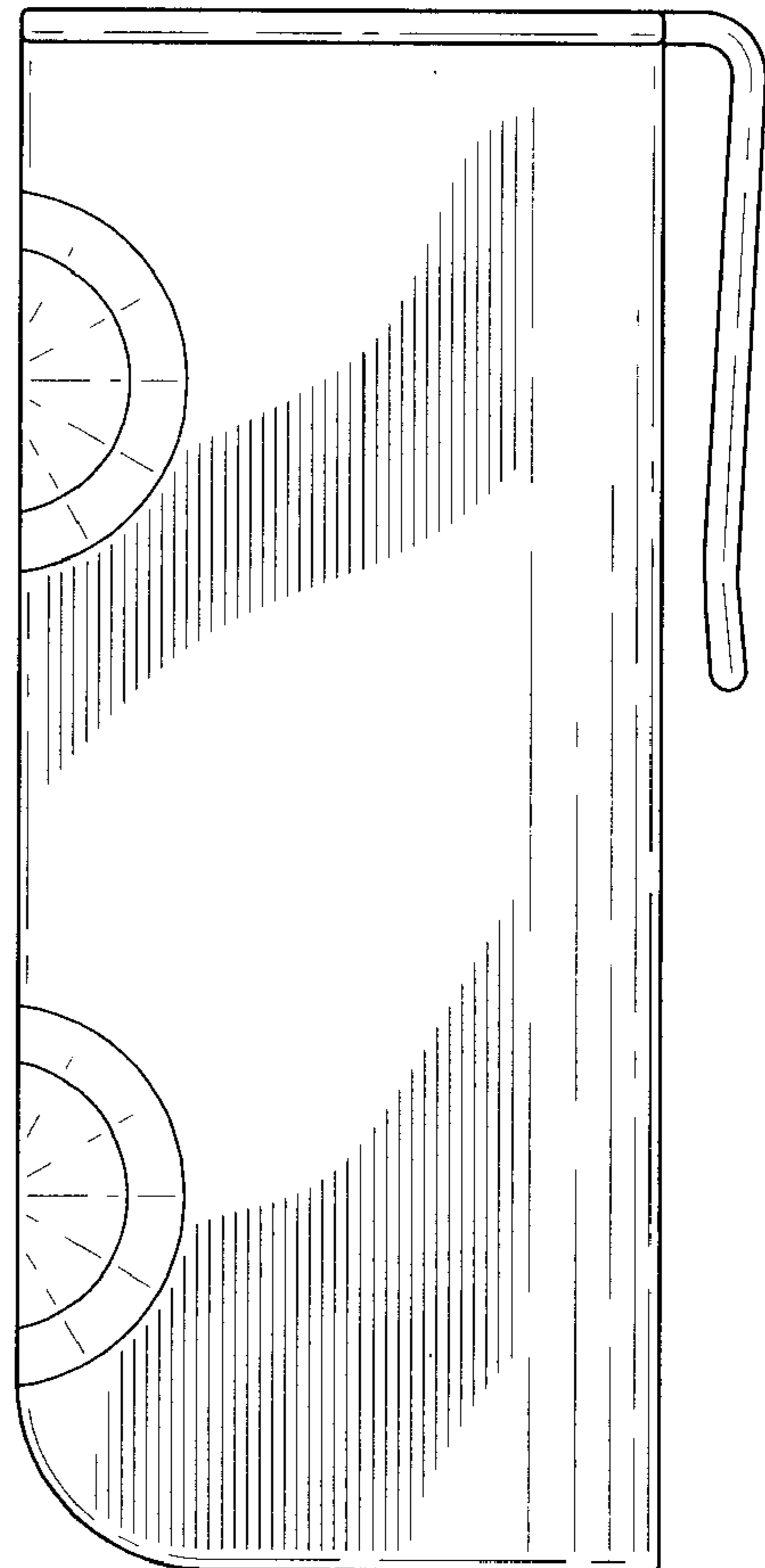


FIG-4

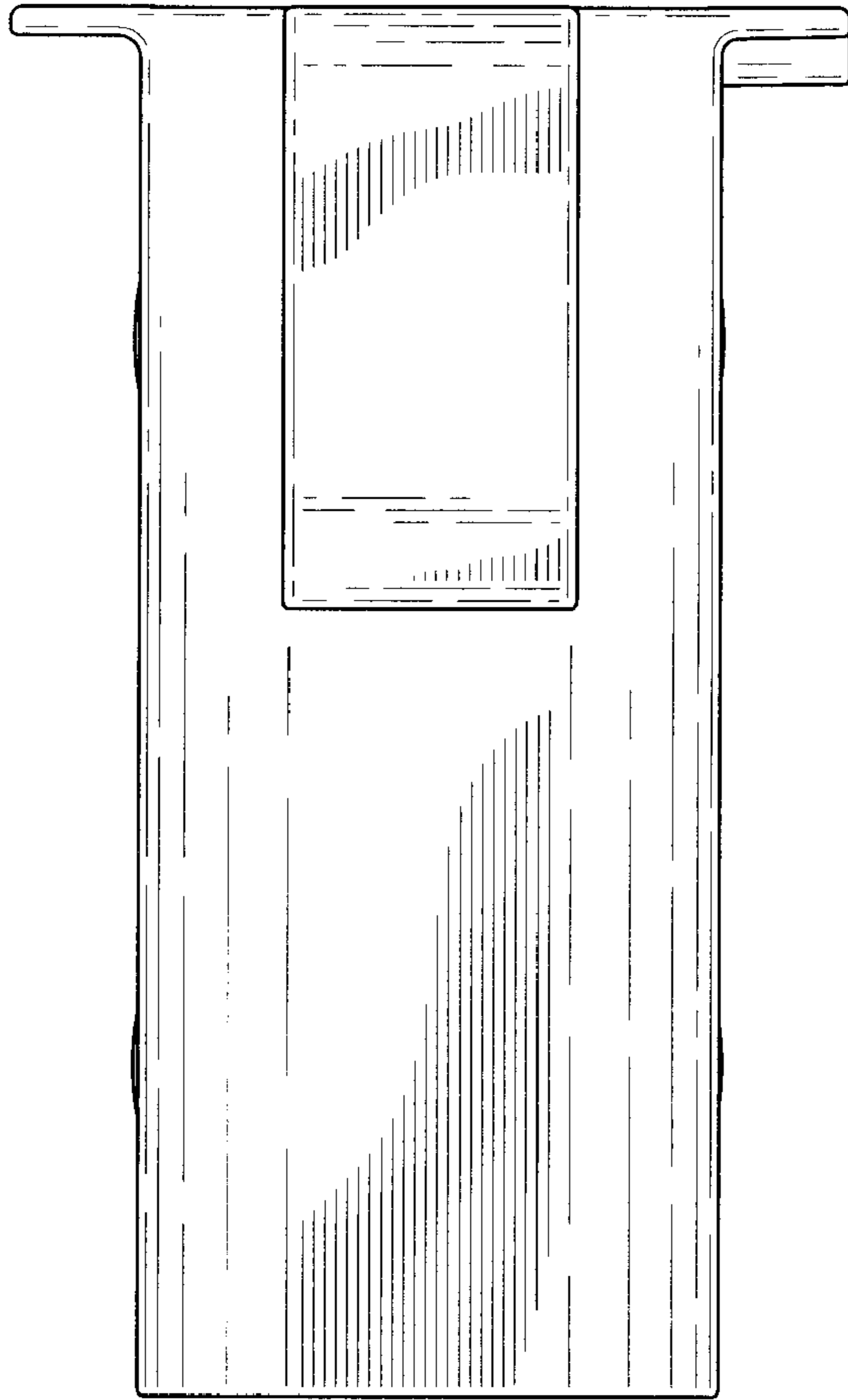


FIG-5

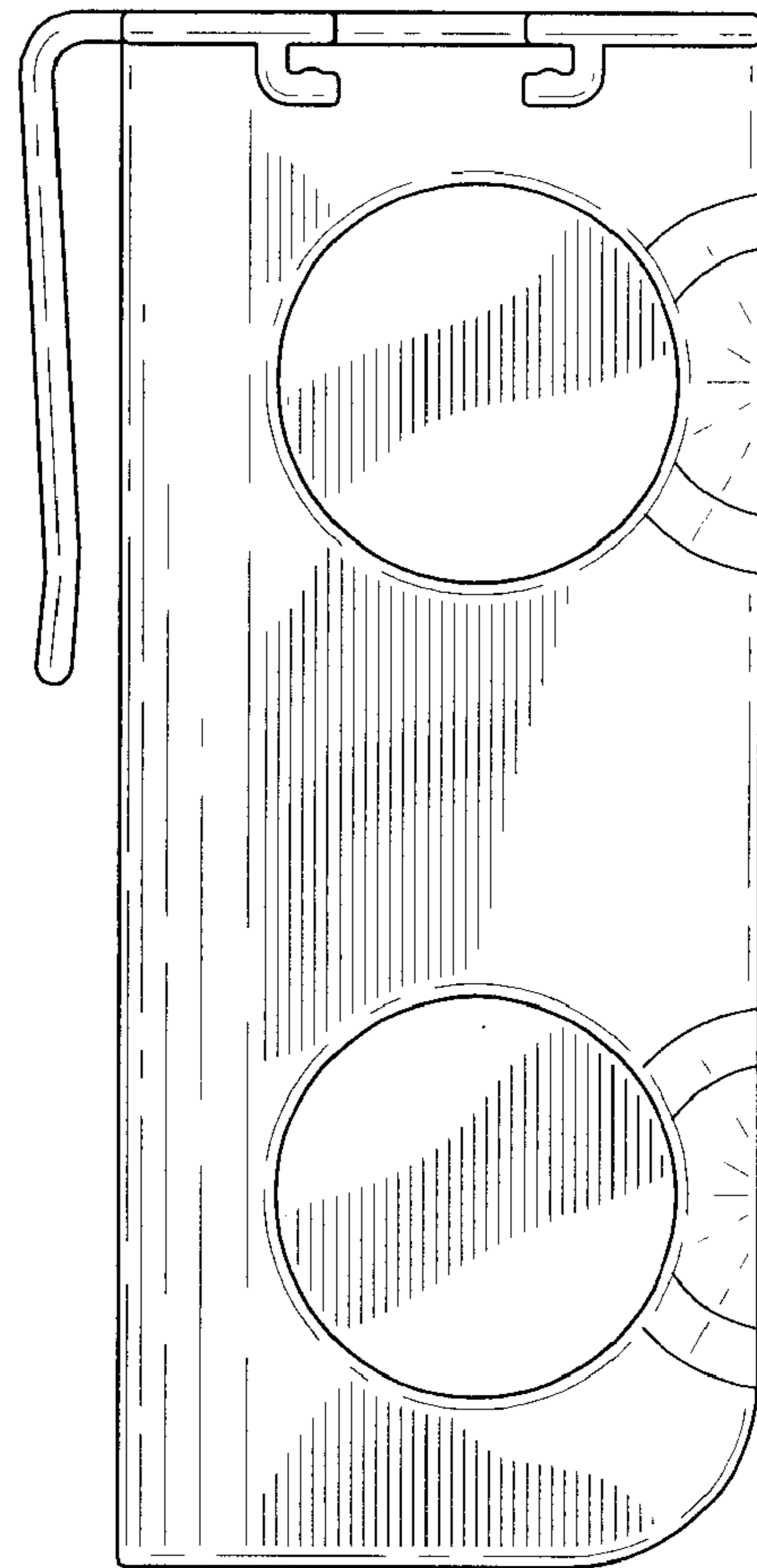


FIG-6

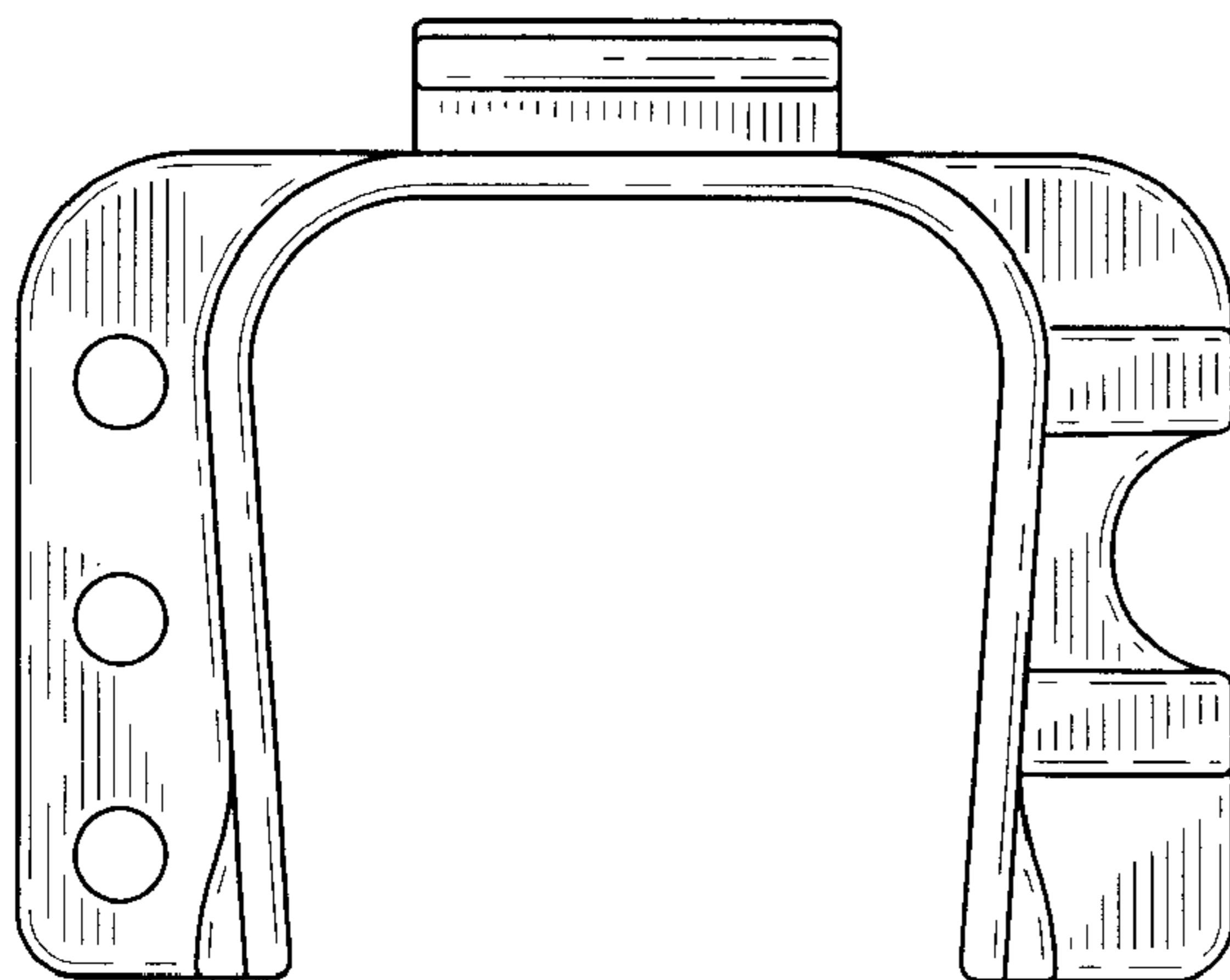


FIG-7