



US00D537238S

(12) **United States Design Patent**
Lee et al.

(10) **Patent No.:** **US D537,238 S**
(45) **Date of Patent:** **** Feb. 27, 2007**

(54) **DECORATIVE STITCHING FOR A POCKET**

TR RCD 000252630-0001 * 9/2004

(75) Inventors: **Minsoo Lee**, Haworth, NJ (US); **Nina Miner**, Great Neck, NY (US)

OTHER PUBLICATIONS

(73) Assignee: **The Children's Place Services Company, LLC**, Secaucus, NJ (US)

Walmart.com <http://www.walmart.com/catalog>. Date viewed: Aug. 2006. Heart Pocket Jeans, Item A: Center of Page.*
9Months to Grow: Maternity Fashions. www.9monthstogrow.com/fall2005/f05jeans.htm. Rhinestone Heart Pocket, Item B: Center of Page.*

(**) Term: **14 Years**

* cited by examiner

(21) Appl. No.: **29/255,724**

(22) Filed: **Mar. 9, 2006**

Primary Examiner—Ian Simmons

(51) **LOC (8) Cl.** **02-02**

Assistant Examiner—R. Johnson

(52) **U.S. Cl.** **D2/857**

(74) *Attorney, Agent, or Firm*—Fross Zelnick Lehrman & Zissu, P.C.; Philip T. Shannon, Esq.

(58) **Field of Classification Search** D2/857,
D2/769, 771, 786, 791, 812, 820, 836, 839,
D2/853, 500–502, 764, 766, 772, 976; 2/101,
2/265, 247–254, 244, 272, 274, 275; 112/475.17–18
See application file for complete search history.

(57) **CLAIM**

The ornamental design for a decorative stitching for a pocket, as shown and described.

(56) **References Cited**

DESCRIPTION

U.S. PATENT DOCUMENTS

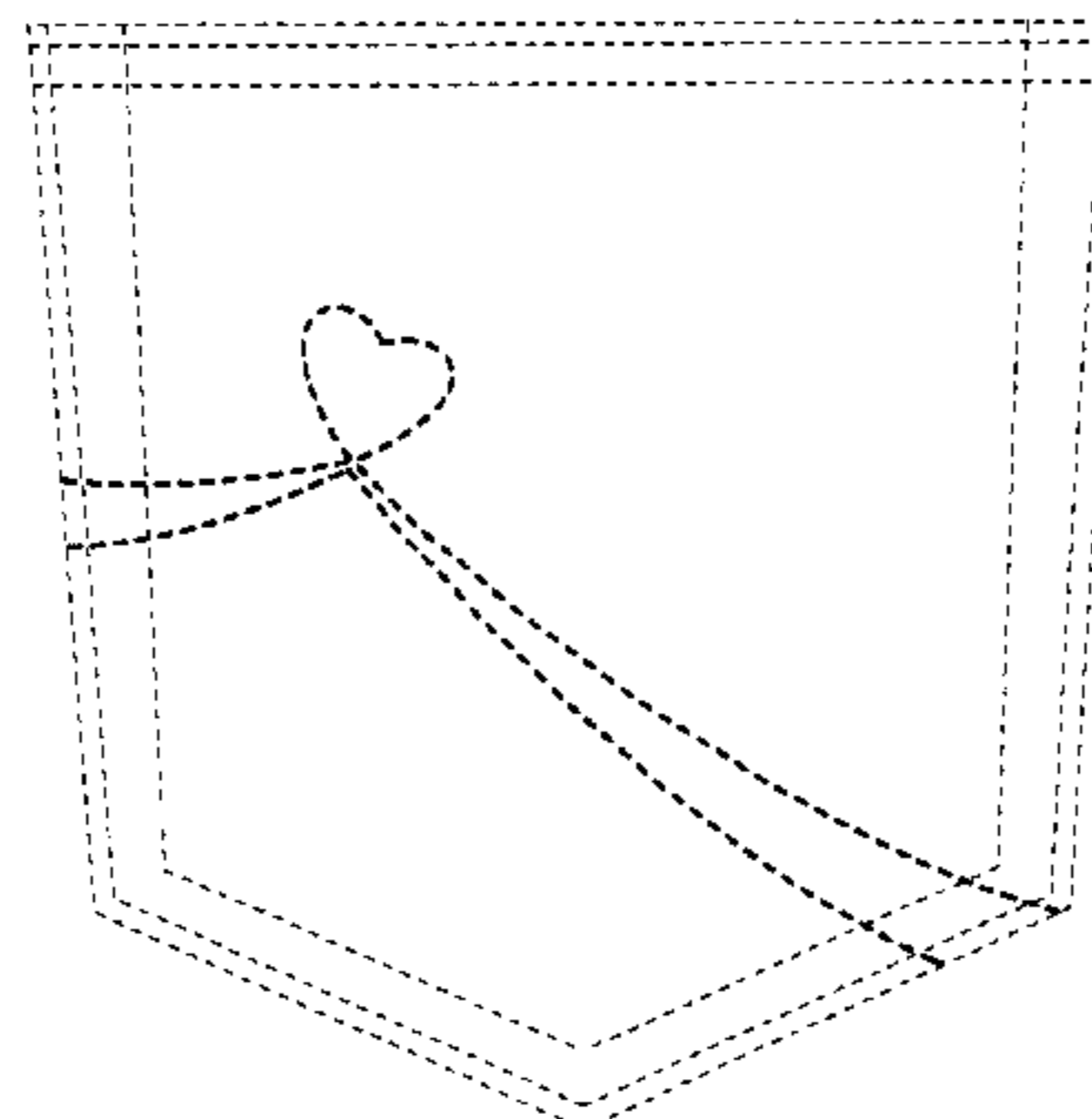
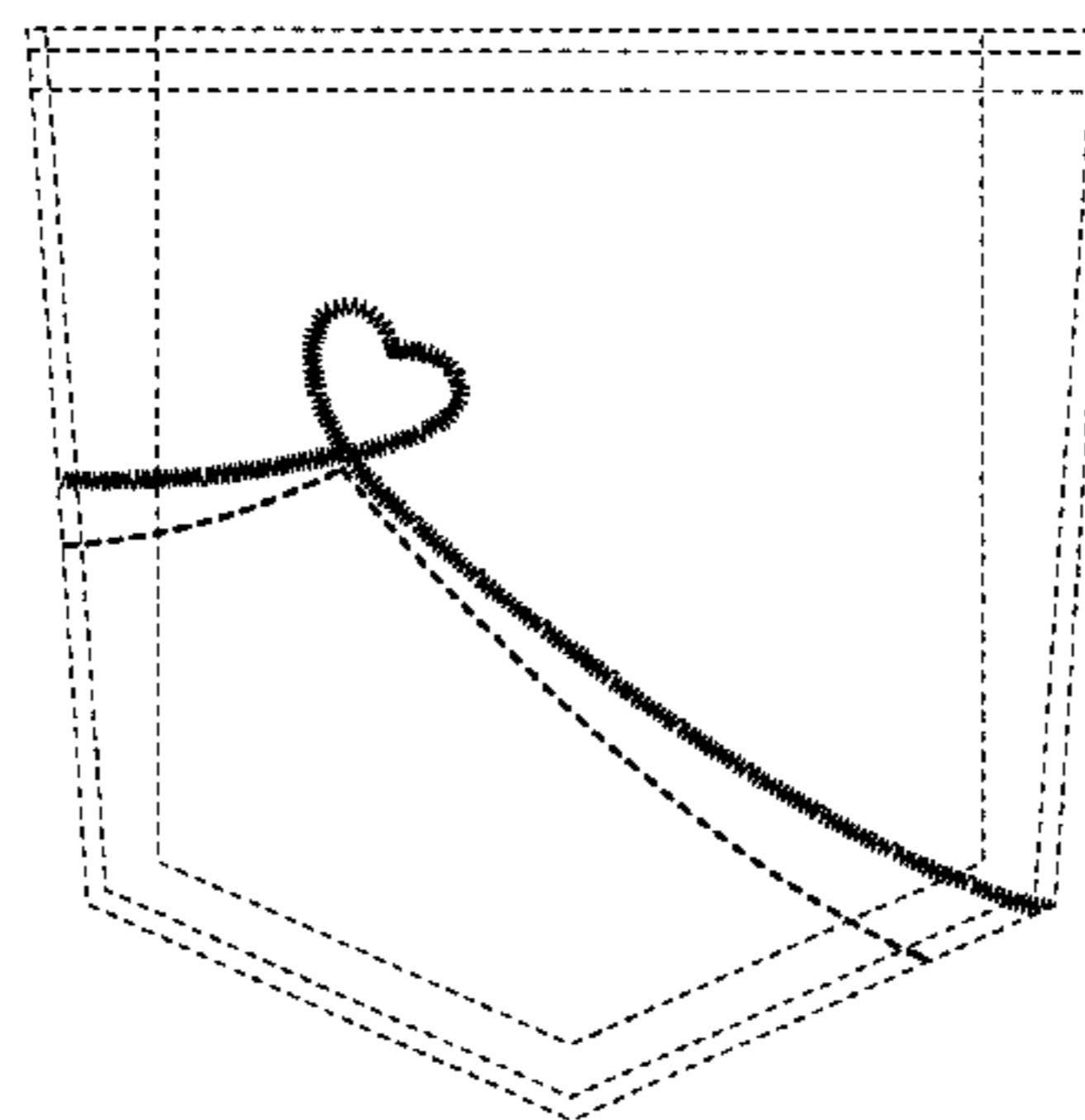
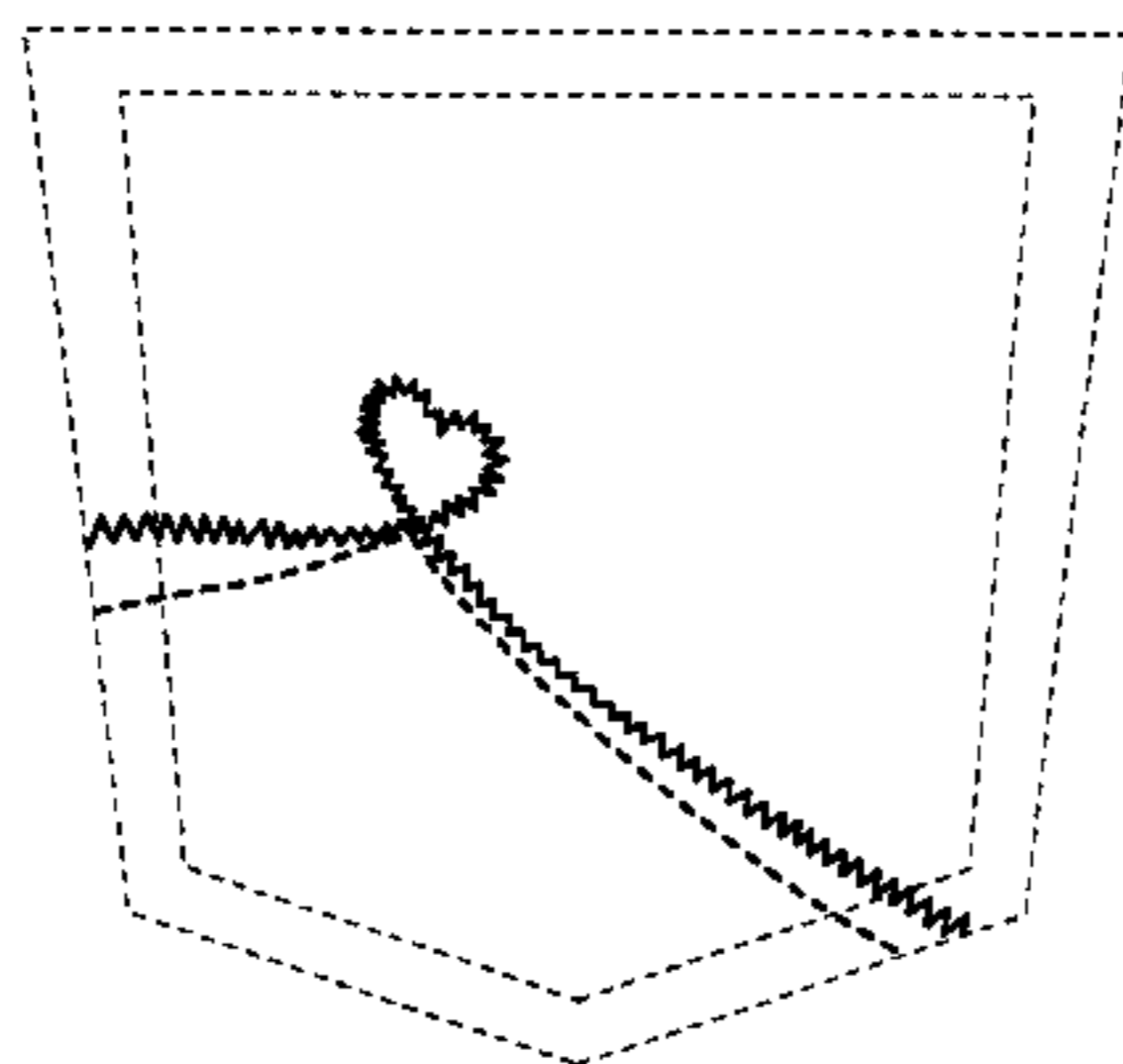
FIG. 1 is a front elevational view of decorative stitching for a pocket showing my new design;
FIG. 2 is a right side elevational view thereof;
FIG. 3 is a left side elevational view thereof;
FIG. 4 is a front elevational view of a second embodiment; and,
FIG. 5 is a front elevational view of a third embodiment.
The heavier broken lines shown on the surface of the pocket in FIGS. 1–5 represent stitching.
The broken line showing of the clothing pocket is for illustrative purposes only and forms no part of the claimed design.

2,718,640	A	*	9/1955	Suckle	2/243.1
2,937,380	A	*	5/1960	Reese	112/440
D259,820	S	*	7/1981	Heinfling	D2/857
D261,320	S	*	10/1981	Heinfling	D2/857
D278,375	S	*	4/1985	Heinfling	D2/857
D278,377	S	*	4/1985	Heinfling	D2/857
D278,378	S	*	4/1985	Heinfling	D2/857
D278,379	S	*	4/1985	Heinfling	D2/857
6,752,075	B2	*	6/2004	Ciaramitaro et al.	101/33

FOREIGN PATENT DOCUMENTS

GB	2045377	*	6/1995
GB	3016435	*	4/2004

1 Claim, 2 Drawing Sheets



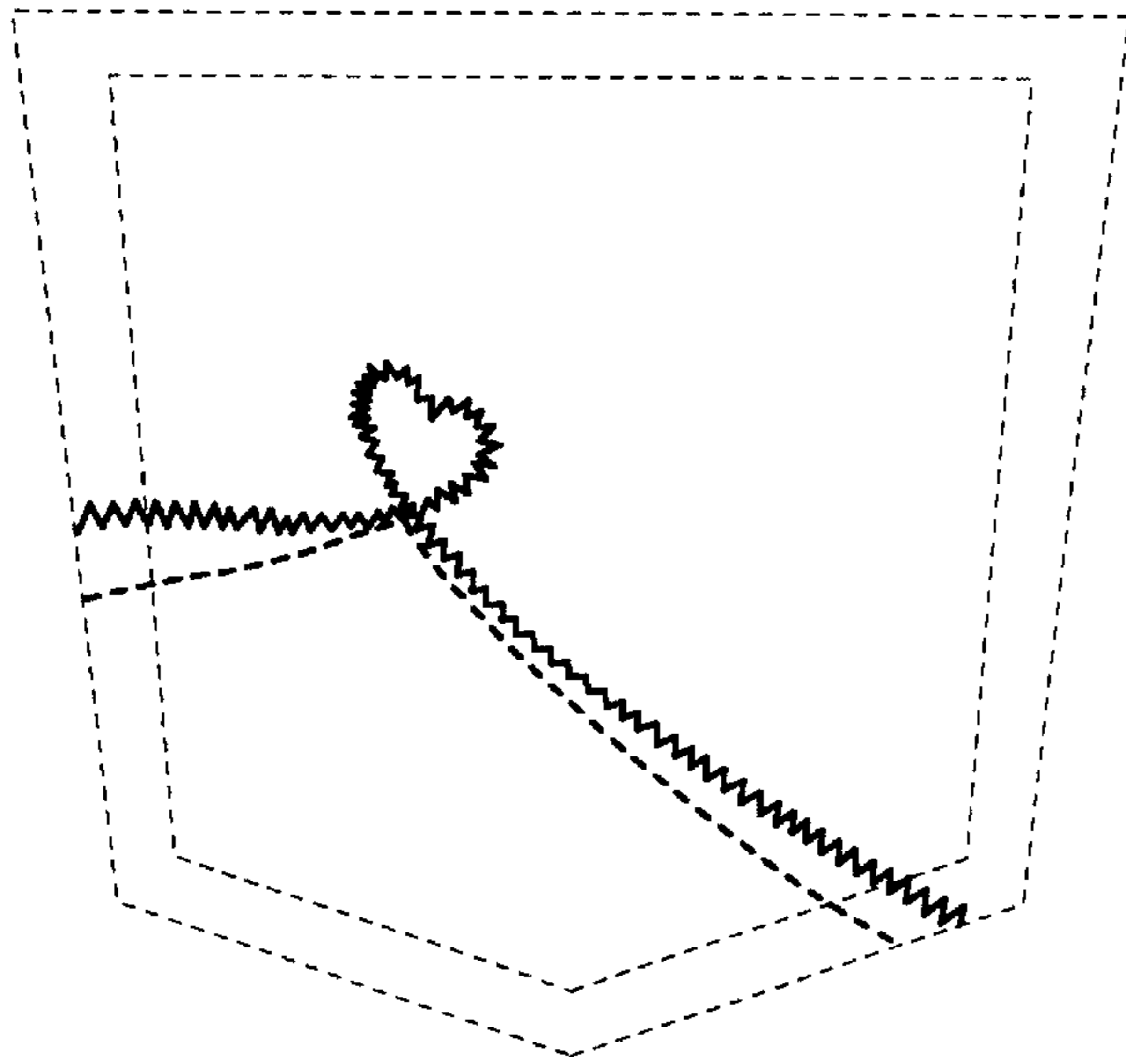


FIG. 1



FIG. 2



FIG. 3

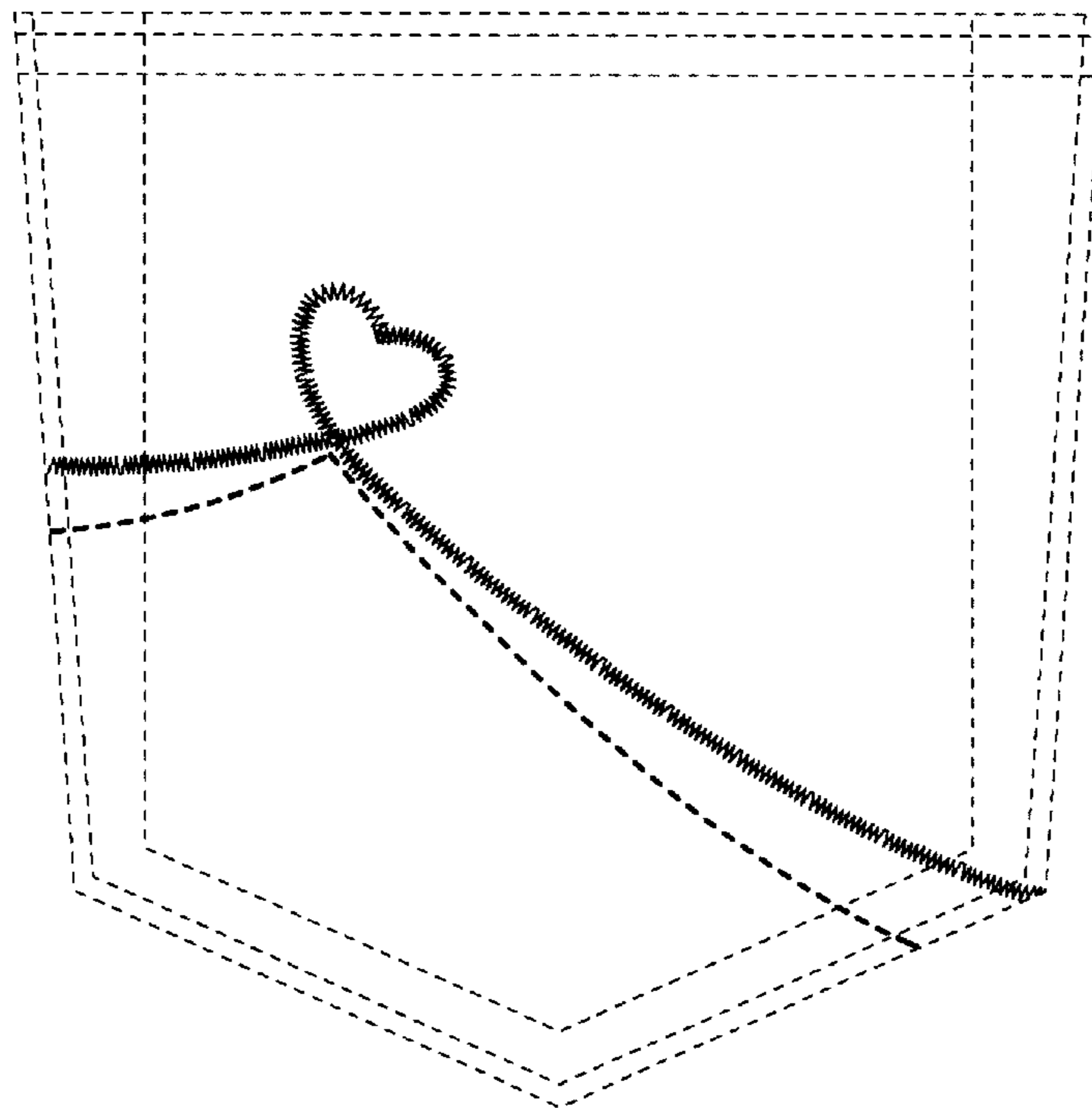


FIG. 4

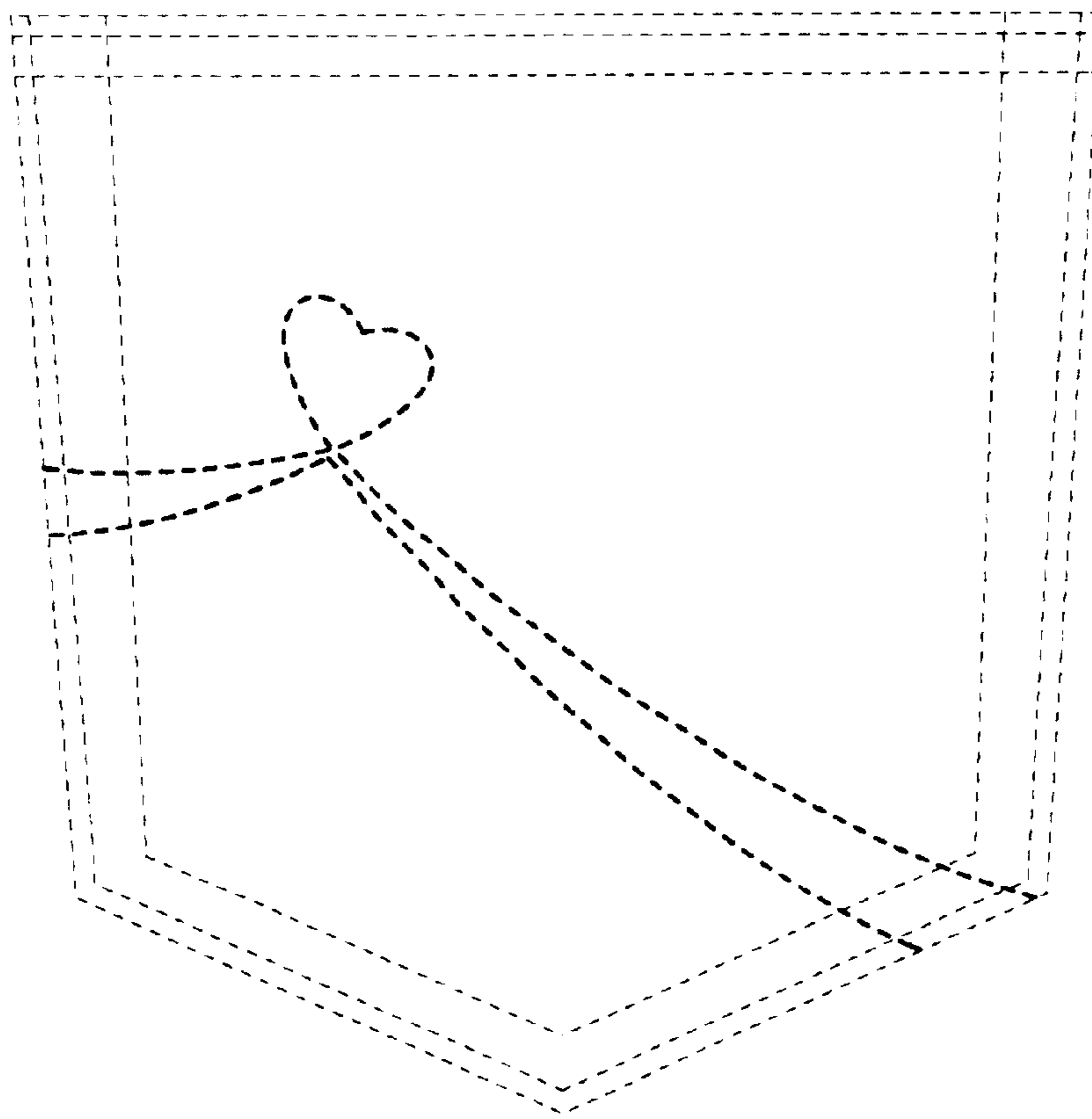


FIG. 5