



US00D537227S

(12) **United States Design Patent**
Ruppert

(10) **Patent No.:** **US D537,227 S**

(45) **Date of Patent:** **** Feb. 20, 2007**

(54) **APRON CAP FOR A PALLET TRUCK**

(75) Inventor: **Adam M. Ruppert**, Wapakoneta, OH (US)

(73) Assignee: **Crown Equipment Corporation**, New Bremen, OH (US)

(**) Term: **14 Years**

(21) Appl. No.: **29/227,180**

(22) Filed: **Apr. 7, 2005**

(51) **LOC (8) Cl.** **12-05**

(52) **U.S. Cl.** **D34/35**

(58) **Field of Classification Search** D34/34,
D34/35, 28; 180/89.12, 89.14, 89.17, 19.1,
180/313; 280/43.12, 43.23

See application file for complete search history.

(56) **References Cited**

U.S. PATENT DOCUMENTS

3,026,089	A	*	3/1962	Meister	280/43.12
3,286,985	A	*	11/1966	Edera	254/2 B
3,843,147	A	*	10/1974	Fredricson	280/43.12
3,982,767	A	*	9/1976	Larsson et al.	280/43.12
4,223,901	A	*	9/1980	Klemick	280/43.12
4,589,669	A	*	5/1986	Kedem	280/43.12
D401,034	S	*	11/1998	Marcel	D34/28
D401,716	S	*	11/1998	Marcel	D34/34
D419,741	S	*	1/2000	Johansson	D34/28
D450,200	S	*	11/2001	Lowe	D6/411
D455,989	S	*	4/2002	Conway	D12/185
D499,522	S	*	12/2004	Ryan et al.	D34/35

OTHER PUBLICATIONS

Crown Advertisement brochure No. SF 12208 Rev. Oct. 2002 entitled Crown PTH 50 Series. Photo of ROBUR hand pallet trucks.

Picture of CE hand pallet truck.
BT Lifter brochure and photographs for Models L200 Inox and L2000.
Photo of Atlet hand pallet truck.
Photos of Easylift Bolzoni hand pallet truck.

(Continued)

Primary Examiner—Cynthia E. Ramirez
(74) *Attorney, Agent, or Firm*—Steven & Showalter LLP

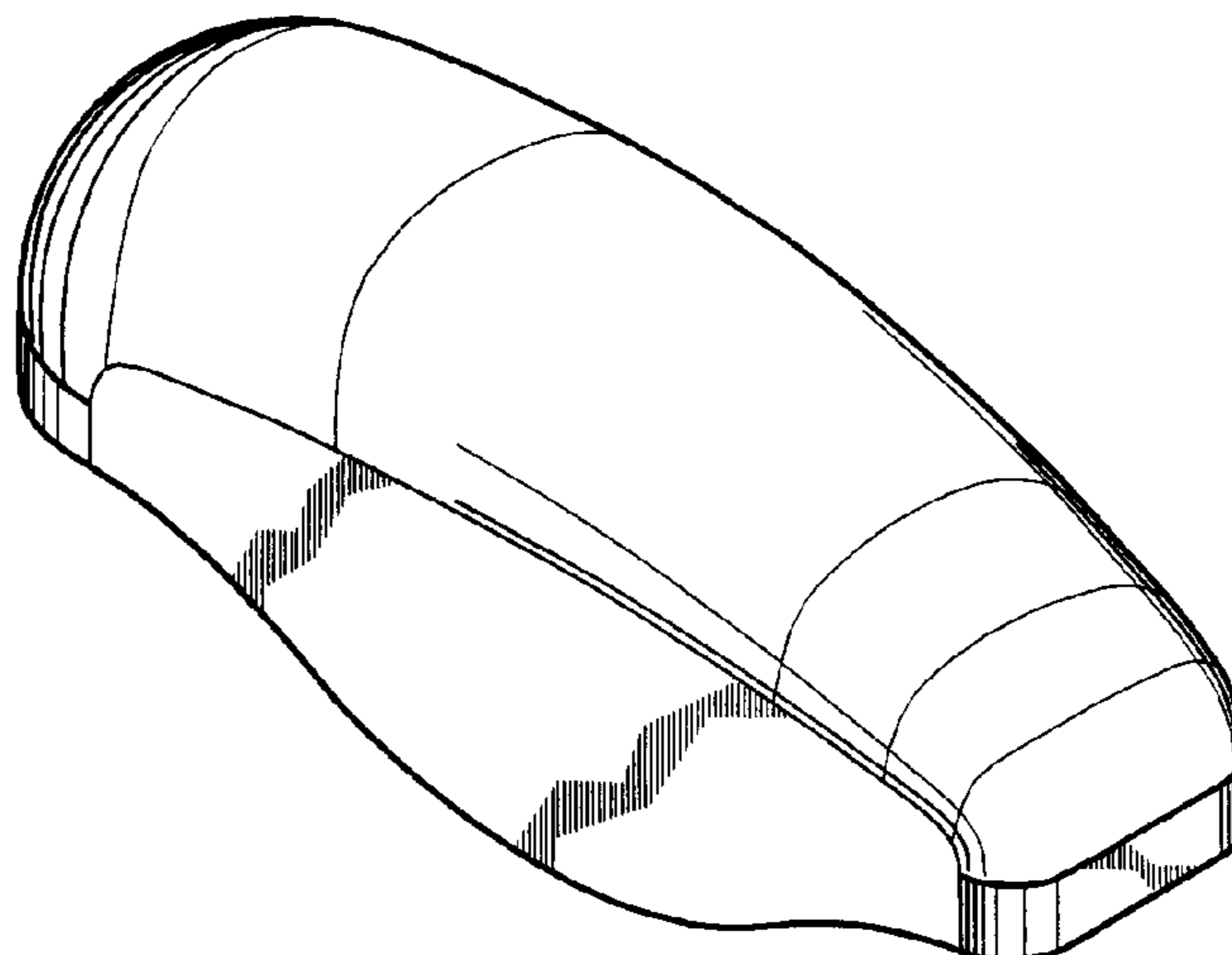
(57) **CLAIM**

The ornamental design for an apron cap for a pallet truck, as shown and described.

DESCRIPTION

FIG. 1 is an isometric view of an apron cap for a pallet truck taken from the left front showing my new design;
FIG. 2 is an isometric view of the apron cap taken from the bottom, left rear of the apron cap;
FIG. 3 is an elevational view of the back of the apron cap;
FIG. 4 is an elevational view of the front of the apron cap;
FIG. 5 is a plan view of the top of the apron cap;
FIG. 6 is an elevational view of the left side of the apron cap, with the right side view being a mirror image of the left side view;
FIG. 7 is a plan view of the bottom of the apron cap;
FIG. 8 is an isometric view of the apron cap taken from the left rear of a pallet truck on which the apron cap is installed to illustrate the use environment of the apron cap; and,
FIG. 9 is an isometric view of the apron cap taken from the left front of a pallet truck on which the apron cap is installed again illustrating the use environment of the apron cap.
The broken line showing of a pallet truck in FIGS. 8 and 9 is included for the purpose of illustrating and forms no part of the claimed design.

1 Claim, 2 Drawing Sheets



OTHER PUBLICATIONS

Photo of Hyster hand pallet truck.
 Carreffe Truck pallet truck manual.
 Carreffe high lift pallet trucks.
 Despa pallet truck brochure/showing.
 Specifications and photos of Genkinger pallet trucks.
 Photos of Carreffe weighing pallet truck.
 EP Hand Pallet Truck Specifications.
 EP Hand Pallet Truck photos.
 EP High Lift Hand Pallet Truck Specifications.
 Hyster PME2.0-PMQ2.2 Hand pallet trucks specification.
 Jungheinrich Hand Pallet Truck AM 2200 brochure.
 Jungheinrich AM 2200 Hand Pallet Truck (2200 kg) brochure.
 Jungheinrich AM 3000 Hand Pallet Truck brochure.
 Jungheinrich AMW 22.2/22.4 Hand Pallet Truck with weighing device brochure.
 Jungheinrich AMX/AMX-E scissors lift pallet truck brochure.
 Jungheinrich Scissor Lift Hand Pallet Truck AM 2000 X and AM 2000 XE brochure.
 Linde Tiller Pallet Trucks brochure.
 Linde Tiller-controlled Pallet Trucks brochure.
 Linde Hand Pallet Truck brochure.
 LOC hand pallet trucks.
 Logitrans Pallet Trucks brochure.
 Logitrans Pallet Trucks specifications.
 MIC advertisement brochure.
 Photos of Linde pallet trucks.
 Photos of MIC pallet trucks.
 MIC Hand Pallet Truck TM 22 advertisement brochure.
 MIC Hand Pallet Truck with integrated weighting system TMW 22.2/22.4 brochure.
 MIC Scissor Lift Hand Pallet Truck TMX 10 TMXE 10 brochure.
 Noblift Model AC Series Pallet Truck brochure.
 Pramac Hand Pallet Truck brochure.
 Rocia BF25 pallet truck brochure.
 Rocia TMA25 pallet truck brochure.
 Samag Hand Pallet Truck specifications.
 Still Hand Pallet Trucks HP Technical Data brochure for Models HP 22/30, HP 10X, HP 10XE.

Toyota Hand-Pallet Truck HT23 & HT23Q specifications.
 Toyota High Lift Electric Hand-Pallet Truck HTH10E.
 Toyota High Lift Hand-Pallet Truck HTH10M.
 Photo of Toyota hand pallet truck.
 Photo of Toyota hand pallet truck and wheels.
 Ningbo Ruyi Joint Stock Co., Ltd., XILIN BE Hydraulic Pallet Truck specifications.
 Ningbo Ruyi Joint Stock Co., Ltd., XILIN NF Hydraulic Pallet Truck specifications.
 Yale Hand Pallet Trucks Models HP20E Easy-Lift version and HP22QL Quick-Lift version specifications.
 Photo of Yale Quicklift pallet truck.
 Photos of BELET Holding Side Roller Pallet Truck and Quick Lift Pallet Truck.
 Photo of BELET Holding Model BH Low Pallet Truck Super-Lowered Lifting.
 BT brochure for HL 10/HLE 10 BT High Lifer.
 BT brochure for L23/L23Q/L30 BT Lifter.
 BT brochure for L 20 Stainless, HL/HLE 10 1, Handhubwagen L 20 Stainless, Scherenhubwagen HL/HLE INOX.
 BT brochure for weighing pallet truck.
 icern hand pallet trucks brochure.
 Magazine article on Incab/Hand-Hub Pallet Jack, pp. 24-27.
 Incab/Hoch-Hub brochure for Manuelle Versionen Manuell S-600, pp. 18-19.
 Incab/Scheren-Hub brochure for High Lift Manuell Elektrisch and Pallet Jack, pp. 28-31.
 Stöcklin NHR 2000 specification.
 Stöcklin SHR 2000-SF specification.
 Stöcklin SHR 2000 specification.
 Stöcklin SHR 2000-WAAGE specification.
 Stöcklin SHR 2000-INOX specification.
 Photo page of Deichsel-Hubwagen—Stand-/Sitz-Hubwagen-Kommissionierer Handhubwagen models SHR 2000, SHR 2000-Silent, SHR 2000-Frosty, SHR 2000-Waage, SHR 2000 SF, SHR 3000, SHR 2000-INOX, NHR 2000, Deichsel-Hubwagen.
 Photos of Linde Pallet Truck.

* cited by examiner

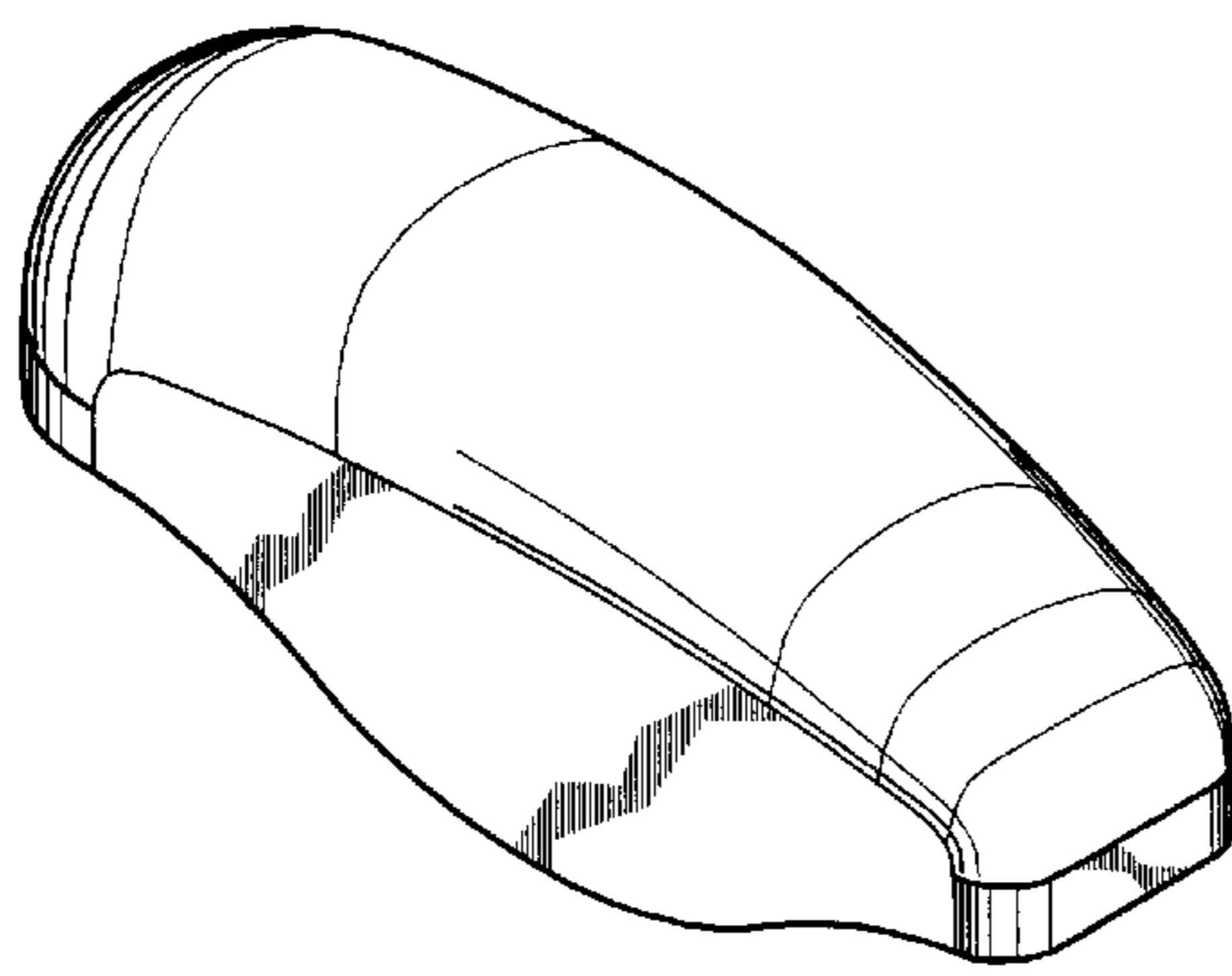


FIG. 1

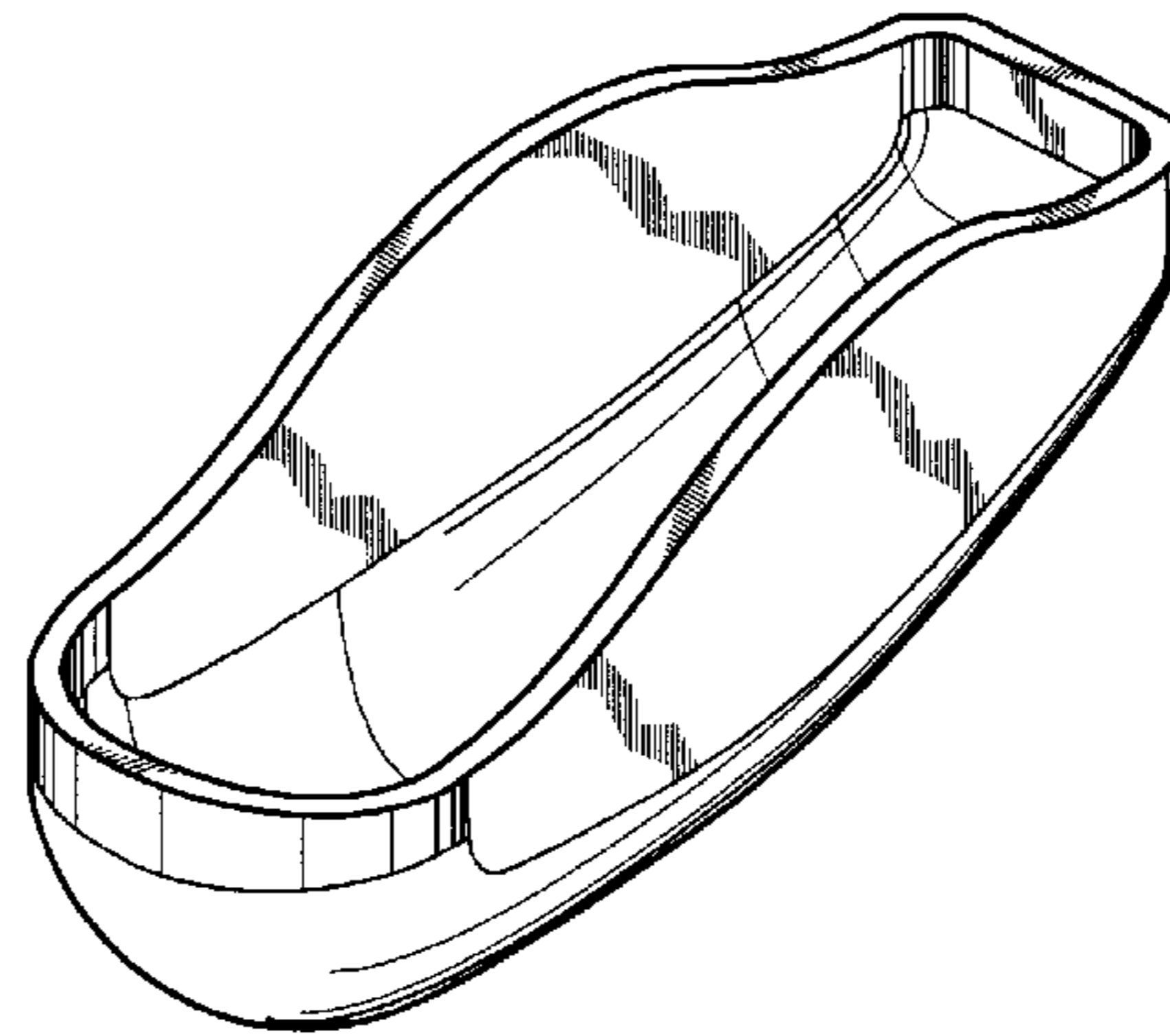


FIG. 2

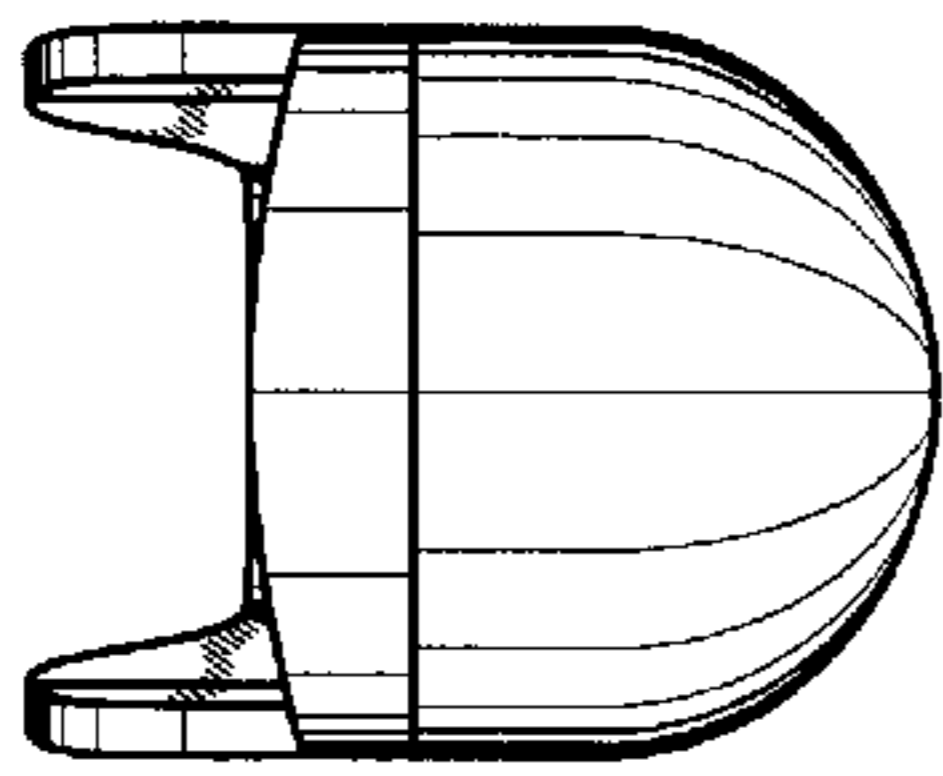


FIG. 3

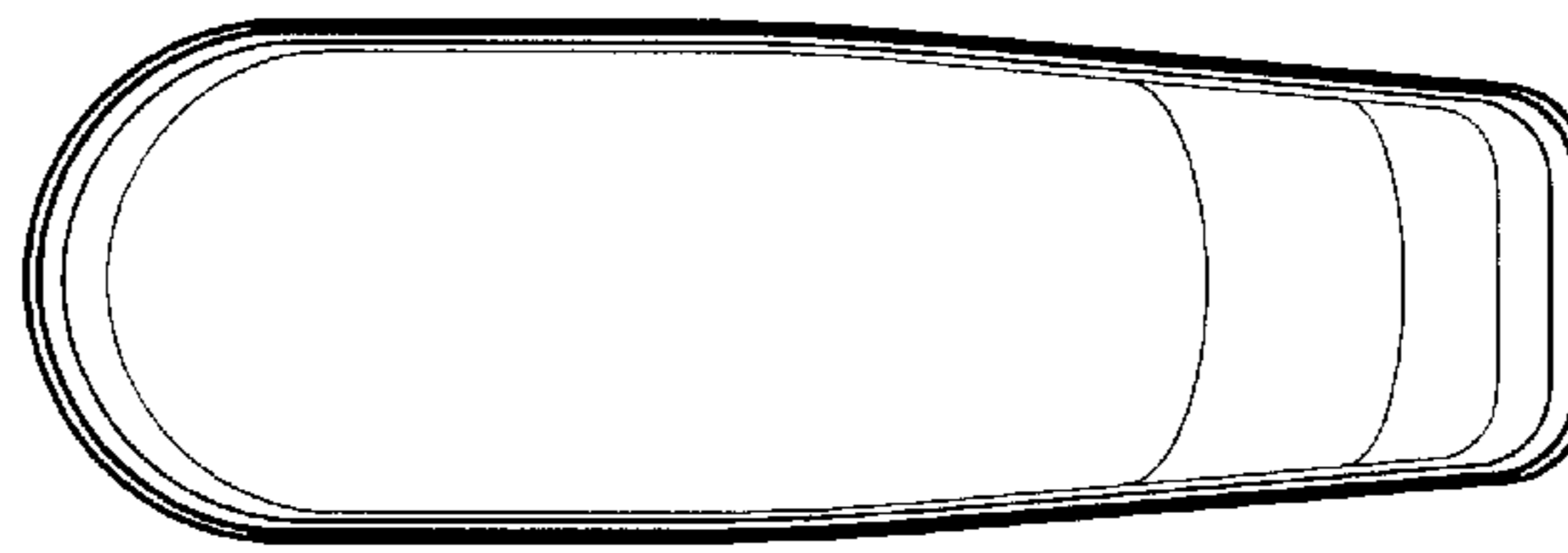


FIG. 5

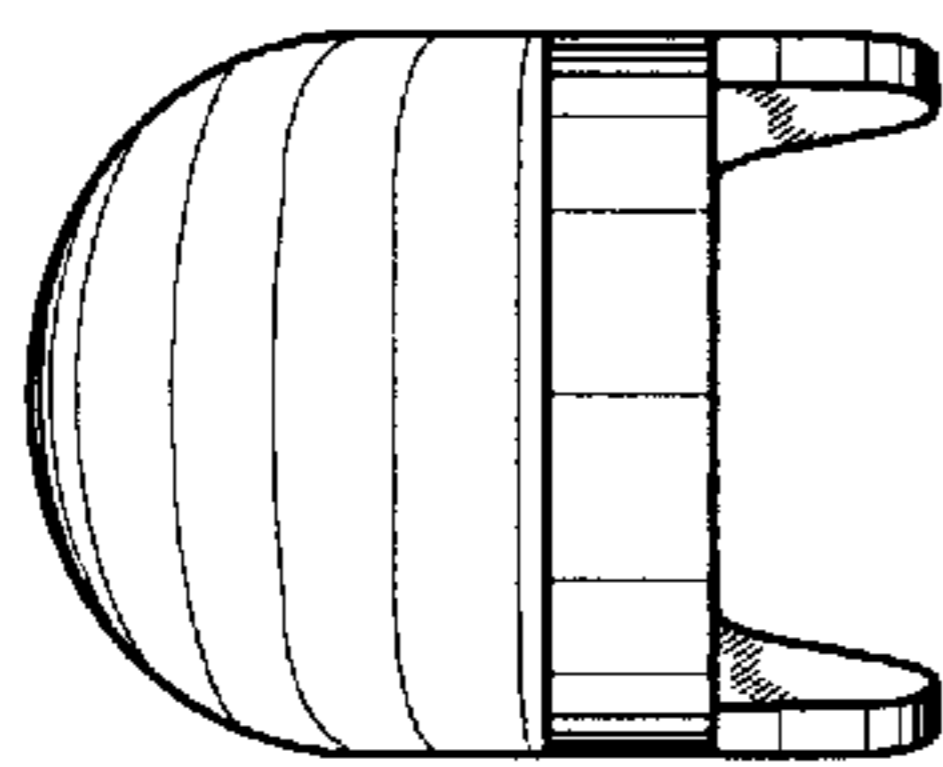


FIG. 4

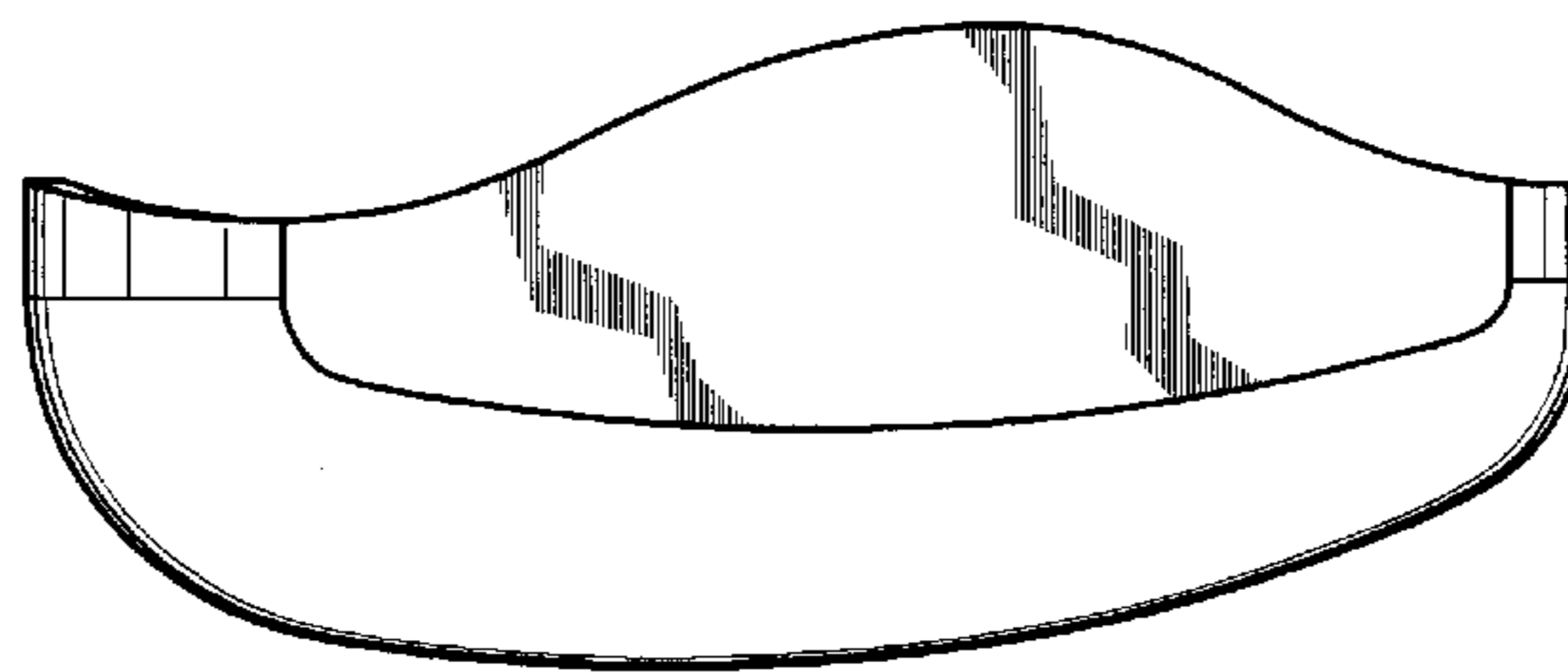


FIG. 6

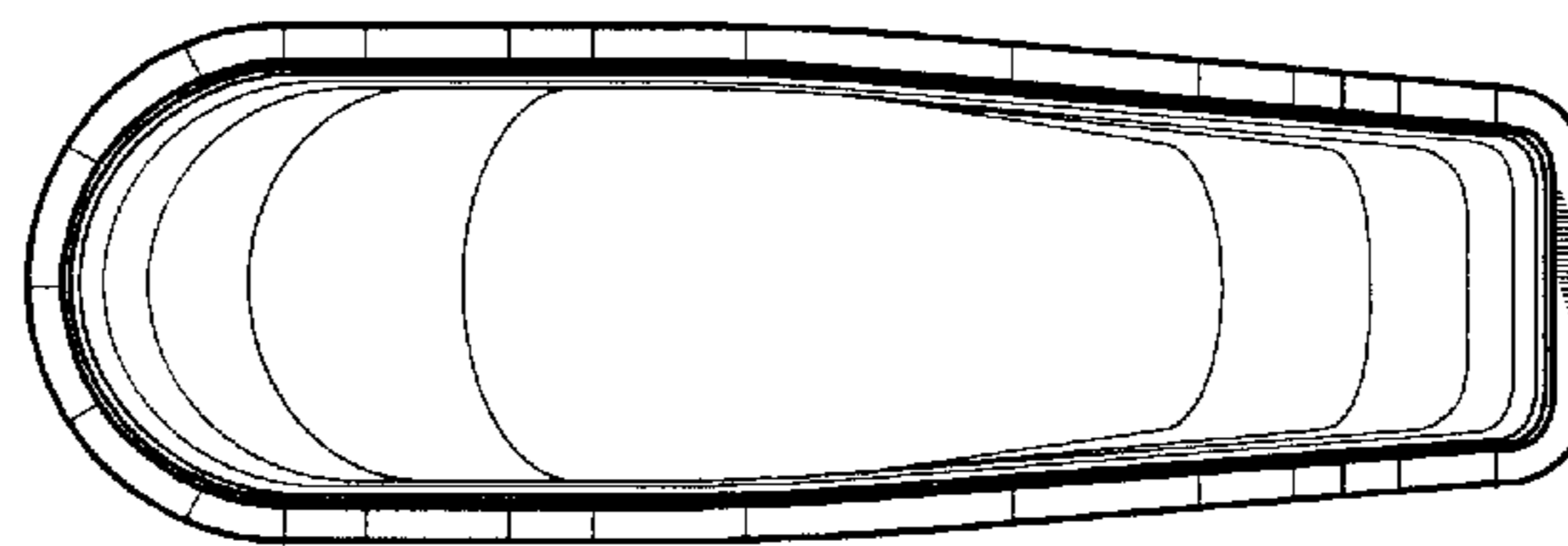


FIG. 7

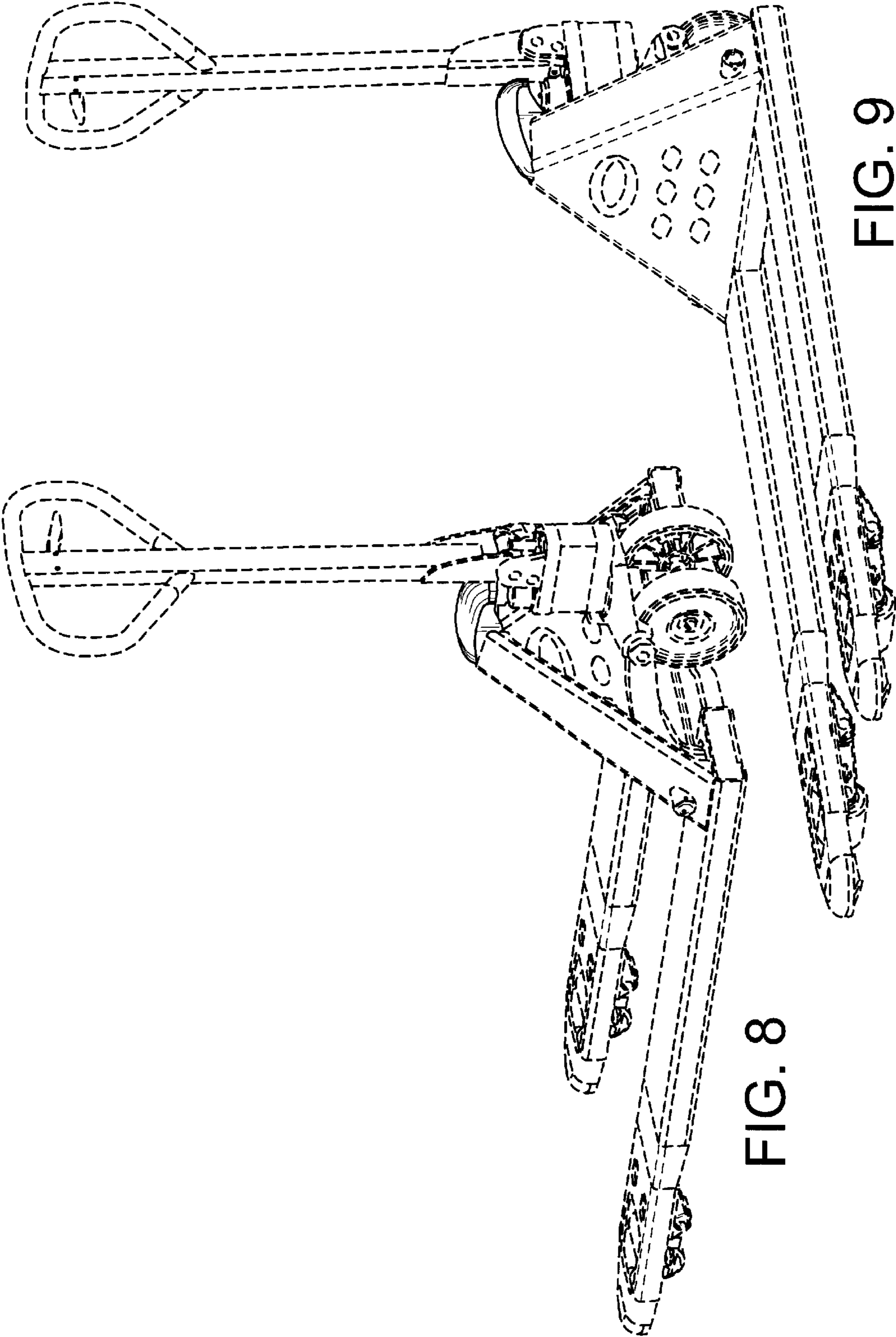


FIG. 8

FIG. 9