



US00D537226S

(12) **United States Design Patent**  
**Niebuhr**

(10) **Patent No.:** **US D537,226 S**

(45) **Date of Patent:** **\*\* Feb. 20, 2007**

(54) **FORKLIFT TRUCK**

(75) Inventor: **Michael Niebuhr**, Barteheide (DE)

(73) Assignee: **Jungheinrich Aktiengesellschaft**,  
Hamburg (DE)

(\*\*) Term: **14 Years**

(21) Appl. No.: **29/191,594**

(22) Filed: **Oct. 10, 2003**

(51) **LOC (8) Cl.** ..... **12-05**

(52) **U.S. Cl.** ..... **D34/34**

(58) **Field of Classification Search** ..... D34/34,  
D34/37, 28; 280/402; 180/89.12; 414/679,  
414/680; 187/222, 226, 237, 238  
See application file for complete search history.

(56) **References Cited**

**U.S. PATENT DOCUMENTS**

|           |   |   |         |                |       |         |
|-----------|---|---|---------|----------------|-------|---------|
| 3,587,784 | A | * | 6/1971  | Talt           | ..... | 187/226 |
| D222,694  | S | * | 12/1971 | Goodacre       | ..... | D34/34  |
| D313,100  | S | * | 12/1990 | Soederberg     | ..... | D34/28  |
| 5,501,297 | A | * | 3/1996  | Josephs        | ..... | 187/222 |
| D370,761  | S | * | 6/1996  | Stark          | ..... | D34/34  |
| D407,176  | S | * | 3/1999  | Henshaw et al. | ..... | D34/34  |

|           |   |   |         |                |       |         |
|-----------|---|---|---------|----------------|-------|---------|
| D407,177  | S | * | 3/1999  | Henshaw et al. | ..... | D34/34  |
| 5,890,562 | A | * | 4/1999  | Bartels et al. | ..... | 187/224 |
| 6,089,353 | A | * | 7/2000  | Bartels et al. | ..... | 187/224 |
| D440,373  | S | * | 4/2001  | Meinhardt      | ..... | D34/34  |
| D480,858  | S | * | 10/2003 | Sellar         | ..... | D34/34  |

\* cited by examiner

*Primary Examiner*—Cynthia E. Ramirez

(74) *Attorney, Agent, or Firm*—Vidas, Arrett & Steinkraus,  
P.A.

(57) **CLAIM**

The ornamental design for a forklift truck, as shown and described.

**DESCRIPTION**

FIG. 1 is a left view of my forklift truck showing my new design;

FIG. 2 is a right view;

FIG. 3 is a front view;

FIG. 4 is a rear view;

FIG. 5 is a top view; and,

FIG. 6 is a bottom view.

The portions of the forklift truck shown in broken lines in the figures are for illustrative purposes only and form no part of the claimed design.

**1 Claim, 6 Drawing Sheets**

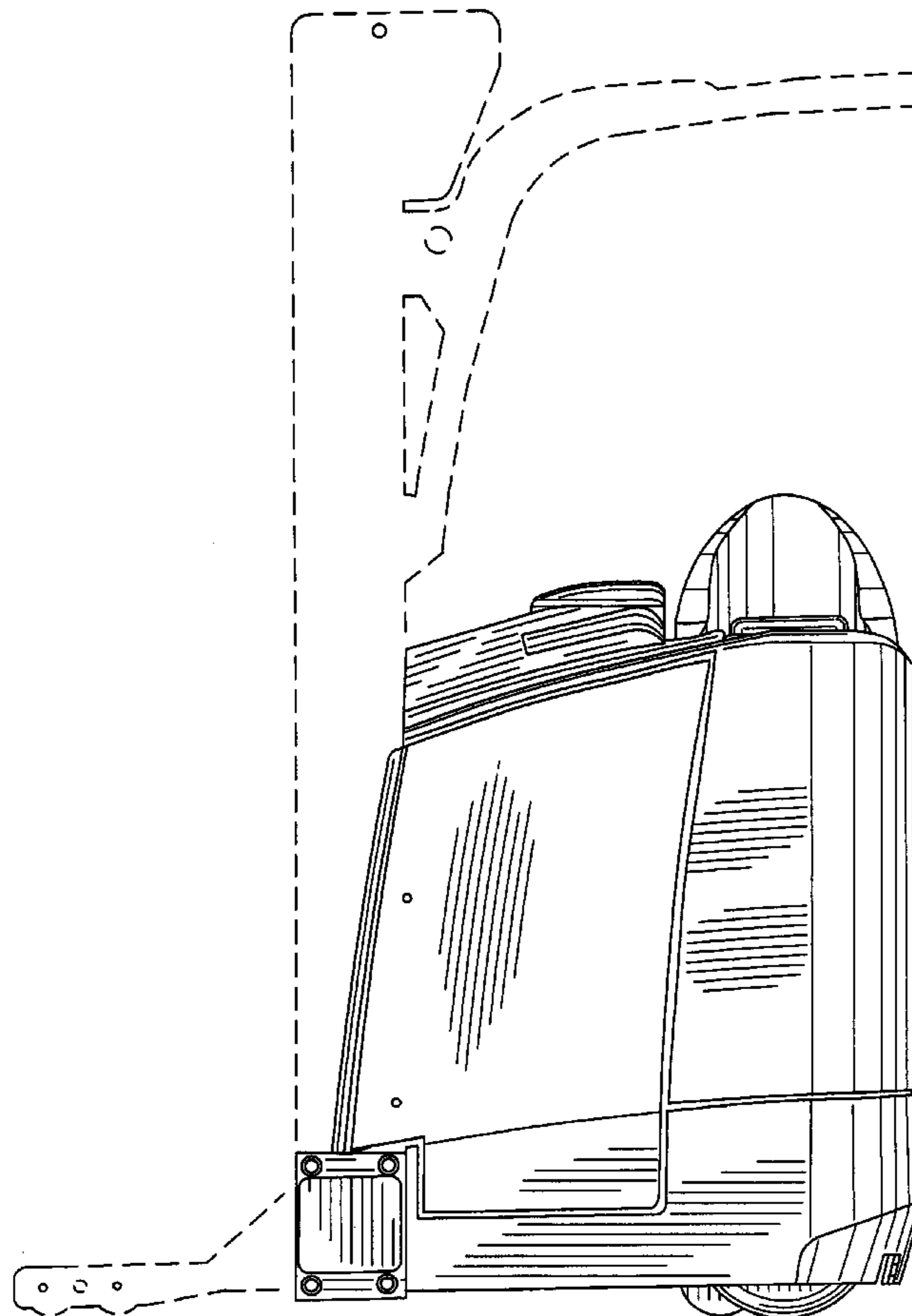


FIG. 1

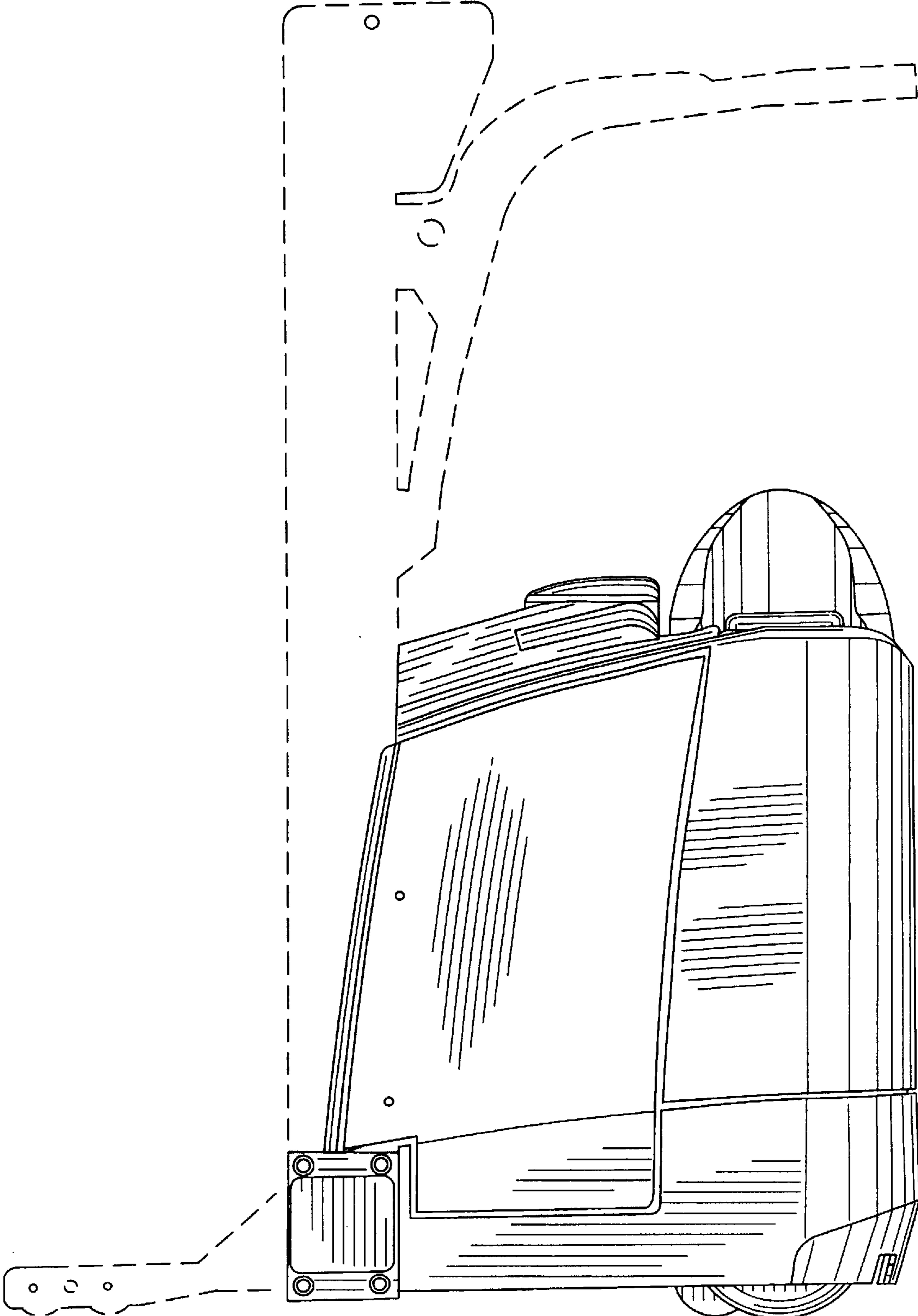


FIG.2

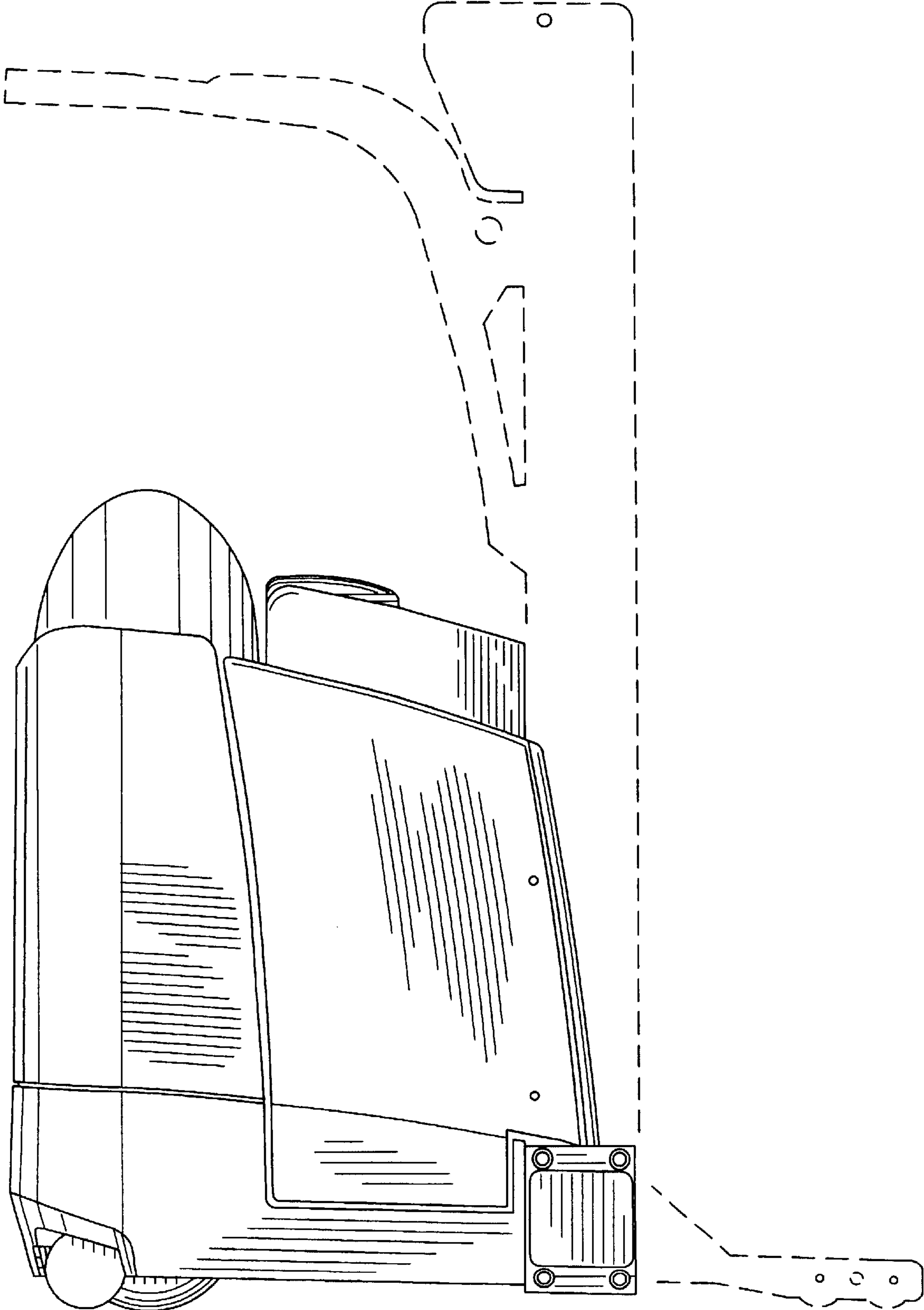


FIG.3

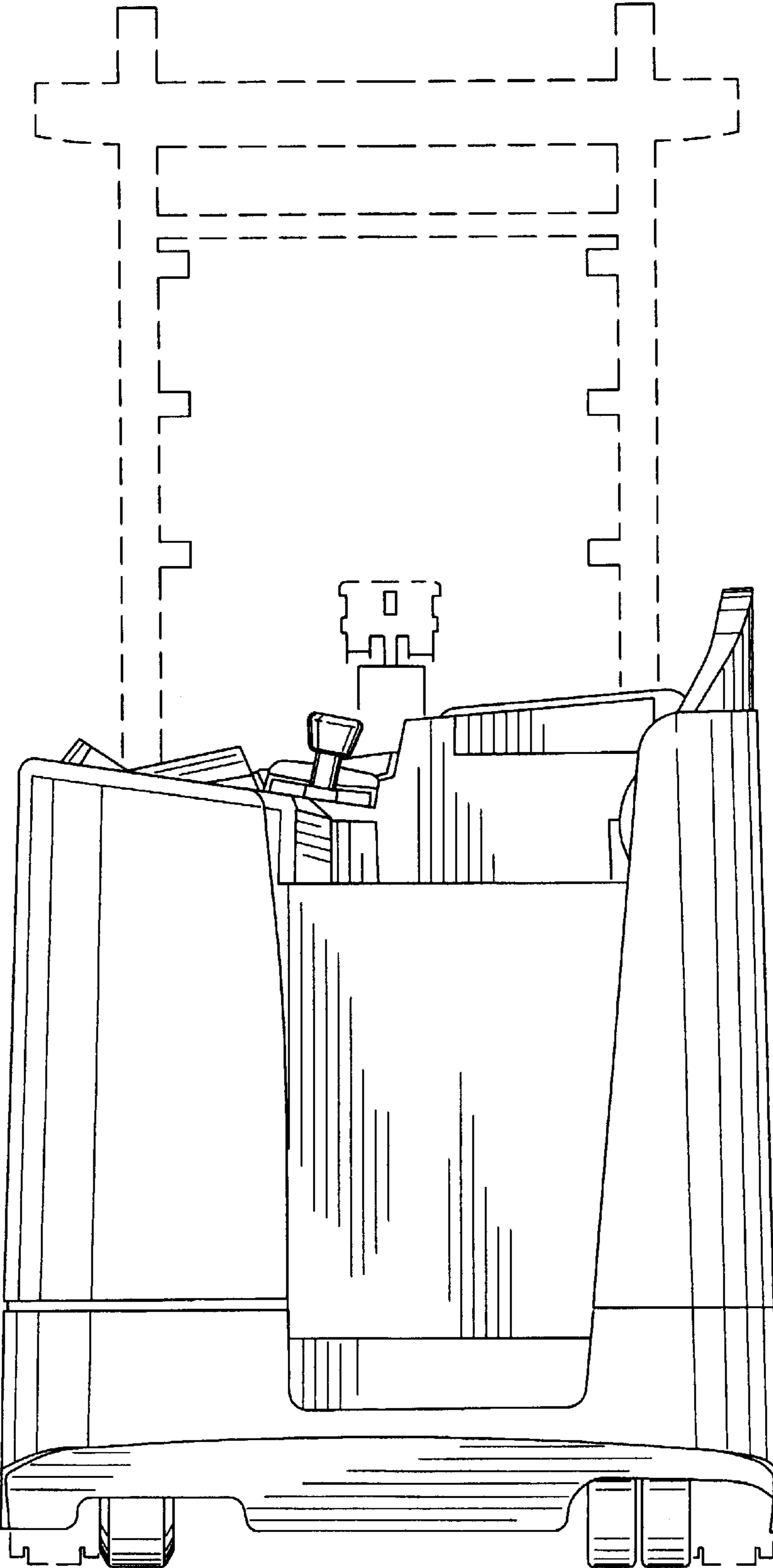


FIG. 4

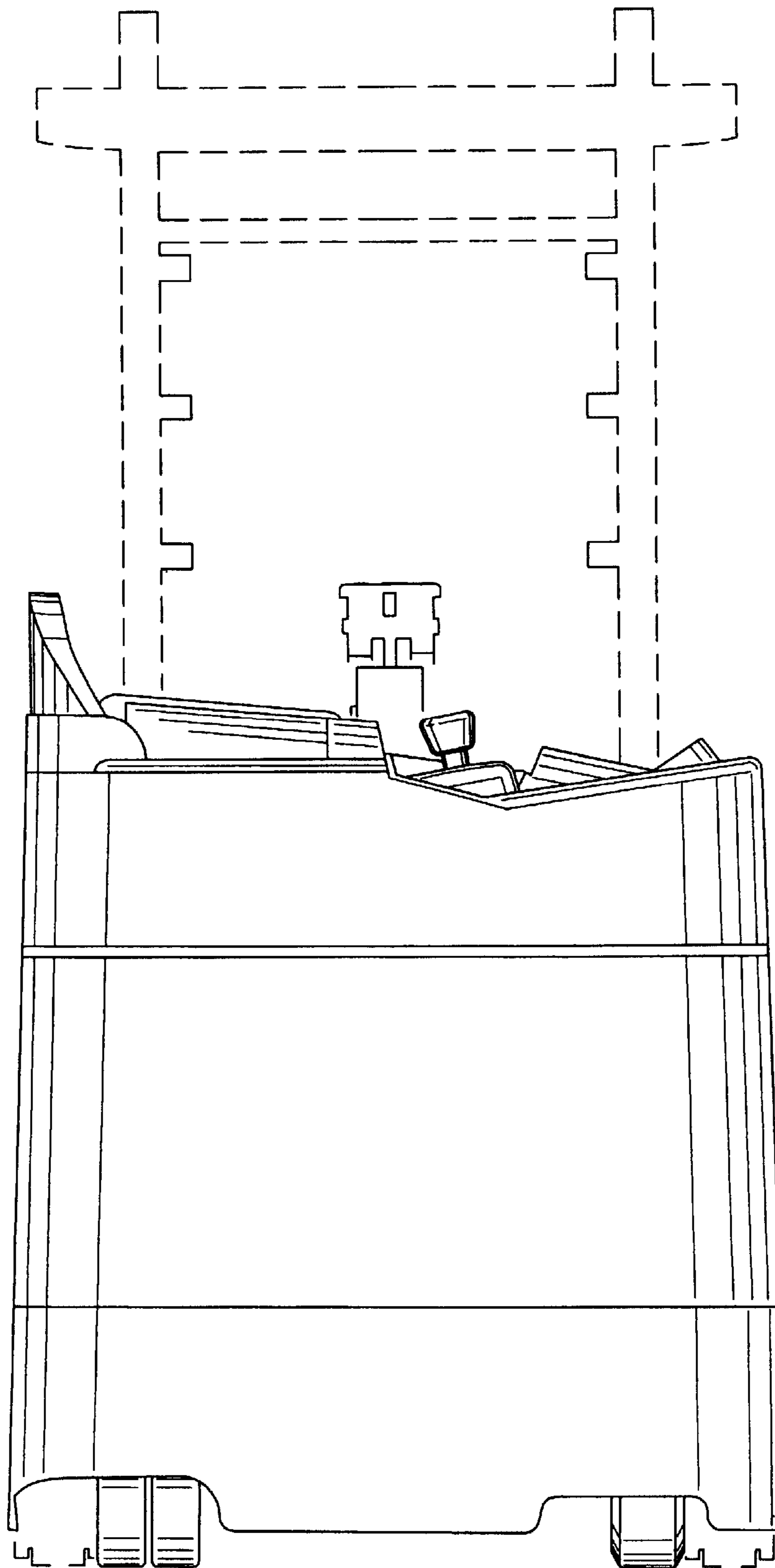


FIG. 5

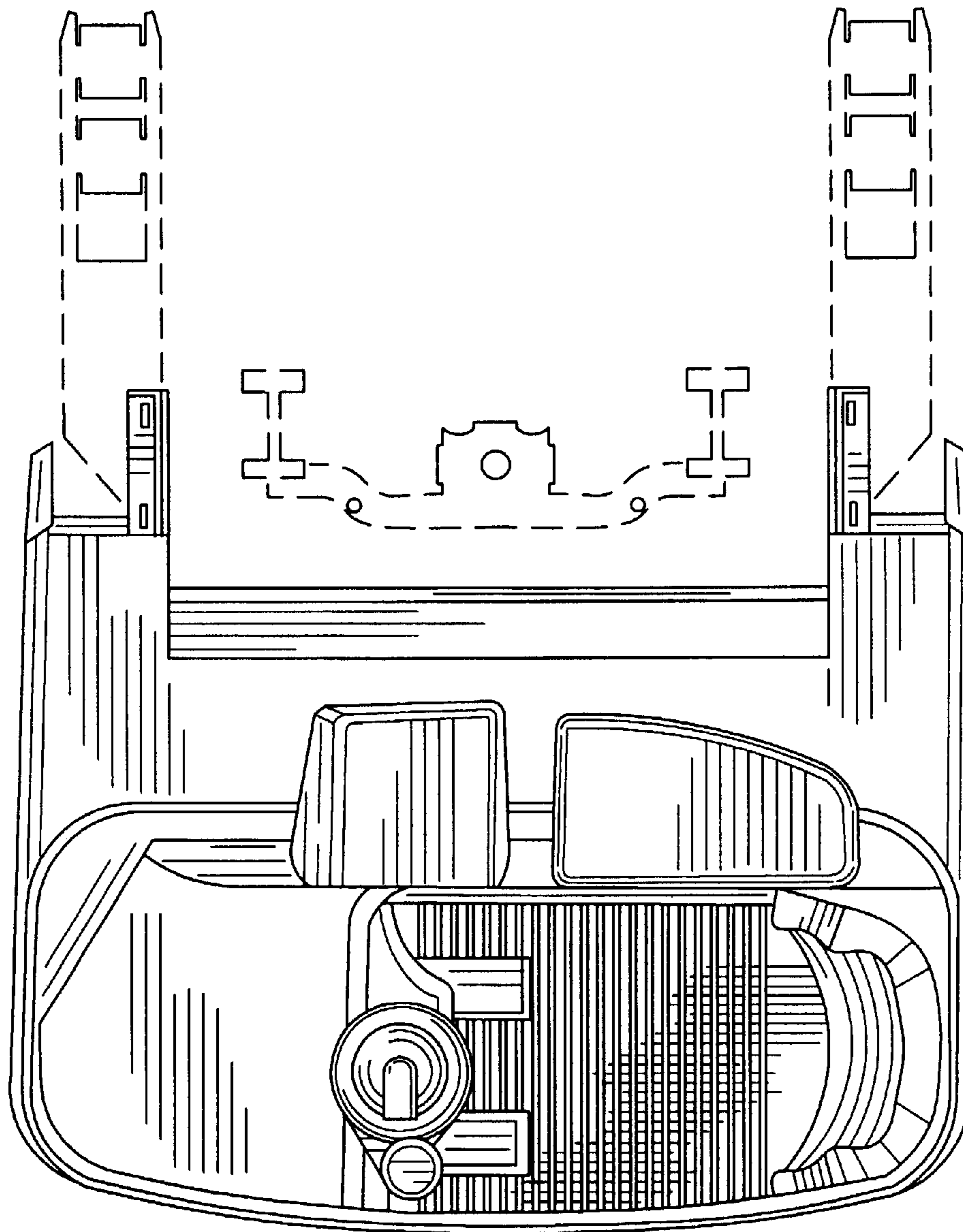


FIG. 6

