



US00D537224S

(12) **United States Design Patent**
Chen

(10) **Patent No.:** **US D537,224 S**

(45) **Date of Patent:** **** Feb. 20, 2007**

(54) **GARBAGE BIN**

2003/0230576 A1 * 12/2003 Lin 220/263
2004/0016756 A1 * 1/2004 Lin 220/263

(75) Inventor: **Jian Ping Chen**, Jiangmen (CN)

* cited by examiner

(73) Assignee: **Jiangmen Goodyear Appliances Mfg. Ltd.**, Guangdong Province (CN)

Primary Examiner—Cynthia E. Ramirez
(74) *Attorney, Agent, or Firm*—Rabin & Berdo, P.C.

(**) Term: **14 Years**

(57) **CLAIM**

(21) Appl. No.: **29/233,744**

The ornamental design for a garbage bin, as shown and described.

(22) Filed: **Jul. 11, 2005**

DESCRIPTION

(51) **LOC (8) Cl.** **09-09**

(52) **U.S. Cl.** **D34/9**

(58) **Field of Classification Search** D34/1,
D34/5, 6, 7, 8, 9, 10, 11; 220/262–264, 908
See application file for complete search history.

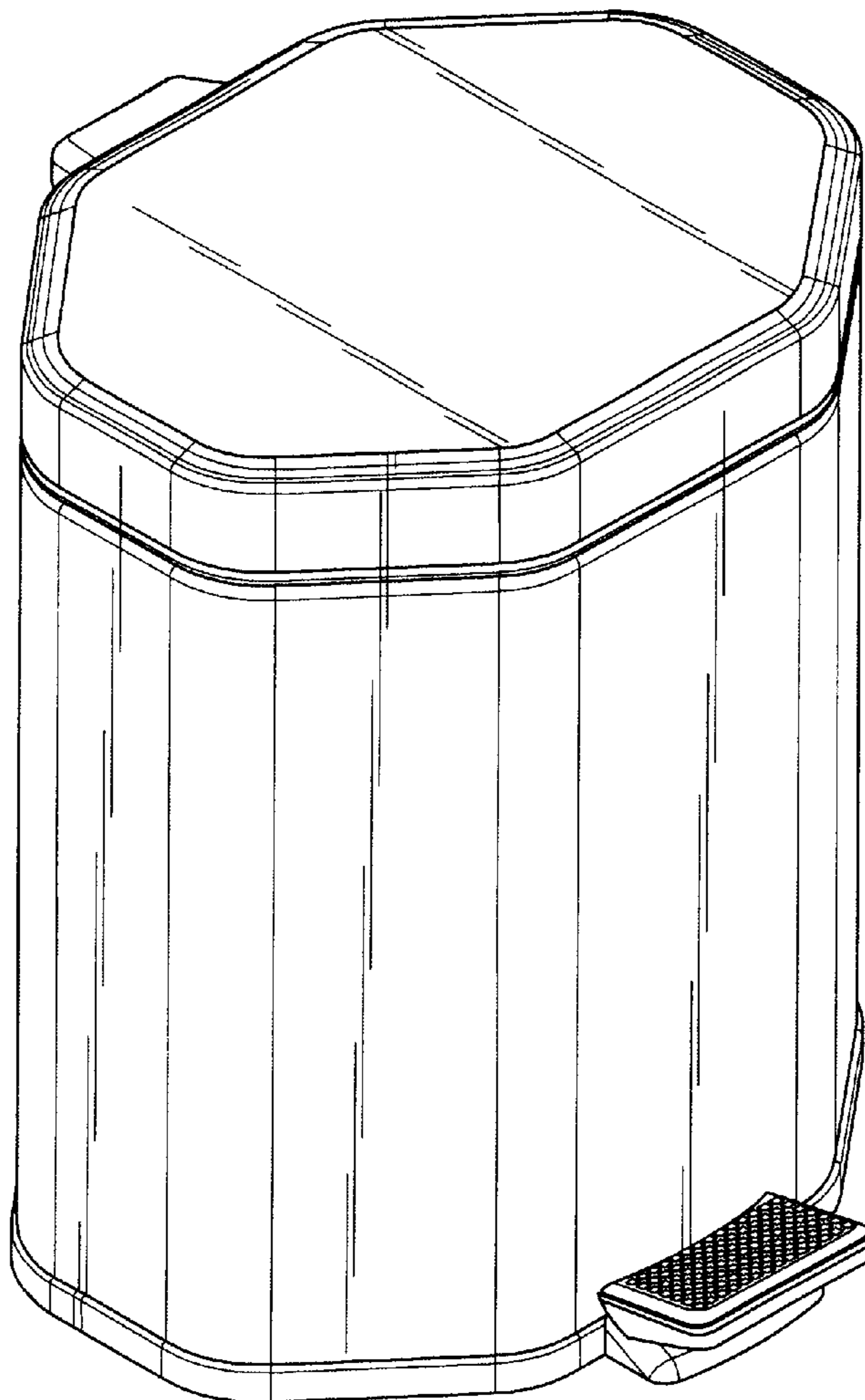
FIG. 1 is a perspective view of a garbage bin showing my new design;
FIG. 2 is a front view thereof;
FIG. 3 is a rear view thereof;
FIG. 4 is a left side view thereof;
FIG. 5 is a right side view thereof;
FIG. 6 is a top end view thereof; and,
FIG. 7 is a bottom end view thereof.

(56) **References Cited**

U.S. PATENT DOCUMENTS

D389,630 S * 1/1998 Meade, Jr. D34/1
D517,267 S * 3/2006 Lin D34/9

1 Claim, 4 Drawing Sheets



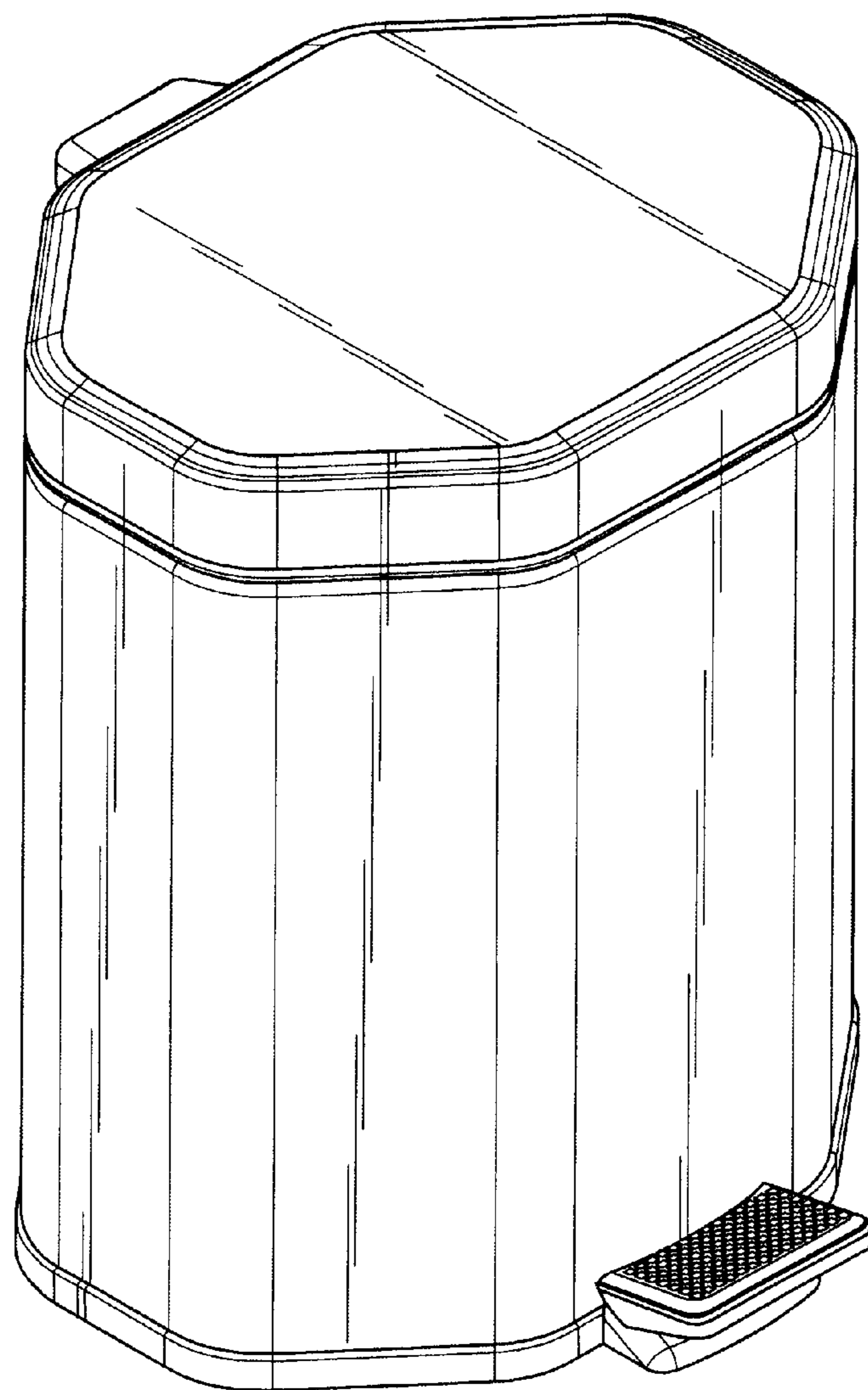


FIG. 1

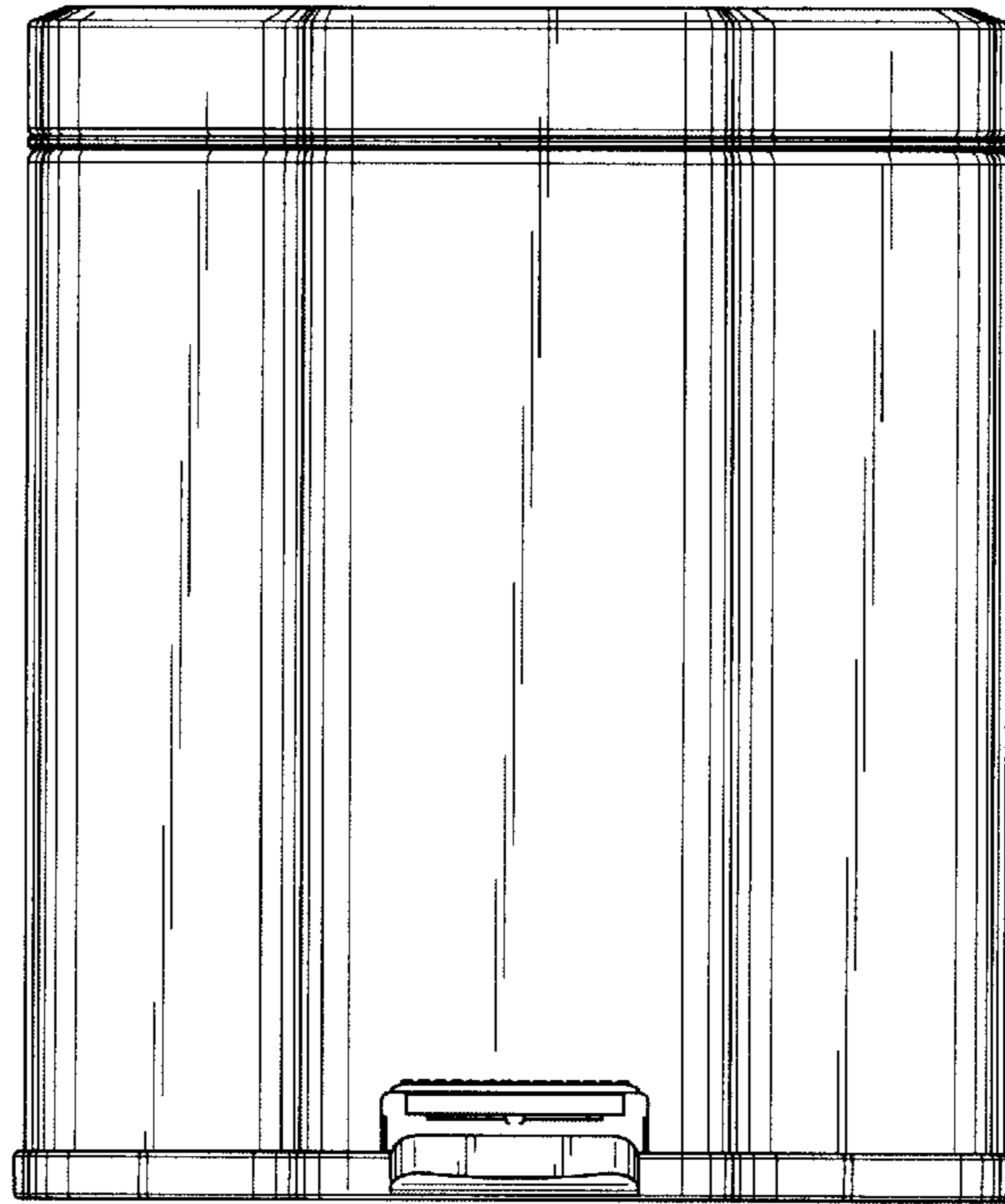


FIG. 2

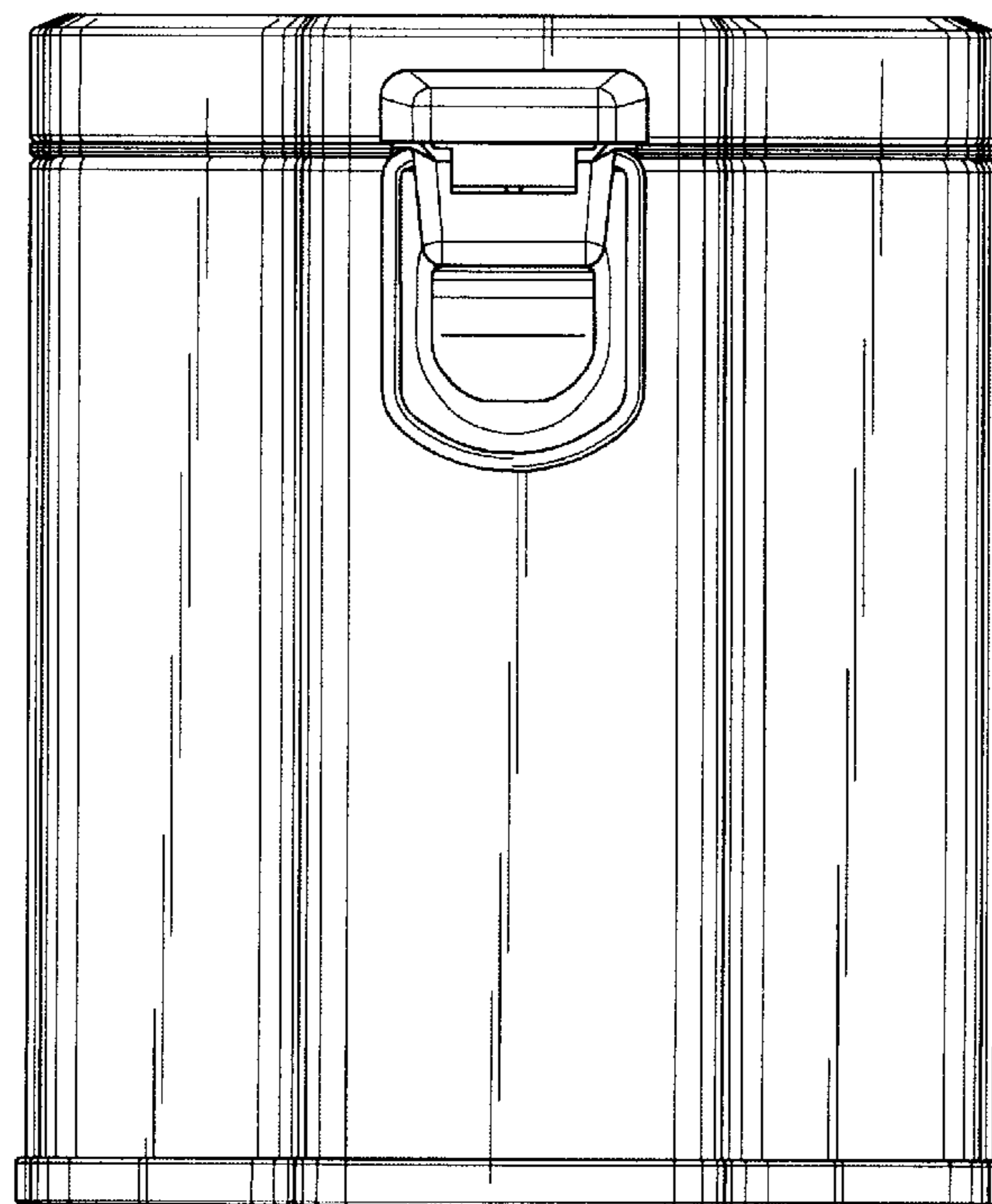


FIG. 3

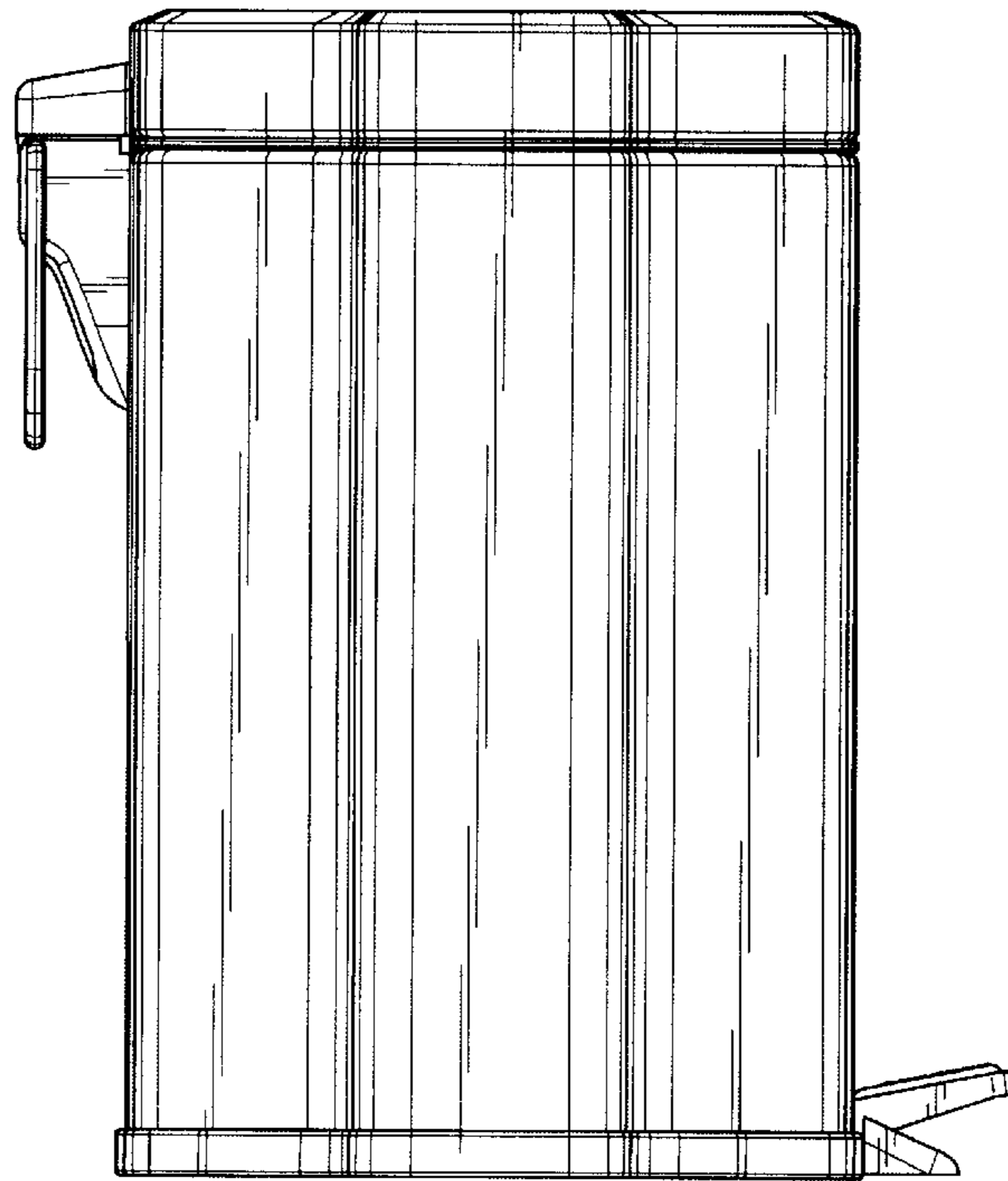


FIG. 4

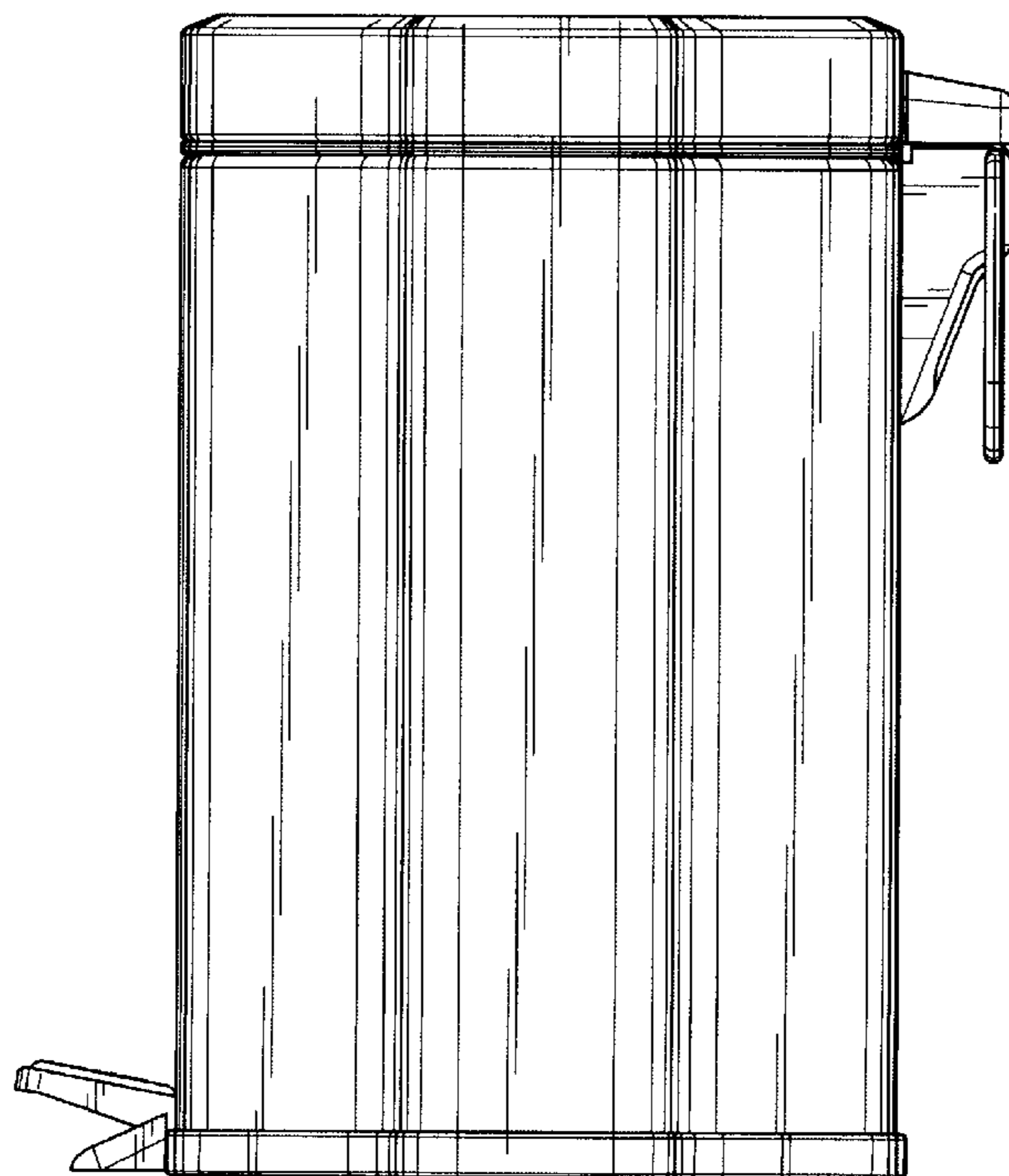


FIG. 5

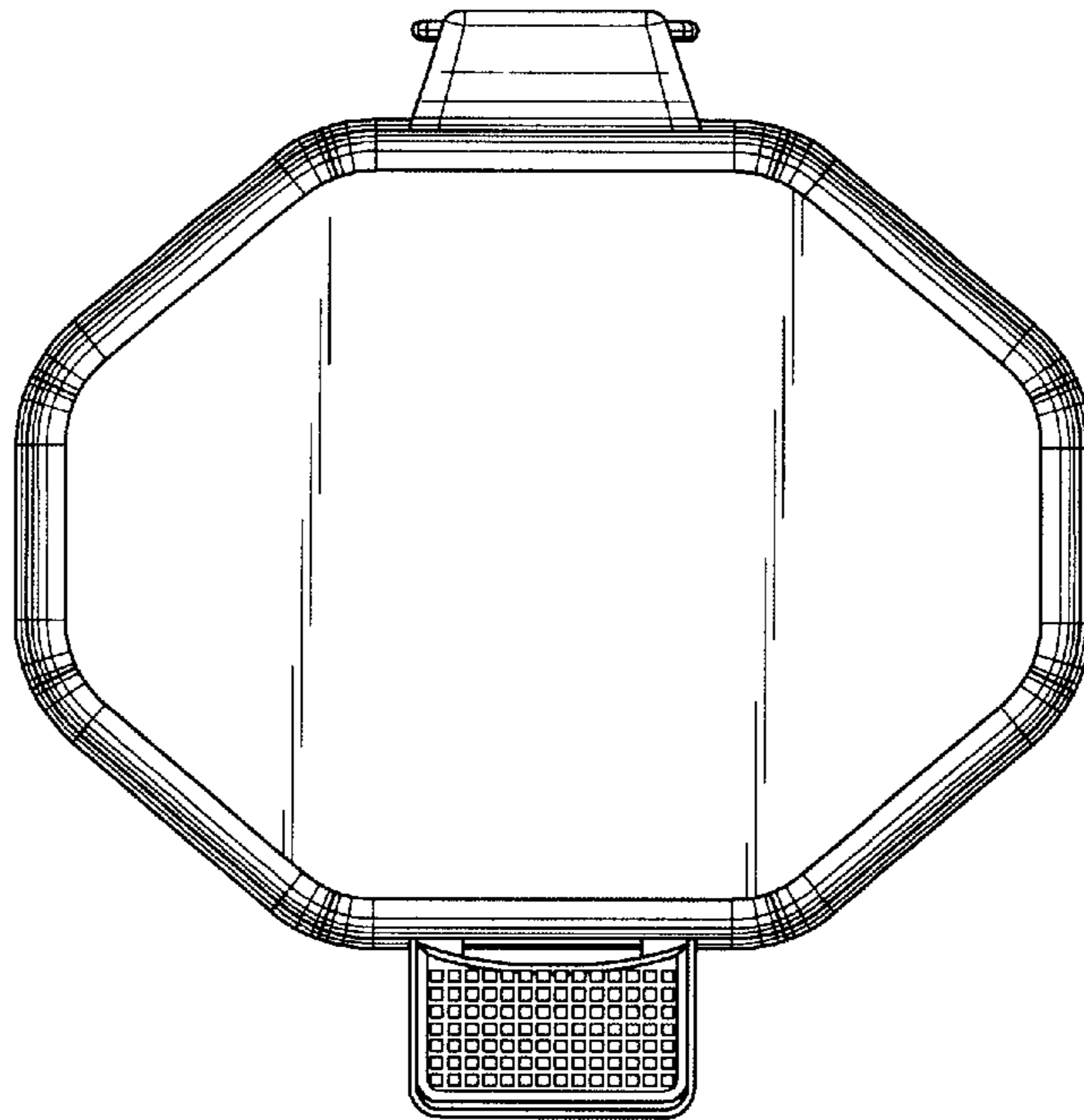


FIG. 6

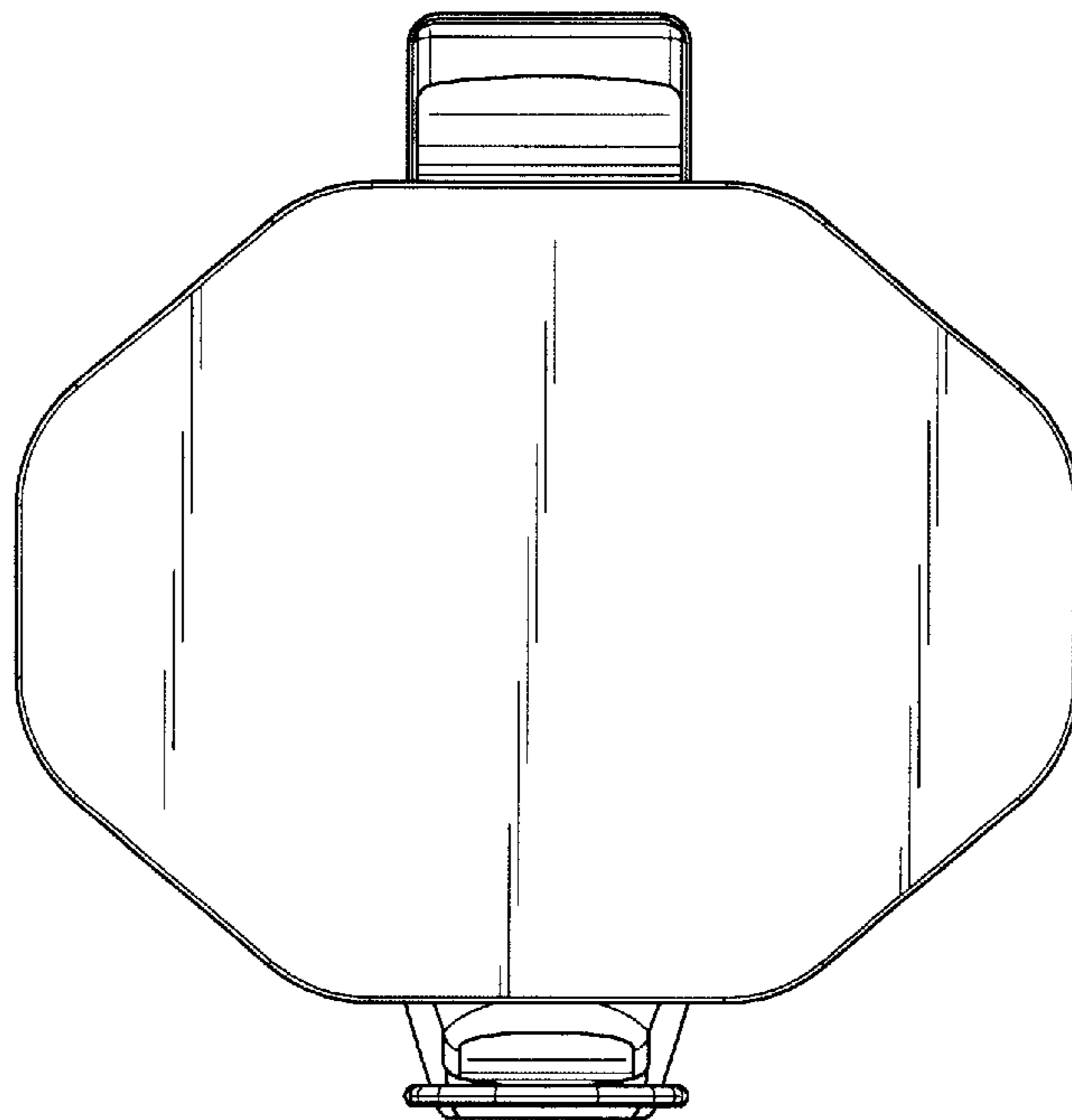


FIG. 7