



US00D537220S

(12) **United States Design Patent**
Porter et al.

(10) **Patent No.:** **US D537,220 S**

(45) **Date of Patent:** **** Feb. 20, 2007**

(54) **SUCTION NOZZLE**

(75) Inventors: **John Charles Porter**, Alliance, OH (US); **Kevin Earl Scheifele**, Tallmadge, OH (US); **Gilberto Cavada, Jr.**, Melrose Park, IL (US); **Jean Ellen Kiple**, Lake Villa, IL (US); **Frank Thomas Poggio**, Lincolnshire, IL (US)

(73) Assignee: **The Hoover Company**, North Canton, OH (US)

(**) Term: **14 Years**

(21) Appl. No.: **29/229,546**

(22) Filed: **May 9, 2005**

(51) **LOC (8) Cl.** **15-05**

(52) **U.S. Cl.** **D32/32**

(58) **Field of Classification Search** D32/17, D32/31-33, 38-39; 15/321-322, 324, 325, 15/327.5, 329, 414, 415.1, 416, 418-422, 15/422.1, 354, 363, 366, 334, 338, 41.1; 362/91; 43/139; 134/113; D26/29, 34-35, D26/51, 139

See application file for complete search history.

(56) **References Cited**

U.S. PATENT DOCUMENTS

D314,265 S * 1/1991 Hong D32/33

D418,267 S * 12/1999 Lin D32/32
D440,019 S * 4/2001 Mehaffey et al. D32/32
D456,965 S * 5/2002 Paterson et al. D32/32
D495,106 S * 8/2004 Leyden et al. D32/32
D499,850 S * 12/2004 Leyden D32/32
D501,283 S * 1/2005 Carr et al. D32/38

* cited by examiner

Primary Examiner—Ruth McInroy

(74) *Attorney, Agent, or Firm*—A. Burgess Lowe, Esq.; Michael J. Corrigan, Esq.

(57) **CLAIM**

We claim the ornamental design for a suction nozzle, as shown and described.

DESCRIPTION

FIG. 1 is a perspective view of a suction nozzle showing our new design;

FIG. 2 is a front view thereof;

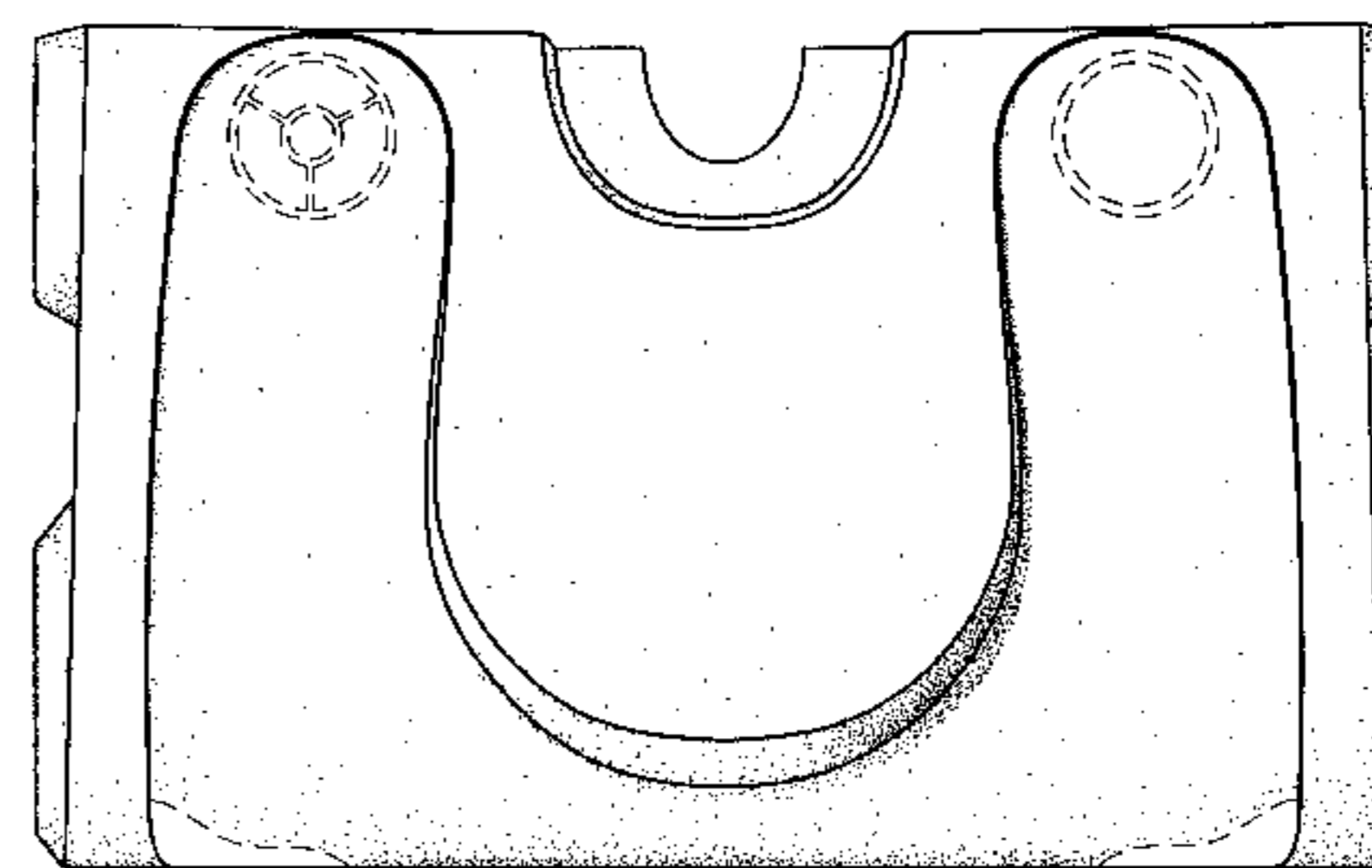
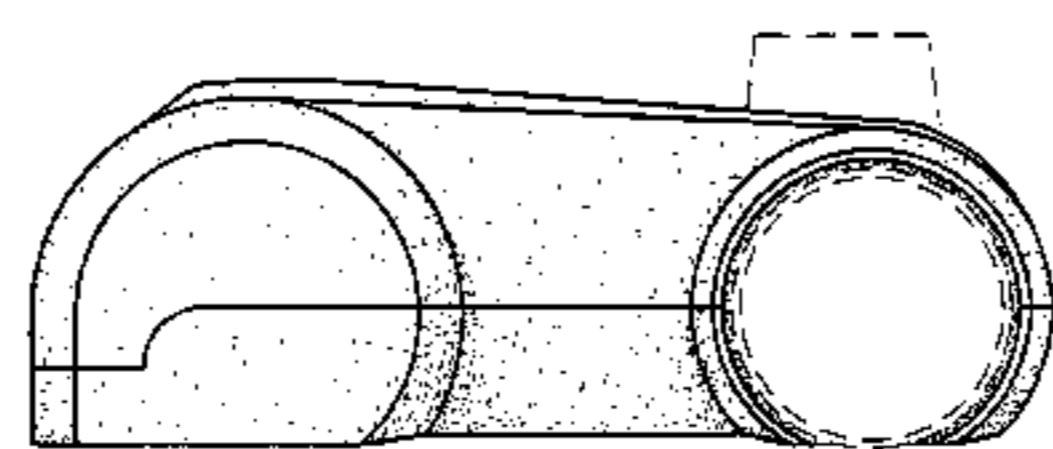
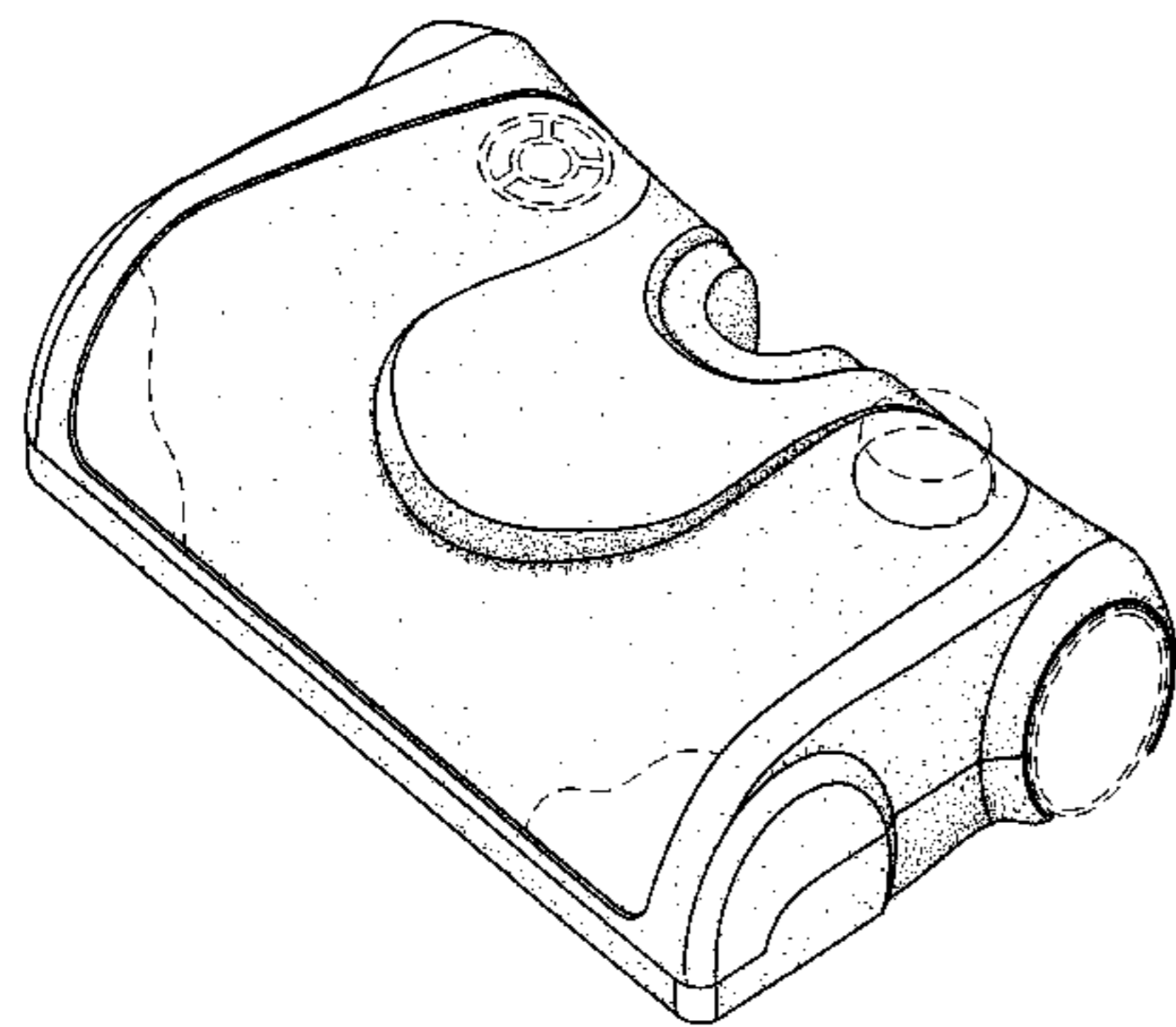
FIG. 3 is right side view thereof;

FIG. 4 is a left side view thereof; and,

FIG. 5 is top view thereof.

The portions of the suction nozzle shown in broken lines are for illustrative purposes only and form no part of the claimed design.

1 Claim, 4 Drawing Sheets



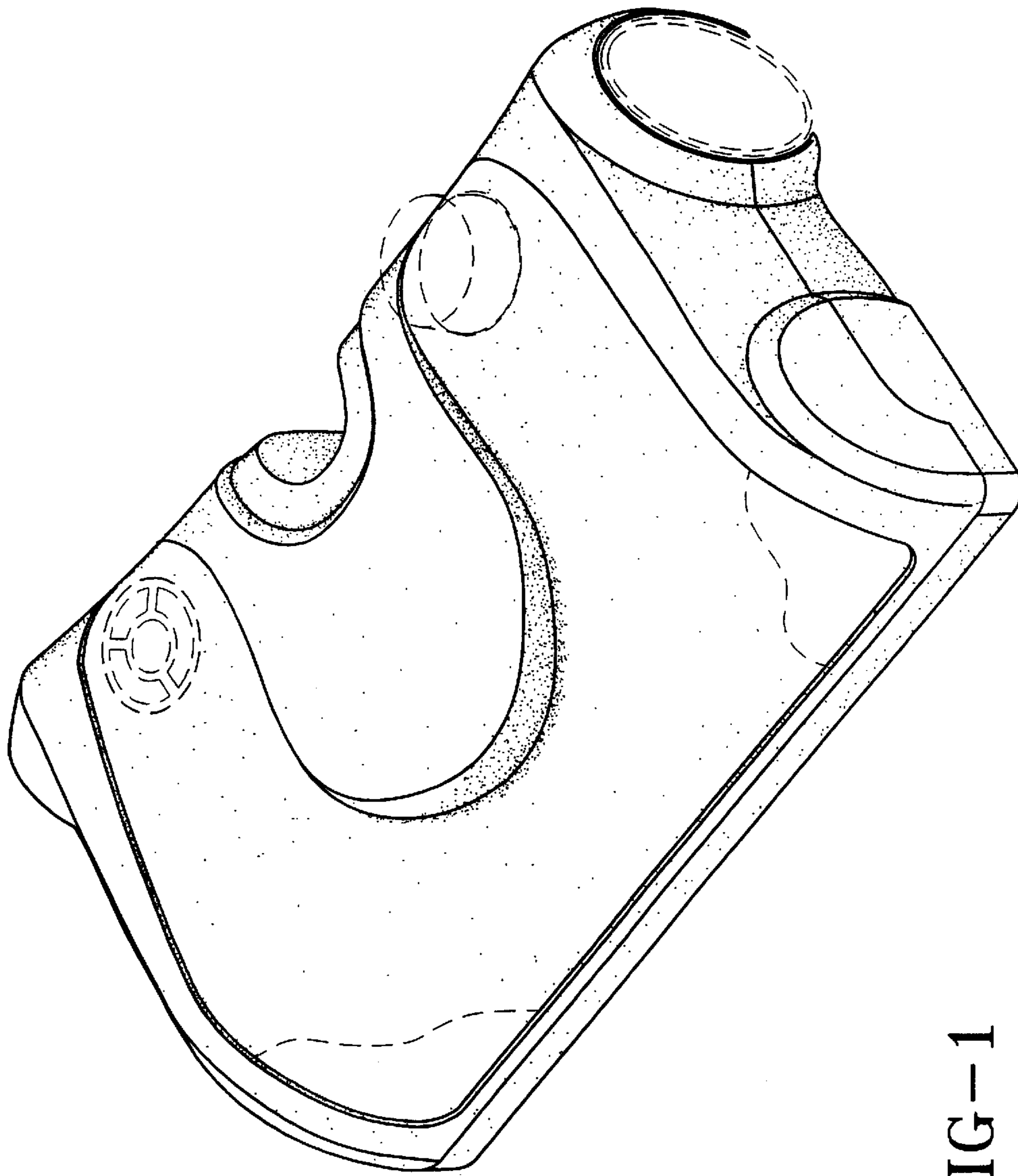


FIG-1

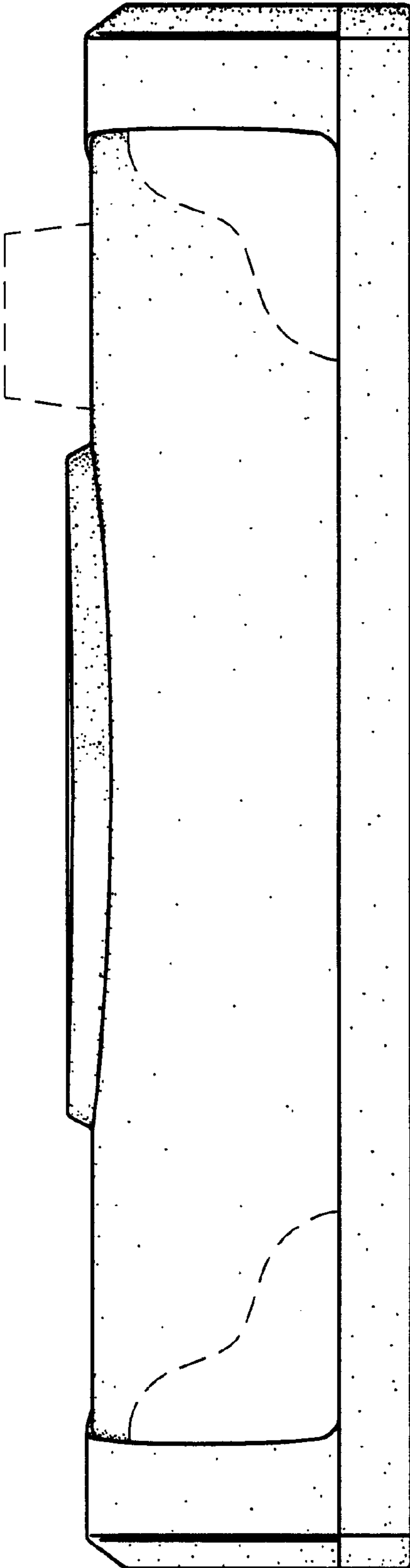


FIG-2

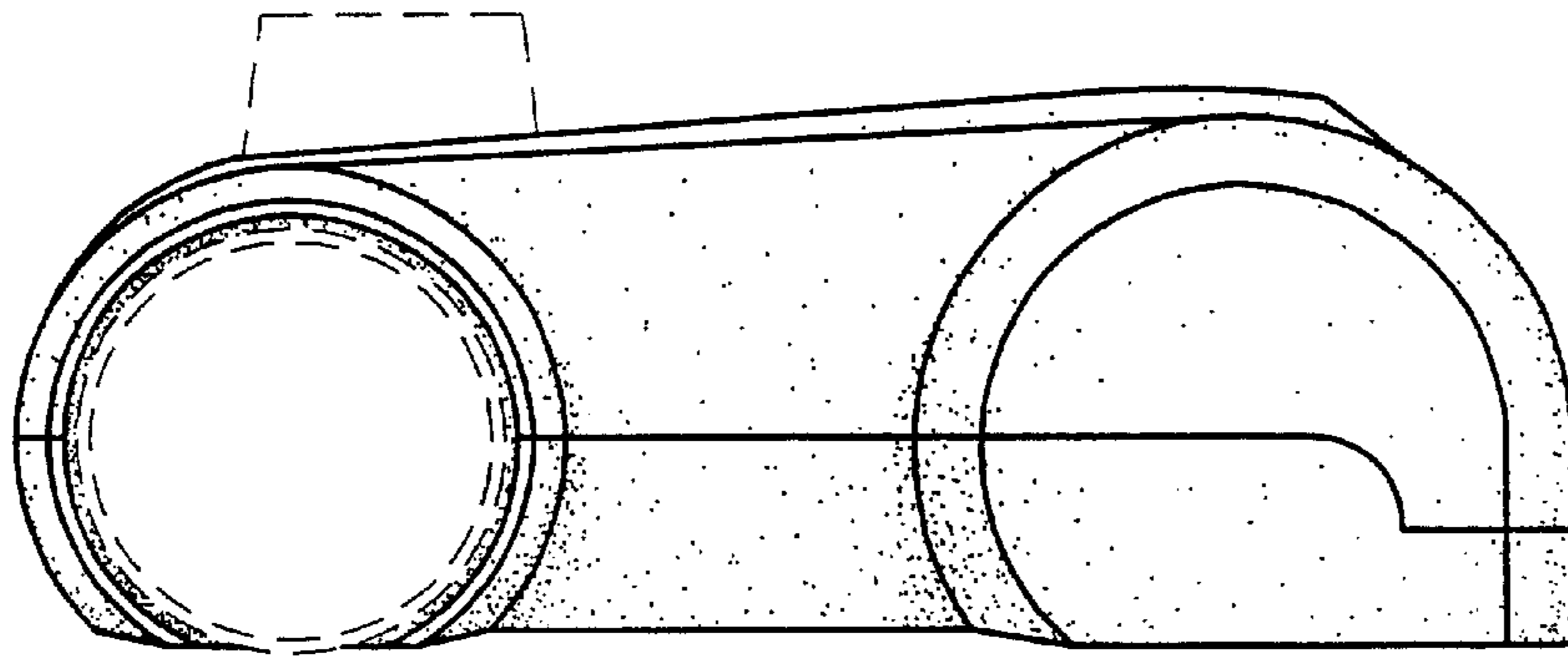


FIG-3

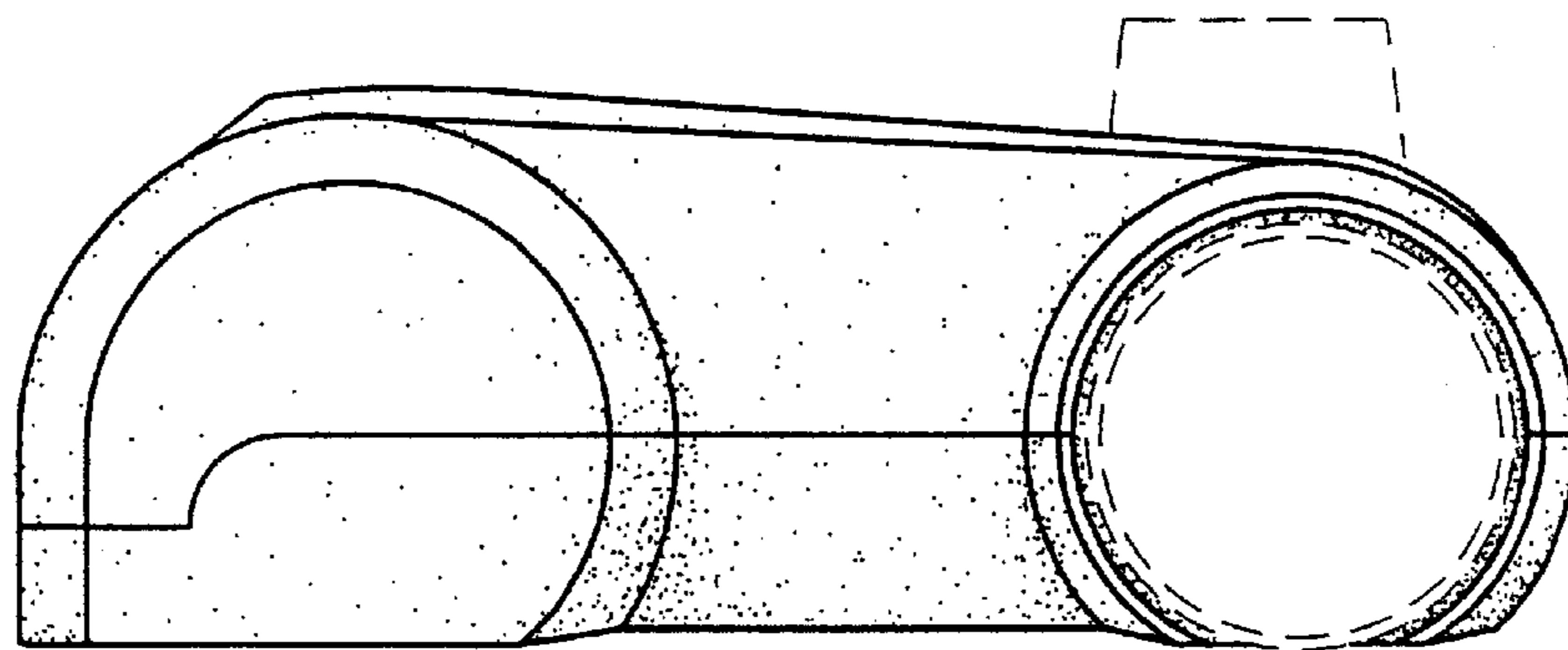


FIG-4

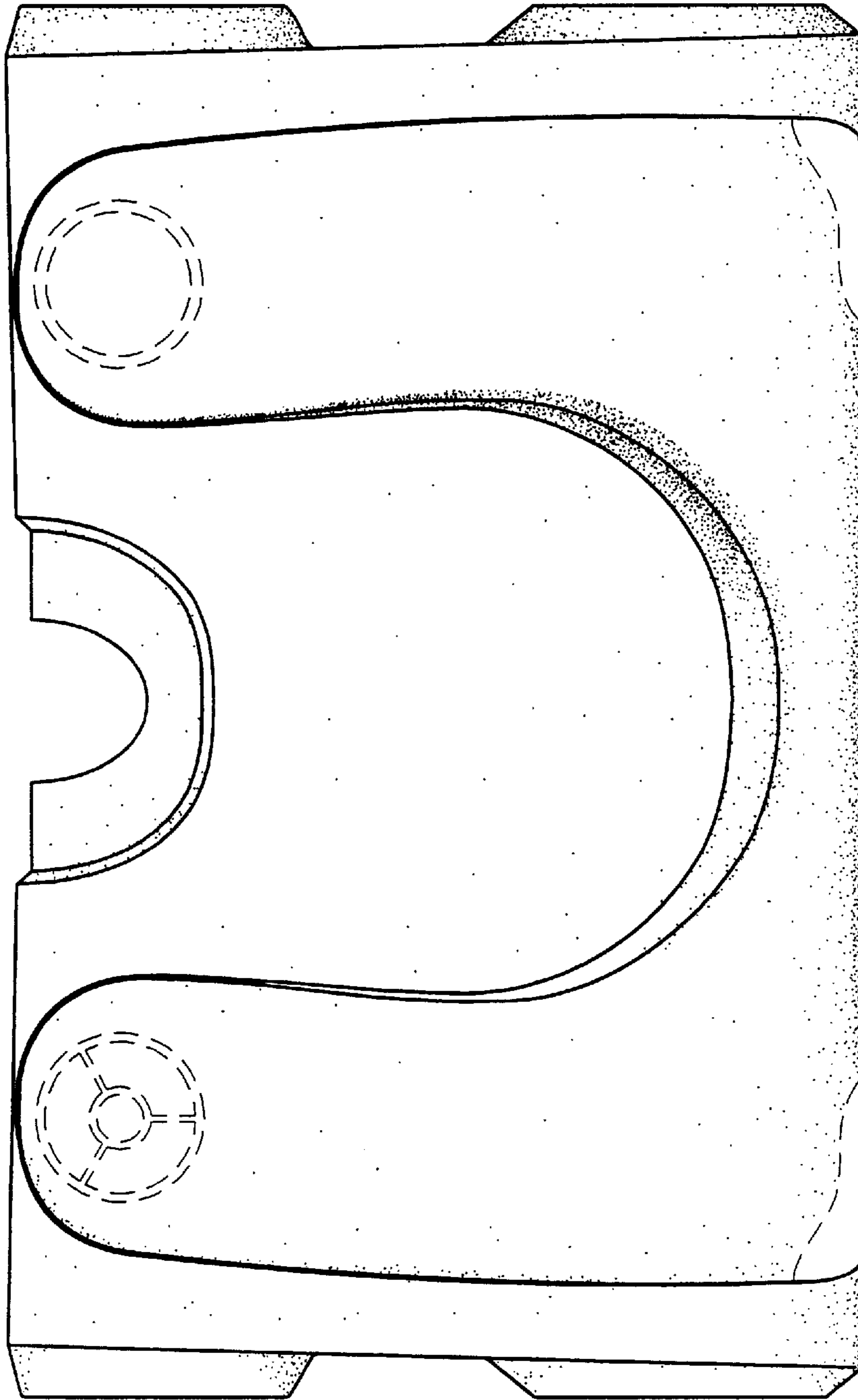


FIG-5