



US00D537219S

(12) **United States Design Patent**
Adams

(10) **Patent No.:** **US D537,219 S**
(45) **Date of Patent:** **** Feb. 20, 2007**

(54) **TOOL FOR A CLEANING APPLIANCE**

(75) Inventor: **Paul Michael Adams**, London (GB)

(73) Assignee: **Dyson Limited**, Wiltshire (GB)

(**) Term: **14 Years**

(21) Appl. No.: **29/217,100**

(22) Filed: **Nov. 15, 2004**

(30) **Foreign Application Priority Data**

May 13, 2004 (GB) 3017294

(51) **LOC (8) Cl.** **15-05**

(52) **U.S. Cl.** **D32/32**

(58) **Field of Classification Search** D32/22,
D32/31-33; 15/320-322, 329, 350-353,
15/362, 410, 412, 414, 415.1, 416-422.1,
15/246.2; 55/DIG. 3

See application file for complete search history.

(56) **References Cited**

U.S. PATENT DOCUMENTS

D266,707 S * 10/1982 Bunyea D32/33
5,351,362 A * 10/1994 Kramer et al. 15/387
D370,097 S * 5/1996 Griffin et al. D32/33
D443,741 S * 6/2001 Parr et al. D32/32

D457,696 S * 5/2002 Worwag D32/32
D476,121 S * 6/2003 Hammond D32/32
D507,854 S * 7/2005 Kim D32/32
D508,154 S * 8/2005 Carr D32/32

* cited by examiner

Primary Examiner—Ruth McInroy

(74) *Attorney, Agent, or Firm*—Morrison & Foerster LLP

(57) **CLAIM**

I claim the ornamental design for a tool for a cleaning appliance, as shown and described.

DESCRIPTION

FIG. 1 is an underneath, front and side perspective view of a tool for a cleaning appliance of the design according to this invention.

FIG. 2 is a top view of a tool for a cleaning appliance of the design according to this invention.

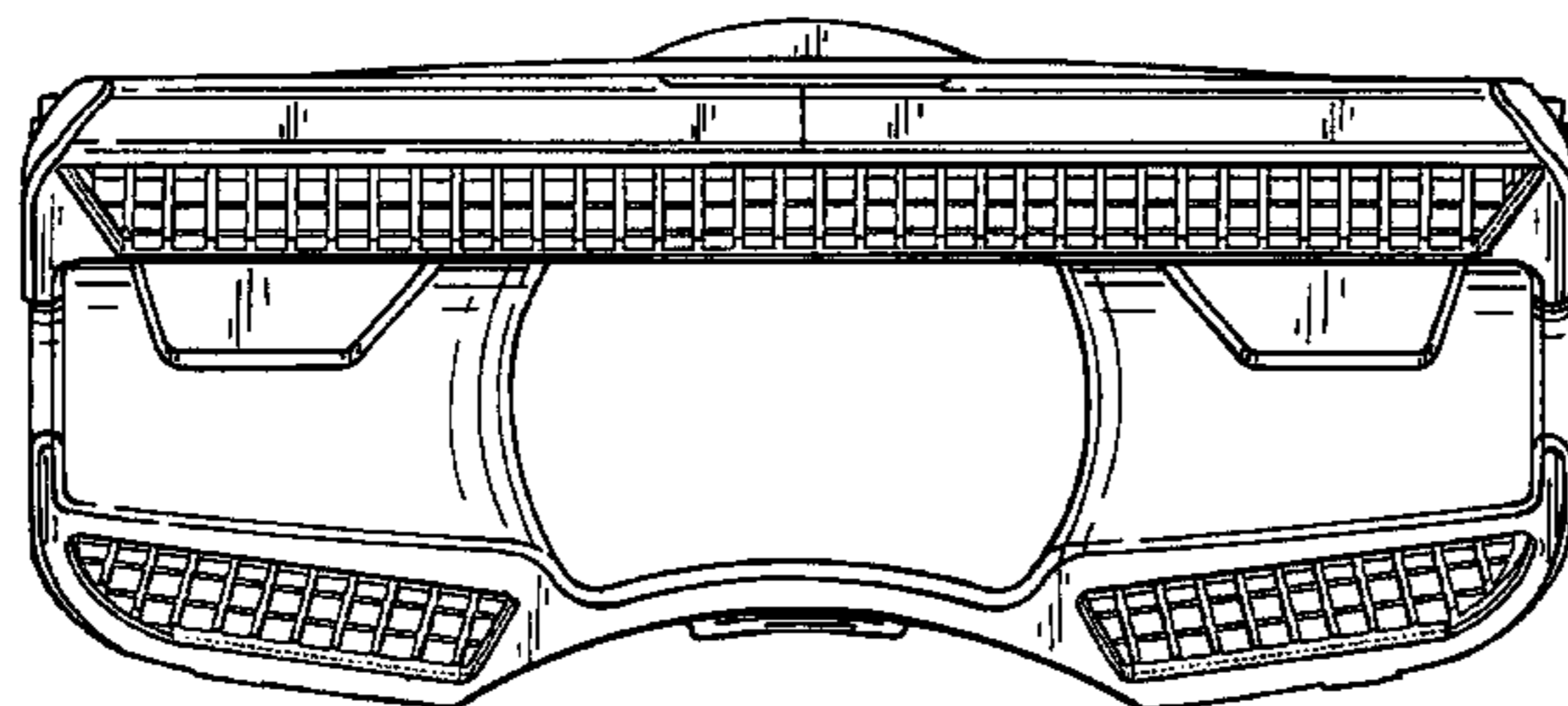
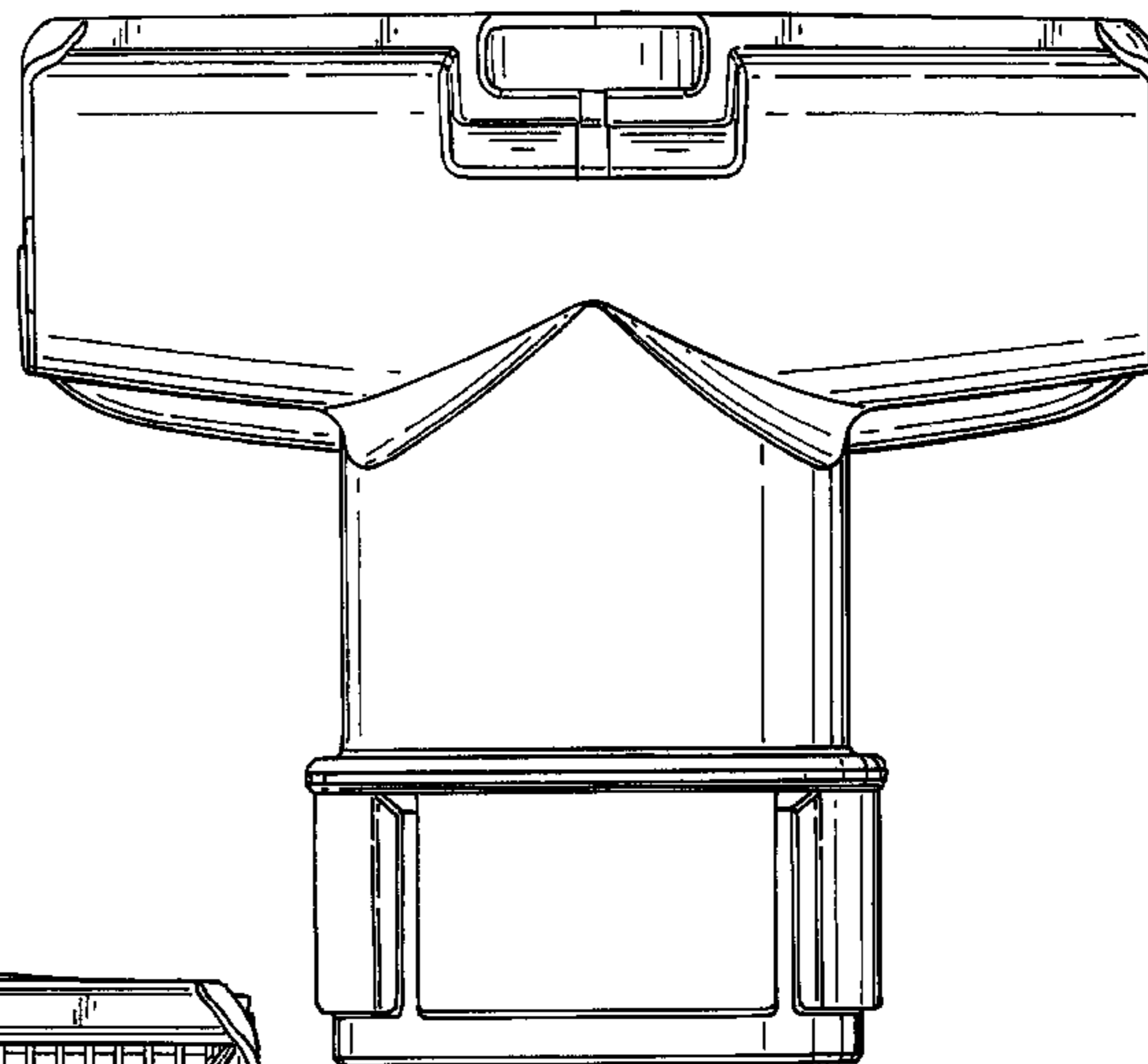
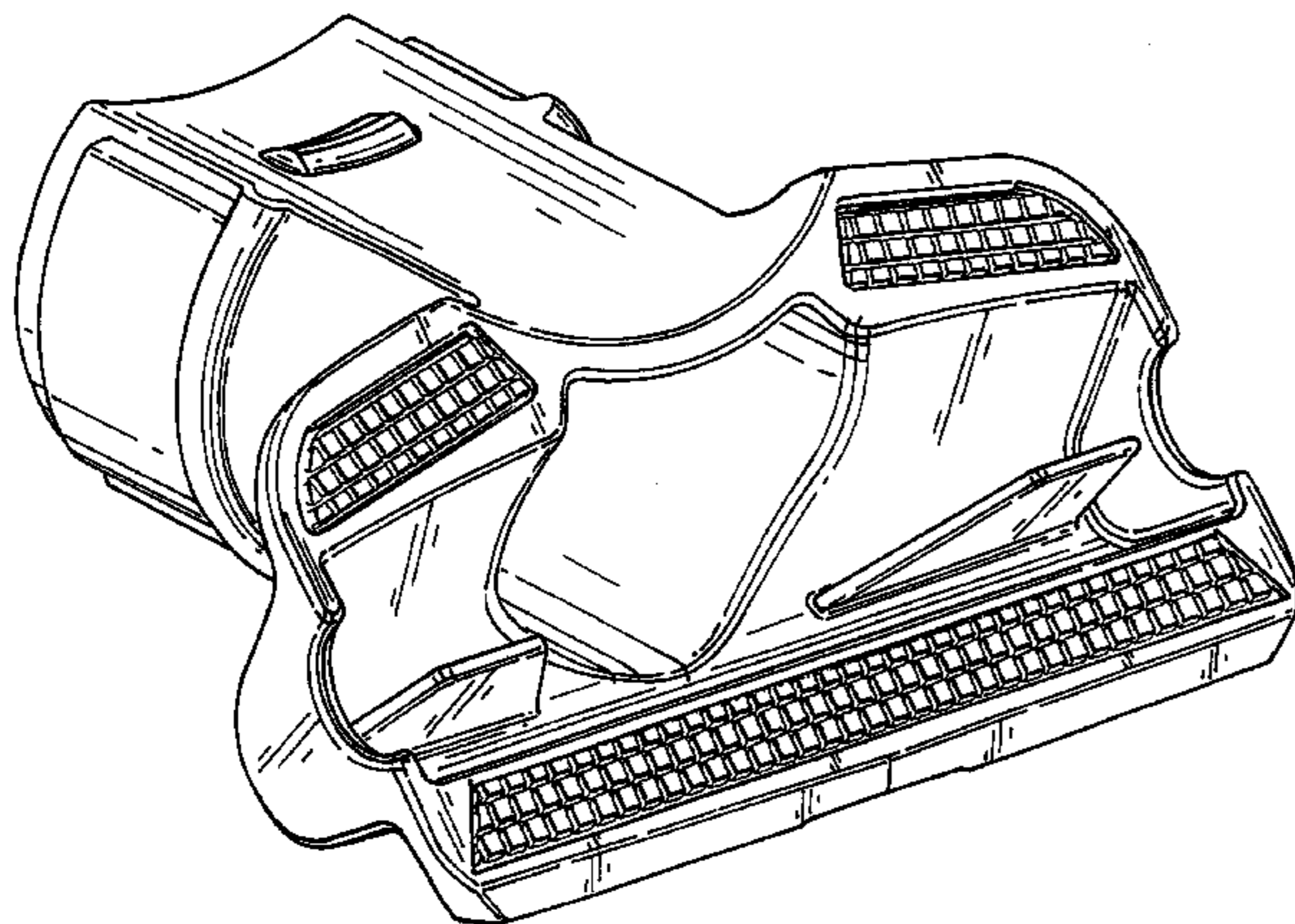
FIG. 3 is an underneath view of a tool for a cleaning appliance of the design according to this invention.

FIG. 4 is a front view of a tool for a cleaning appliance of the design according to this invention; and,

FIG. 5 is a rear end view of a tool for a cleaning appliance of the design according to this invention.

The undisclosed portion of the sides which is not shown in the drawings forms no part of the claimed design.

1 Claim, 5 Drawing Sheets



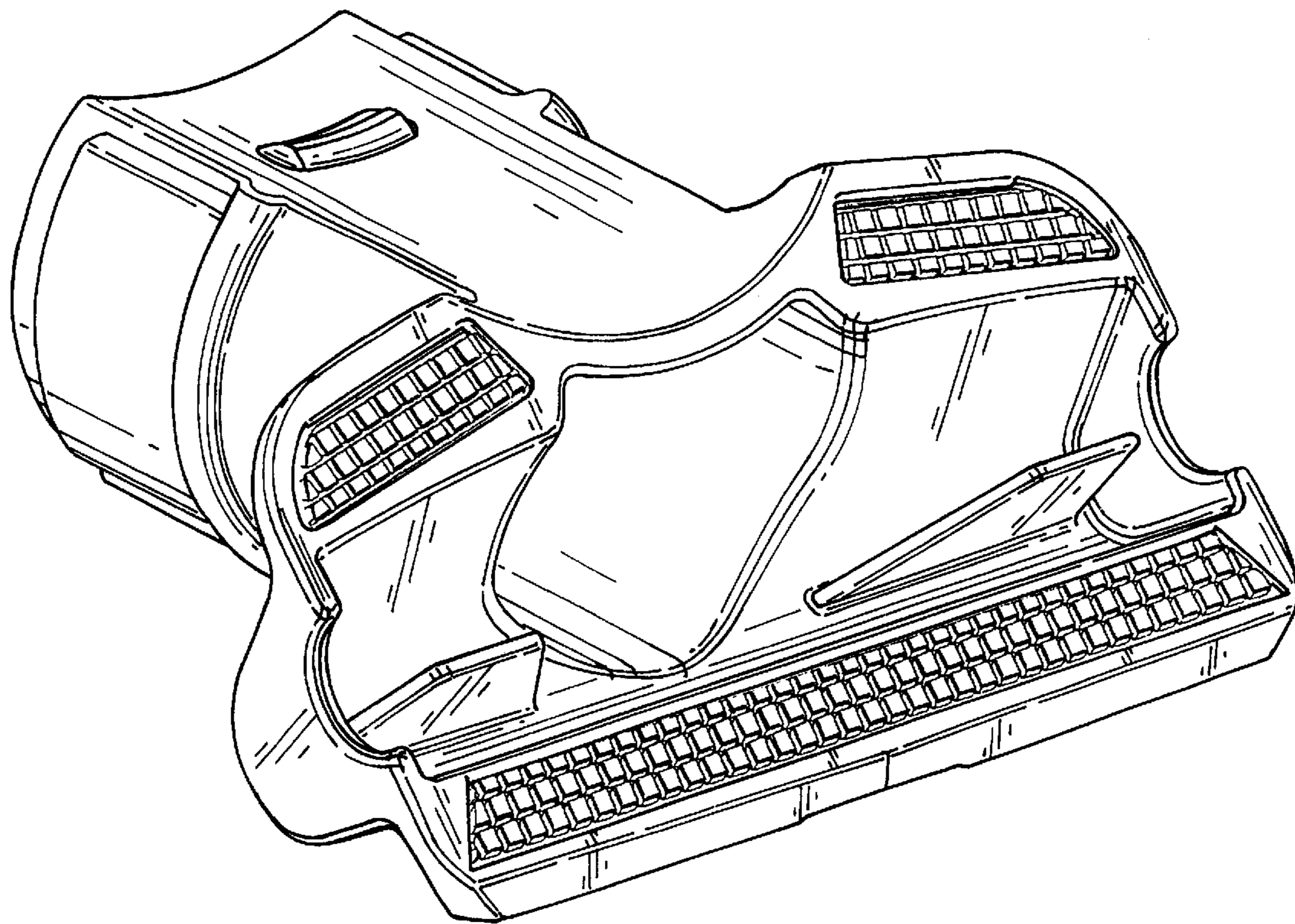


Fig. 1

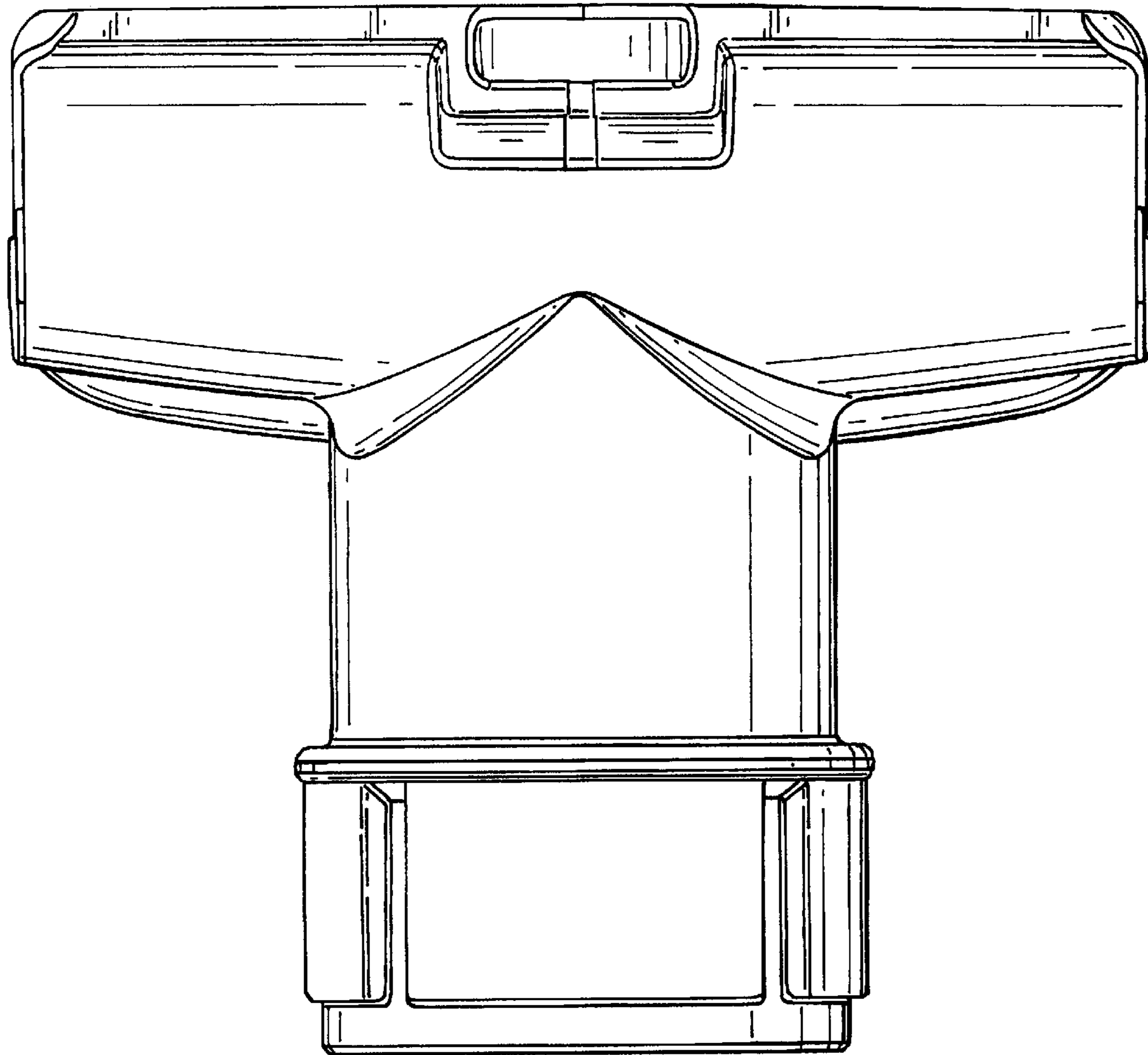


Fig. 2

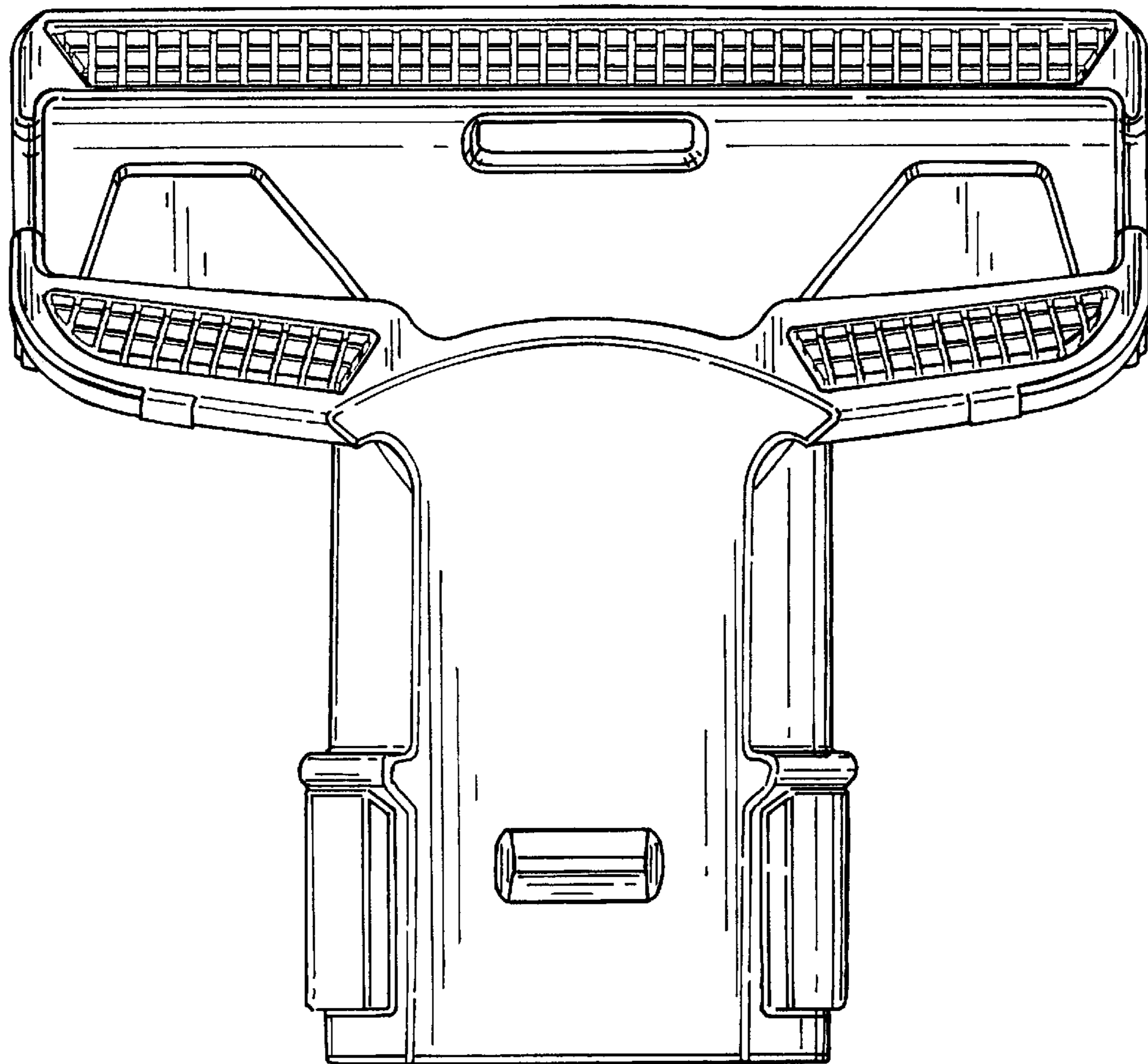


Fig. 3

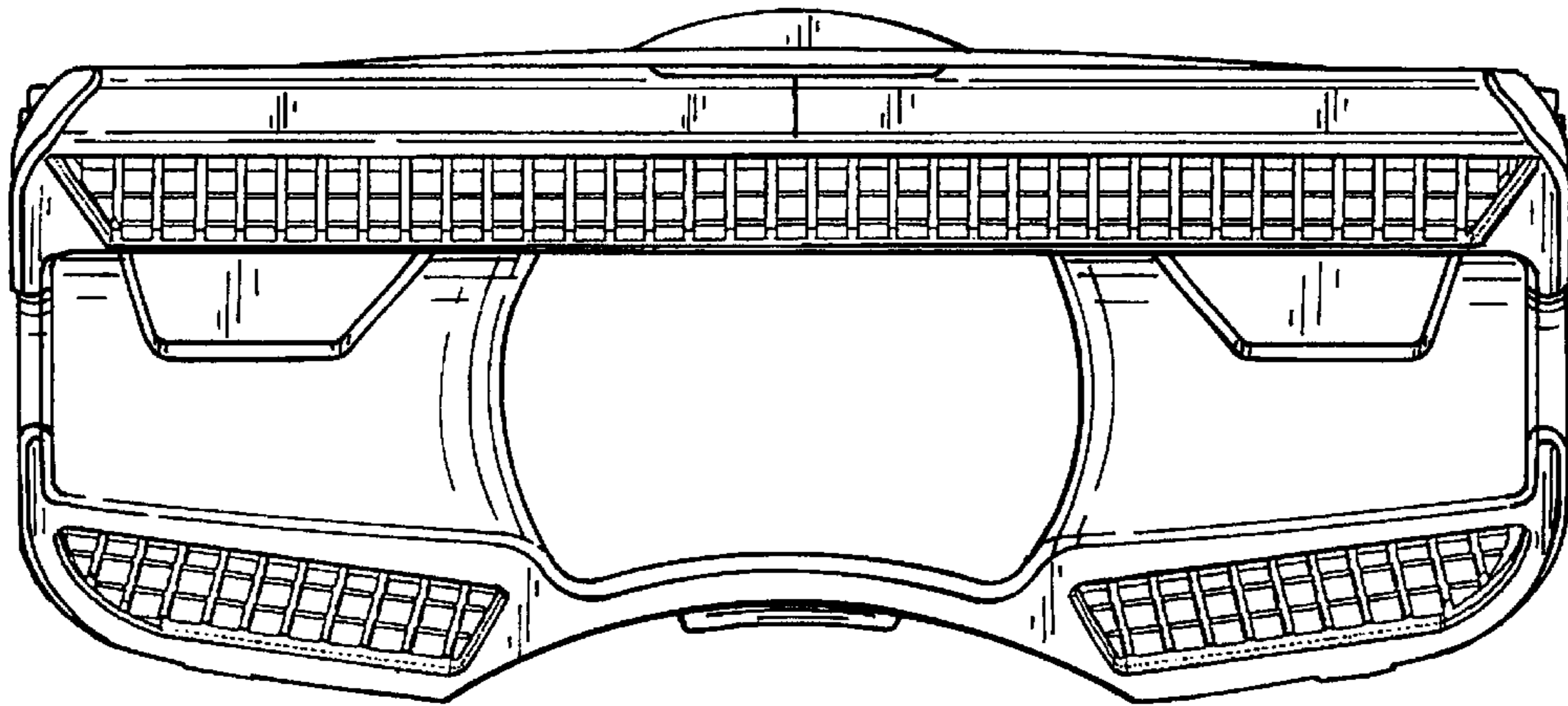


Fig. 4

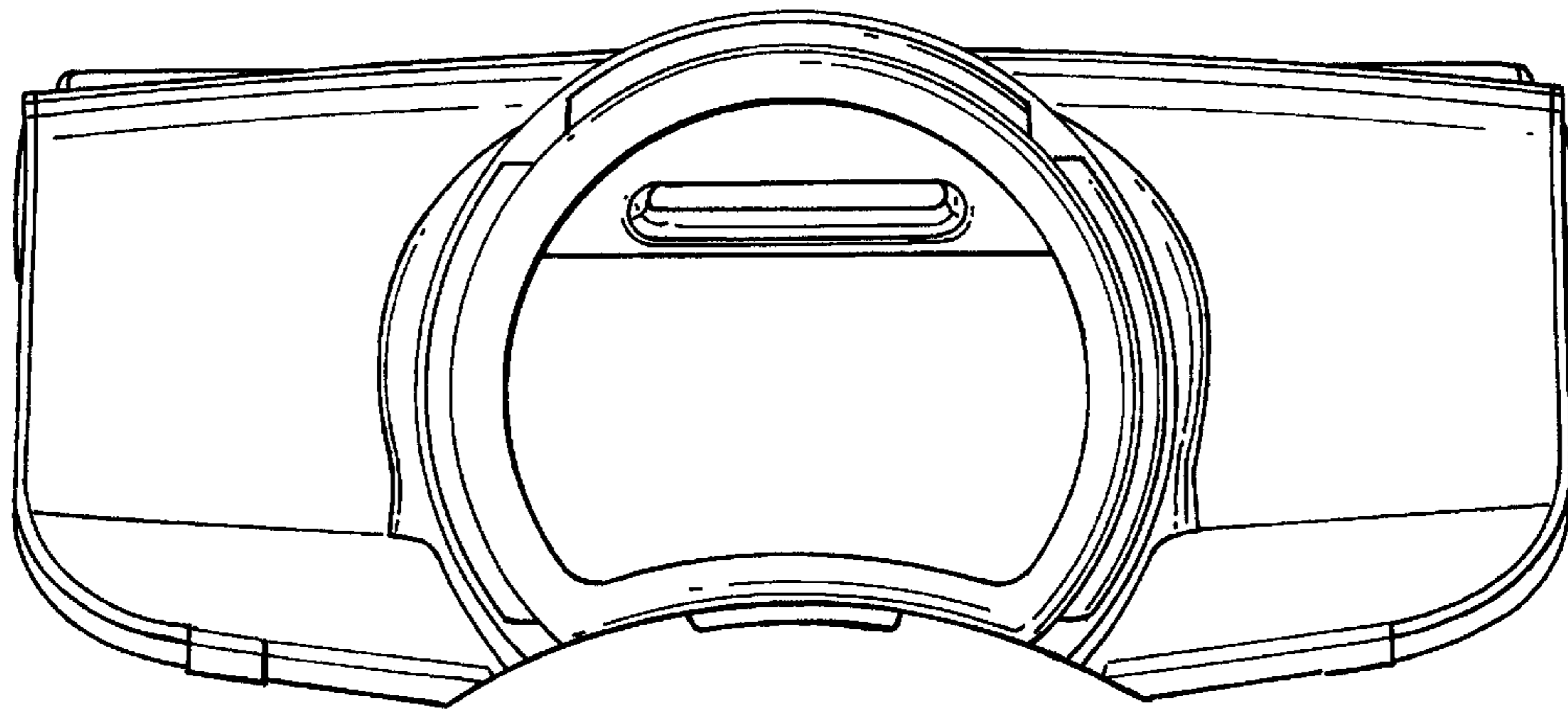


Fig. 5