



US00D537215S

(12) **United States Design Patent**
Foersterling

(10) **Patent No.:** **US D537,215 S**

(45) **Date of Patent:** **** Feb. 20, 2007**

(54) **CANNISTER FOR AN ELECTRIC GARMENT STEAMER**

(75) Inventor: **Klaus Foersterling**, Seligenstadt (DE)

(73) Assignee: **Rowenta Werke GmbH**, Offenbach (DE)

(**) Term: **14 Years**

(21) Appl. No.: **29/238,336**

(22) Filed: **Sep. 15, 2005**

(30) **Foreign Application Priority Data**

Mar. 15, 2005 (FR) 05 1341

(51) **LOC (8) Cl.** **15-05**

(52) **U.S. Cl.** **D32/9**

(58) **Field of Classification Search** D32/15, D32/18, 21, 22, 23, 31, 9, 24, 1, 17, 25; 15/320, 15/321, 353, 327.1-327.2, 327.6, 344, 345, 15/327.3-327.4, 327.7, 329, 352; 68/222, 68/5 R; D28/12

See application file for complete search history.

(56) **References Cited**

U.S. PATENT DOCUMENTS

D445,973 S * 7/2001 Chen D32/21
6,295,691 B1 * 10/2001 Chen 15/321
D471,682 S * 3/2003 Chen D32/21

D473,025 S * 4/2003 Simmons D32/17
6,640,383 B2 * 11/2003 Tsen 15/321
D499,517 S * 12/2004 Chen D32/17
6,865,773 B2 * 3/2005 Tsen 15/323
D505,526 S * 5/2005 Tsen D32/21
2005/0132761 A1 * 6/2005 Carruba et al. 68/222
2005/0150261 A1 * 7/2005 Carlucci 68/222

* cited by examiner

Primary Examiner—Louis Zarfaz

Assistant Examiner—Kathleen Sims

(74) *Attorney, Agent, or Firm*—Young & Thompson

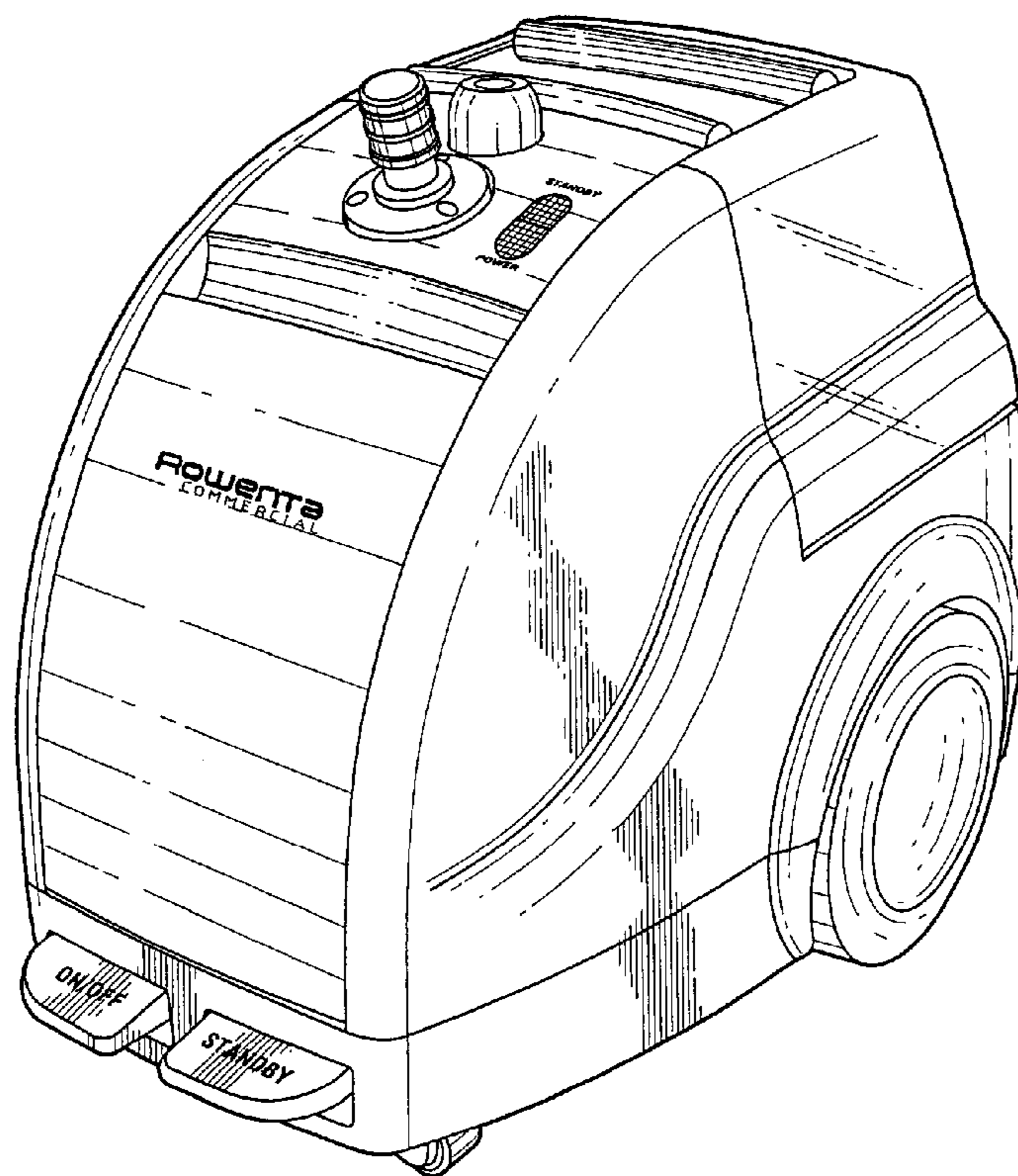
(57) **CLAIM**

The ornamental design for a cannister for an electric garment steamer, as, shown.

DESCRIPTION

FIG. 1 is a top perspective view of a canister for an electric garment steamer, showing my new design;
FIG. 2 is a front elevational view thereof;
FIG. 3 is a side elevational view thereof from the left of FIG. 2;
FIG. 4 is a side elevational view thereof from the right of FIG. 4;
FIG. 5 is a rear elevational view thereof;
FIG. 6 is a top plan view thereof; and,
FIG. 7 is bottom plan view thereof.

1 Claim, 7 Drawing Sheets



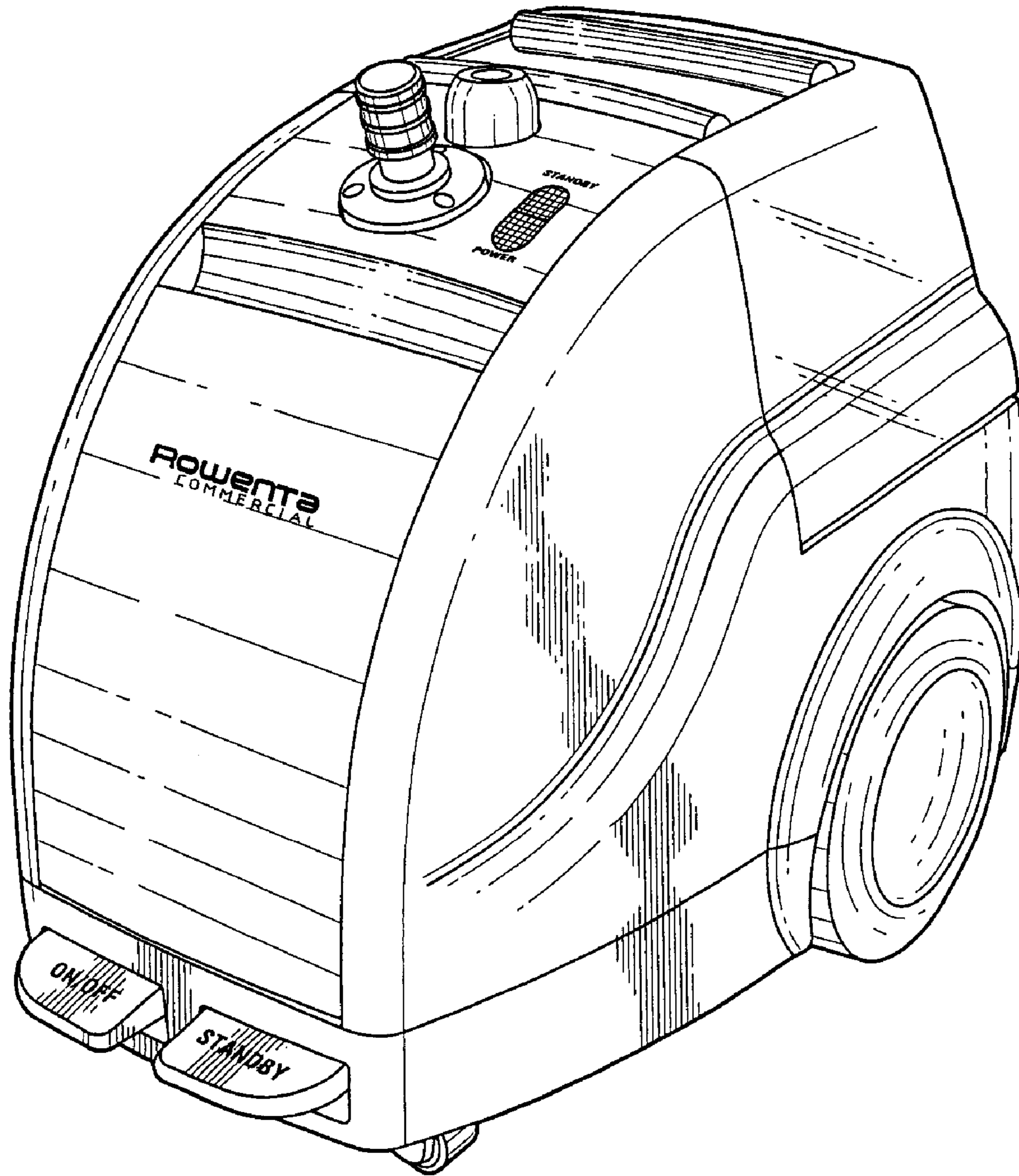


FIG. 1

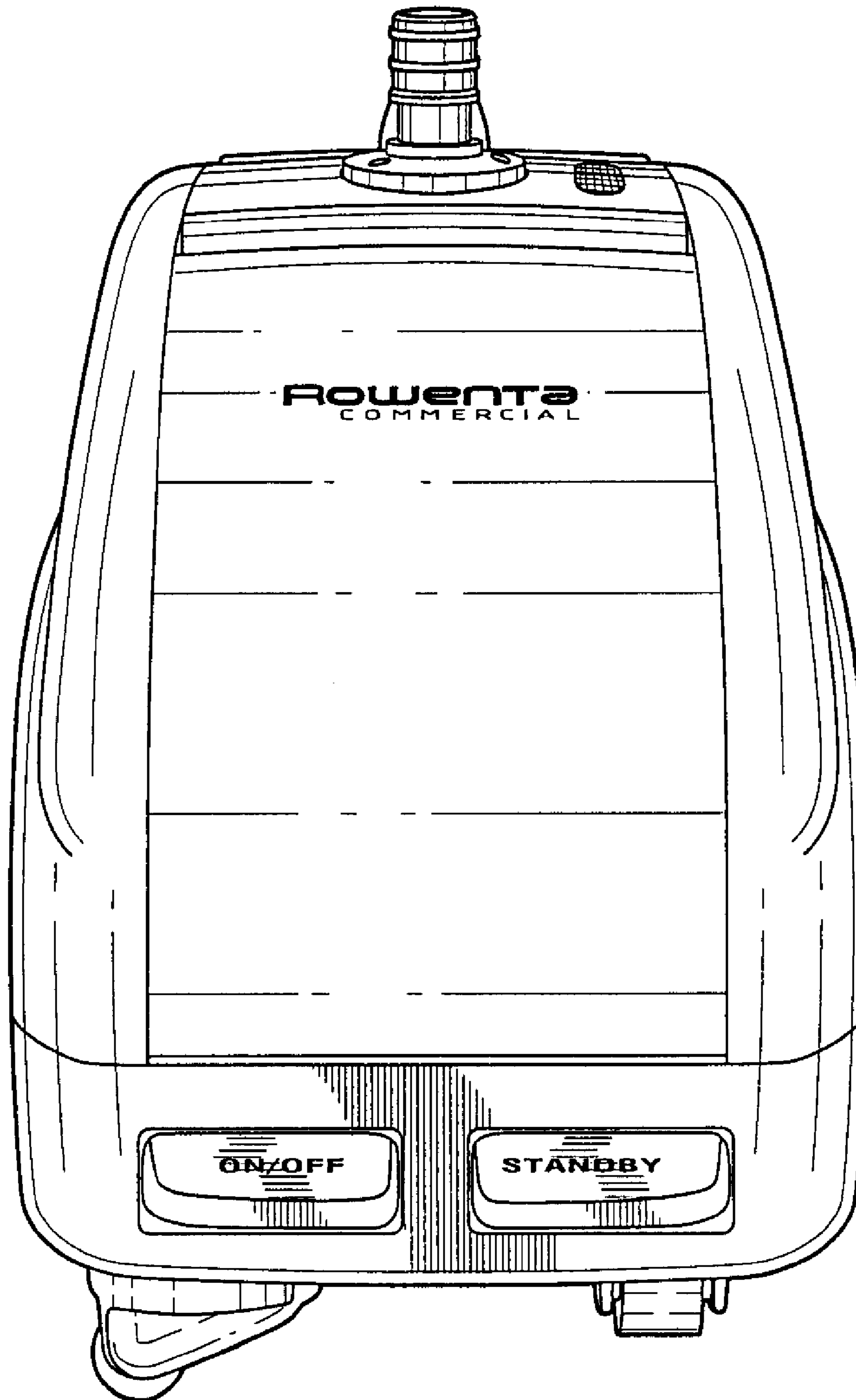


FIG. 2

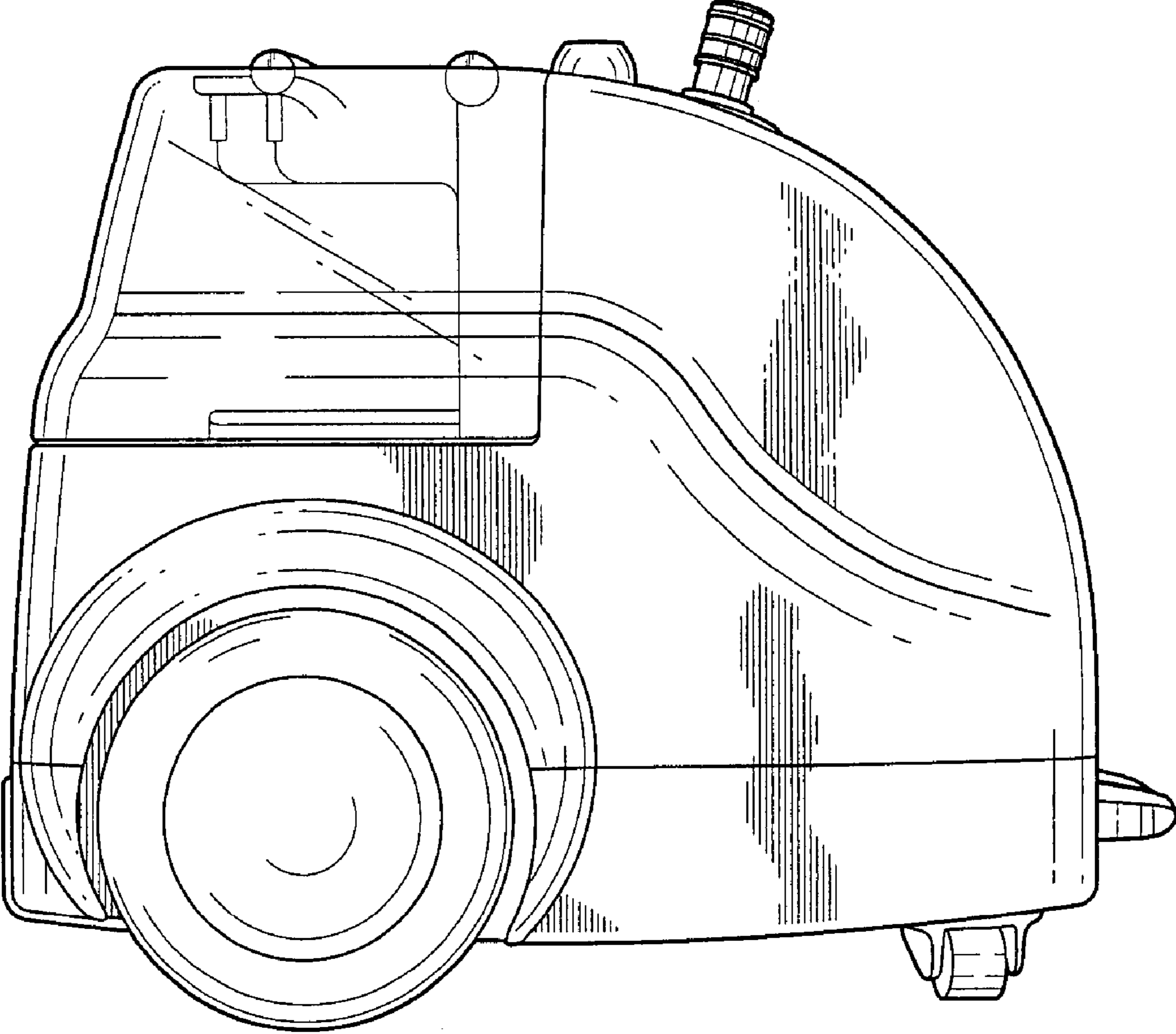


FIG. 3

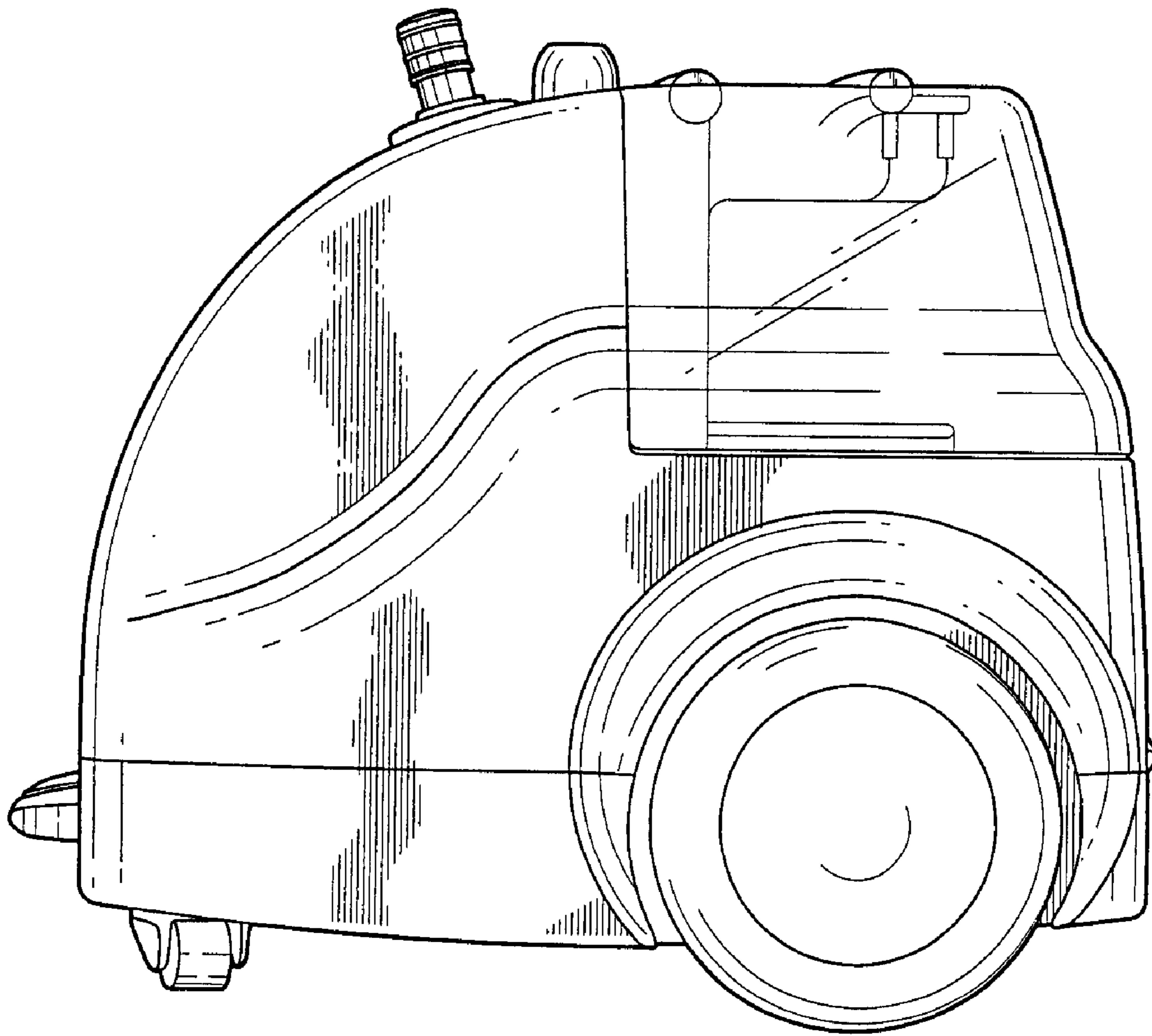


FIG. 4

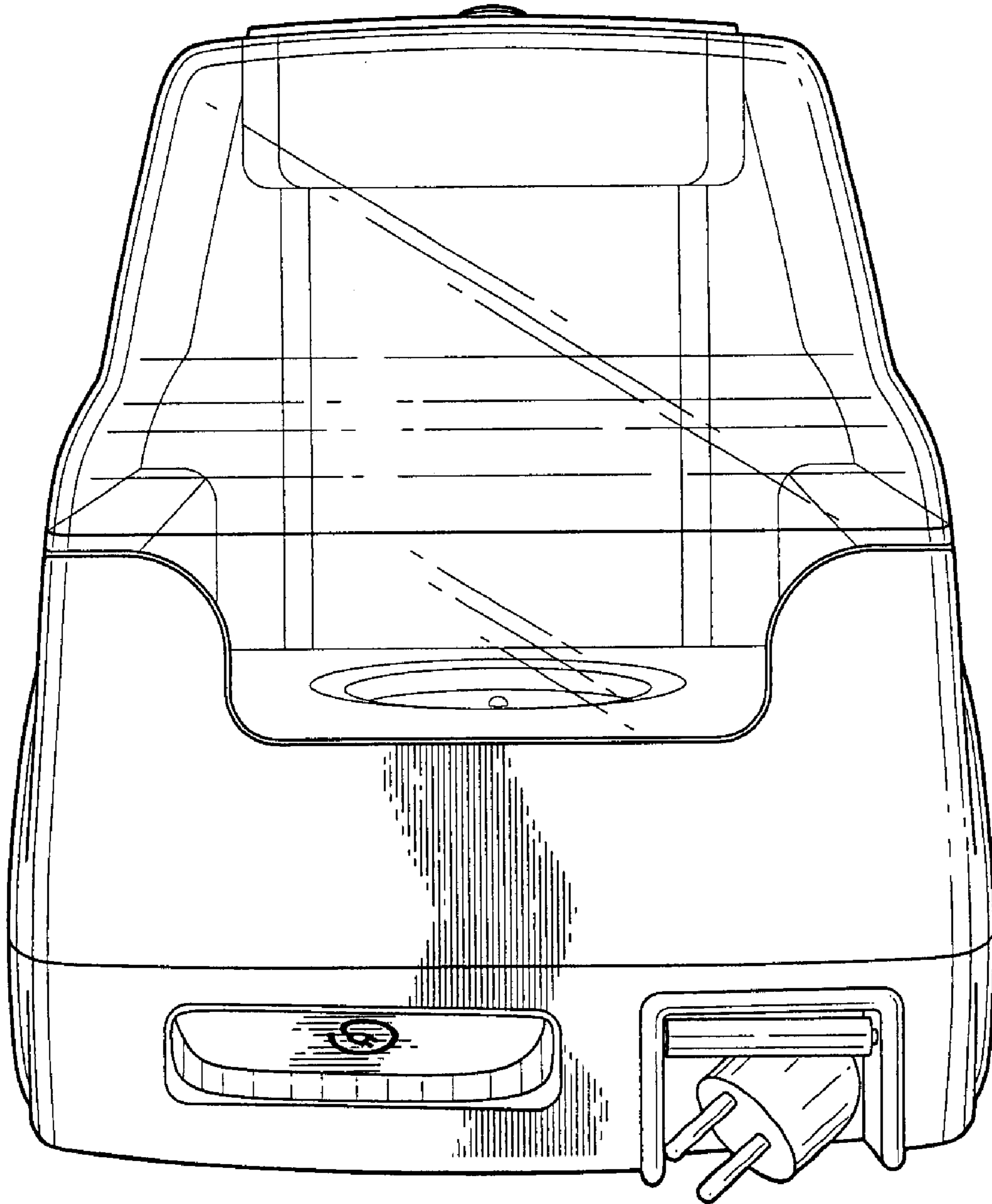


FIG. 5

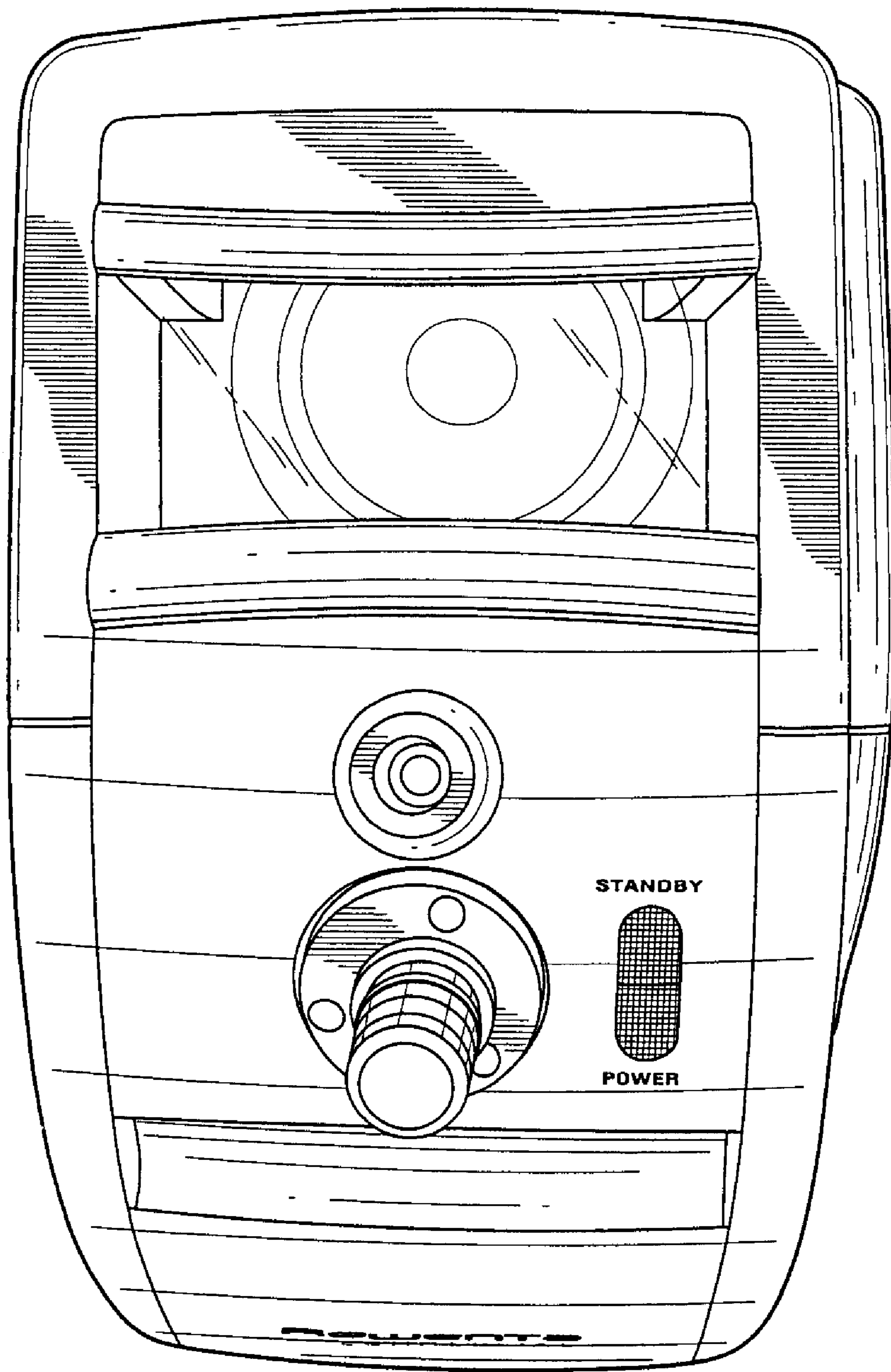


FIG. 6

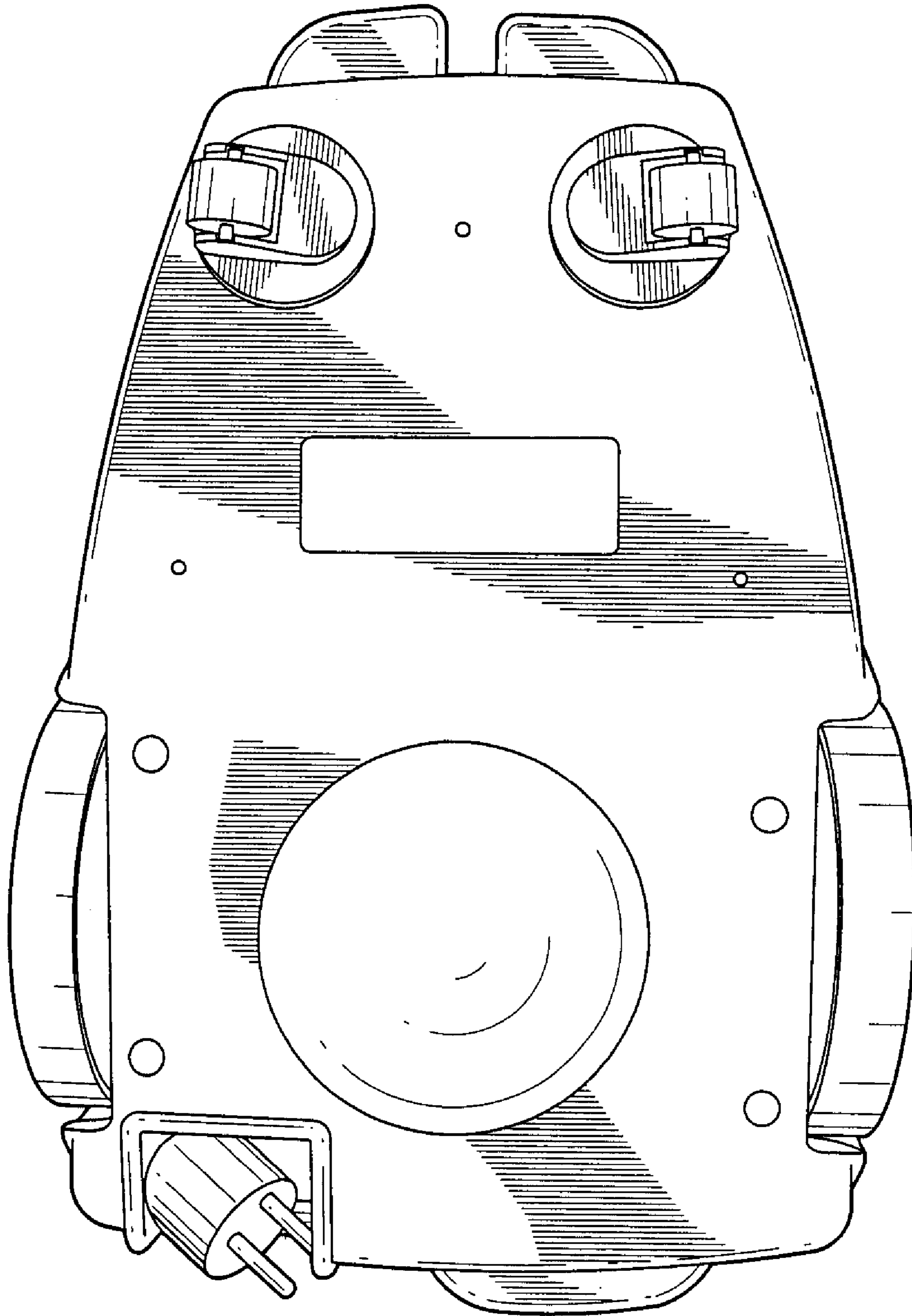


FIG. 7