

US00D537209S

(12) **United States Design Patent**  
**Garcia**

(10) **Patent No.:** **US D537,209 S**

(45) **Date of Patent:** **\*\* Feb. 20, 2007**

(54) **FLUID PRODUCT DISPENSER FOR SPRAYING PERFUME**

D516,923 S \* 3/2006 Moore ..... D9/682  
D520,879 S \* 5/2006 Antretter ..... D28/91.1

(75) Inventor: **Firmin Garcia**, Evreux (FR)

\* cited by examiner

(73) Assignee: **Valois SAS**, Neubourg (FR)

*Primary Examiner*—Brian N Vinson  
(74) *Attorney, Agent, or Firm*—Sughrue Mion, PLLC

(\*\*) Term: **14 Years**

(57) **CLAIM**

(21) Appl. No.: **29/198,187**

The ornamental design for a fluid product dispenser for spraying perfume, as shown.

(22) Filed: **Jan. 28, 2004**

(30) **Foreign Application Priority Data**

**DESCRIPTION**

Jul. 28, 2003 (EP) ..... 000058540

FIG. 1 is a perspective view of the top, front and left side of a fluid product dispenser for spraying perfume showing my new design;

(51) **LOC (8) Cl.** ..... **09-01**

(52) **U.S. Cl.** ..... **D28/91.1**

FIG. 2 is a front elevational view thereof;

(58) **Field of Classification Search** ..... D28/91.1;

FIG. 3 is a rear elevational view thereof;

D9/682, 690; 222/321.7, 321.8, 321.9, 386,  
222/402.1

FIG. 4 is a left side elevational view thereof;

See application file for complete search history.

FIG. 5 is a right side elevational view thereof;

(56) **References Cited**

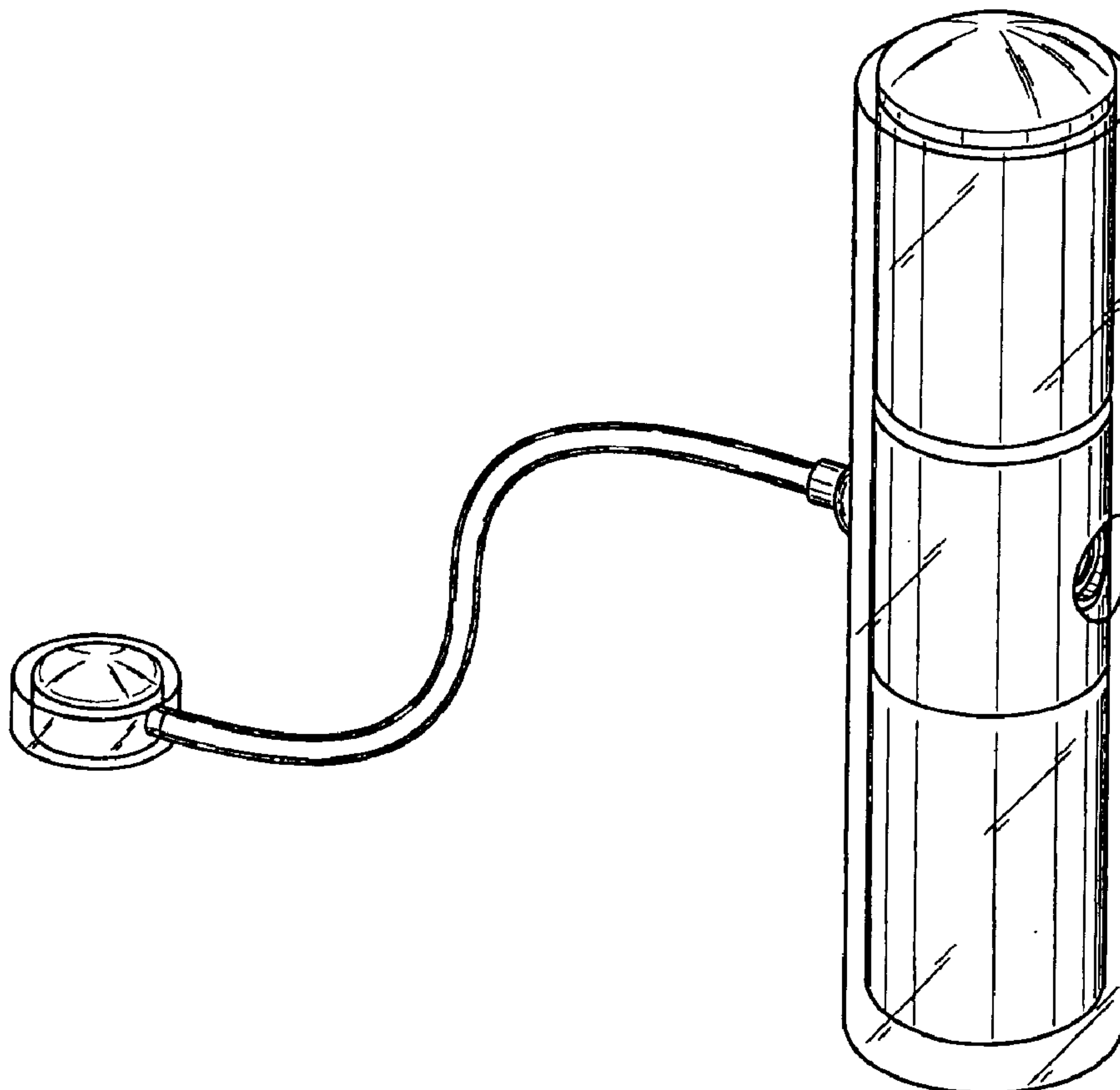
FIG. 6 is a top plan view thereof; and,

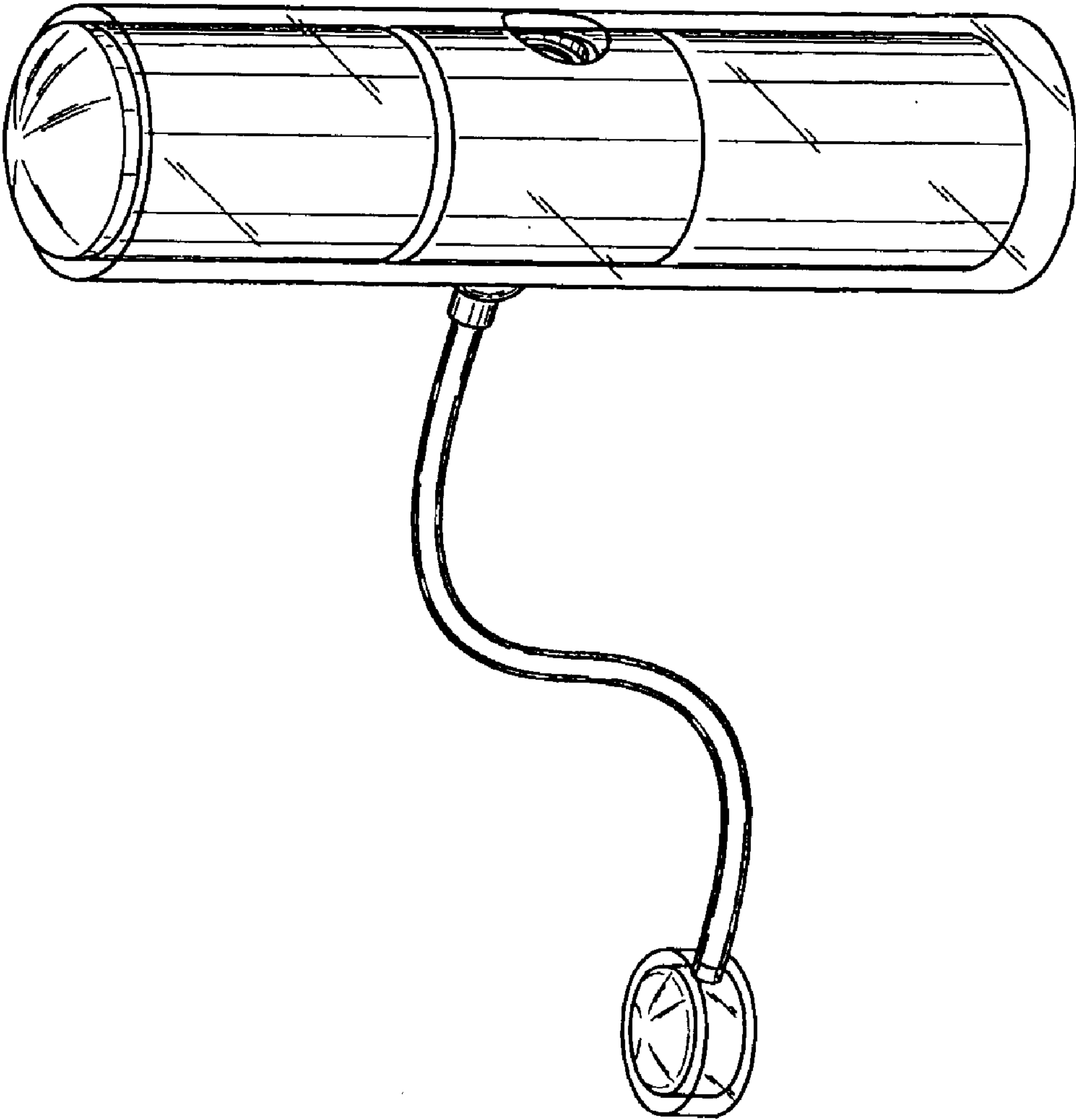
FIG. 7 is a bottom plan view thereof.

**U.S. PATENT DOCUMENTS**

D316,667 S \* 5/1991 Litton ..... D28/91.1

**1 Claim, 5 Drawing Sheets**





*Fig. 1*

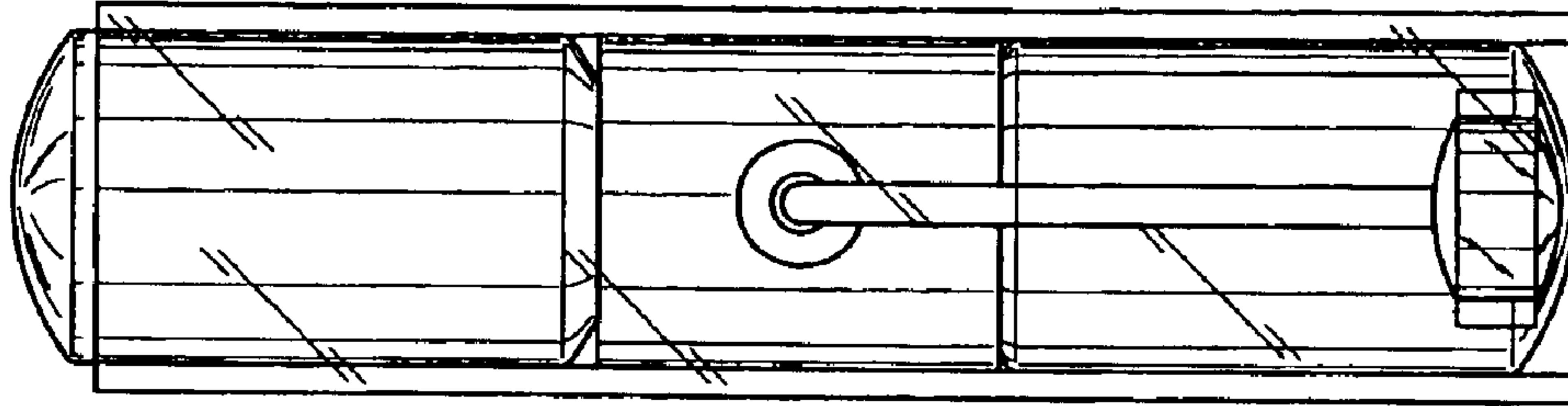


Fig. 3

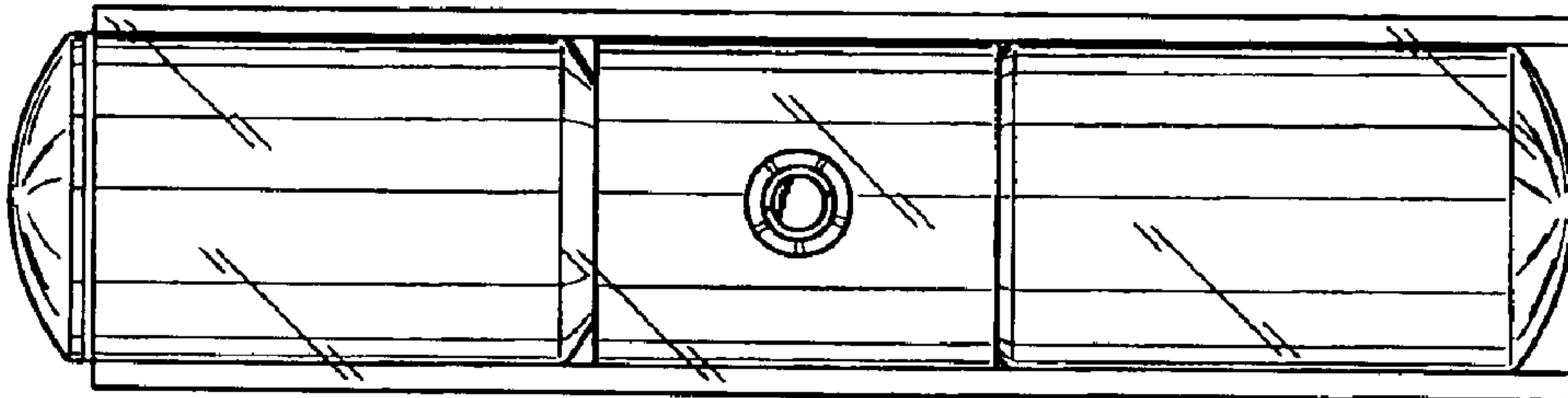


Fig. 2

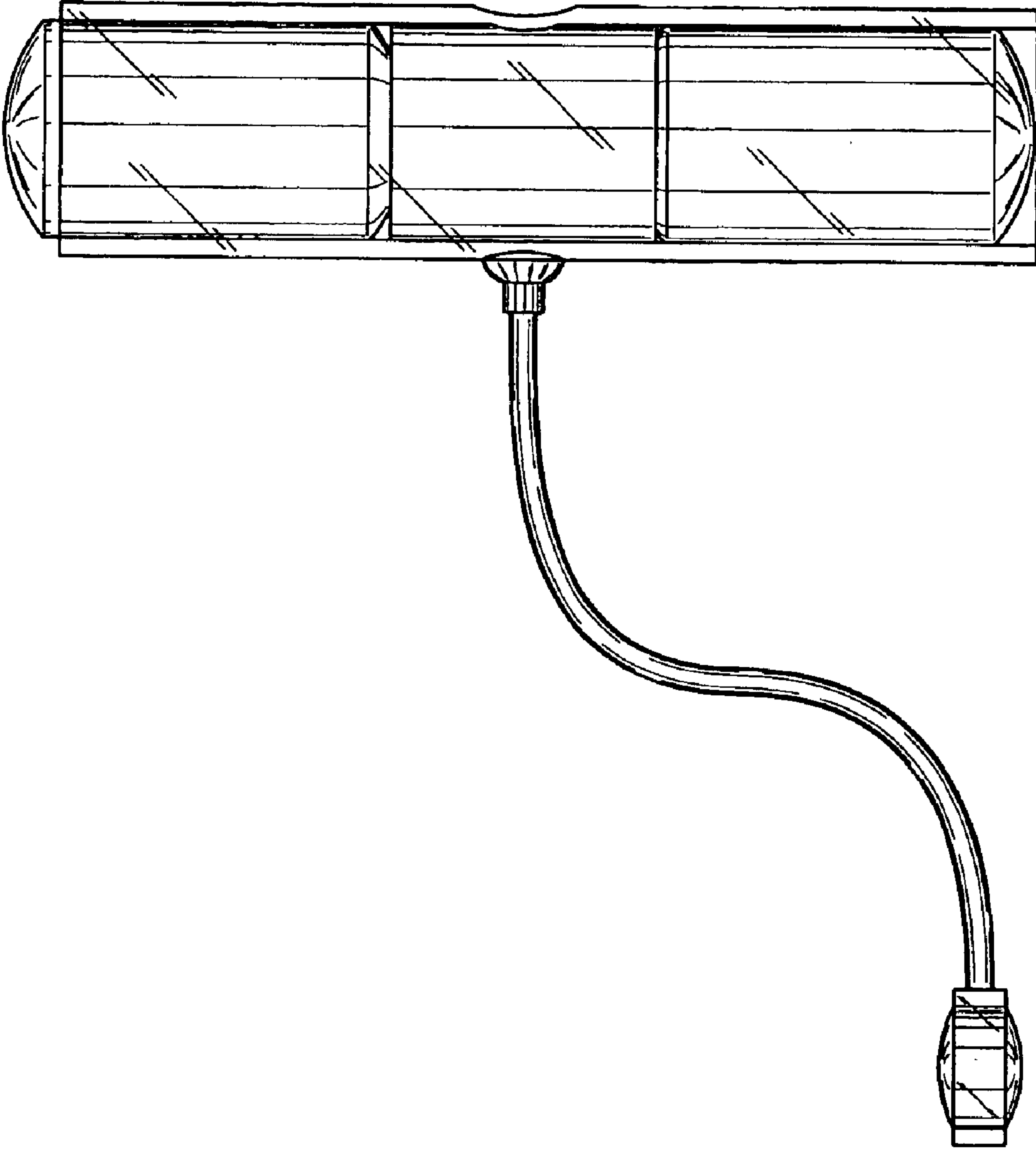


Fig. 4

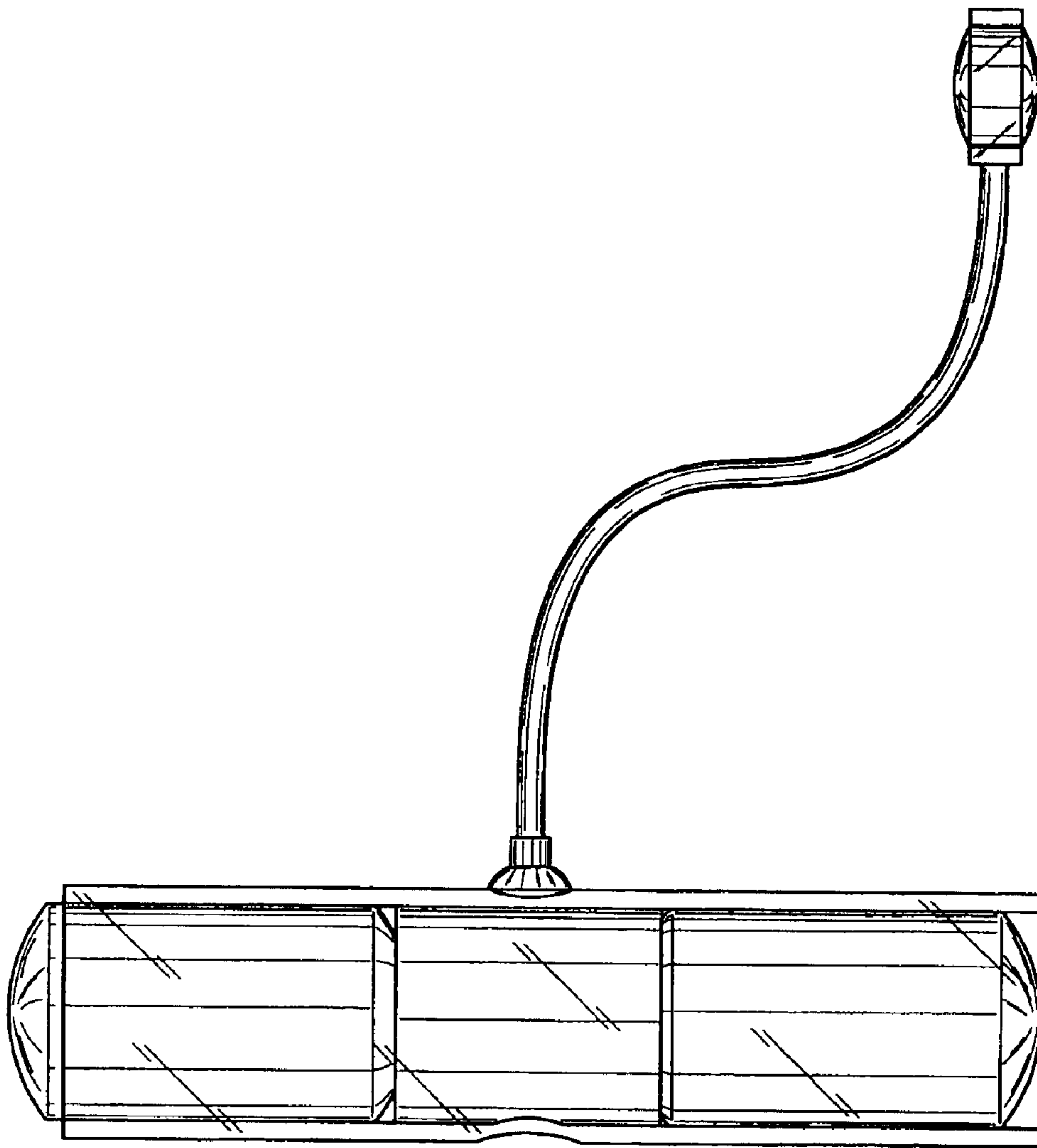
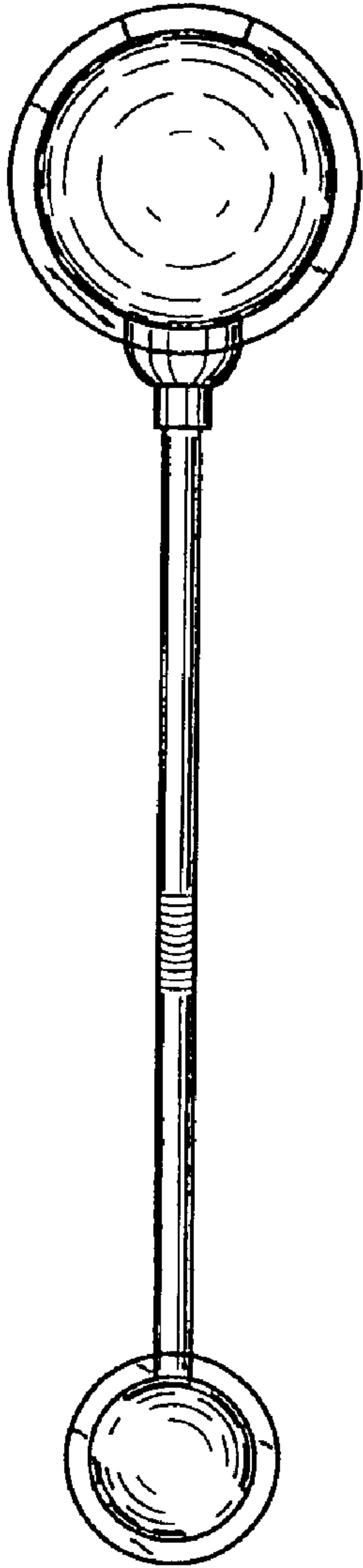
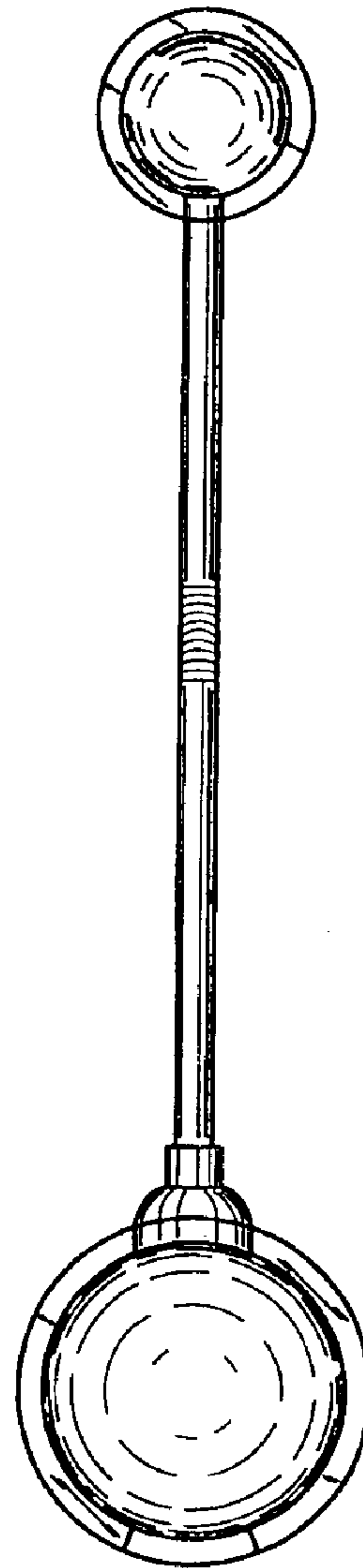


Fig. 5



*Fig. 6*



*Fig. 7*