



US00D537208S

(12) **United States Design Patent**
Shaljian

(10) **Patent No.:** **US D537,208 S**

(45) **Date of Patent:** **** Feb. 20, 2007**

(54) **ILLUMINATED TWEEZERS**

(76) **Inventor:** **Vartan Shaljian**, 7344 Laurel Canyon Blvd., North Hollywood, CA (US) 91605

(**) **Term:** **14 Years**

(21) **Appl. No.:** **29/237,221**

(22) **Filed:** **Aug. 25, 2005**

(51) **LOC (8) Cl.** **28-03**

(52) **U.S. Cl.** **D28/55**

(58) **Field of Classification Search** 606/211, 606/210, 133; D24/143; D28/55; 294/99.1, 294/99.2

See application file for complete search history.

(56) **References Cited**

U.S. PATENT DOCUMENTS

D253,974 S * 1/1980 Nalbandian D28/55

D454,981 S * 3/2002 Lamagna et al. D28/55

D472,675 S * 4/2003 Lamagna D28/55

D497,215 S 10/2004 Shaljian

D506,574 S * 6/2005 Yip D28/55

* cited by examiner

Primary Examiner—Jennifer Rivard

(74) *Attorney, Agent, or Firm*—Larry D. Johnson

(57) **CLAIM**

The ornamental design for illuminated tweezers, as shown and described.

DESCRIPTION

FIG. 1 is an upper right front perspective view;

FIG. 2 is a top plan view;

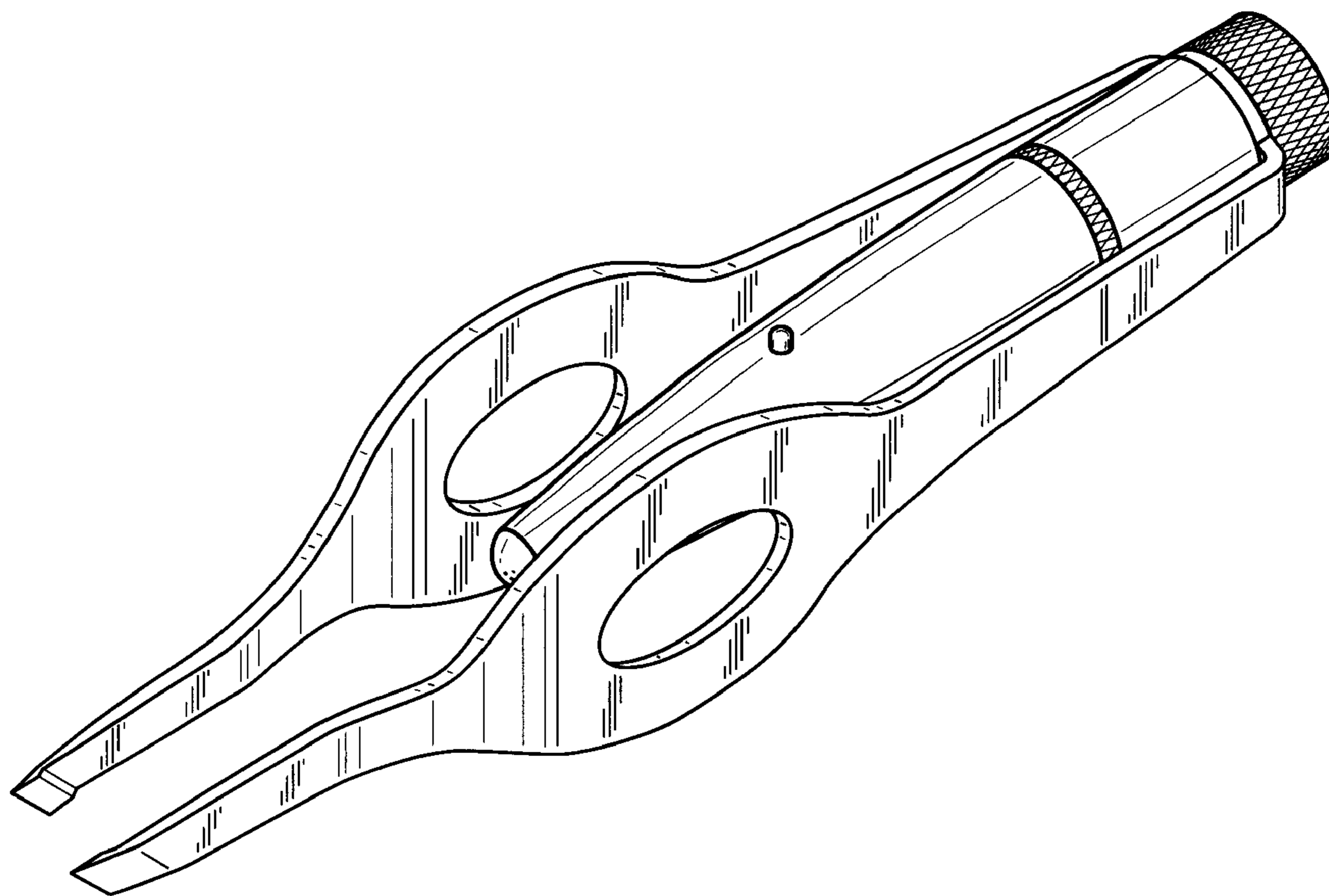
FIG. 3 is a left side elevational view;

FIG. 4 is a bottom plan view;

FIG. 5 is a rear view in elevation; and,

FIG. 6 is a front view in elevation.

1 Claim, 2 Drawing Sheets



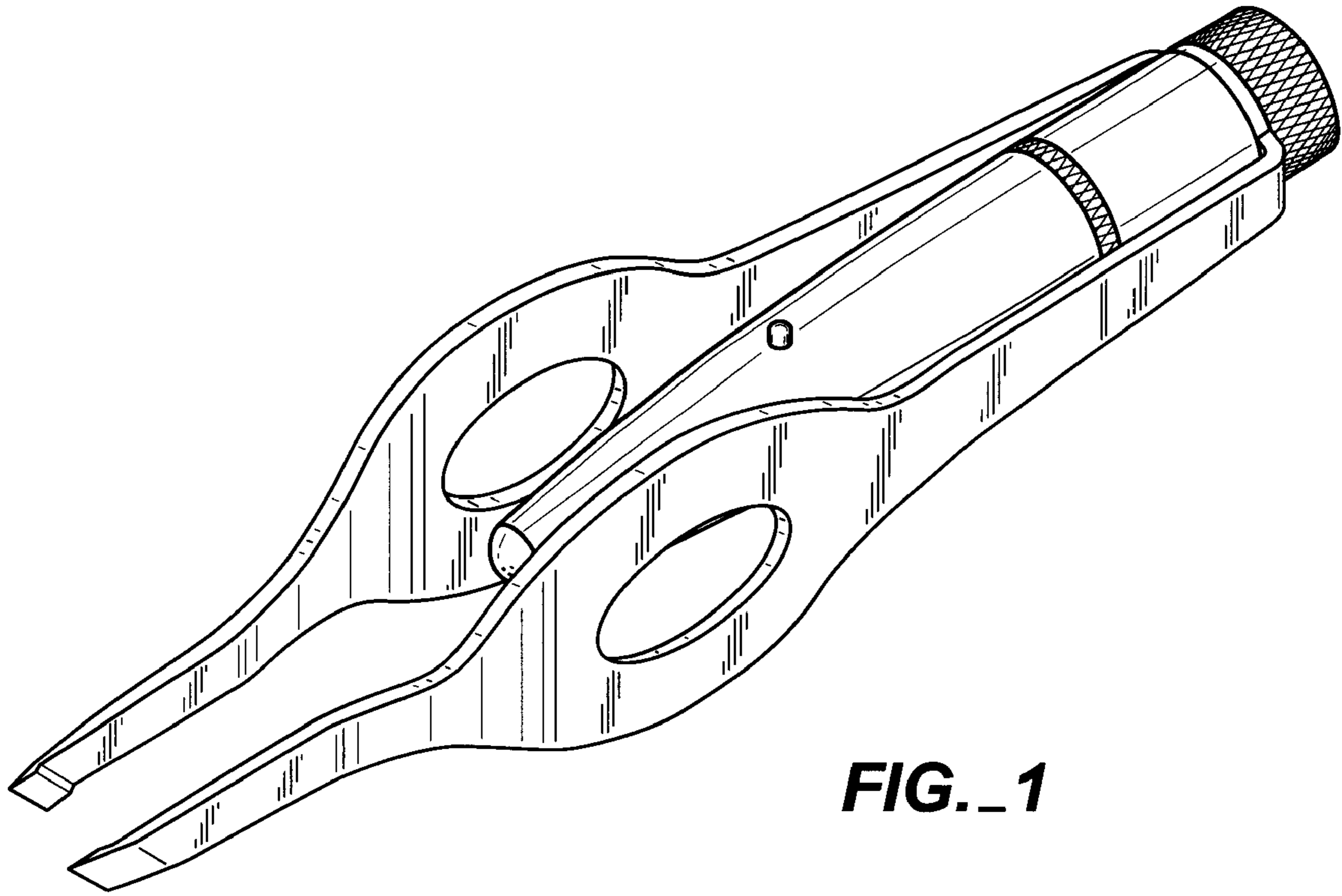


FIG._1

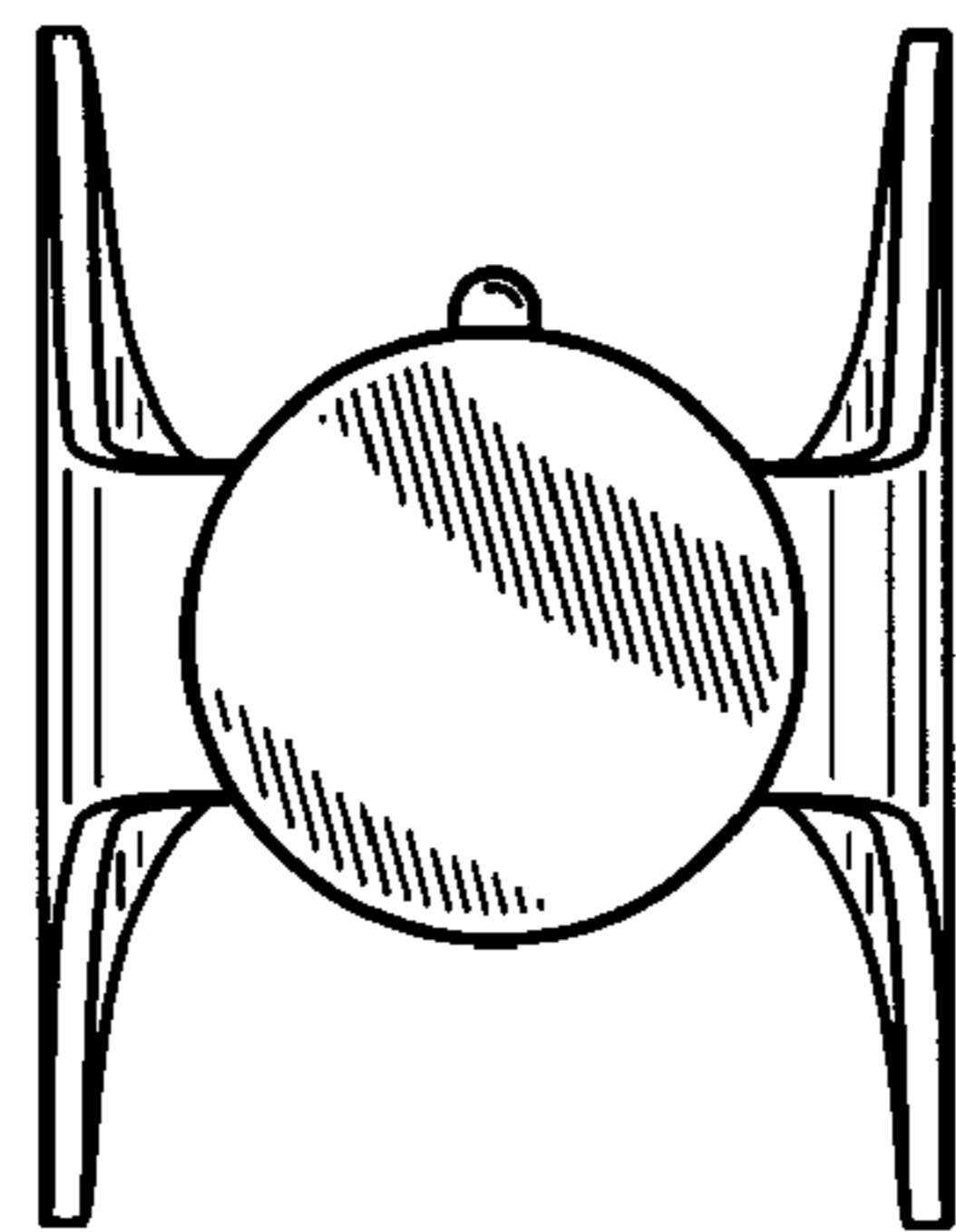


FIG._5

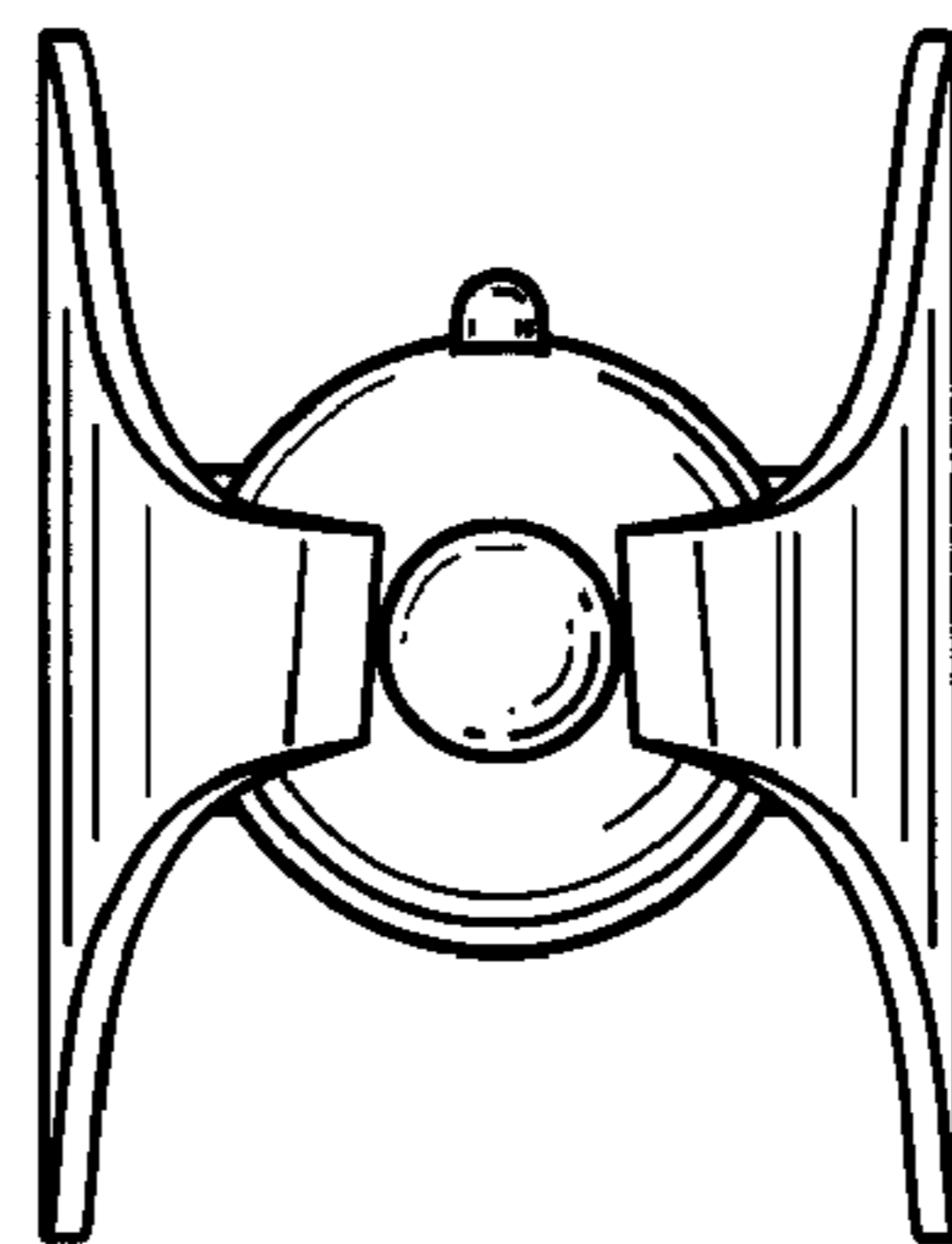


FIG._6

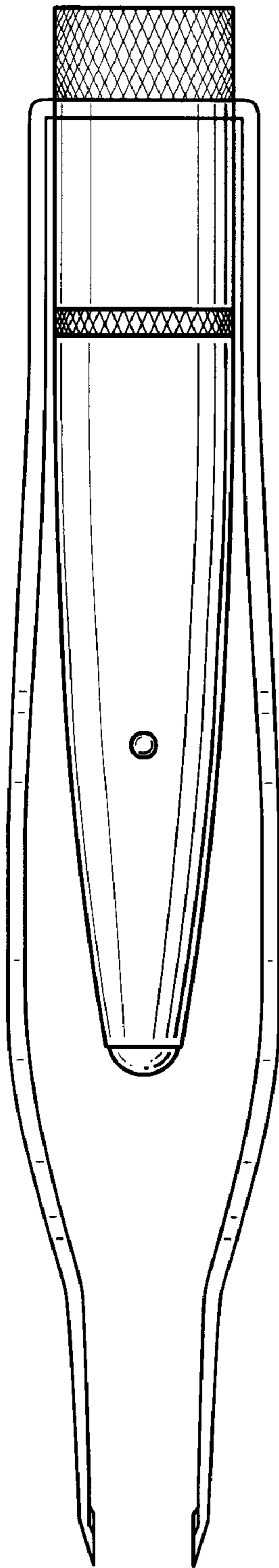


FIG. 2



FIG. 3



FIG. 4