



US00D537206S

(12) **United States Design Patent**
Ullmann

(10) **Patent No.:** **US D537,206 S**
(45) **Date of Patent:** **** Feb. 20, 2007**

(54) **ELECTRIC SHAVER**

(75) Inventor: **Roland Ullmann**, Offenbach (DE)

(73) Assignee: **Braun GmbH**, Kronberg (DE)

(**) Term: **14 Years**

(21) Appl. No.: **29/251,503**

(22) Filed: **Jan. 9, 2006**

(30) **Foreign Application Priority Data**

Oct. 13, 2005 (EM) 000415401

(51) **LOC (8) Cl.** **28-03**

(52) **U.S. Cl.** **D28/49**

(58) **Field of Classification Search** 30/32,
30/34.05, 34.1, 34.2, 41-41.6, 43-43.92,
30/44-45, 47-50, 526-533; D28/44-46,
D28/49-54

See application file for complete search history.

(56) **References Cited**

U.S. PATENT DOCUMENTS

D286,451 S	*	10/1986	Ullmann	D28/49
D315,227 S	*	3/1991	Mockovak	D28/49
D341,907 S	*	11/1993	Ullmann	D28/49
D400,302 S	*	10/1998	Ullmann	D28/49
6,000,135 A	*	12/1999	Ullmann et al.	30/43.92
D439,702 S	*	3/2001	Sulik	D28/49

* cited by examiner

Primary Examiner—Jennifer Rivard

(74) *Attorney, Agent, or Firm*—Fish & Richardson P.C.

(57) **CLAIM**

The ornamental design for an electric shaver, as shown and described.

DESCRIPTION

FIG. 1 is a top front perspective view of a dry shaver showing my design

FIG. 2 is a front view of FIG. 1

FIG. 3 is a side view of FIG. 1

FIG. 4 is a side view of FIG. 1

FIG. 5 is a rear view of FIG. 1

FIG. 6 is a top plan view of FIG. 1

FIG. 7 is a bottom plan view of FIG. 1

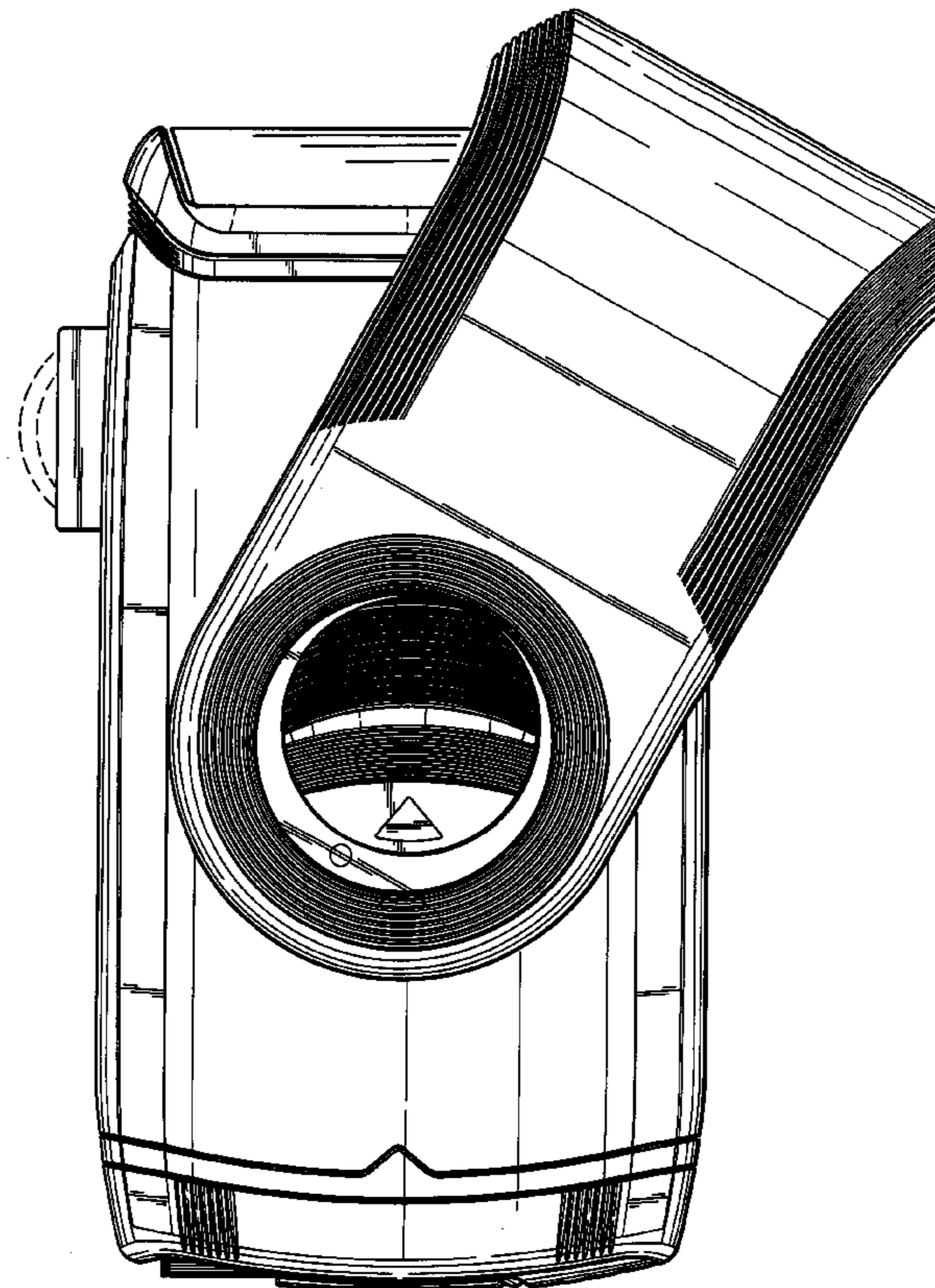
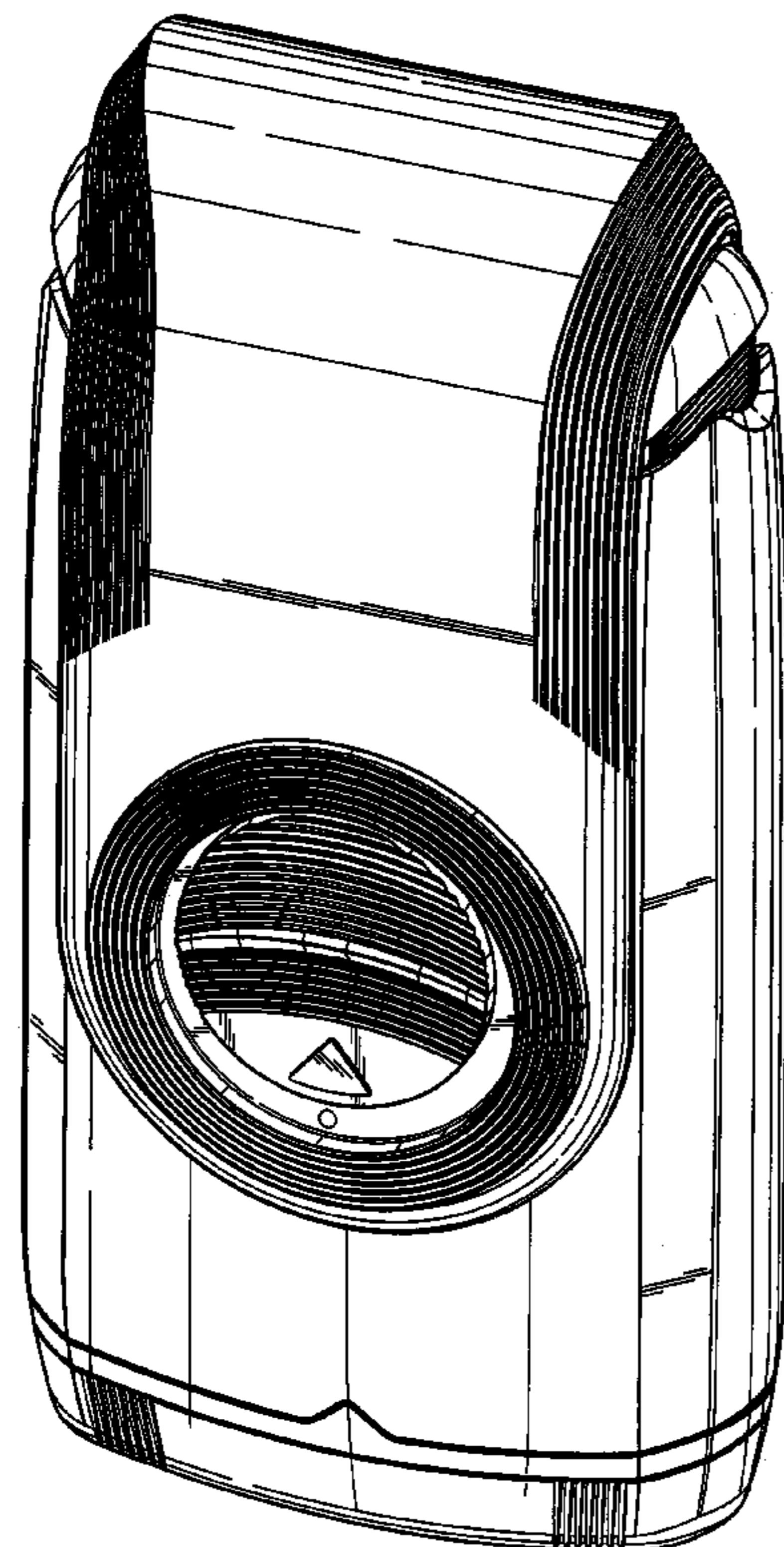
FIG. 8 is a front view showing my design inverted with respect to FIGS. 1-7 and with the cover rotated 180 degrees to expose the shaver head

FIG. 9 is a rear view showing my design inverted with respect to FIGS. 1-7 and with the cover rotated 180 degrees to expose the shaver head; and,

FIG. 10 is a front view showing my design inverted with respect to FIGS. 8+9 and with the cover rotated 45 degrees to expose the shaver head.

The broken lines are shown for illustrative purposes only and form no part of the claimed design.

1 Claim, 9 Drawing Sheets



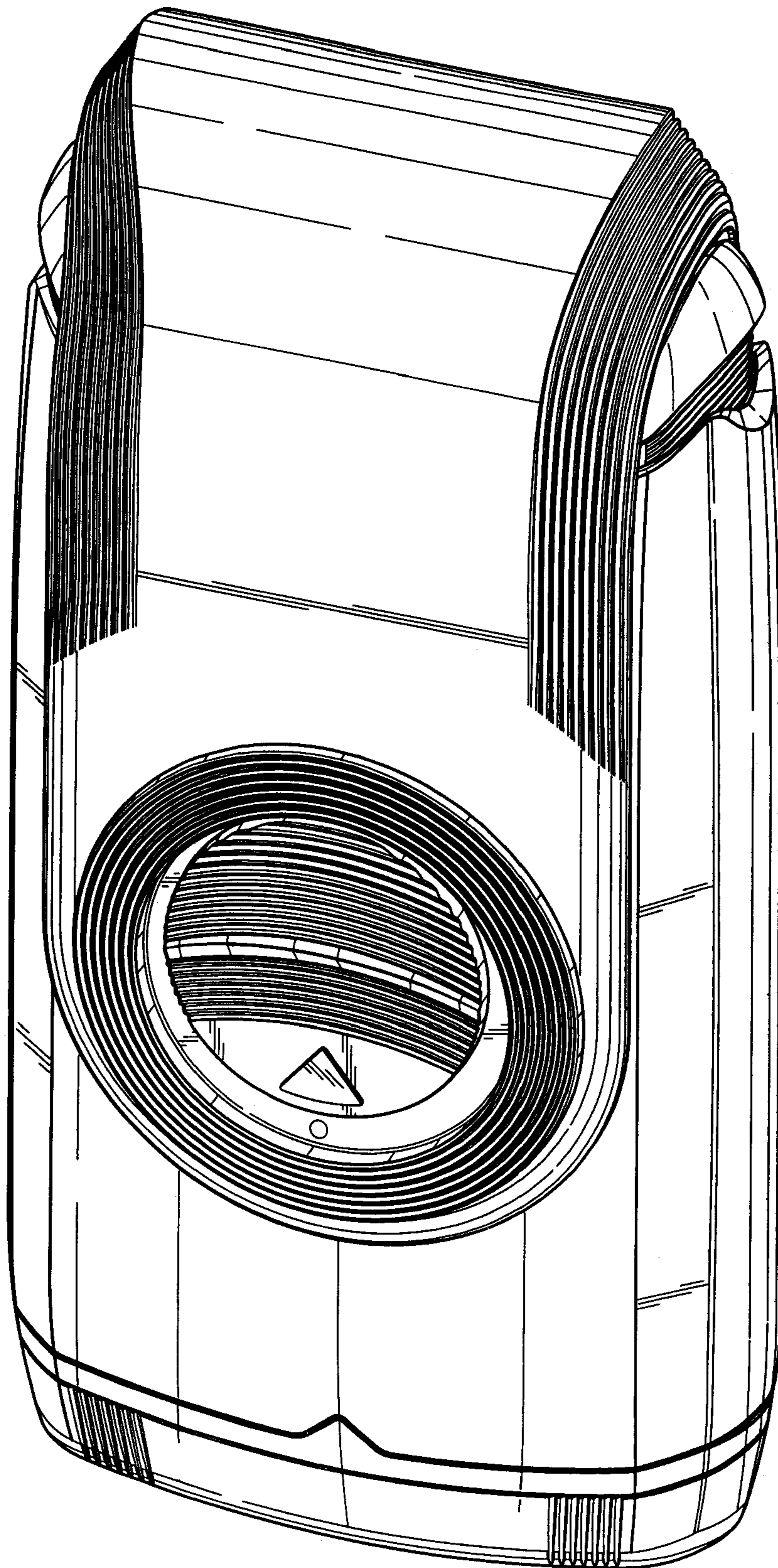


FIG. 1

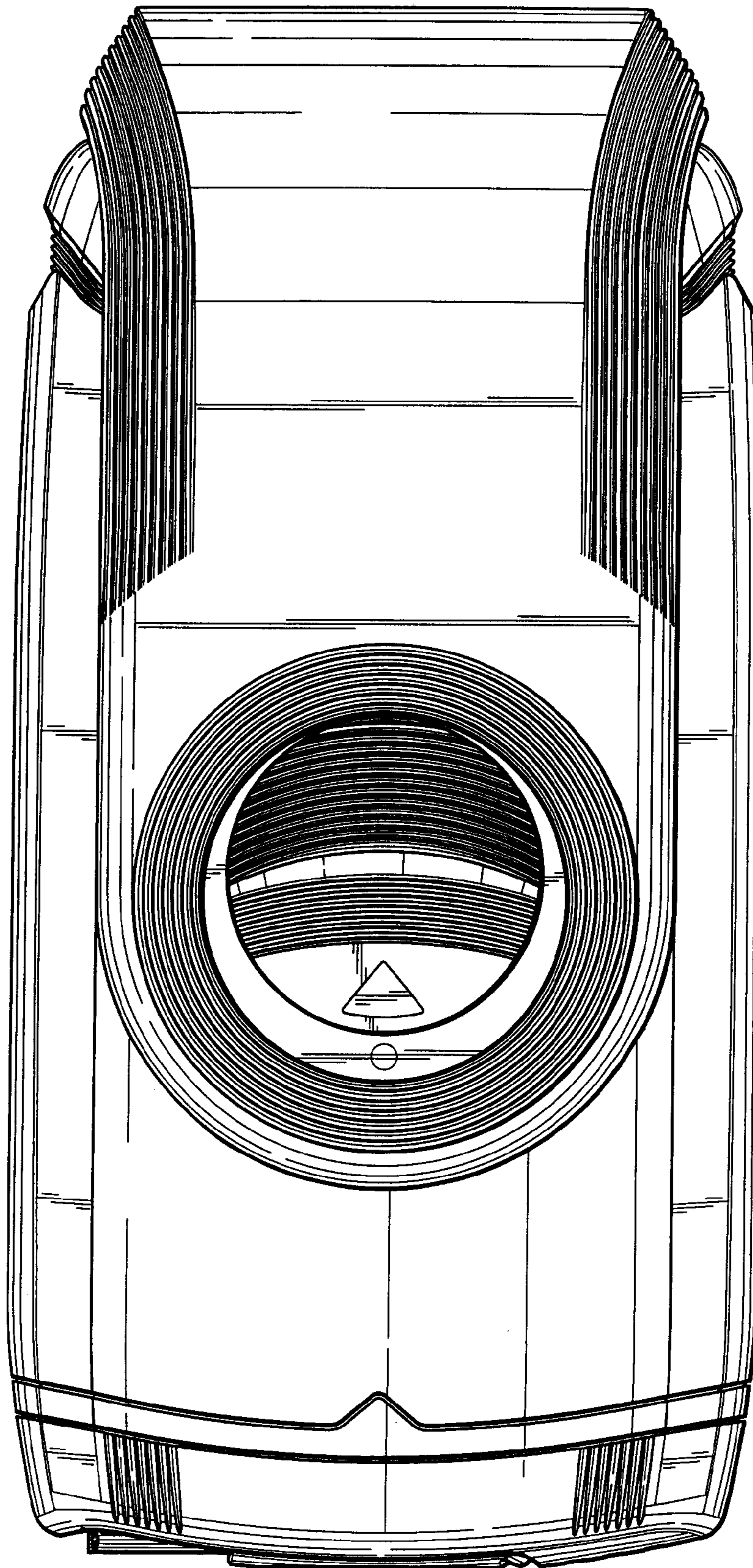


FIG. 2

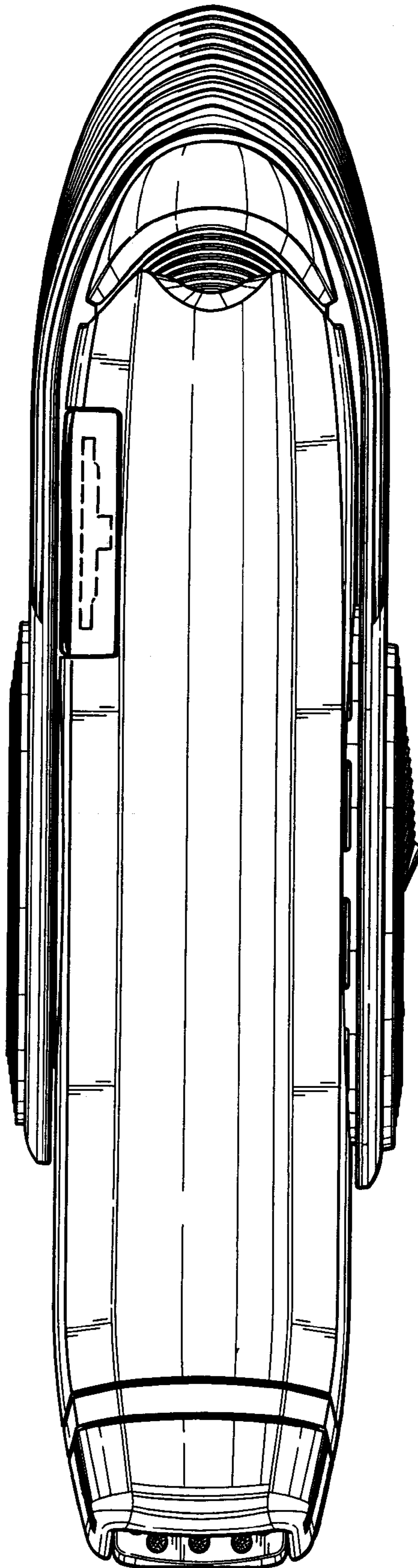


FIG. 3

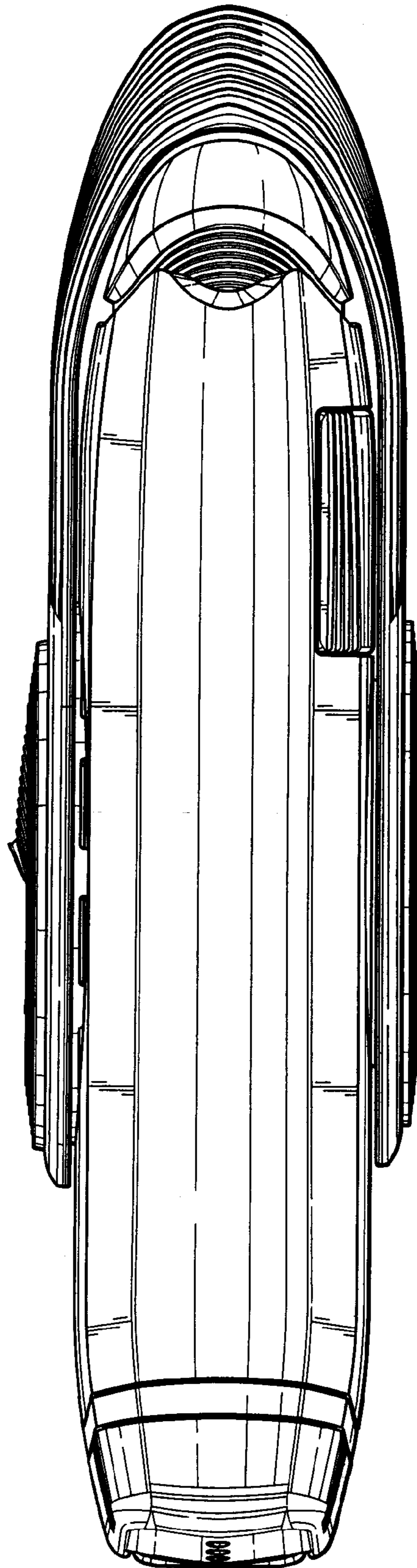


FIG. 4

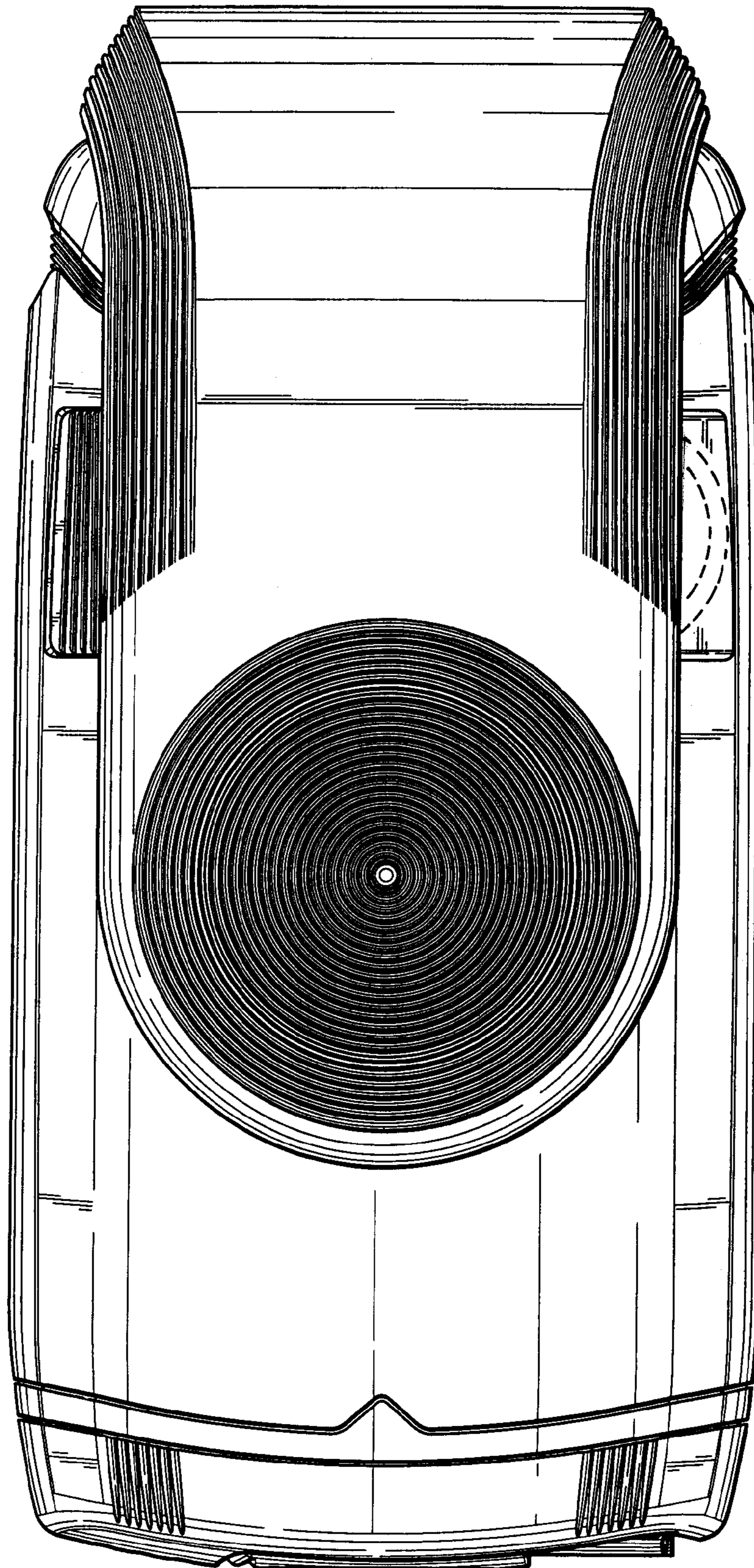


FIG. 5

FIG. 6

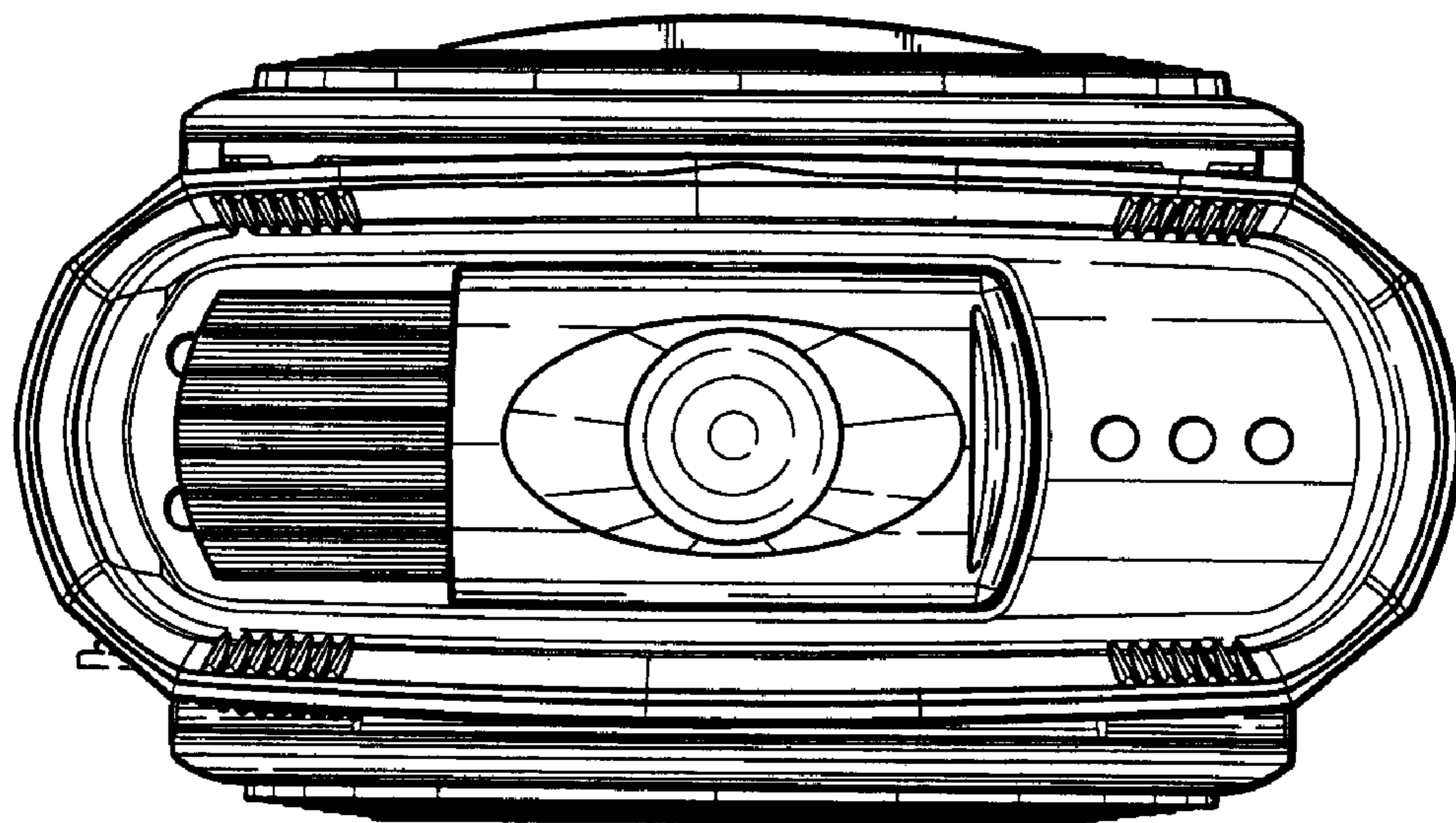
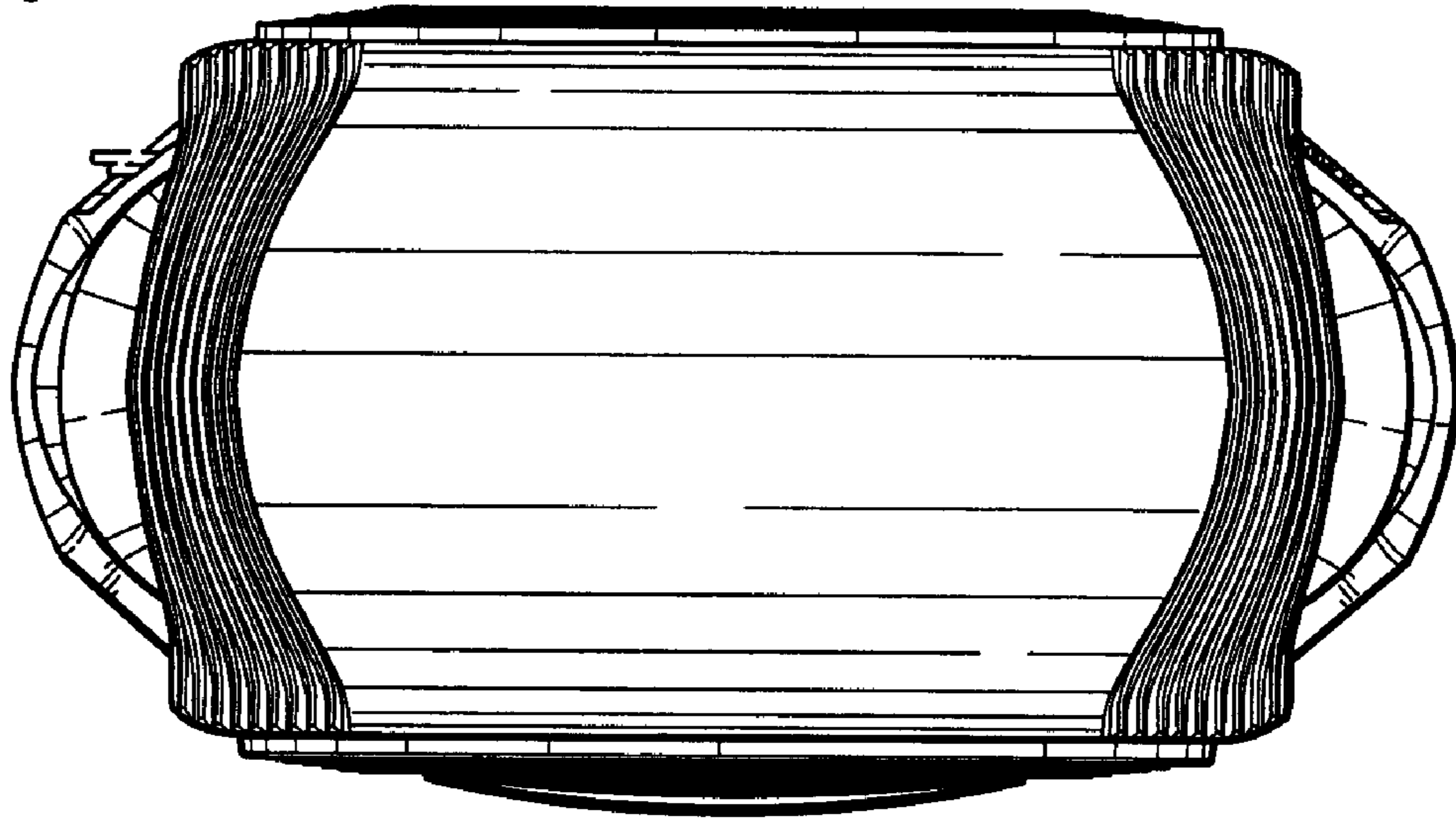


FIG. 7

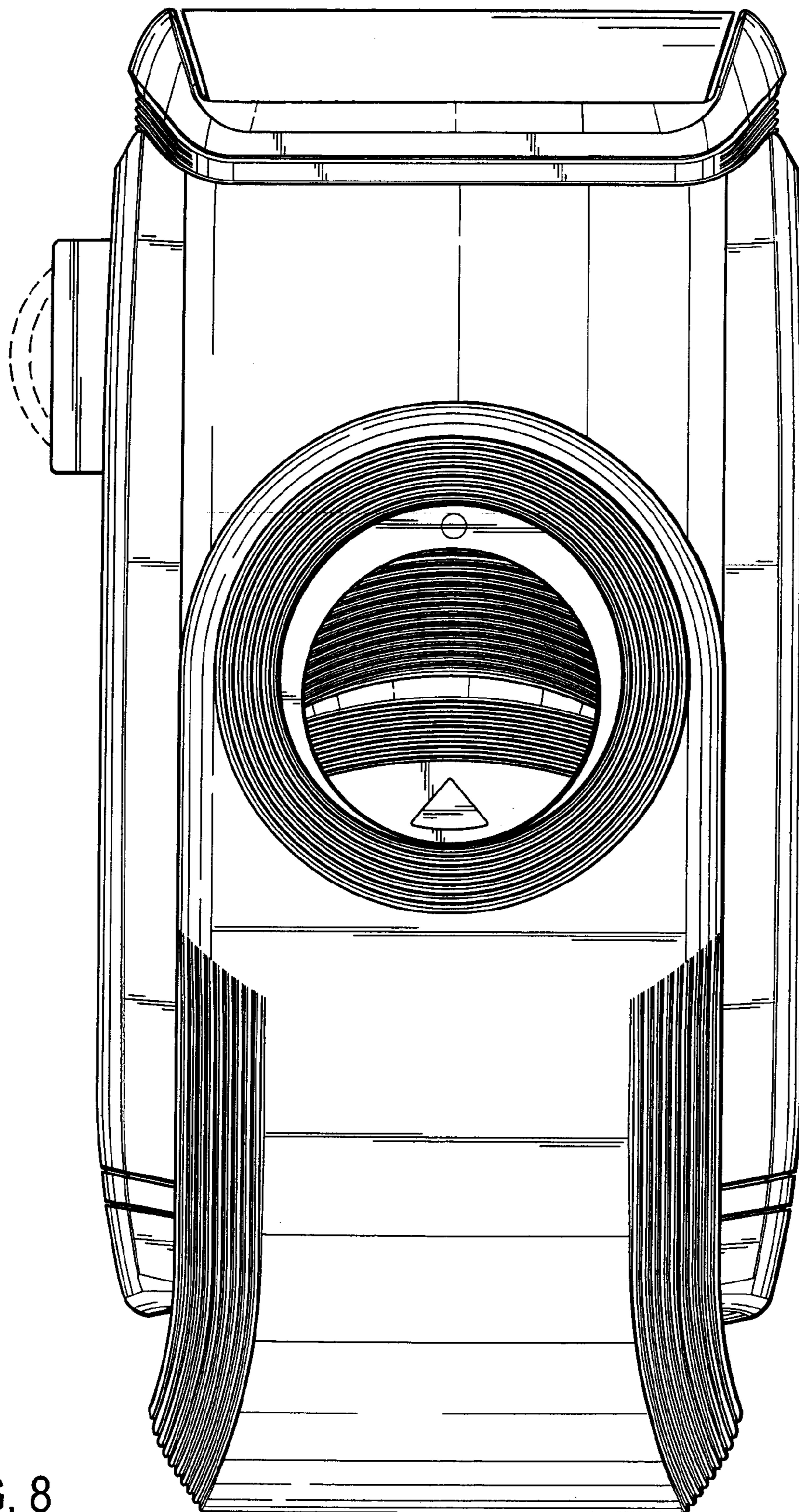


FIG. 8

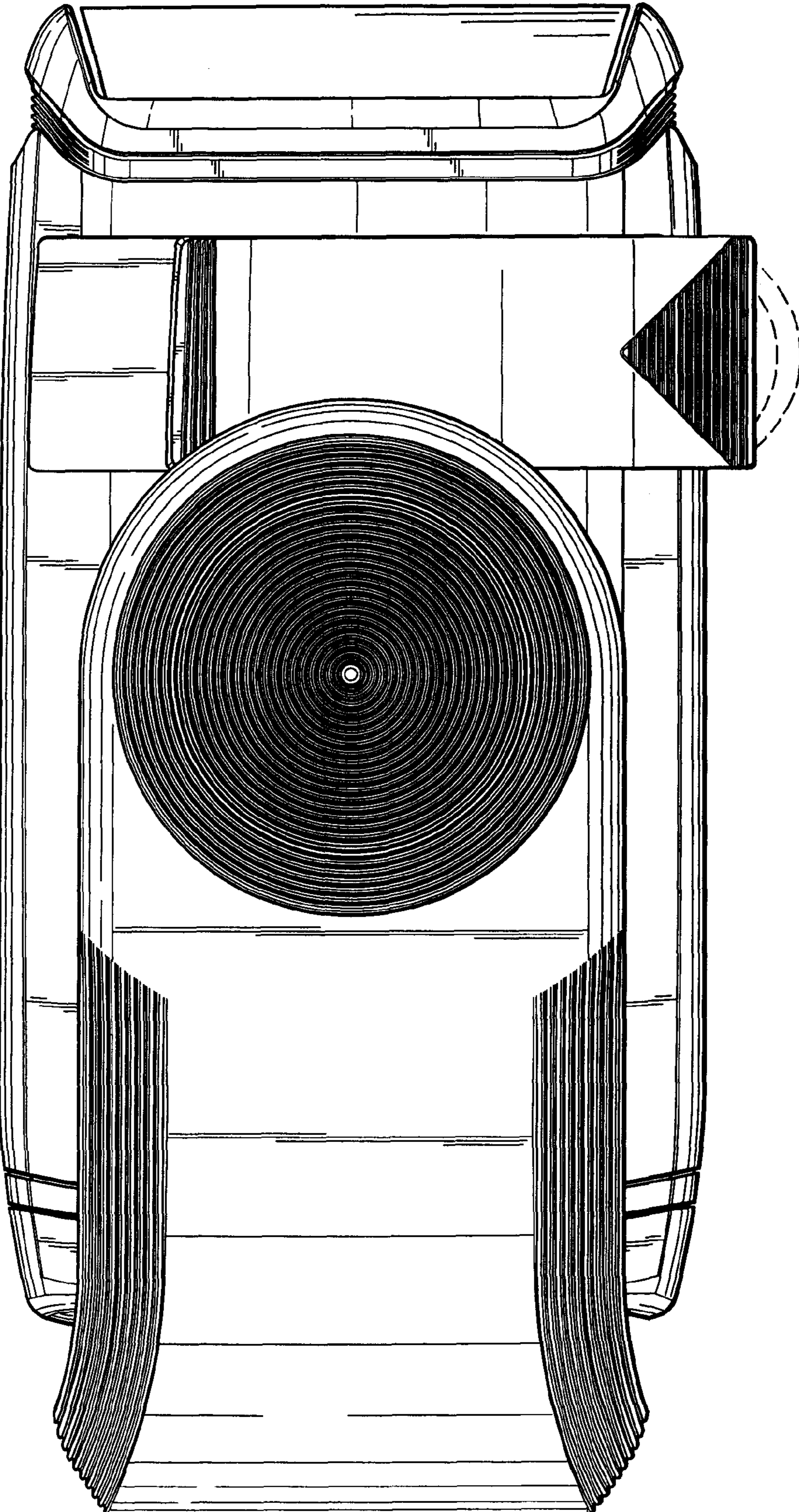


FIG. 9

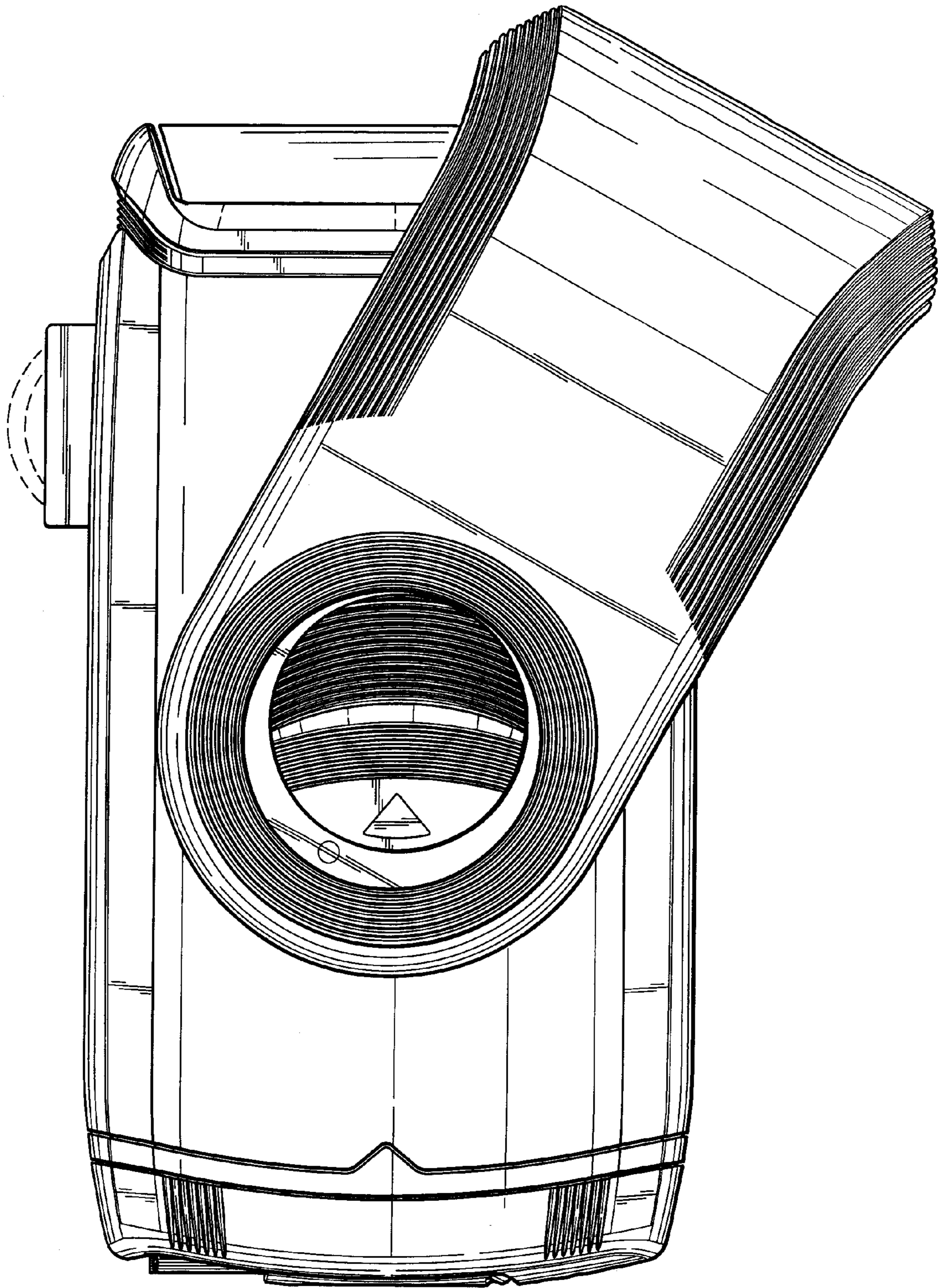


FIG. 10