



US00D537194S

(12) **United States Design Patent** (10) **Patent No.:** **US D537,194 S**
Lehman et al. (45) **Date of Patent:** **** Feb. 20, 2007**

(54) **LAMPHOLDER**

(75) Inventors: **Gregg Lehman**, Peachtree City, GA (US); **Christopher Bryant**, Peachtree City, GA (US)

(73) Assignee: **Cooper Technologies Company**, Houston, TX (US)

(**) Term: **14 Years**

(21) Appl. No.: **29/252,525**

(22) Filed: **Jan. 24, 2006**

Related U.S. Application Data

(63) Continuation of application No. 29/233,364, filed on Jun. 30, 2005.

(51) **LOC (8) Cl.** **26-99**

(52) **U.S. Cl.** **D26/138**

(58) **Field of Classification Search** D26/37, D26/38-50, 60-65, 118, 123, 137, 138, 142, D26/152; D23/379, 370; 362/269, 275
See application file for complete search history.

(56) **References Cited**

U.S. PATENT DOCUMENTS

- D98,105 S * 1/1936 Arenberg D26/24
- D129,357 S * 9/1941 Greppin D26/86
- D202,727 S * 11/1965 Hahn D26/65
- D206,973 S * 2/1967 De Lisio D23/370
- D315,420 S * 3/1991 Layne D26/63
- D323,565 S * 1/1992 Woodgate D26/63
- D370,069 S * 5/1996 Mier-Langner et al. D26/63
- D385,372 S * 10/1997 Mier-Langner et al. D26/63
- D389,260 S * 1/1998 Mier-Langner et al. D26/63
- D389,261 S * 1/1998 Lin D26/65

- D394,723 S * 5/1998 Mier-Langner et al. D26/63
- 6,004,005 A 12/1999 Demshki, Jr.
- D439,998 S * 4/2001 Lin D26/63
- D443,093 S * 5/2001 Chiang D26/65
- D454,218 S * 3/2002 Rahn D26/62
- D475,478 S * 6/2003 Ruston D26/63
- D483,903 S * 12/2003 Skradski et al. D26/118
- D508,752 S * 8/2005 Wachter D26/118
- 2003/0099109 A1 * 5/2003 Wu 362/370

* cited by examiner

Primary Examiner—Freda Nunn

Assistant Examiner—Kevin K. Rudzinski

(74) *Attorney, Agent, or Firm*—SAIDMAN DesignLaw Group

(57) **CLAIM**

The ornamental design for a lampholder, as shown and described.

DESCRIPTION

This application is related to co-pending applications: Ser. No. 11/322,837, filed Dec. 30, 2005 and titled “Halo Flex Track”; Ser. No. 11/324,099, filed Dec. 30, 2005 and titled “Halo Power Supplies”; Ser. No. 11/323,231, filed Dec. 30, 2005 and titled “Halo Clam Shell Connections”; and Ser. No. 11/323,755, filed Dec. 30, 2005 and titled “Halo Hubs and Connections”.

FIG. 1 is a top, front perspective view of a lampholder showing our new design;

FIG. 2 is a front view thereof;

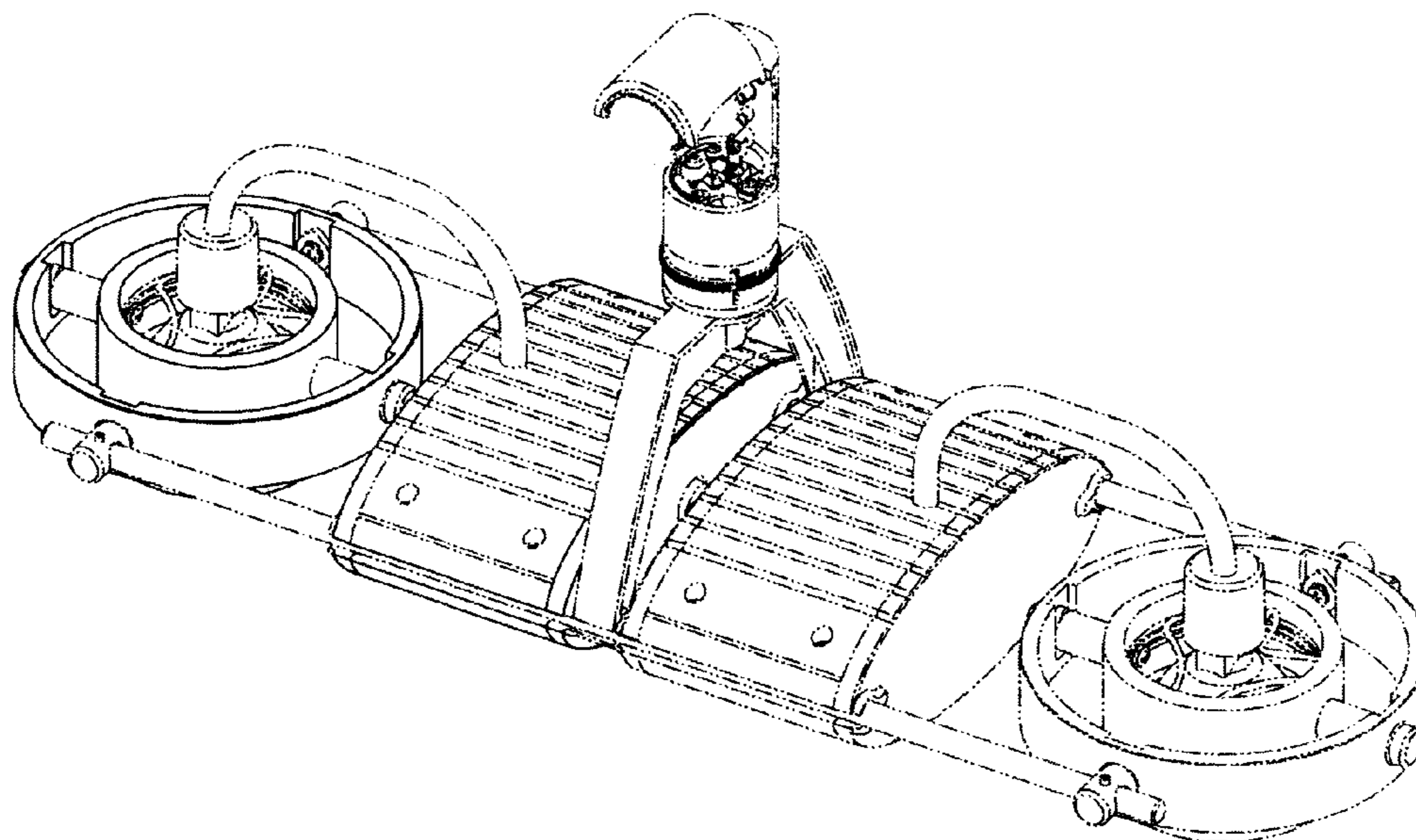
FIG. 3 is a left side view thereof;

FIG. 4 is a top view thereof; and,

FIG. 5 is a bottom view thereof.

The broken lines form no part of the claimed design.

1 Claim, 3 Drawing Sheets



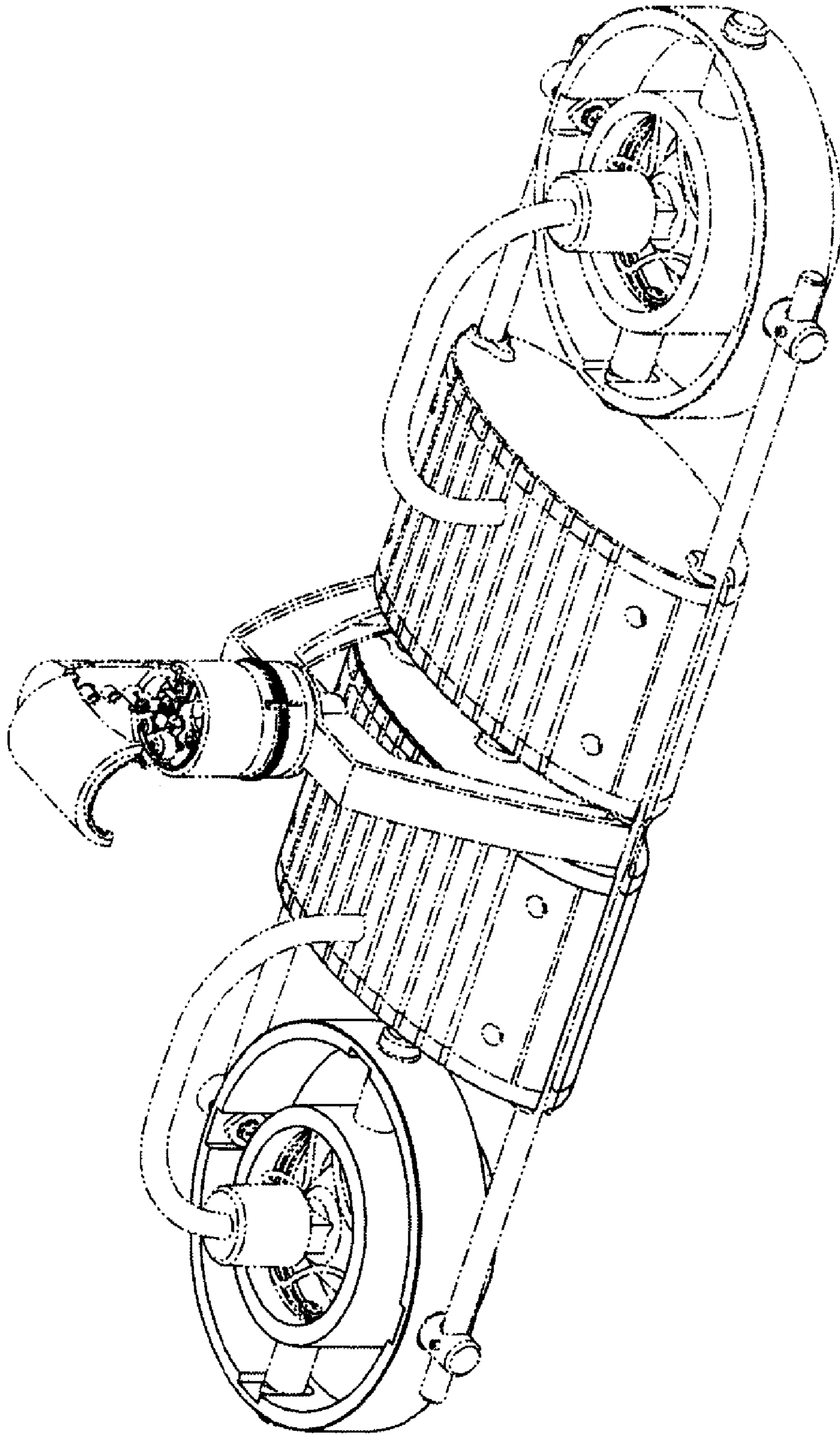


Fig. 1

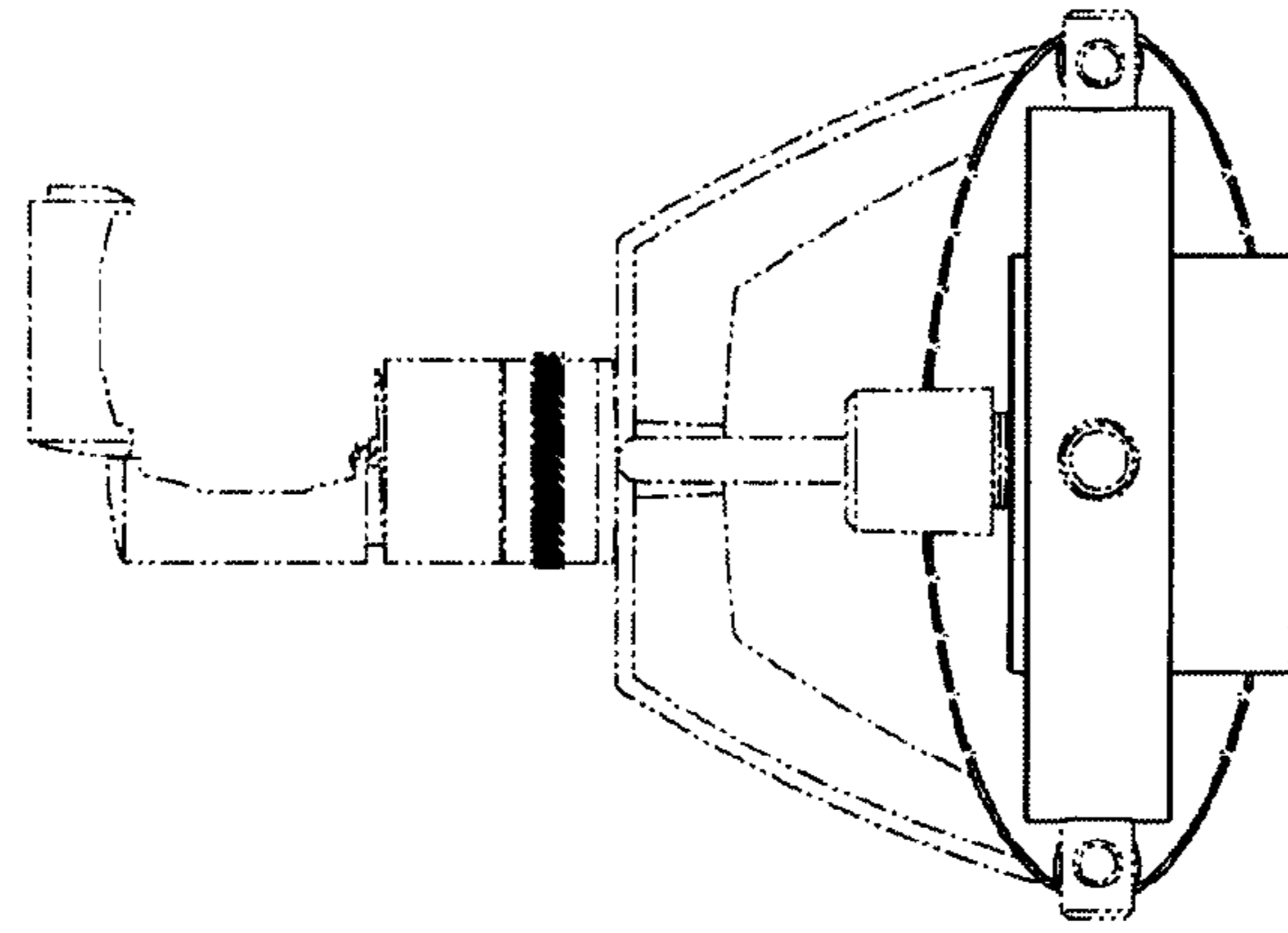


Fig. 3

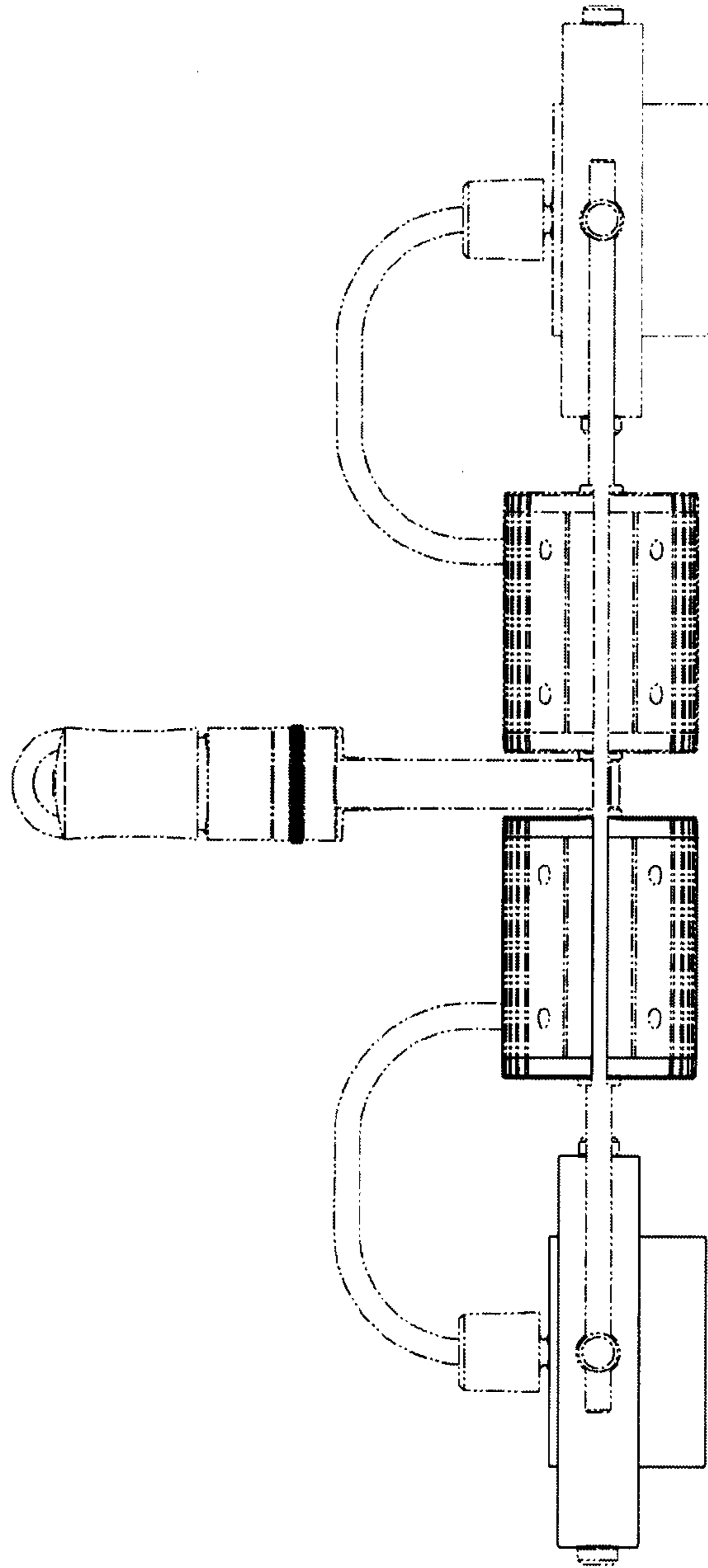


Fig. 2

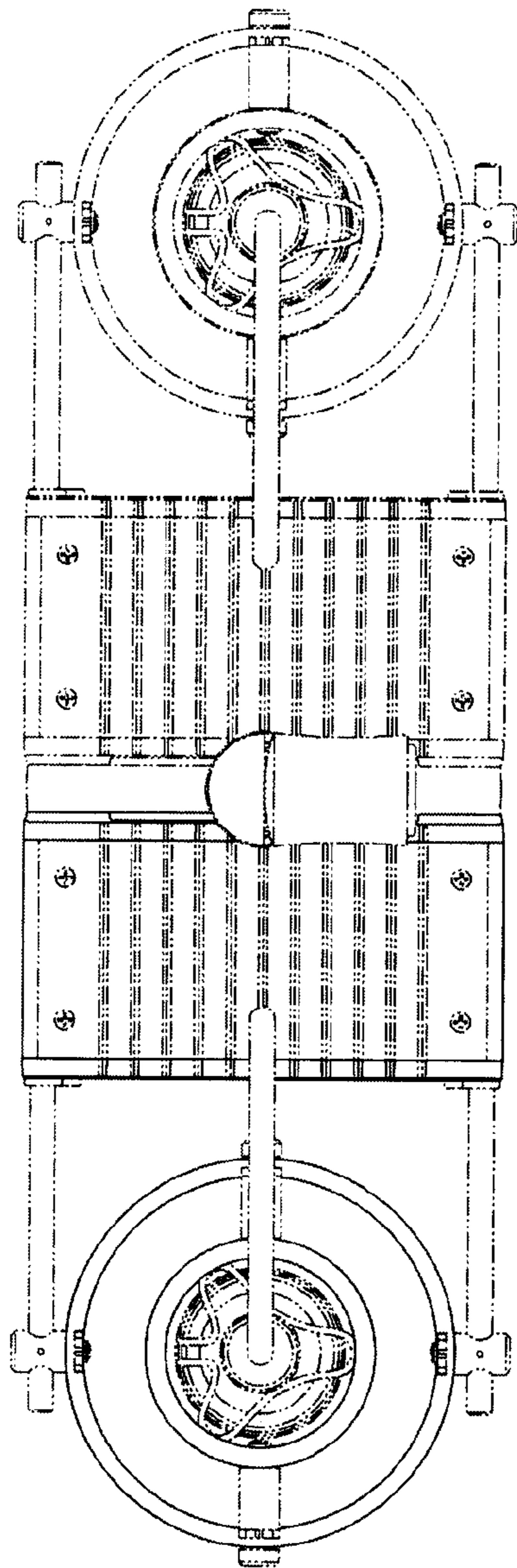


Fig. 4

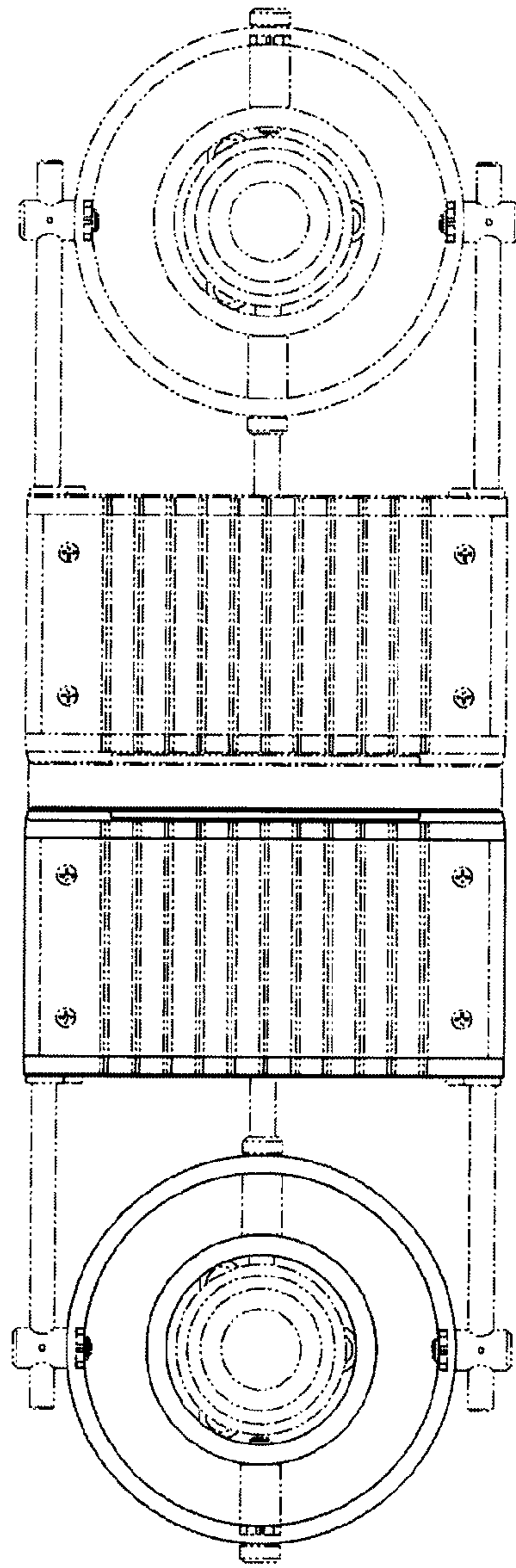


Fig. 5