



US00D537190S

(12) **United States Design Patent**
Lyall, III et al.

(10) **Patent No.:** **US D537,190 S**

(45) **Date of Patent:** **** Feb. 20, 2007**

(54) **DIGITAL CANDLE**

(75) Inventors: **Lucian Hite Lyall, III**, Coto De Caza, CA (US); **Christopher M. Enright**, Ladera Ranch, CA (US)

(73) Assignee: **STO Corporation**, Riverside, CA (US)

(**) Term: **14 Years**

(21) Appl. No.: **29/239,627**

(22) Filed: **Sep. 30, 2005**

(51) **LOC (8) Cl.** **26-03**

(52) **U.S. Cl.** **D26/96**

(58) **Field of Classification Search** D26/1-7,
D26/16, 93-112; 362/410-415, 392, 810,
362/800, 253

See application file for complete search history.

(56) **References Cited**

U.S. PATENT DOCUMENTS

D406,379 S * 3/1999 Andrews D26/96

D474,854 S * 5/2003 Lam D26/96
2005/0196716 A1 * 9/2005 Haab et al. 362/810
2006/0120080 A1 * 6/2006 Sipinski et al. 362/253

* cited by examiner

Primary Examiner—Alan P. Douglas

Assistant Examiner—Linda Brooks

(74) *Attorney, Agent, or Firm*—Curtis L. Harrington; Kathy E. Harrington; Harrington & Harrington

(57) **CLAIM**

The ornamental design for an digital candle, as shown and described.

DESCRIPTION

FIG. 1 is a perspective view of the digital candle;
FIG. 2 is a front view;
FIG. 3 is a rear view;
FIG. 4 is a right side view;
FIG. 5 is a left side view;
FIG. 6 is a top view; and,
FIG. 7 is a bottom view.

1 Claim, 2 Drawing Sheets

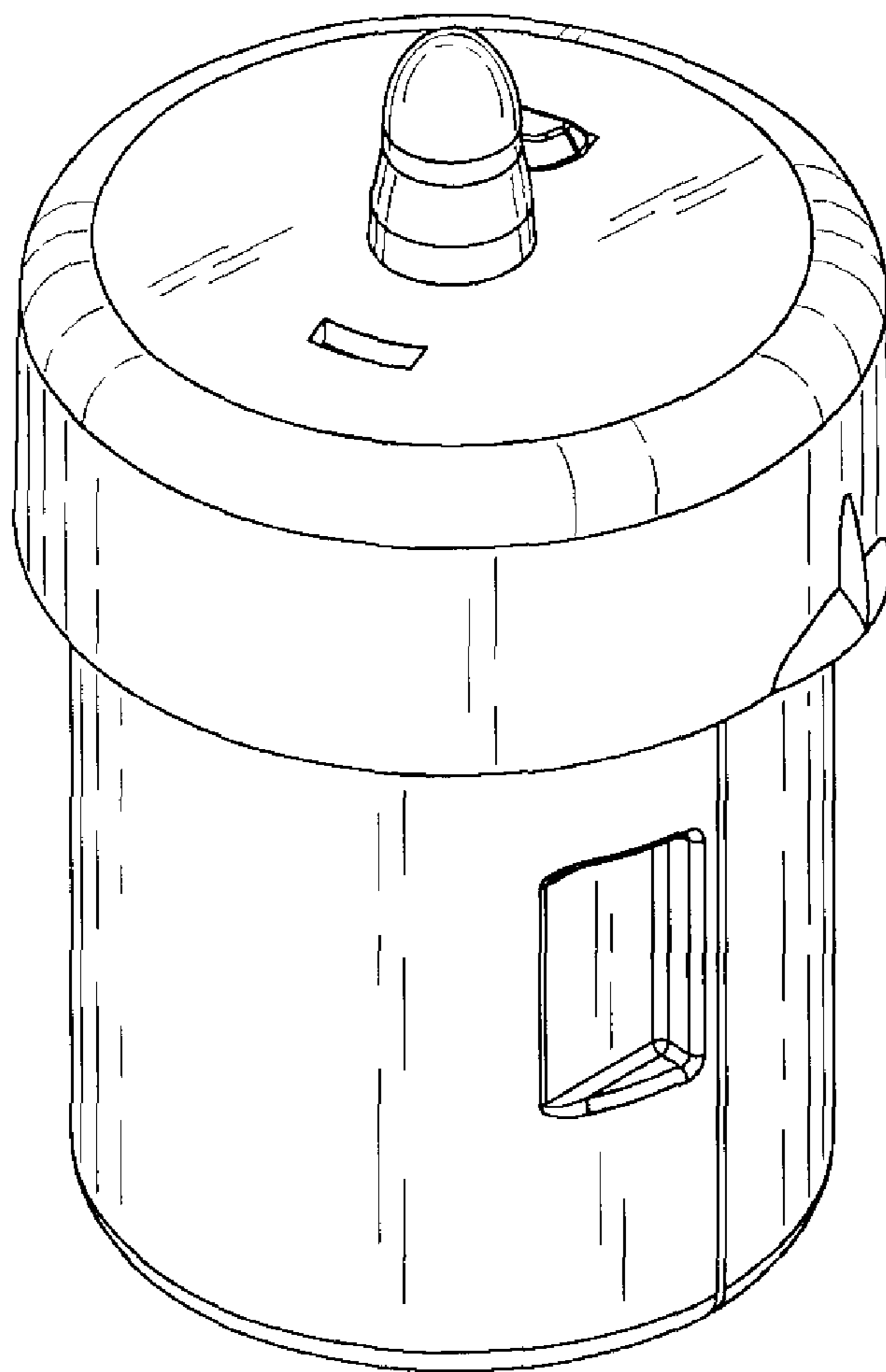


Fig. 1

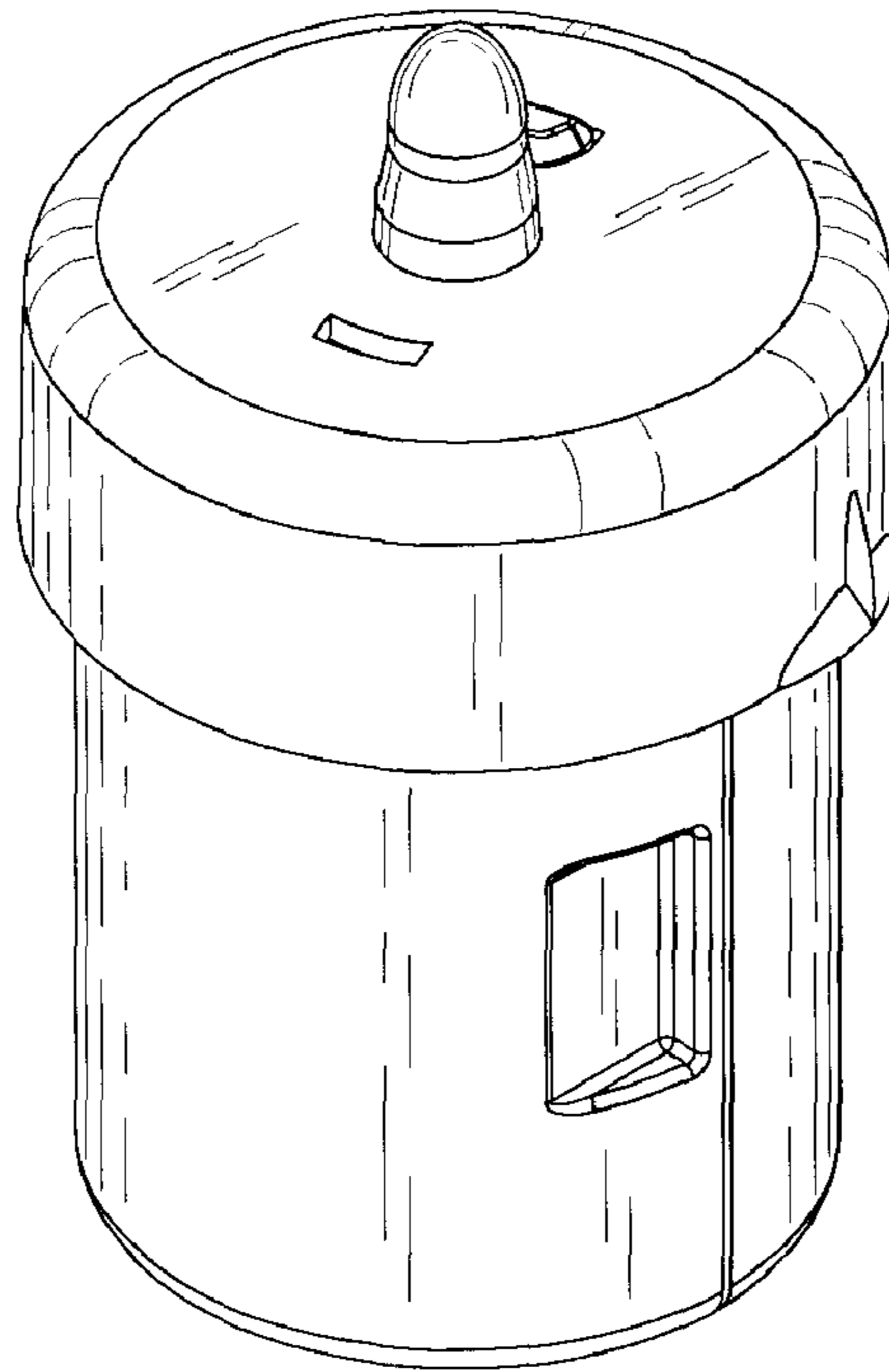


Fig. 2

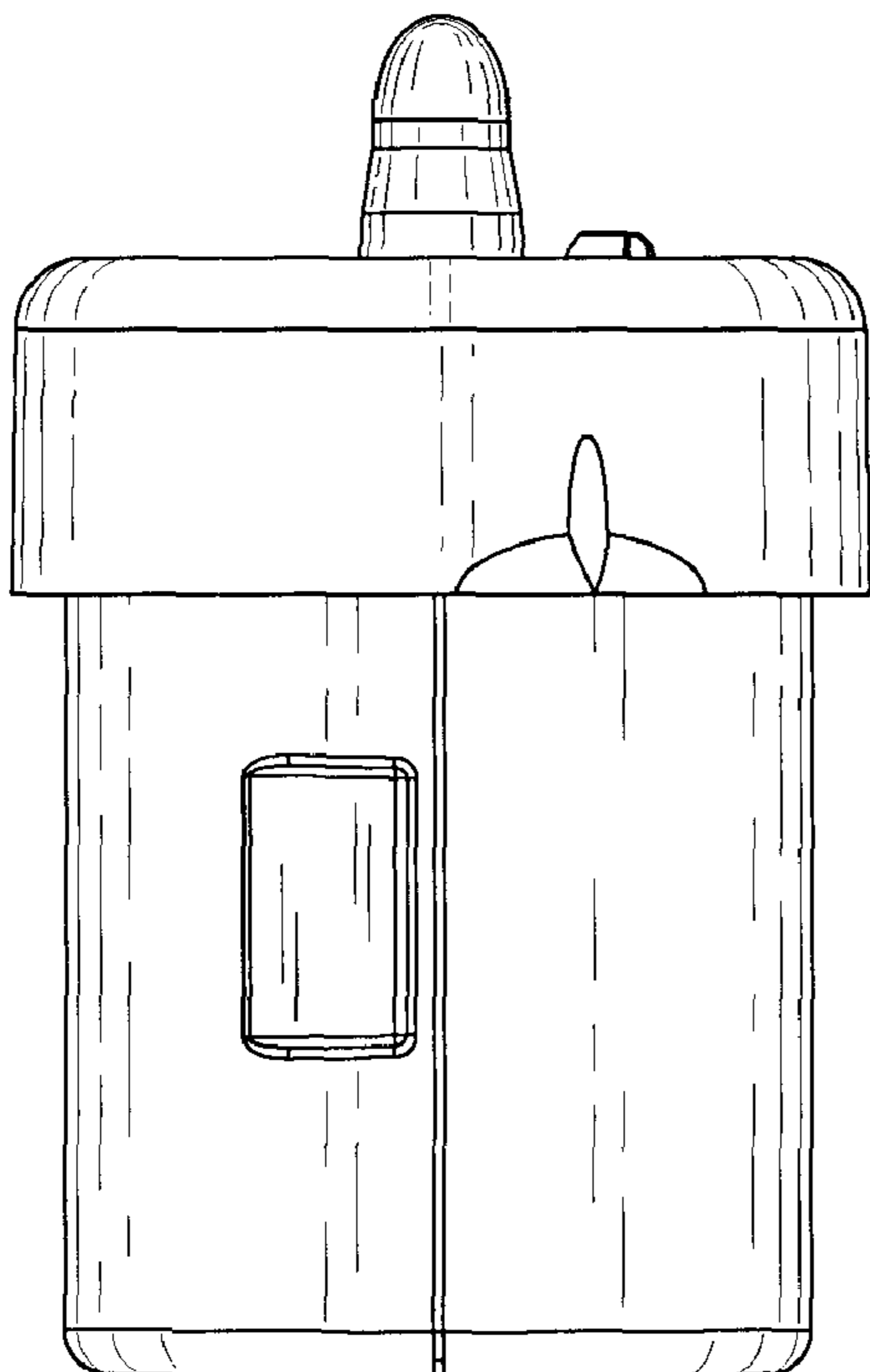


Fig. 3

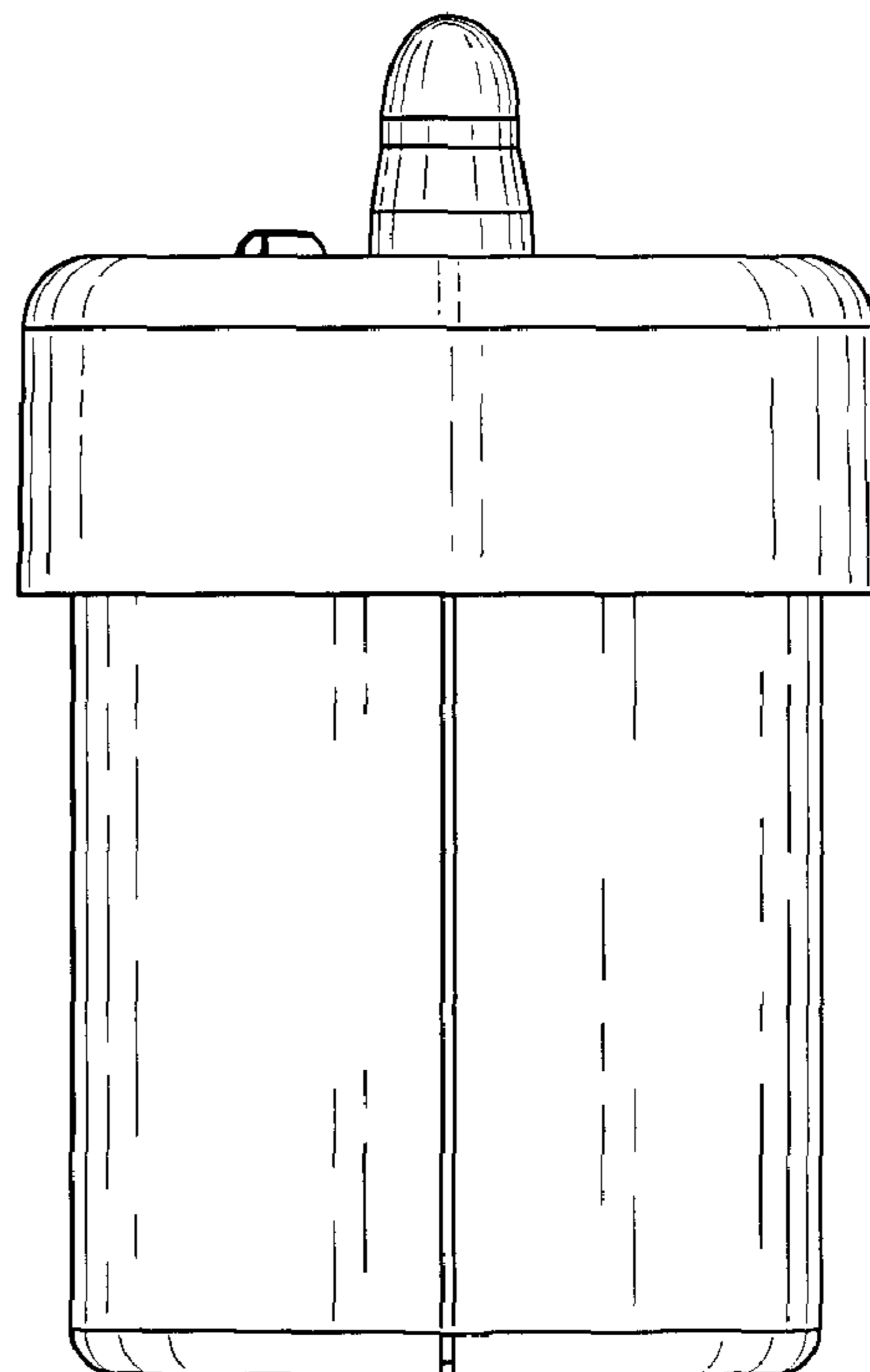


Fig. 4

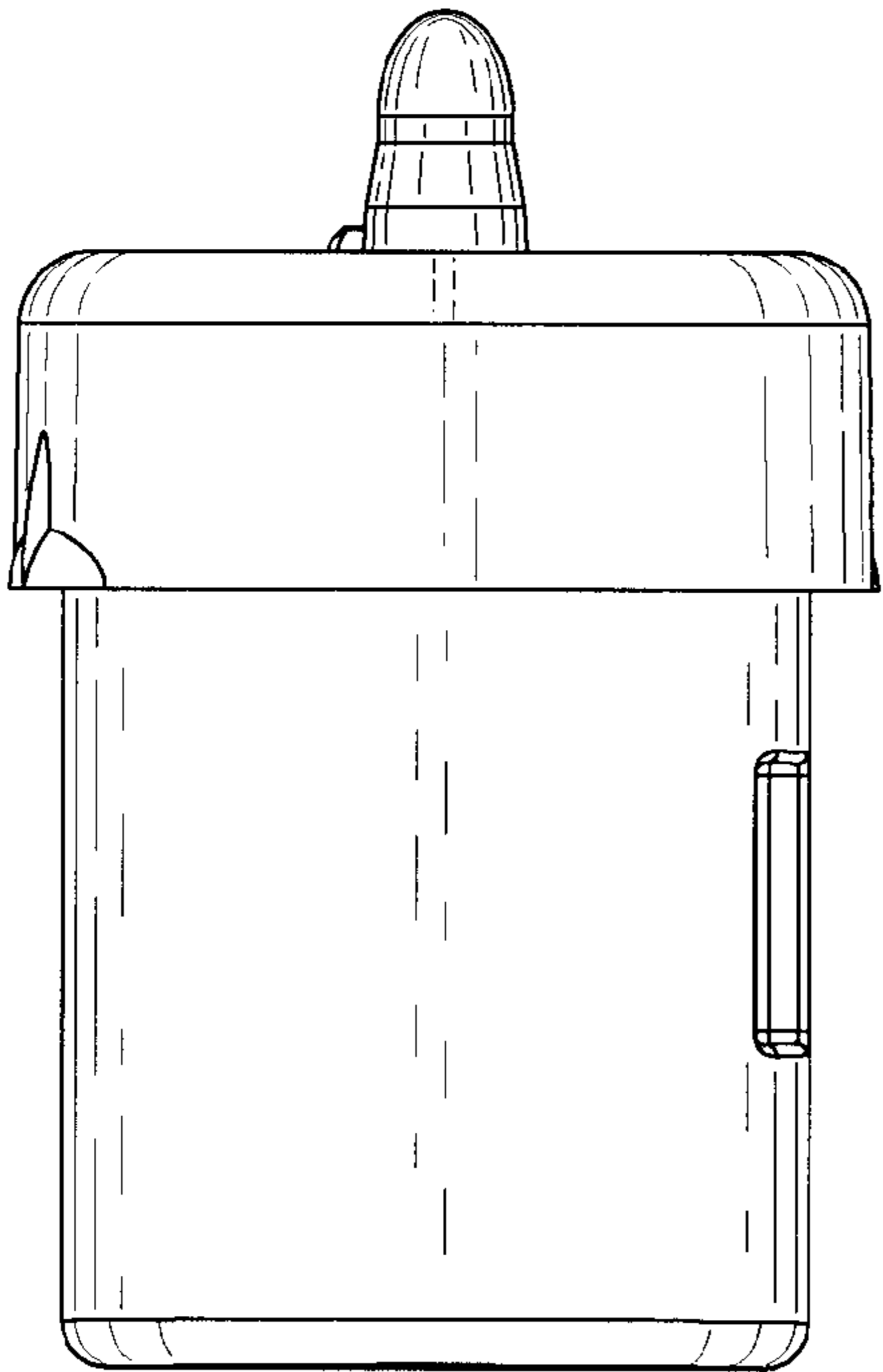


Fig. 5

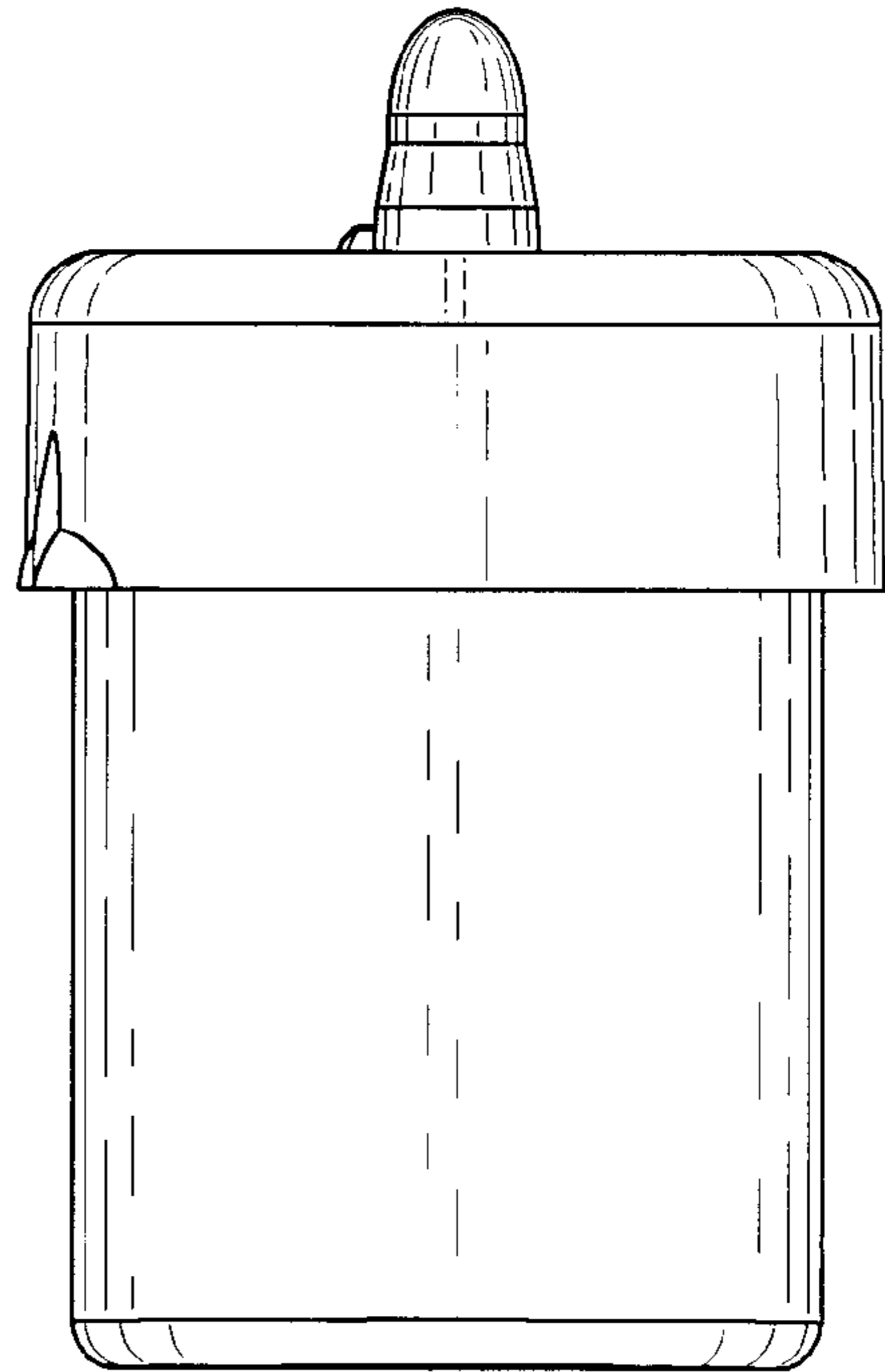


Fig. 6

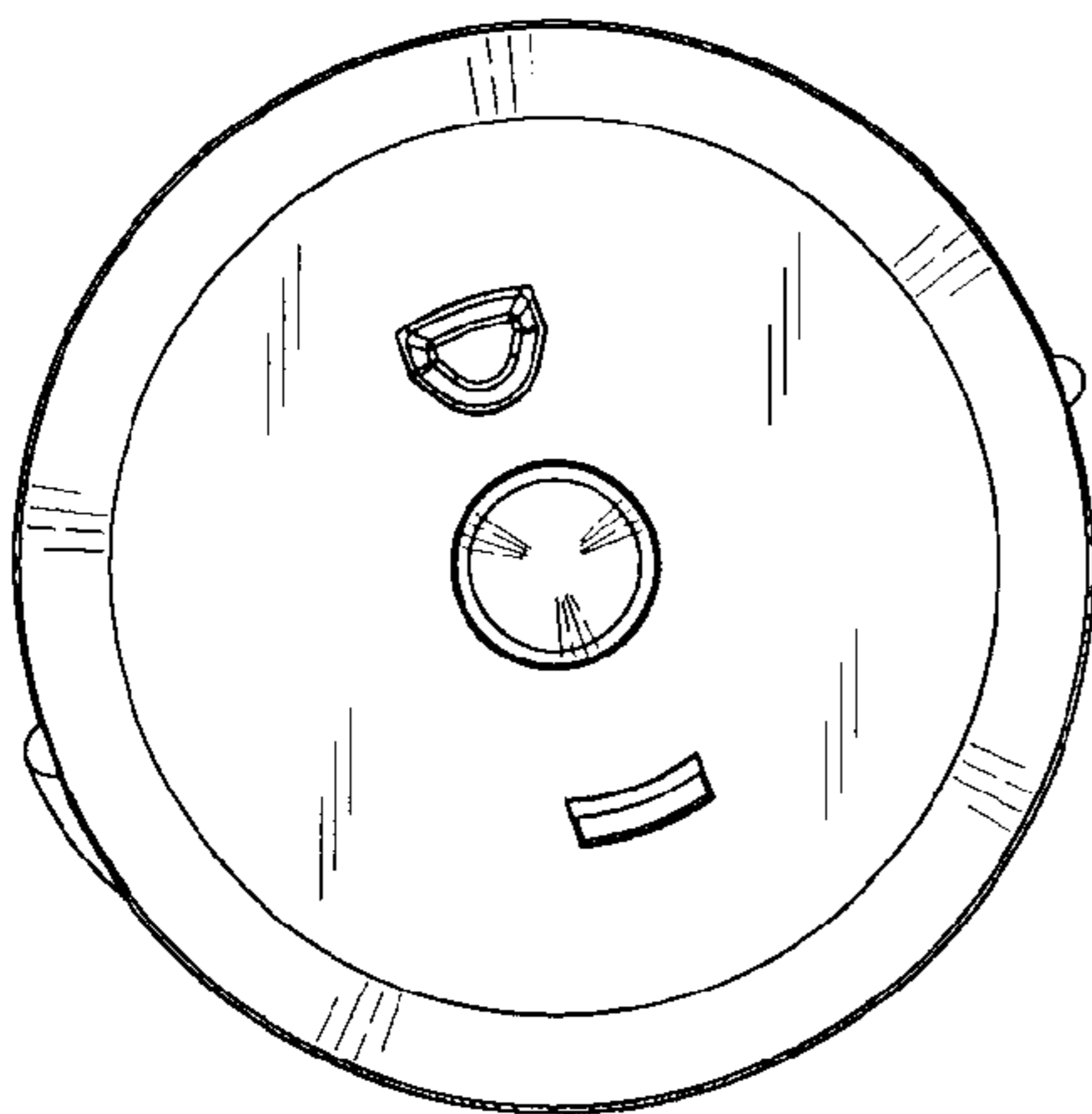


Fig. 7

