

US00D537188S

(12) **United States Design Patent** (10) **Patent No.:** **US D537,188 S**
Dolan (45) **Date of Patent:** **** Feb. 20, 2007**

(54) **LANTERN**

(76) **Inventor:** **Patrick S. Dolan**, 2700 NW. Front Ave., Portland, OR (US) 97210

(**) **Term:** **14 Years**

(21) **Appl. No.:** **29/252,674**

(22) **Filed:** **Jan. 24, 2006**

(51) **LOC (8) Cl.** **26-03**

(52) **U.S. Cl.** **D26/87; D26/92**

(58) **Field of Classification Search** D26/72,
D26/80-92; 362/147, 362, 363, 370, 371,
362/431, 432, 806

See application file for complete search history.

(56) **References Cited**

U.S. PATENT DOCUMENTS

D76,929 S	*	11/1928	Huefner	D20/29
D80,048 S	*	12/1929	Pinaglia	D26/87
D388,218 S	*	12/1997	Hsu	D26/87
D483,515 S	*	12/2003	Radulescu	D26/87
D492,056 S	*	6/2004	Curtin	D26/92
D500,382 S	*	12/2004	Phillips	D26/92
D513,338 S	*	12/2005	Burke	D26/87

OTHER PUBLICATIONS

U.S. Appl. No. 29/240,027, filed Oct. 5, 2005, John Holman. Maxim, City of Industry, CA, 2005, p. 180 Model 30254.
The Feldman Co., Los Angeles, CA, Cat. 67, 1987 p. 31 Model X-4022.
Kichler, Cleveland, OH, Cat. 100 2000 p. 255 Model 9741 BK.

Renaissance/Savoy, Duluth, GA, Architectural Series 2004 p. 3 Model K.P.400.40.

Murray Feiss, Bronx, NY, Cat. 2005 p. 276 Model OL1904 GB2.

Quoizel, Goosecreek, SC, Cat. 2004 p. 277 Model PT8753 TB.

Quoizel, Goosecreek, SC, Cat. 2004 p. 268 Model GT8981. Progress, Spartaburg, SC, 126, 2004 p. 393 Model P5621-71.

Minka-Lavery, Corona, CA, 2004, p. 15 Model 9091-95. Hinkley Lighting, Cleveland, OH, Cat. 99 p. 154 Model 1664.

Hinkley Lighting, Cleveland, OH, Cat. 1999, p. 149 Model 1700 VE.

* cited by examiner

Primary Examiner—Clare E Heflin

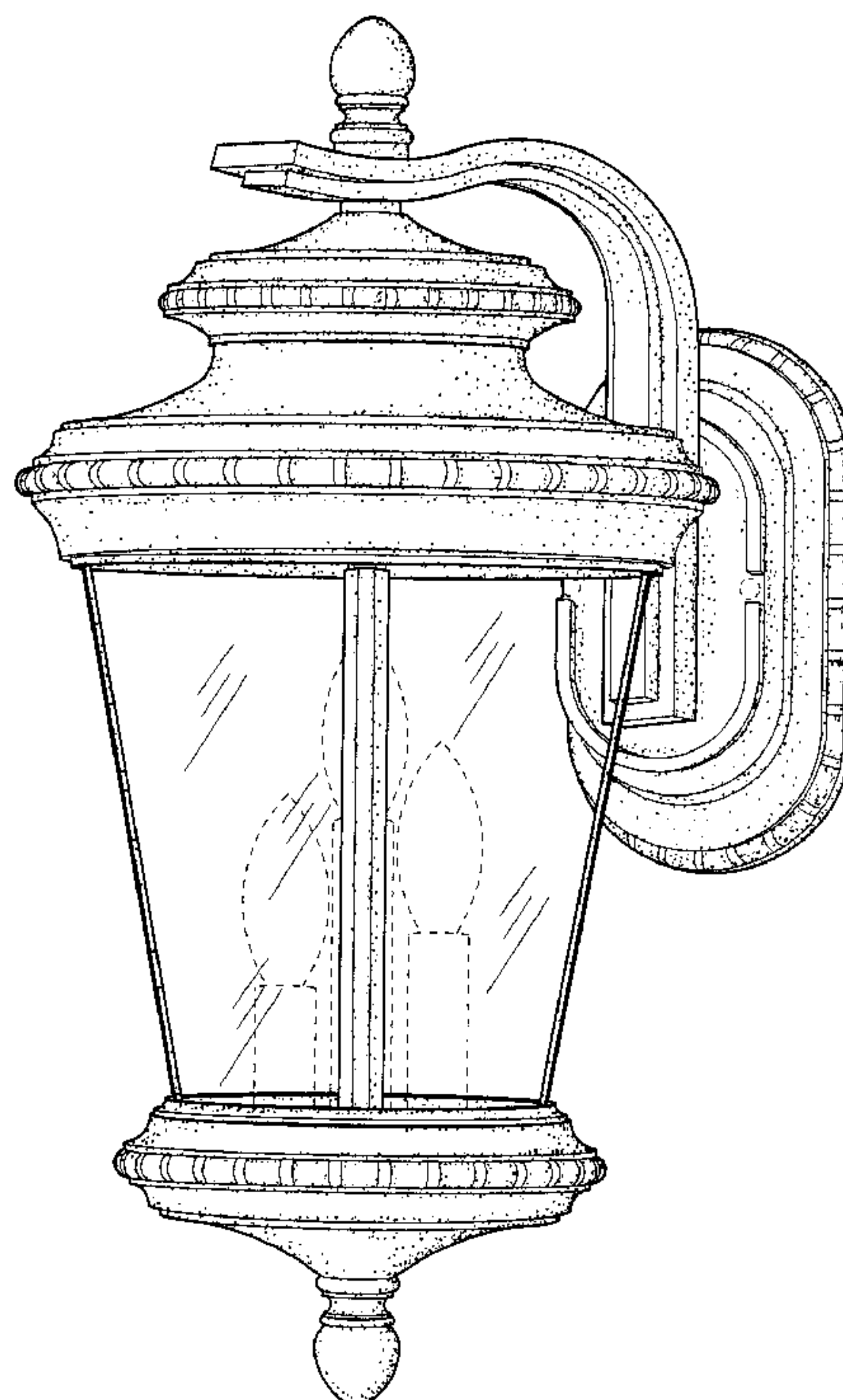
(57) **CLAIM**

The ornamental design for a lantern, as shown and described.

DESCRIPTION

FIG. 1 is a perspective view thereof;
FIG. 2 is a front elevational view thereof;
FIG. 3 is a right side view, the left side view being a mirror image;
FIG. 4 is a back plan view thereof;
FIG. 5 is a top plan view thereof; and,
FIG. 6 is a bottom plan view thereof.
The broken line showing of environmental structure is for illustrative purposes only and forms no part of the claimed design.

1 Claim, 6 Drawing Sheets



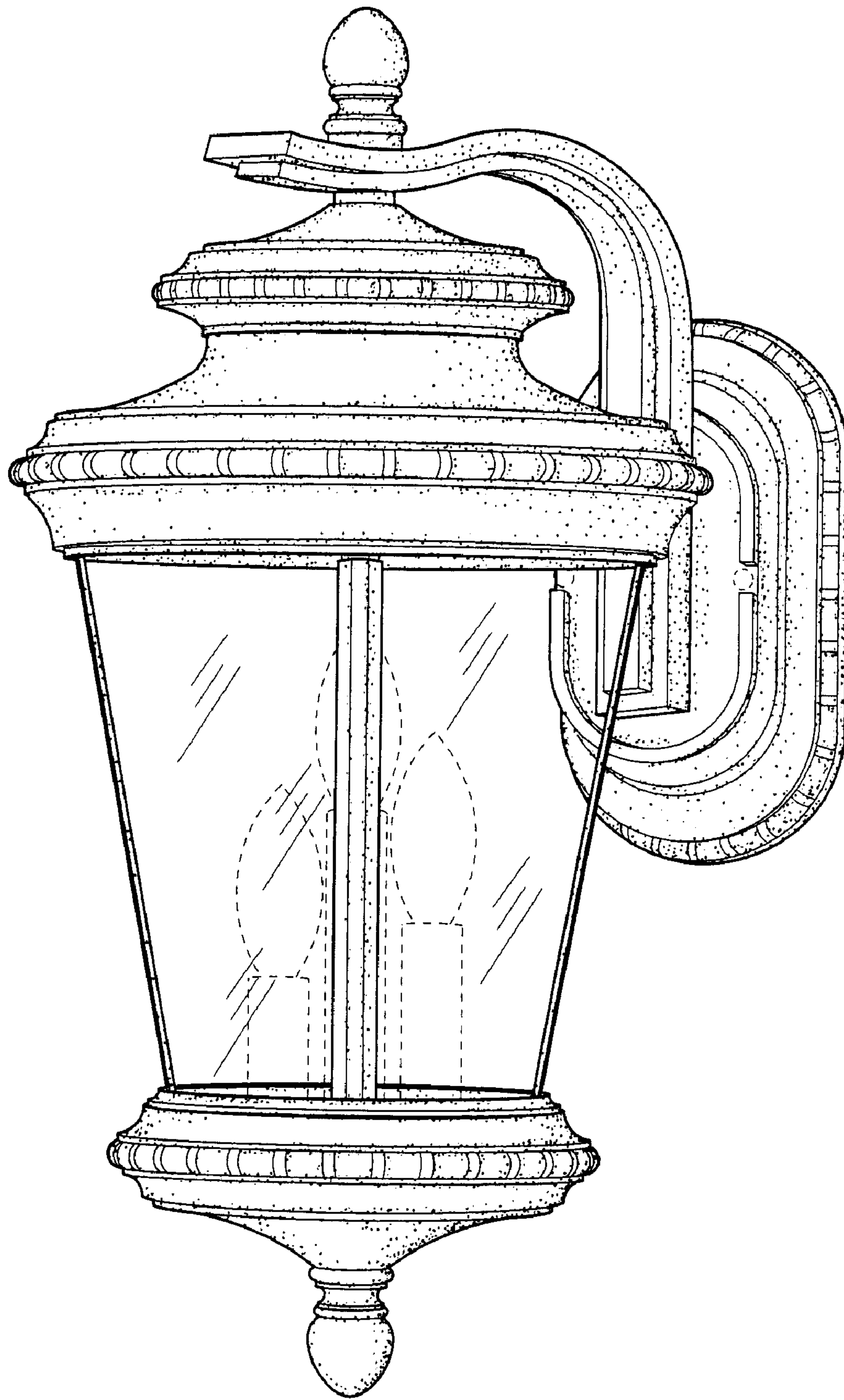


FIG. 1

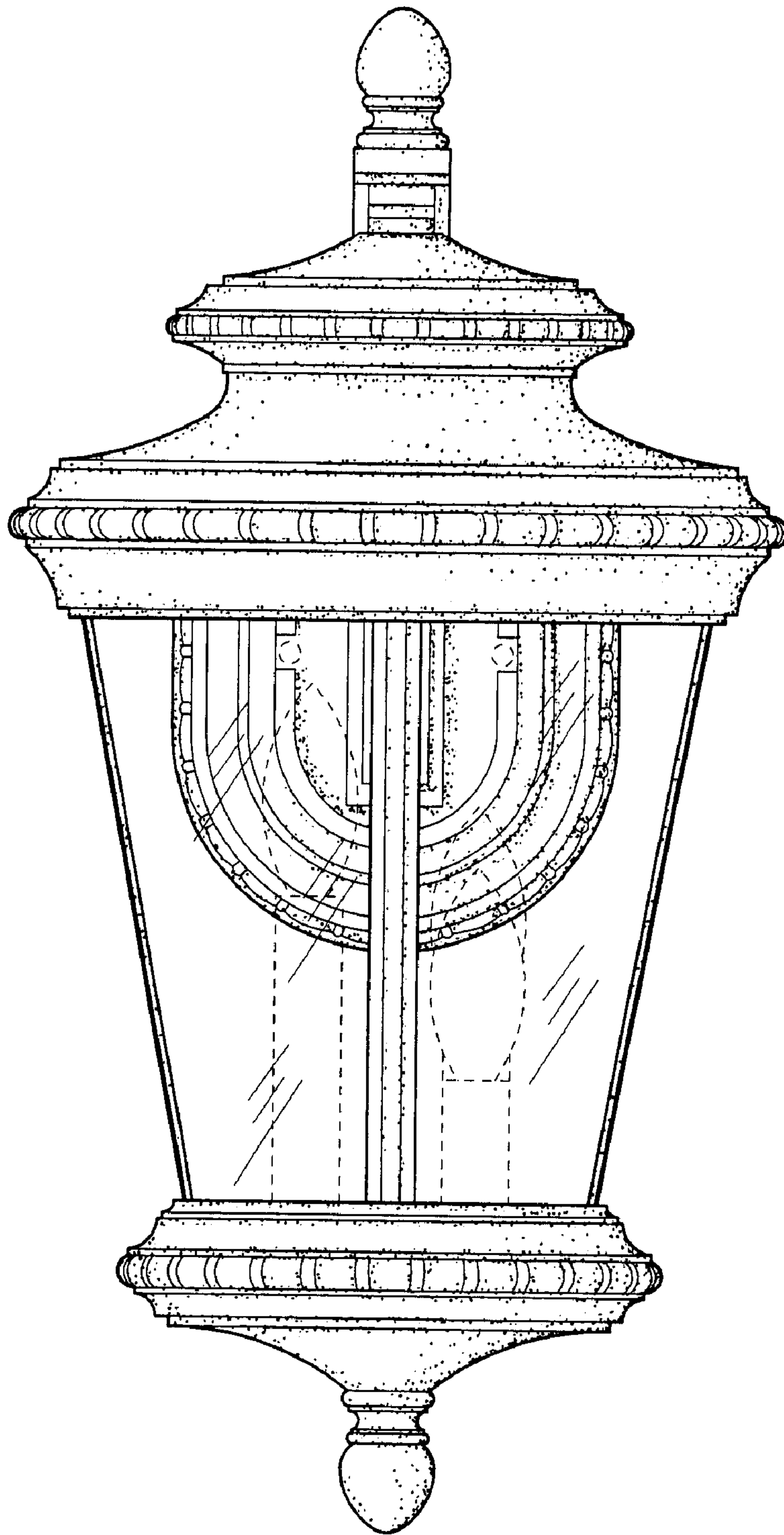


FIG. 2

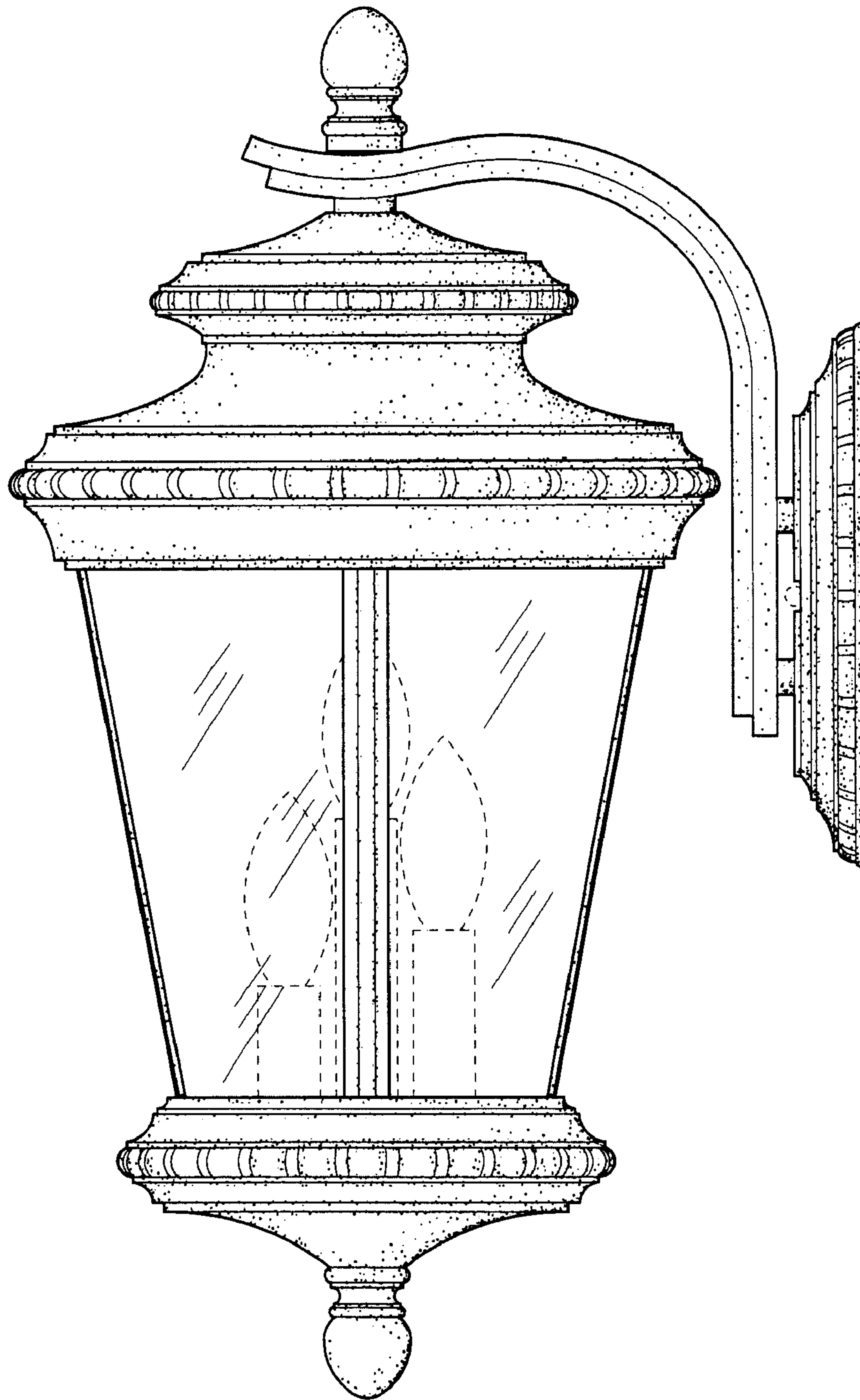


FIG. 3

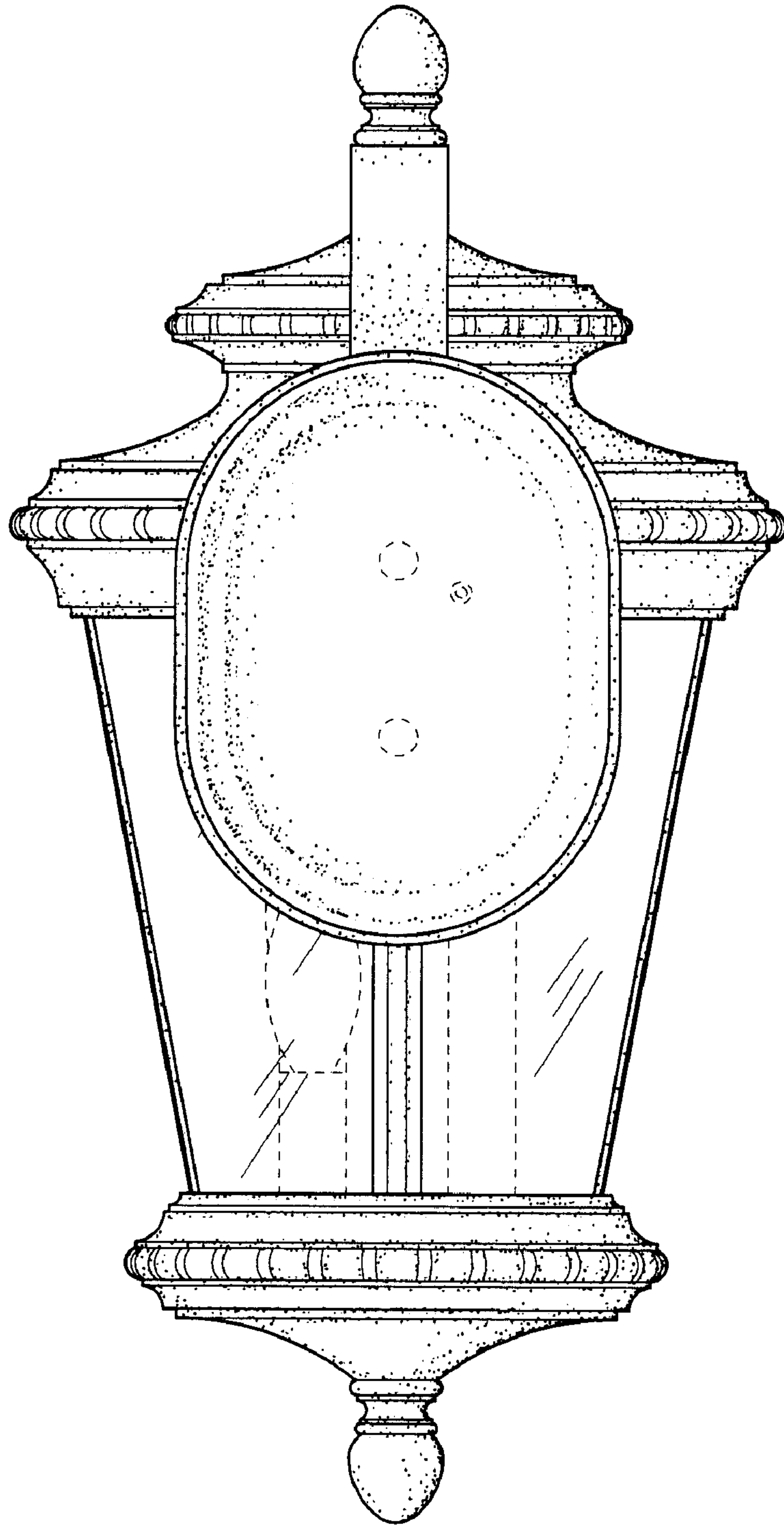


FIG. 4

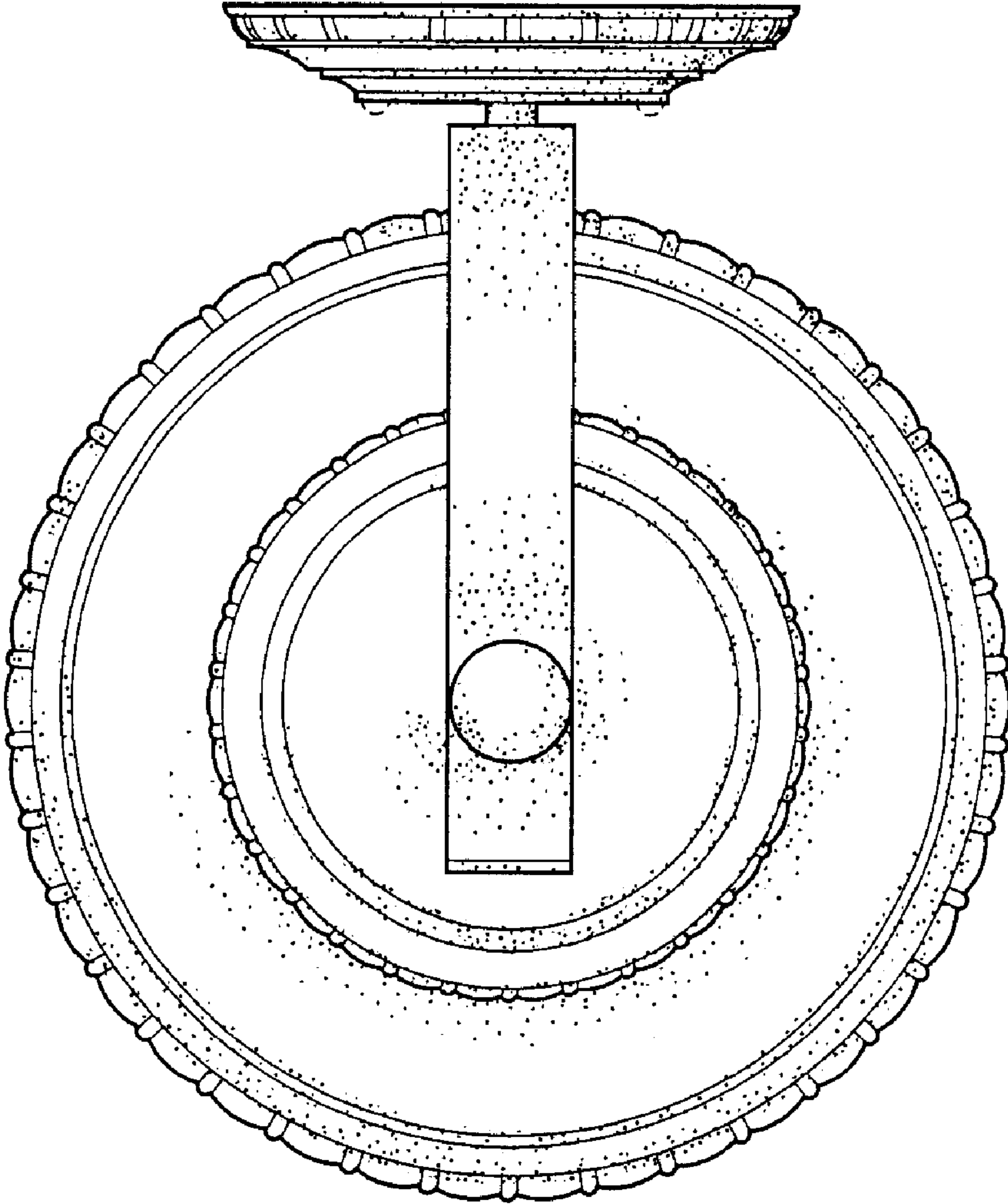


FIG. 5

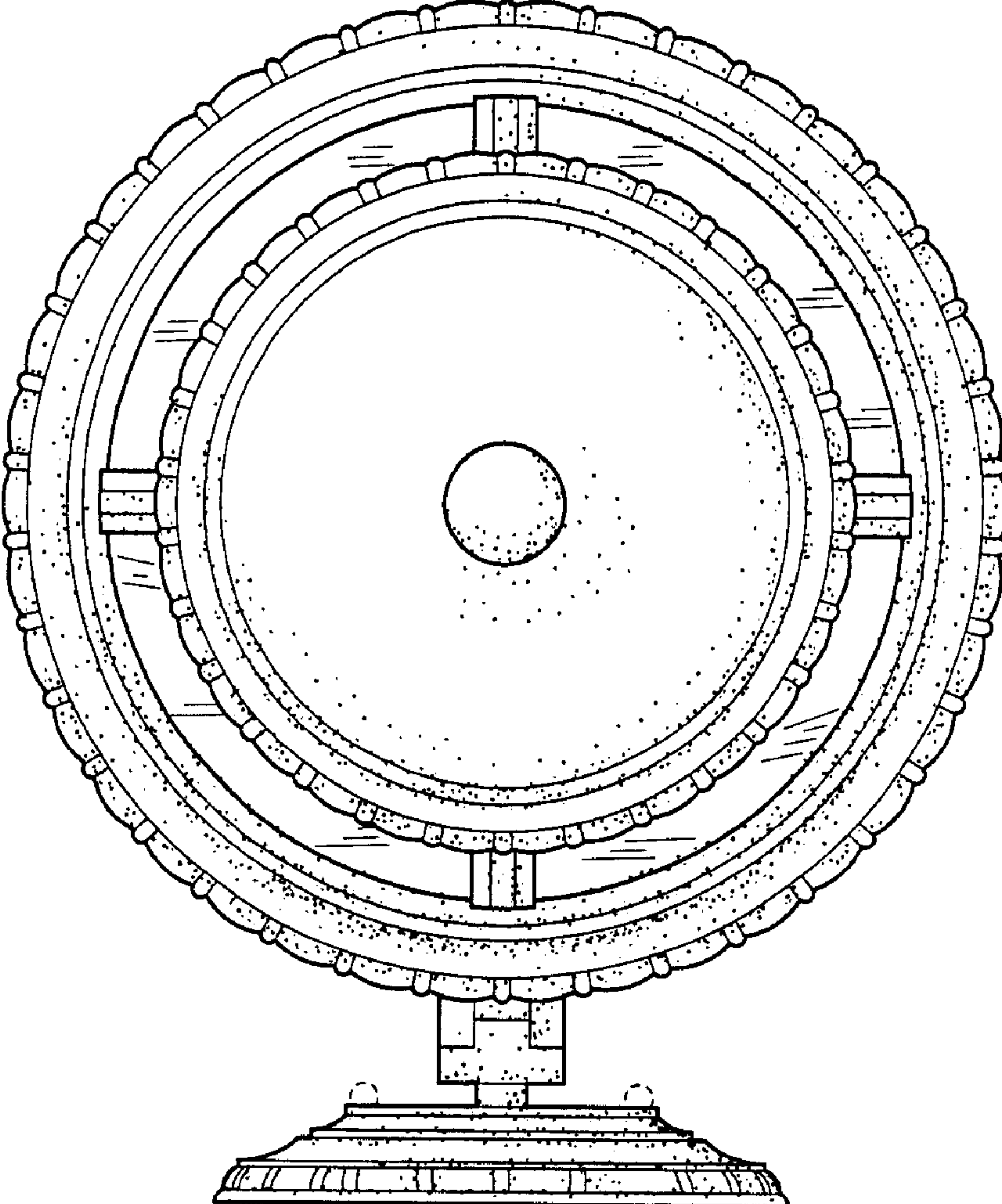


FIG. 6