



US00D537187S

(12) **United States Design Patent**
Lucatello

(10) **Patent No.:** **US D537,187 S**
(45) **Date of Patent:** **** Feb. 20, 2007**

(54) **COMPOSITE ILLUMINATION BODY**

(75) Inventor: **Luciano Lucatello**, Treviso (IT)

(73) Assignee: **Societa Vertaria Biancadese SAS**,
Biancade (IT)

(**) Term: **14 Years**

(21) Appl. No.: **29/197,082**

(22) Filed: **Jan. 12, 2004**

(51) **LOC (8) Cl.** **26-05**

(52) **U.S. Cl.** **D26/84; D26/90**

(58) **Field of Classification Search** D26/72,
D26/74-78, 80-92; 362/215-225, 147, 404-408
See application file for complete search history.

(56) **References Cited**

U.S. PATENT DOCUMENTS

3,163,949 A	*	1/1965	Gley	40/452
D246,203 S	*	10/1977	Harris	D26/80
D246,399 S	*	11/1977	Harris	D26/84
D418,936 S	*	1/2000	Dunning	D26/76
D427,706 S	*	7/2000	Irvine	D26/76
D428,508 S	*	7/2000	Irvine	D26/76
D429,357 S	*	8/2000	Grimm	D26/76
D431,086 S	*	9/2000	Cole, Jr.	D26/76
D434,167 S	*	11/2000	Foster	D26/76
D468,474 S	*	1/2003	Poulton	D26/90

* cited by examiner

Primary Examiner—Clare E Heflin

(74) *Attorney, Agent, or Firm*—Birch, Stewart, Kolasch &
Birch, LLP

(57) **CLAIM**

The ornamental design for a composite illumination body, as shown and described.

DESCRIPTION

FIG. 1 is a perspective view of a composite illumination body showing a first embodiment of my new design;
FIG. 2 is a right side view thereof, the left side view being identical thereto;

FIG. 3 is a front elevational view thereof, the rear elevational view being identical thereto;

FIG. 4 is a top plan view thereof;

FIG. 5 is a bottom plan view thereof;

FIG. 6 is a perspective view of a composite illumination body showing a second embodiment of my new design;

FIG. 7 is a right side view thereof, the left side view being identical thereto;

FIG. 8 is a front elevational view thereof, the rear elevational view being identical thereto;

FIG. 9 is a top plan view thereof;

FIG. 10 is a bottom plan view thereof;

FIG. 11 is a perspective view of a composite illumination body showing a third embodiment of my new design;

FIG. 12 is a right side view thereof, the left side view being a mirror image thereof;

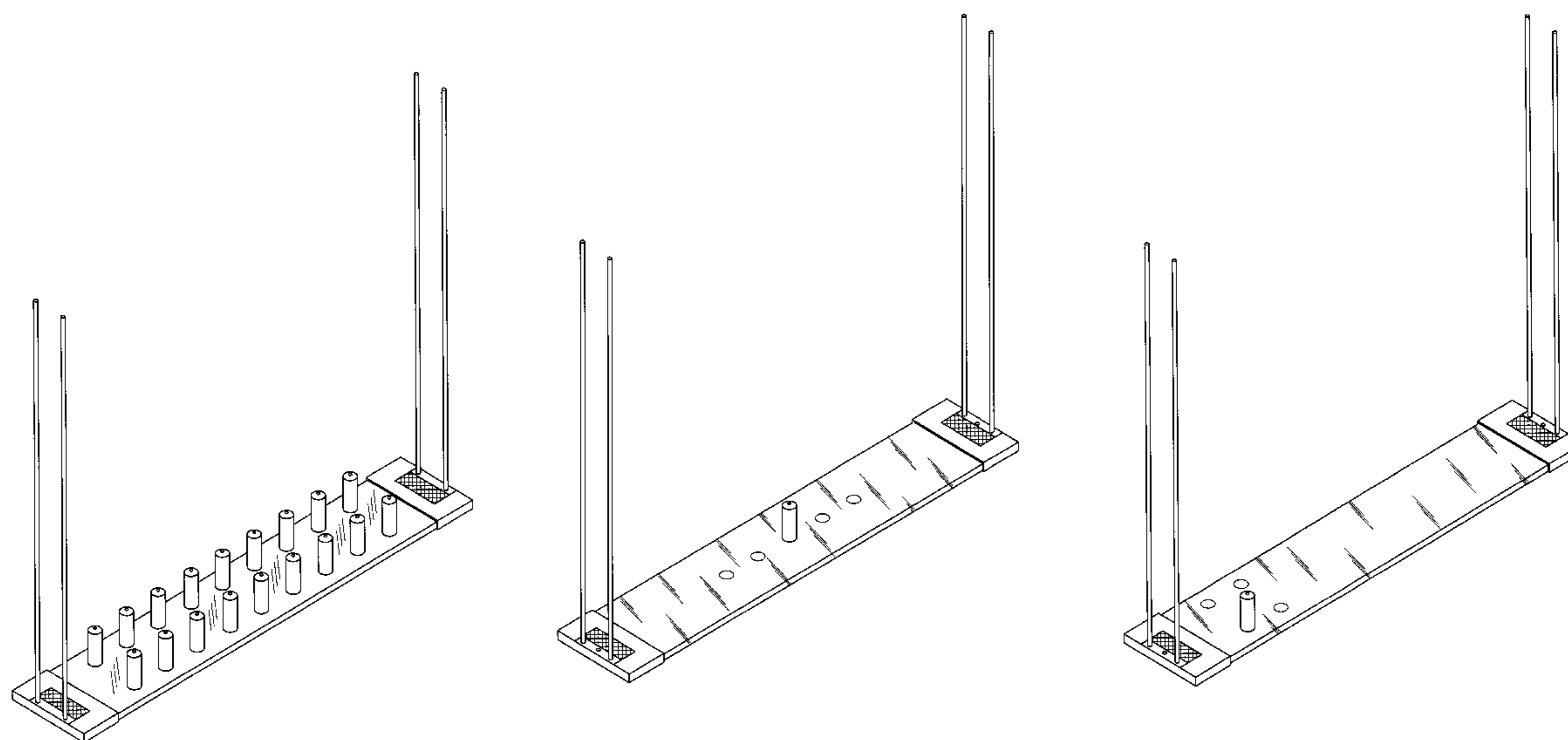
FIG. 13 is a front elevational view thereof, the rear elevational view being a mirror image thereof;

FIG. 14 is a top plan view thereof; and,

FIG. 15 is a bottom plan view thereof.

The broken lines shown on the drawings are for illustrative purposes only and form no part of the claimed design.

1 Claim, 15 Drawing Sheets



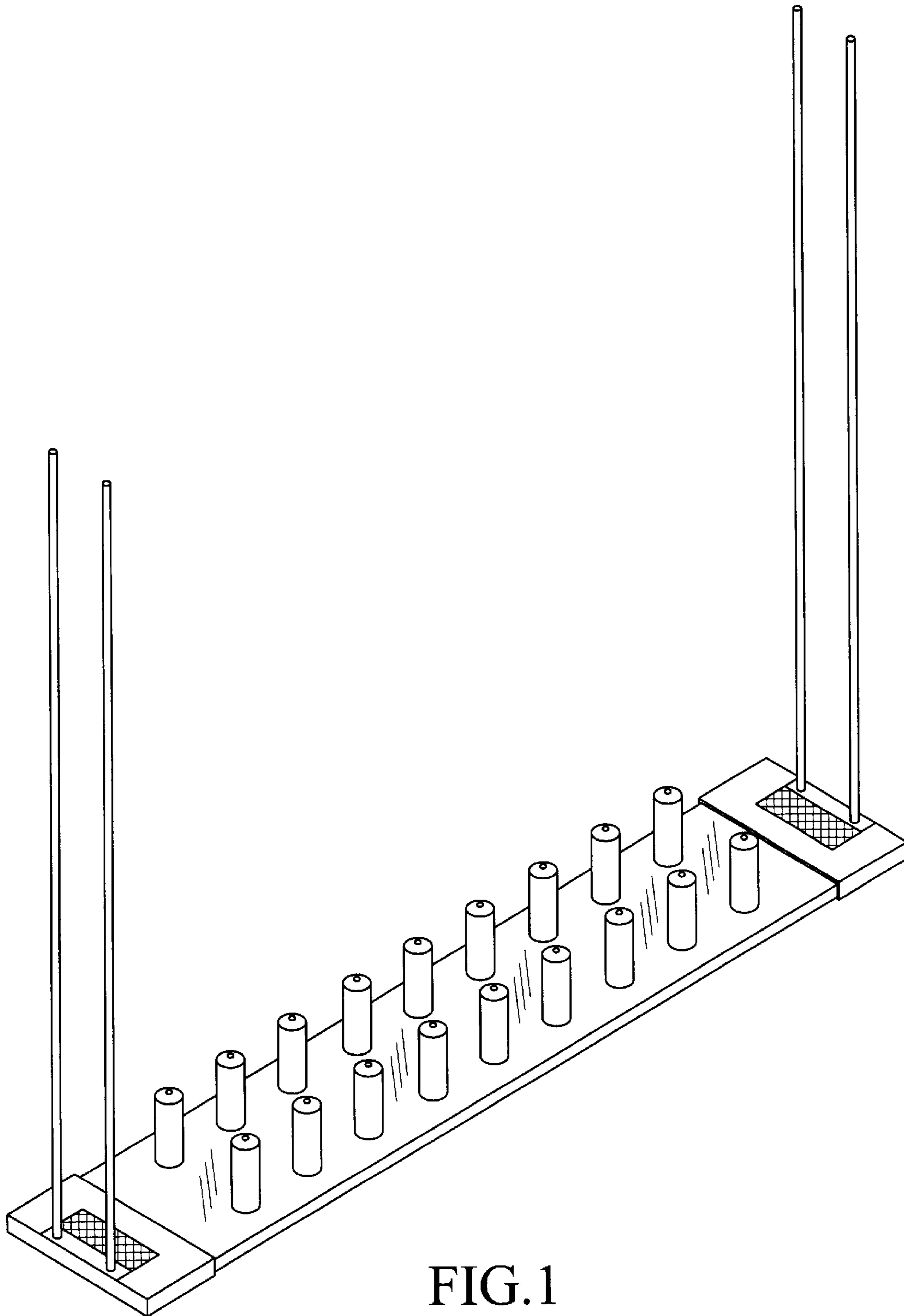


FIG. 1

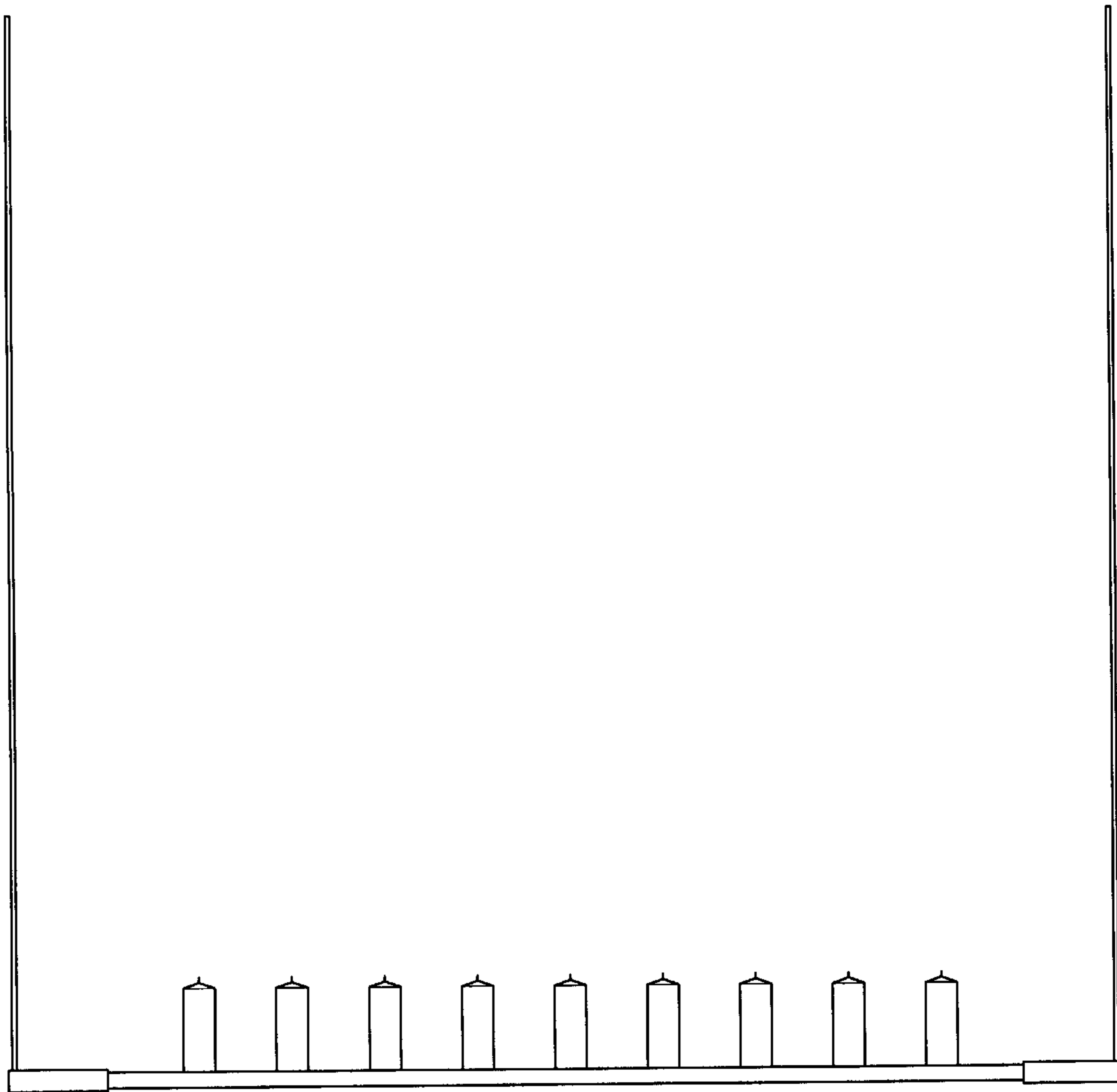


FIG.2

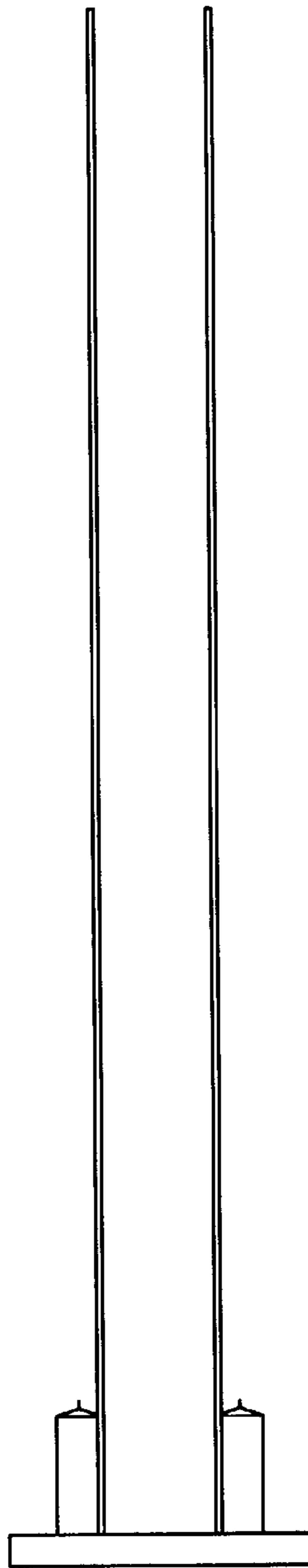


FIG.3

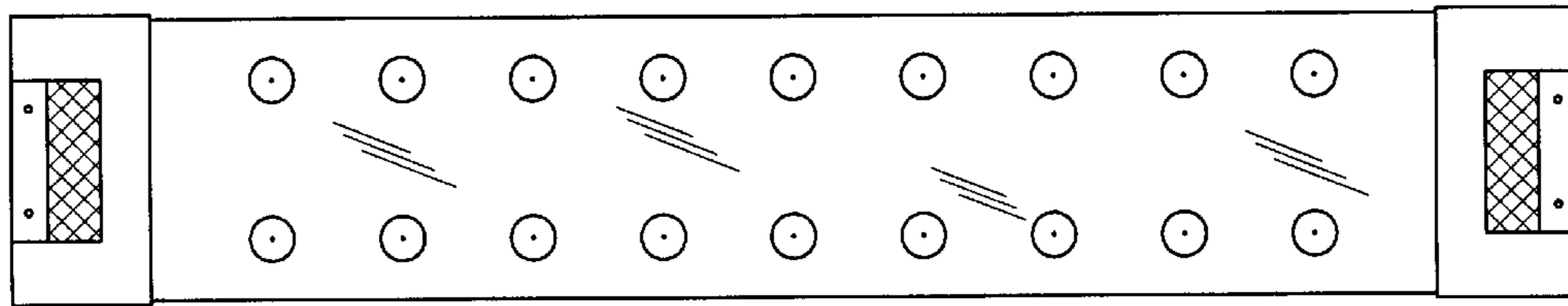


FIG.4

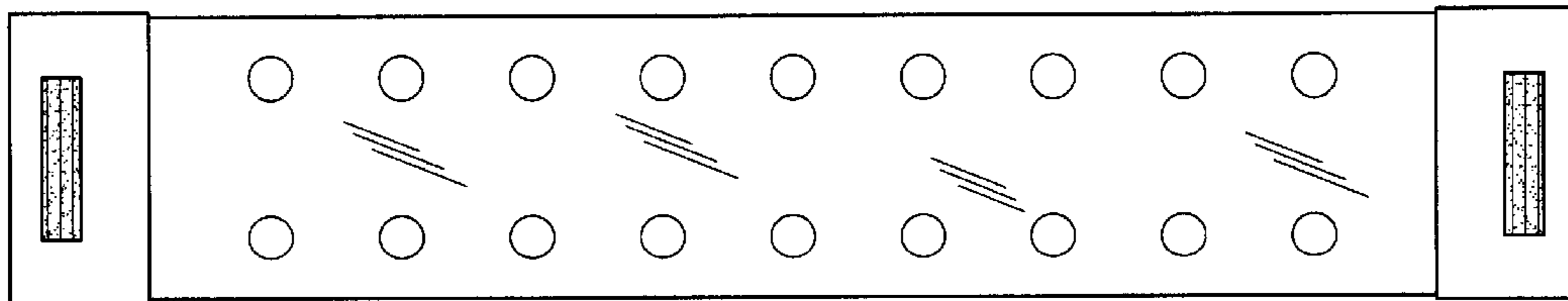


FIG.5

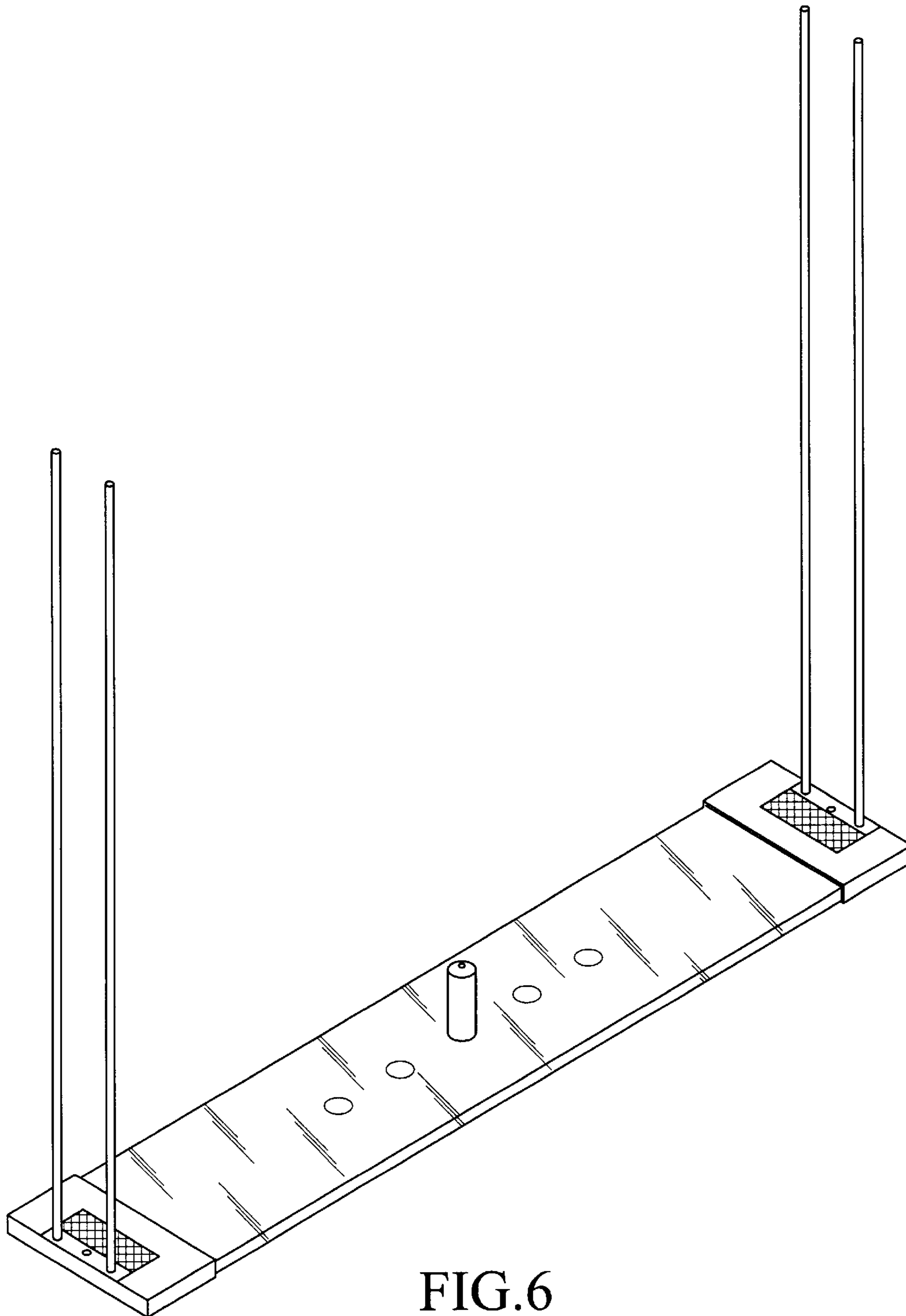


FIG.6

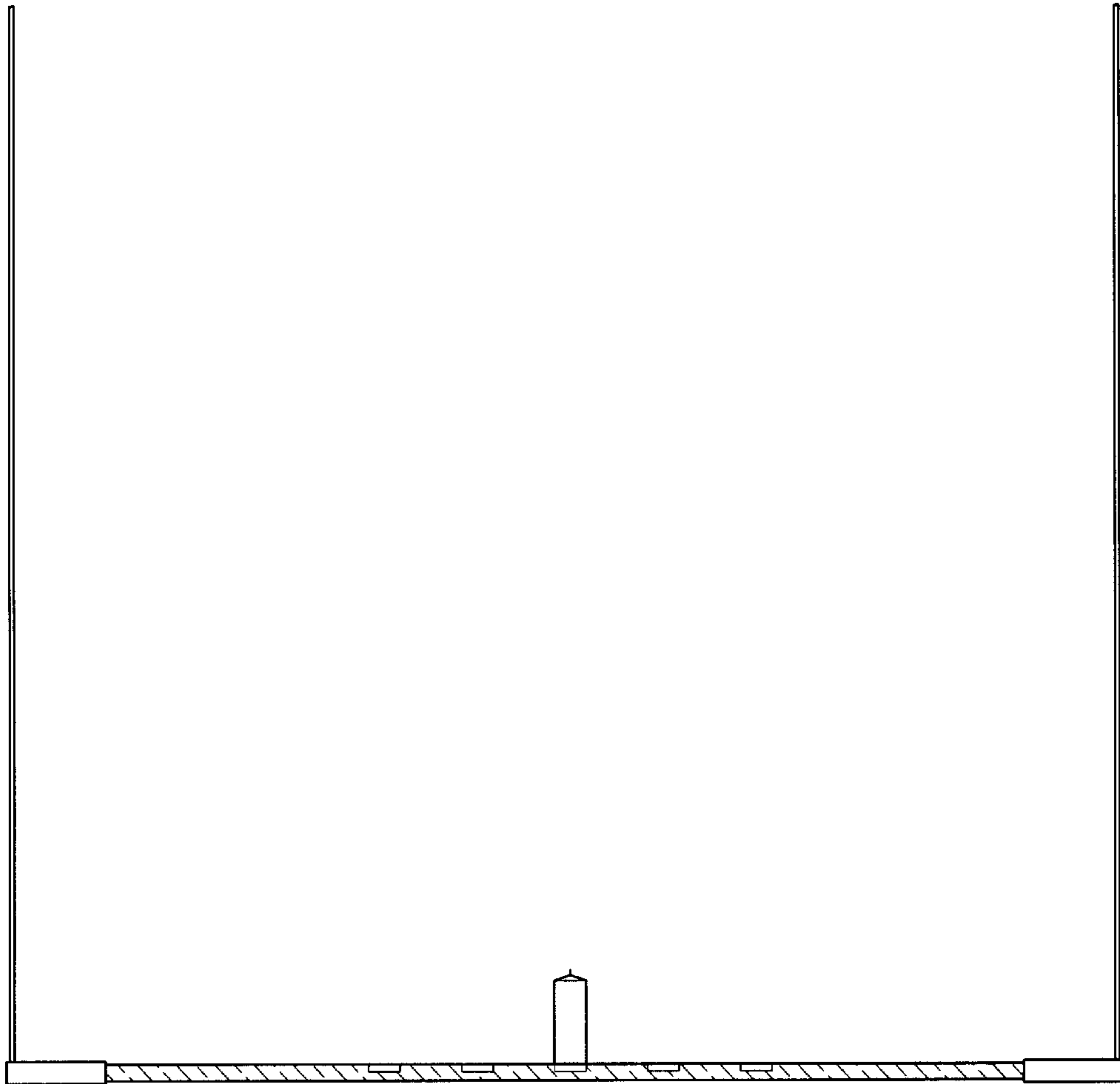


FIG.7

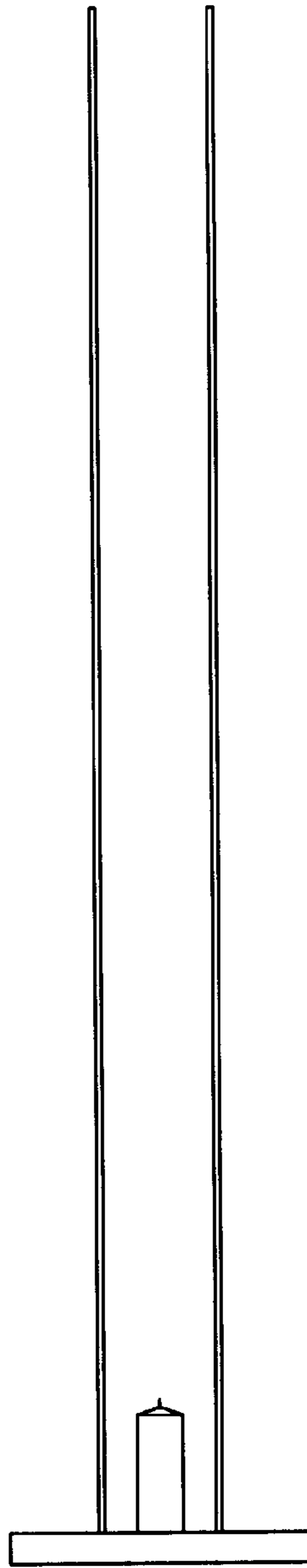


FIG.8

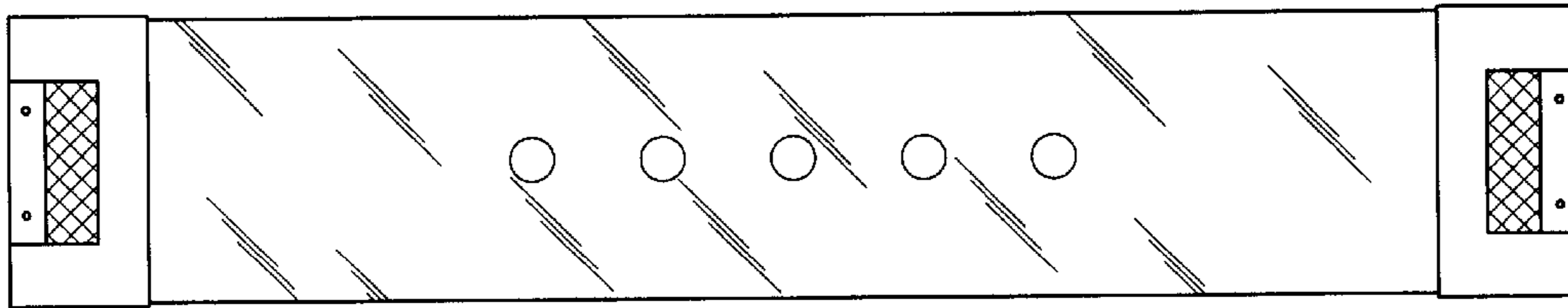


FIG.9

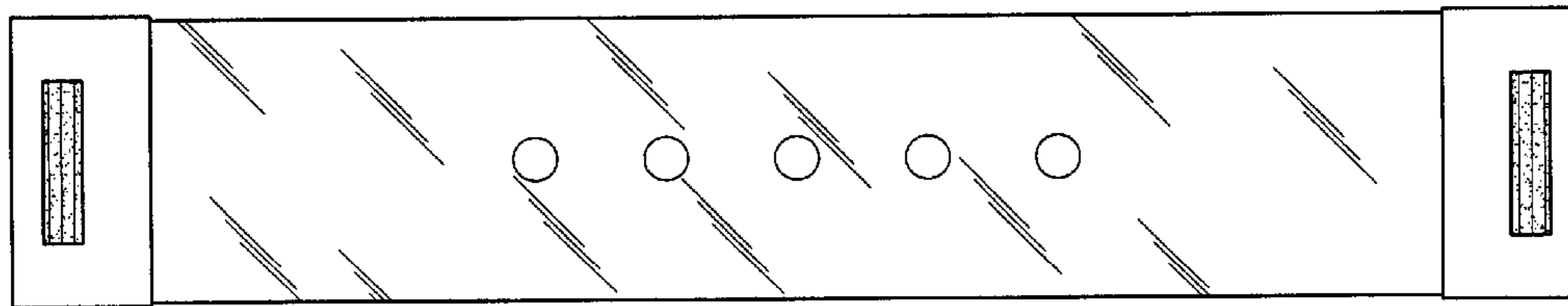


FIG.10

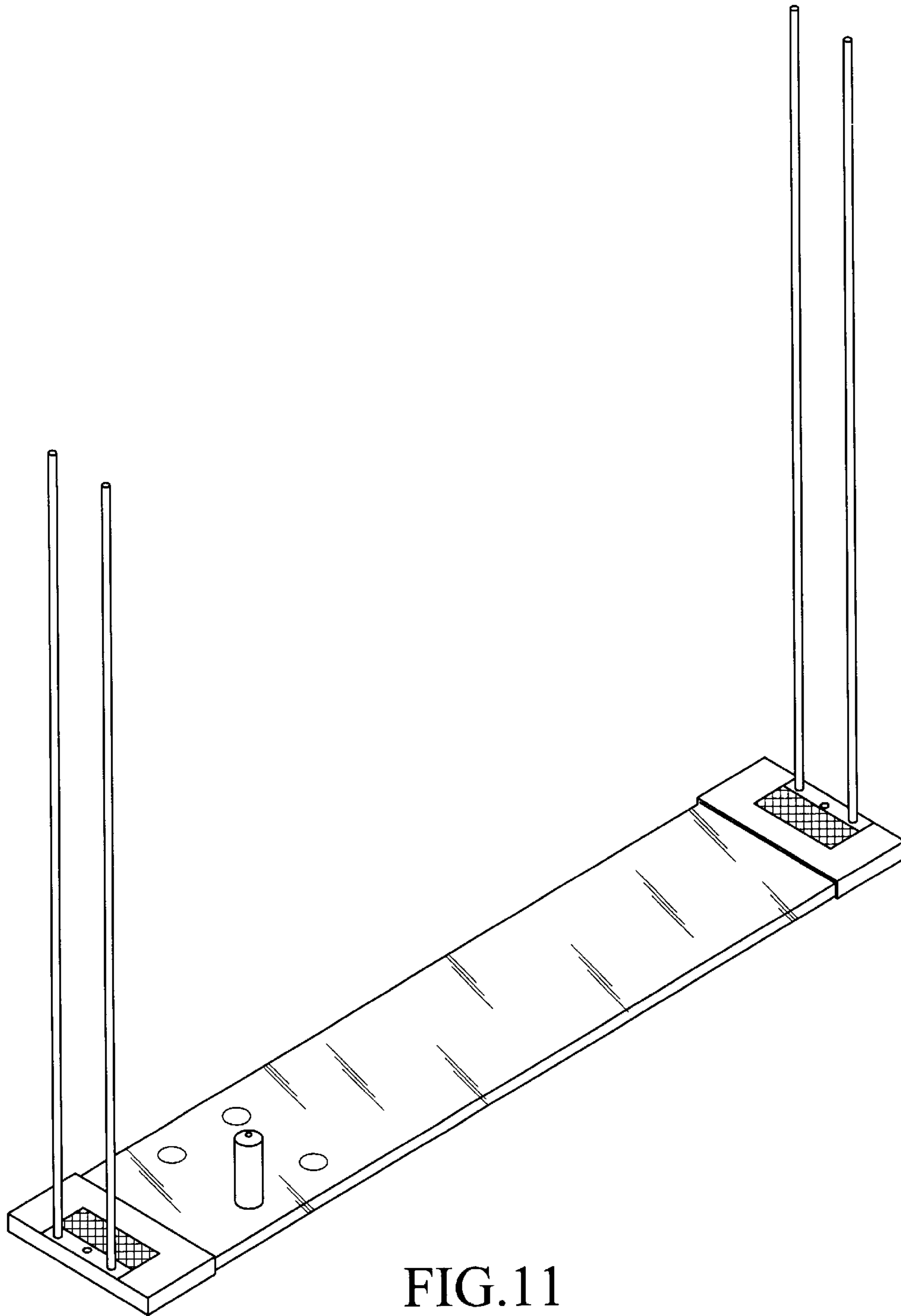


FIG. 11

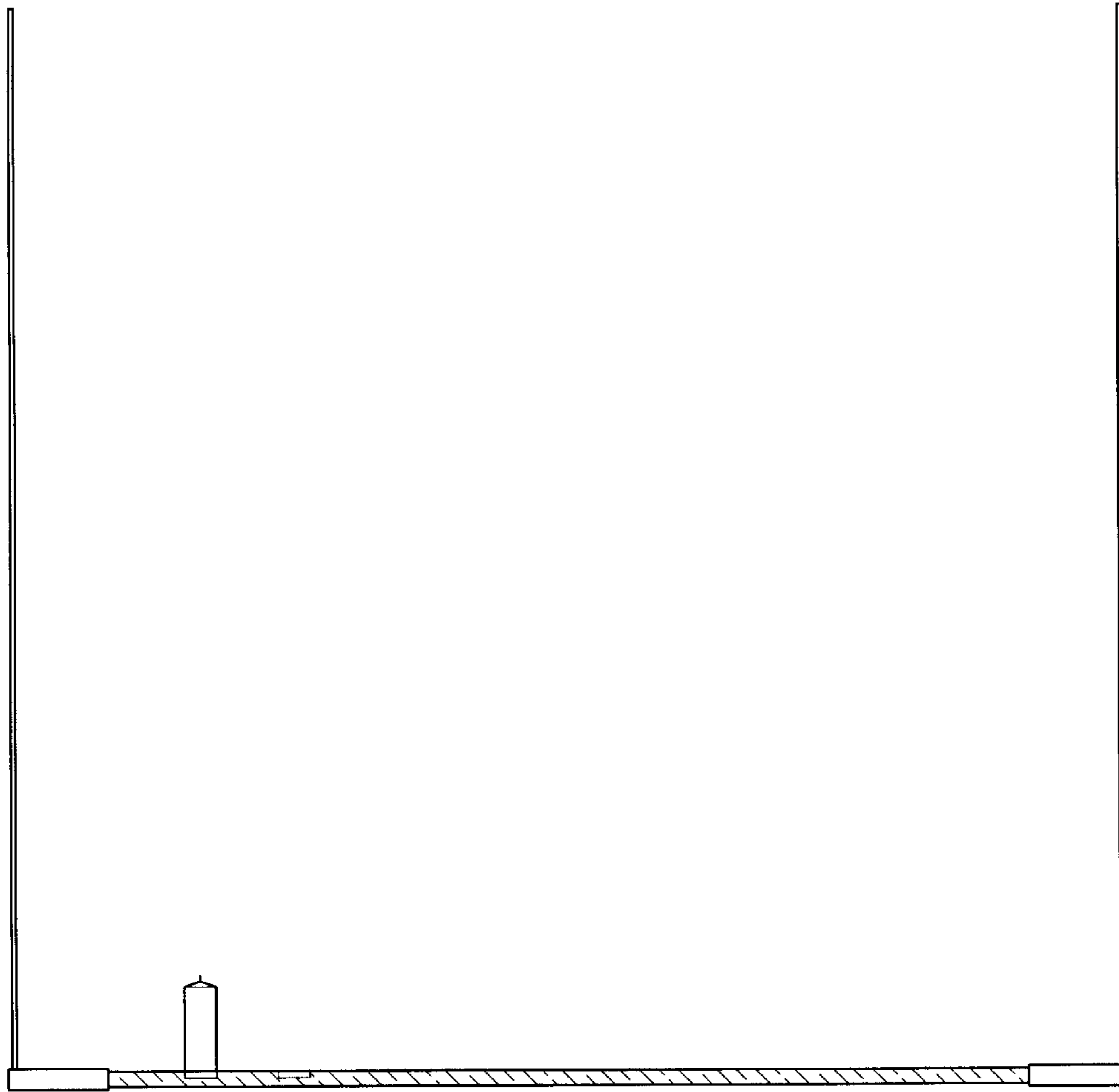


FIG.12

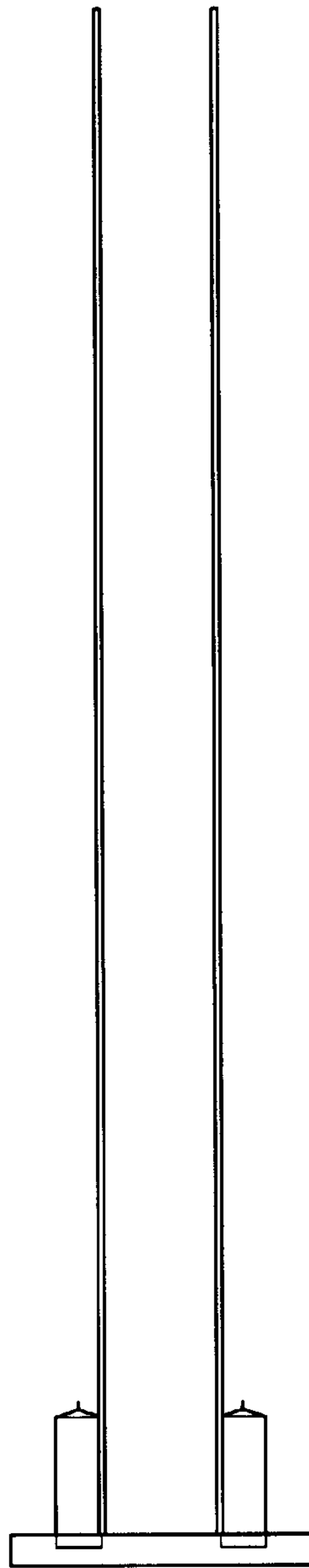


FIG.13

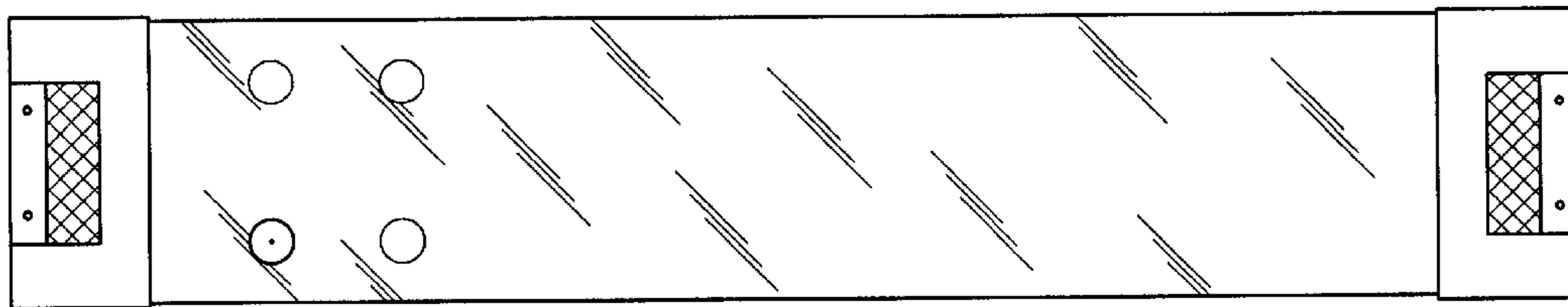


FIG.14

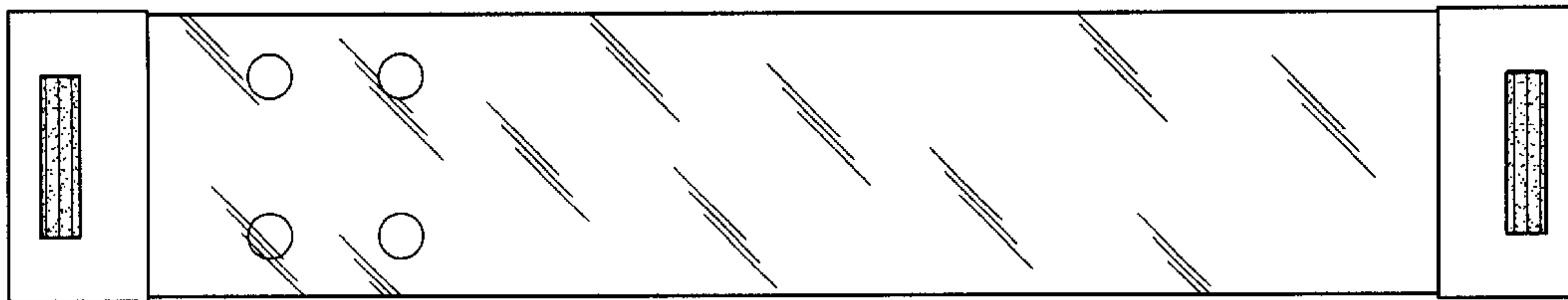


FIG.15