

US00D537186S

(12) **United States Design Patent**
Weddell

(10) **Patent No.:** **US D537,186 S**

(45) **Date of Patent:** **** Feb. 20, 2007**

(54) **EXTERIOR LIGHT**

(75) Inventor: **Vince Weddell**, Irvine, CA (US)

(73) Assignee: **Girard Systems**, San Clemente, CA (US)

(**) Term: **14 Years**

(21) Appl. No.: **29/205,302**

(22) Filed: **May 11, 2004**

(51) **LOC (8) Cl.** **26-03**

(52) **U.S. Cl.** **D26/80; D26/85**

(58) **Field of Classification Search** D26/24,
D26/72, 75-78, 80, 81, 85, 87; 362/236,
362/237, 238, 240, 249, 250, 147, 432, 127,
362/125, 133, 800

See application file for complete search history.

(56) **References Cited**

U.S. PATENT DOCUMENTS

2,352,804 A * 7/1944 Schepmoes 362/222

D166,034 S * 2/1952 Gray D26/85
D220,580 S * 4/1971 Edenberg D26/80
D383,560 S * 9/1997 Palmer D26/72
D464,162 S * 10/2002 Segretto D26/85

* cited by examiner

Primary Examiner—Clare E Heflin

(74) *Attorney, Agent, or Firm*—Walter A. Hackler

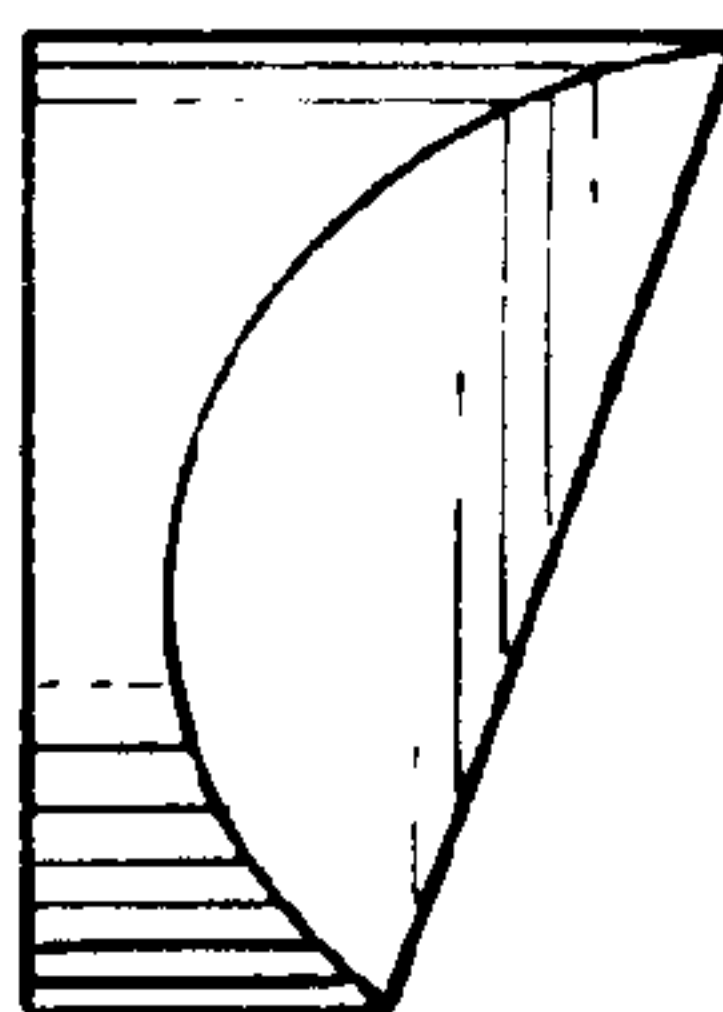
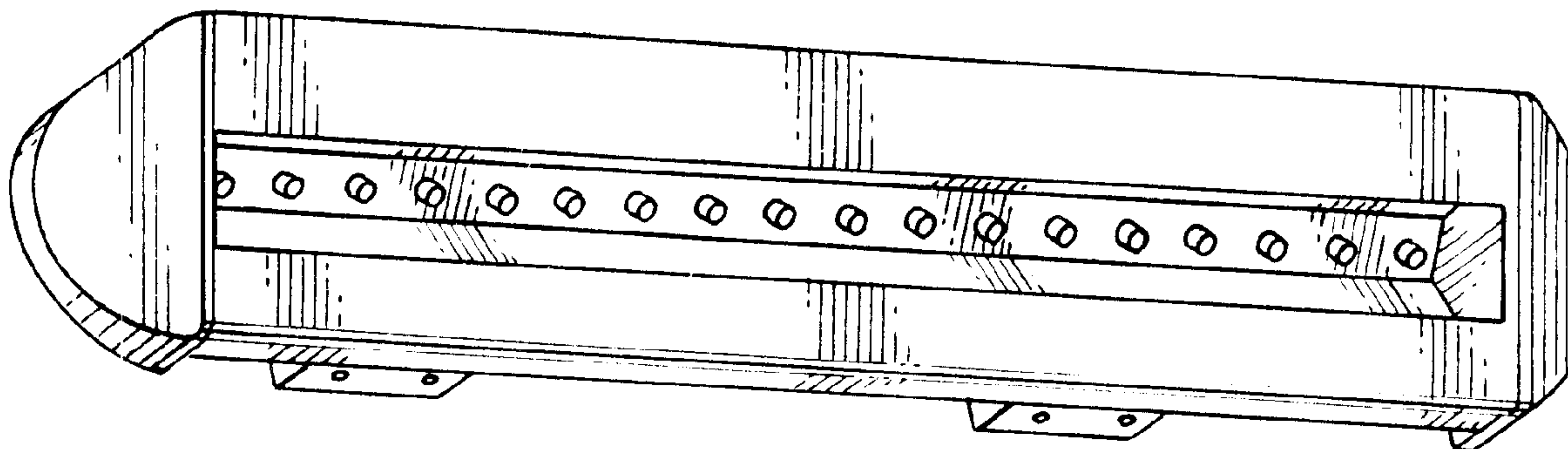
(57) **CLAIM**

The ornamental design for exterior light, as shown and described.

DESCRIPTION

FIG. 1 is perspective front view of the present invention; FIG. 2 is a top view of the present invention; FIG. 3 is a front view of the present invention; FIG. 4 is a bottom side view of the present invention; FIG. 5 is a left side view of the present invention; and FIG. 6 is a right side view of the present invention, there being no design featured on the back of the exterior light.

1 Claim, 1 Drawing Sheet



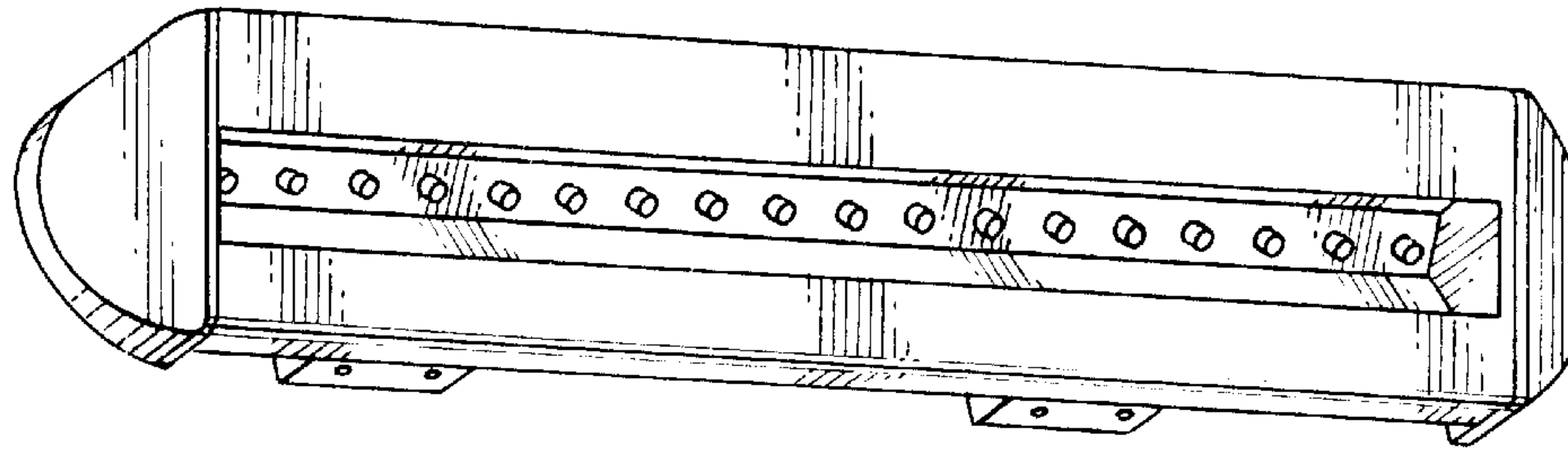


FIG. 1.

FIG. 2.

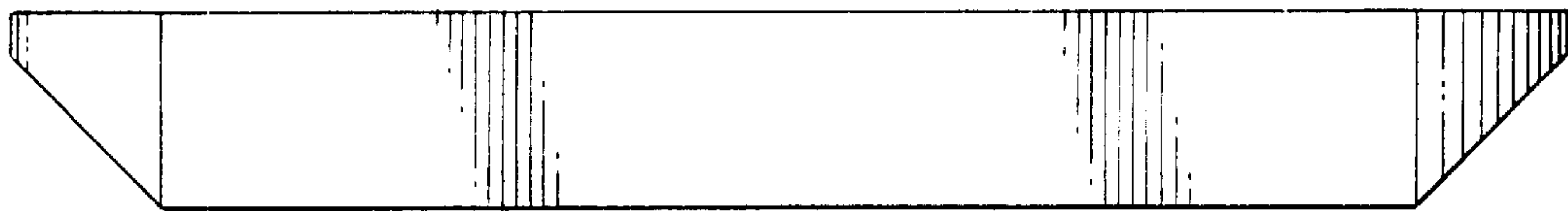


FIG. 3.

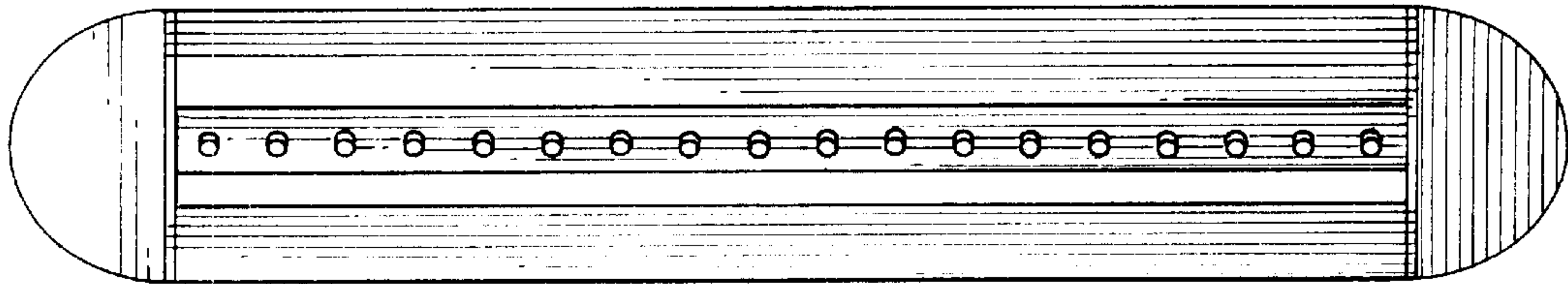


FIG. 4.

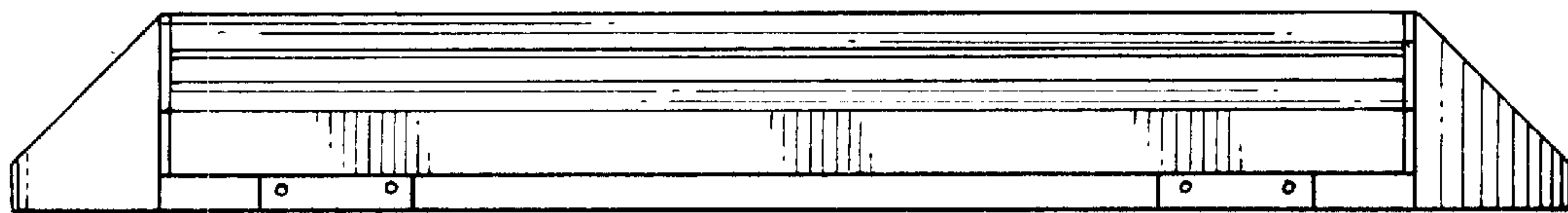


FIG. 5.

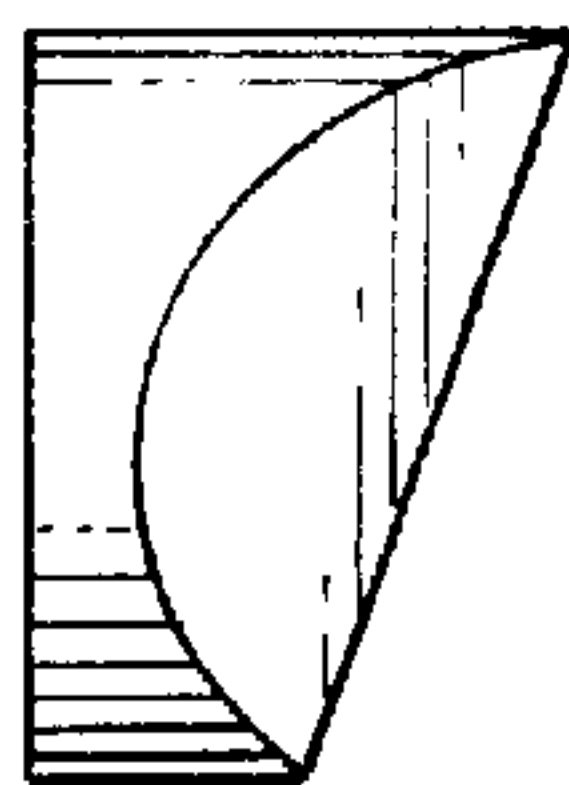


FIG. 6.

