



US00D537184S

(12) **United States Design Patent**  
**Yuen**

(10) **Patent No.:** **US D537,184 S**

(45) **Date of Patent:** **\*\* Feb. 20, 2007**

(54) **RECHARGEABLE ALL WEATHER LED SPOTLIGHT**

*Primary Examiner*—Marcus A. Jackson  
(74) *Attorney, Agent, or Firm*—Akerman Senterfitt

(76) Inventor: **Se Kit Yuen**, 6/F, Yau Lee Centre, 45 Hoi Yuen Road, Kwun Tong, Kowloon, Hong Kong (HK)

(57) **CLAIM**

The ornamental design of a rechargeable all weather LED spotlight, as shown and described.

(\*\*) Term: **14 Years**

**DESCRIPTION**

(21) Appl. No.: **29/251,856**

FIG. 1 is a perspective view of the rechargeable all weather LED spotlight;

(22) Filed: **Jan. 13, 2006**

FIG. 2 is a perspective view of bottom, rear view and right side view thereof;

(51) **LOC (8) Cl.** ..... **26-02**

(52) **U.S. Cl.** ..... **D26/46**

(58) **Field of Classification Search** ..... D26/37–50;  
362/157, 158, 171–174, 183–208

FIG. 3 is a perspective view of bottom, rear view and left side view in alternative position thereof;

See application file for complete search history.

FIG. 4 is a perspective view of top, front view and right side view in alternative position thereof;

(56) **References Cited**

**U.S. PATENT DOCUMENTS**

D430,323 S \* 8/2000 Yuen ..... D26/46

D508,579 S \* 8/2005 Kim et al. .... D26/46

D520,165 S \* 5/2006 Yuen ..... D26/46

FIG. 5 is a front view thereof;

FIG. 6 is a rear view thereof;

FIG. 7 is a top view thereof;

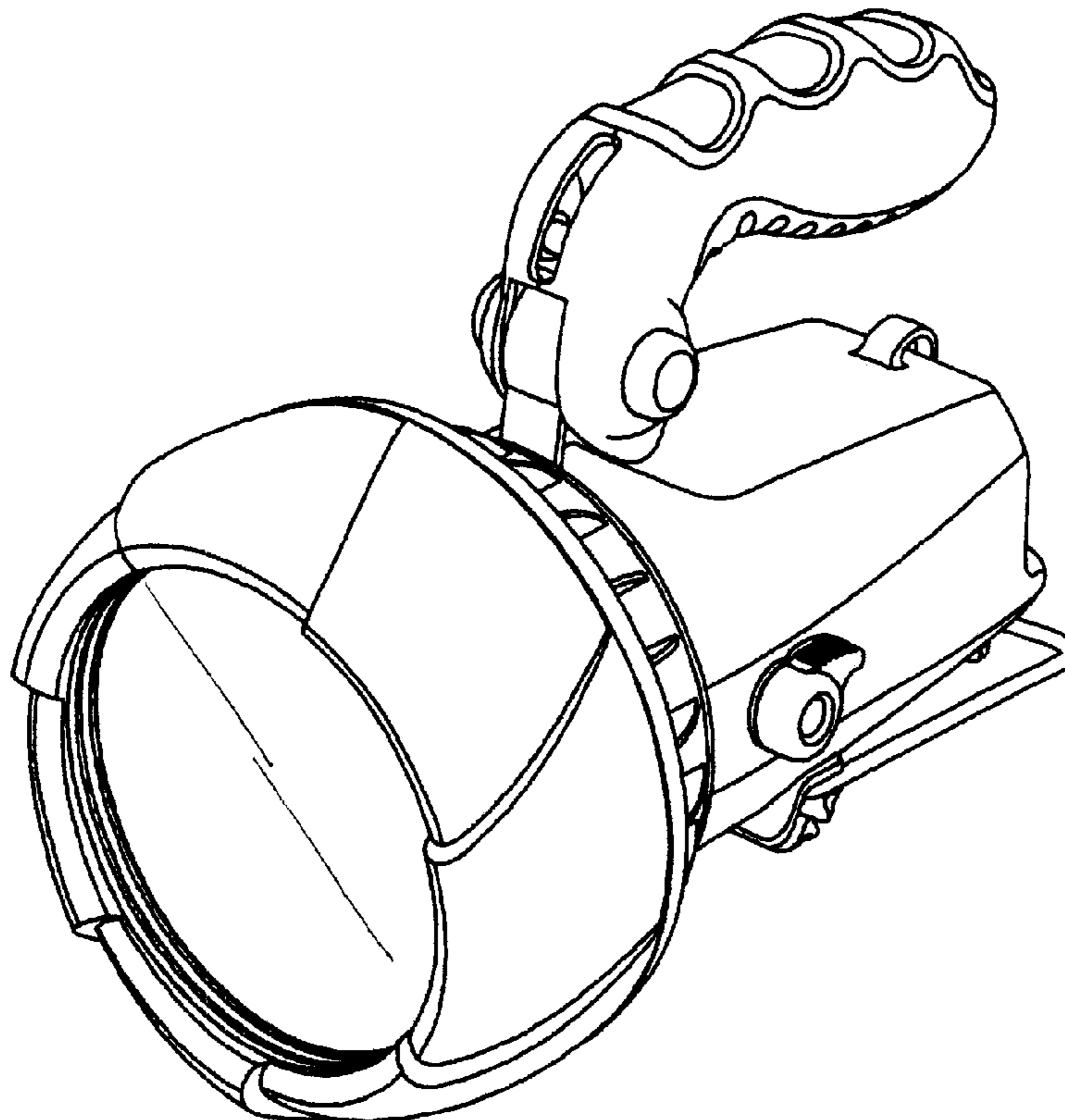
FIG. 8 is a bottom view thereof

FIG. 9 is a left side view thereof; and,

FIG. 10 is a right side view thereof.

\* cited by examiner

**1 Claim, 5 Drawing Sheets**



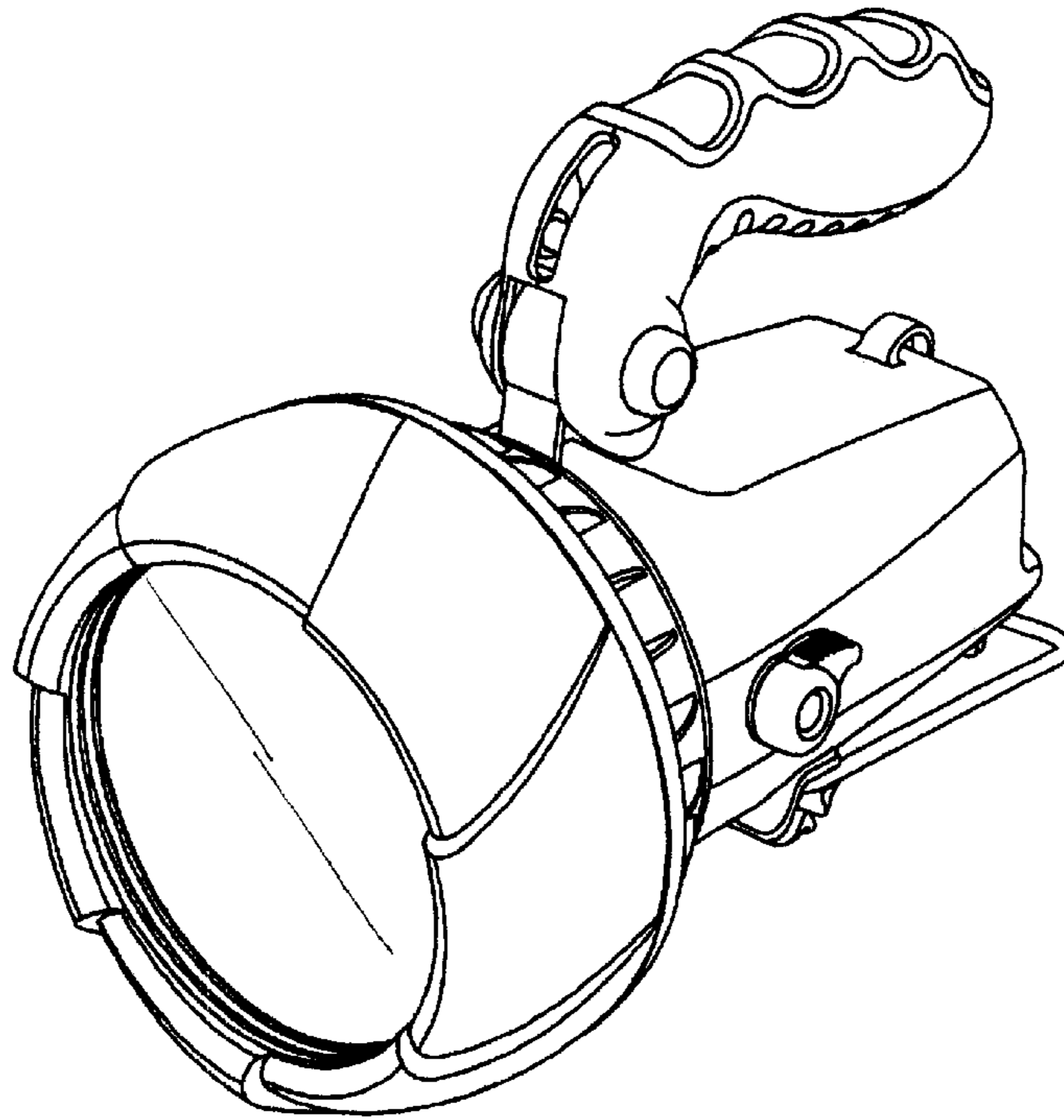


FIG. 1

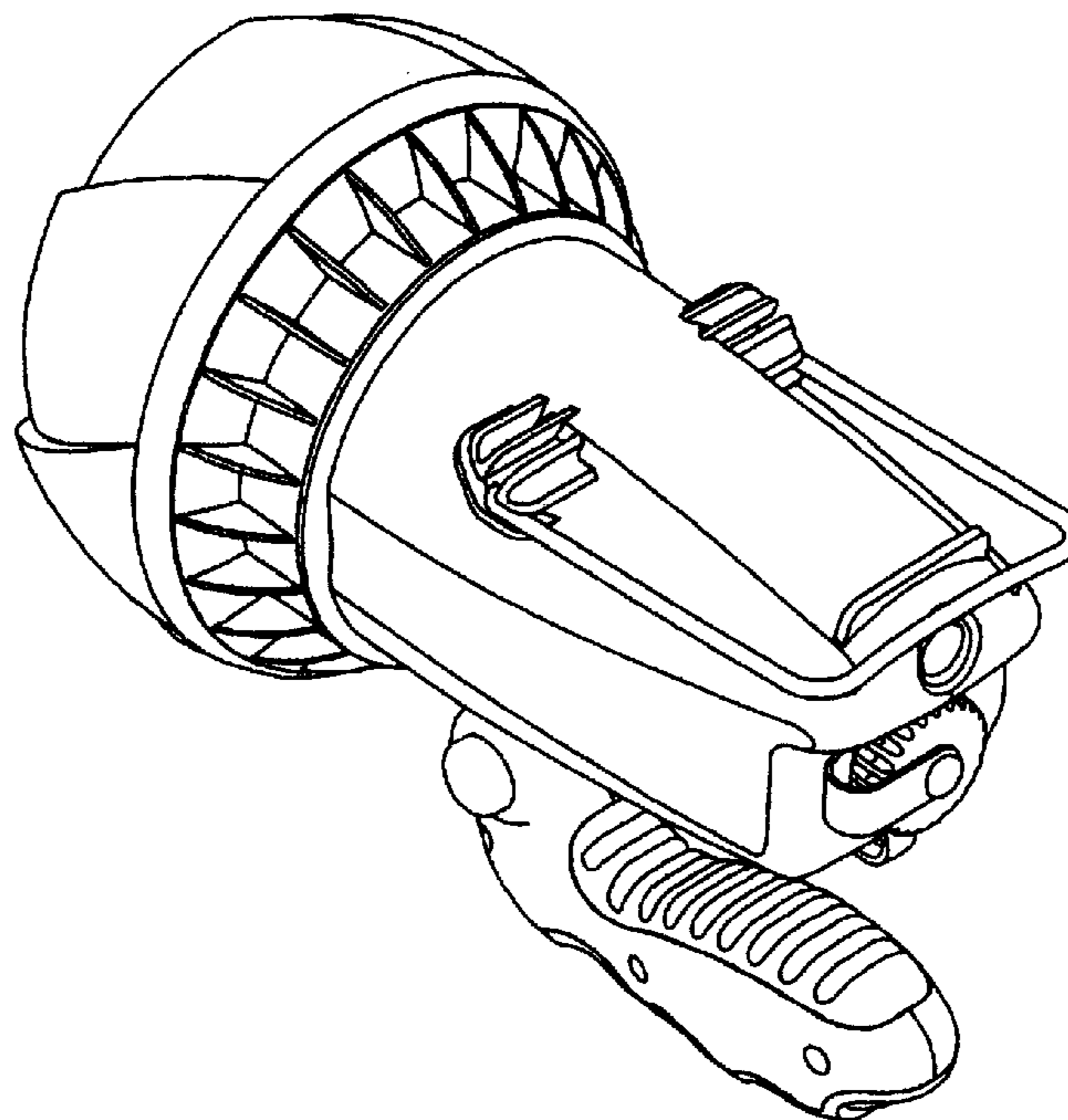


FIG. 2

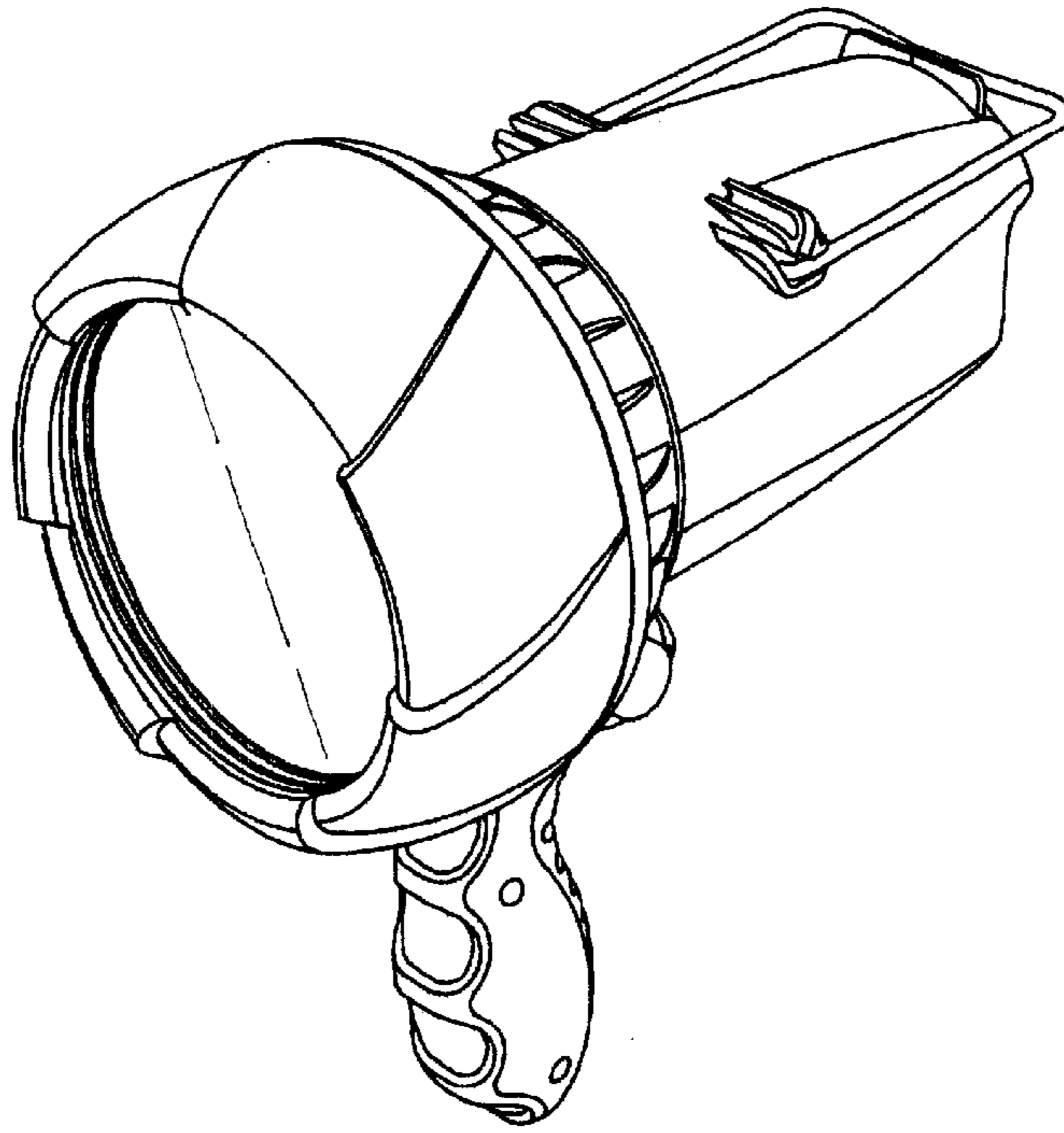


FIG. 3

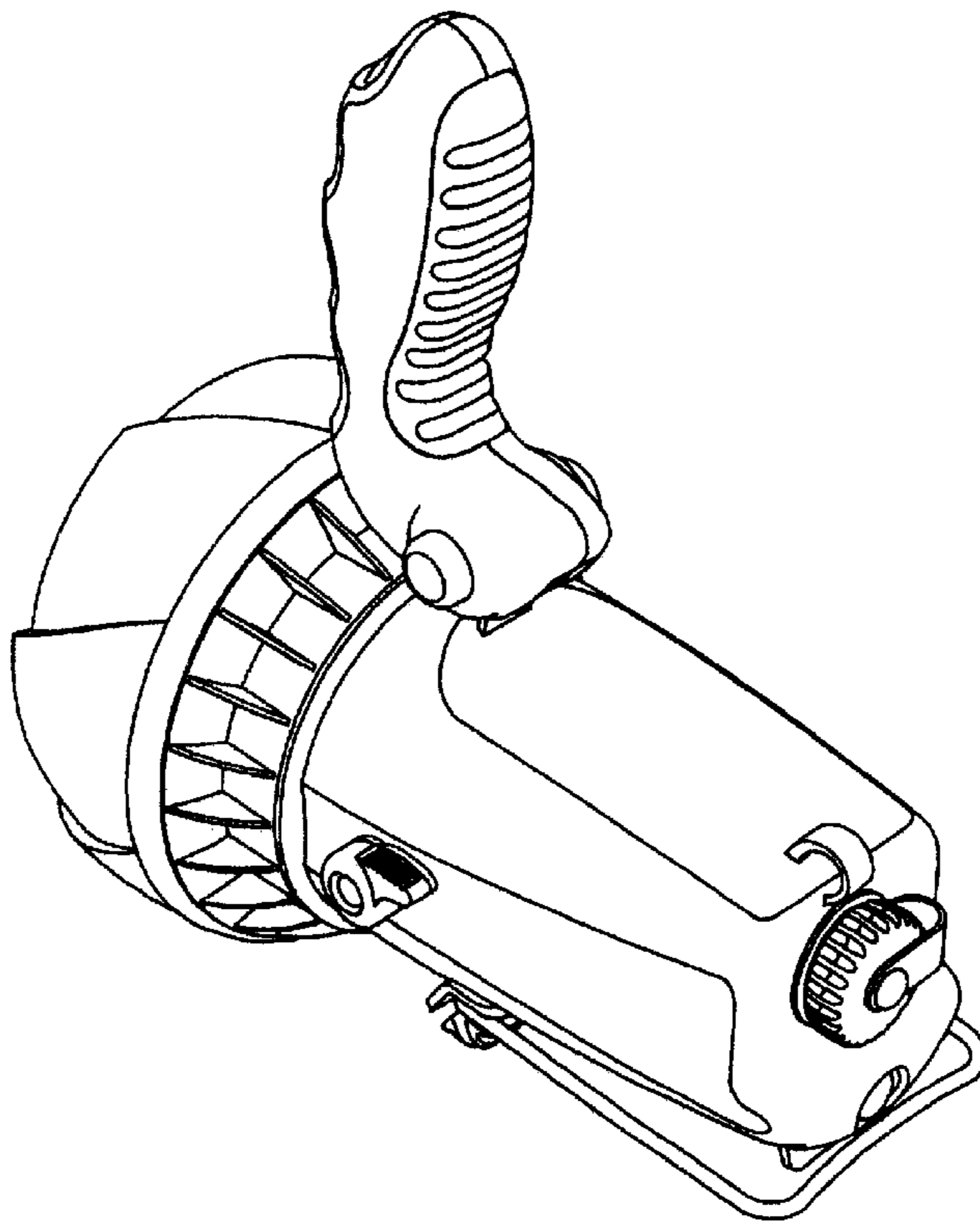


FIG. 4

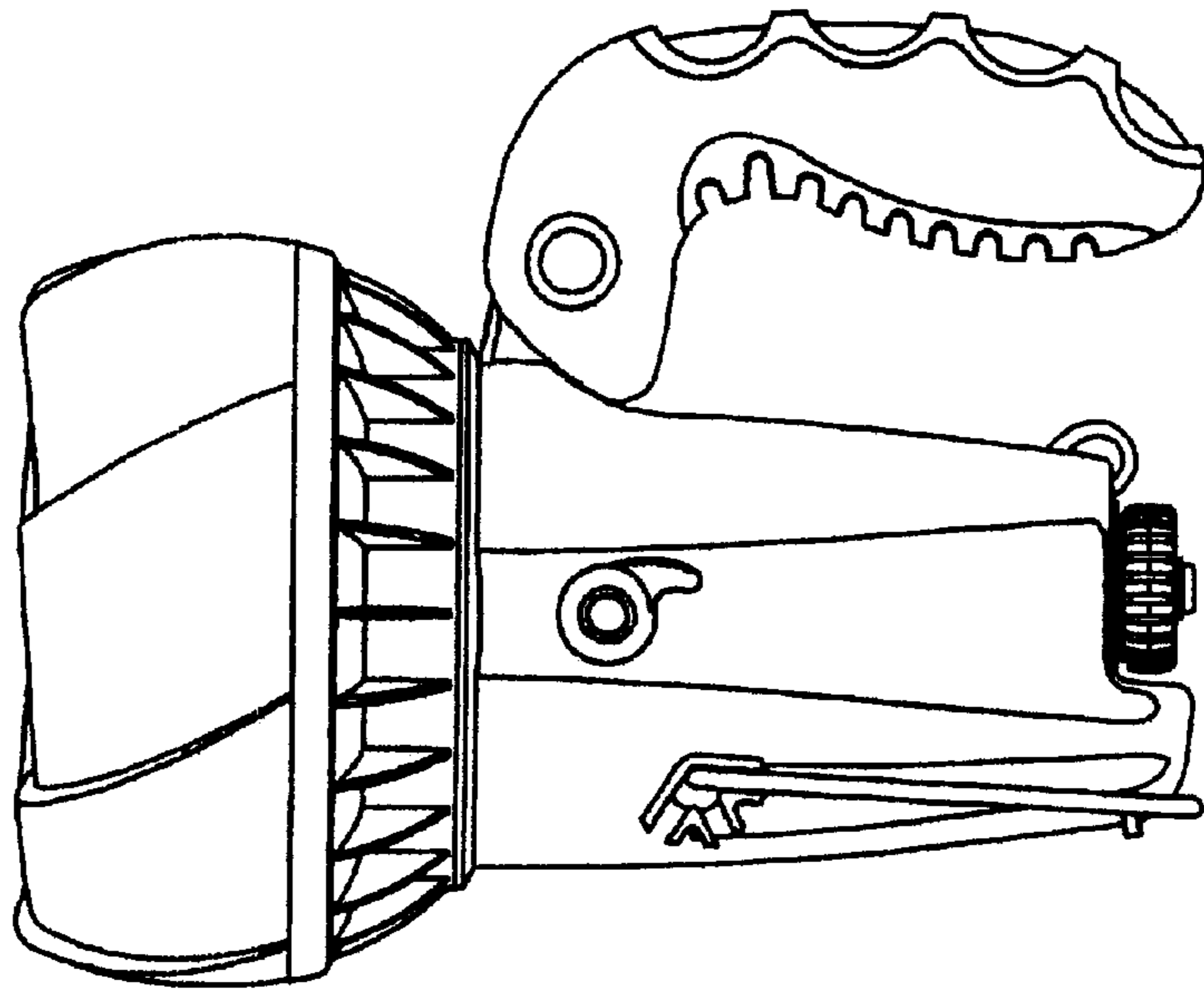


FIG. 5

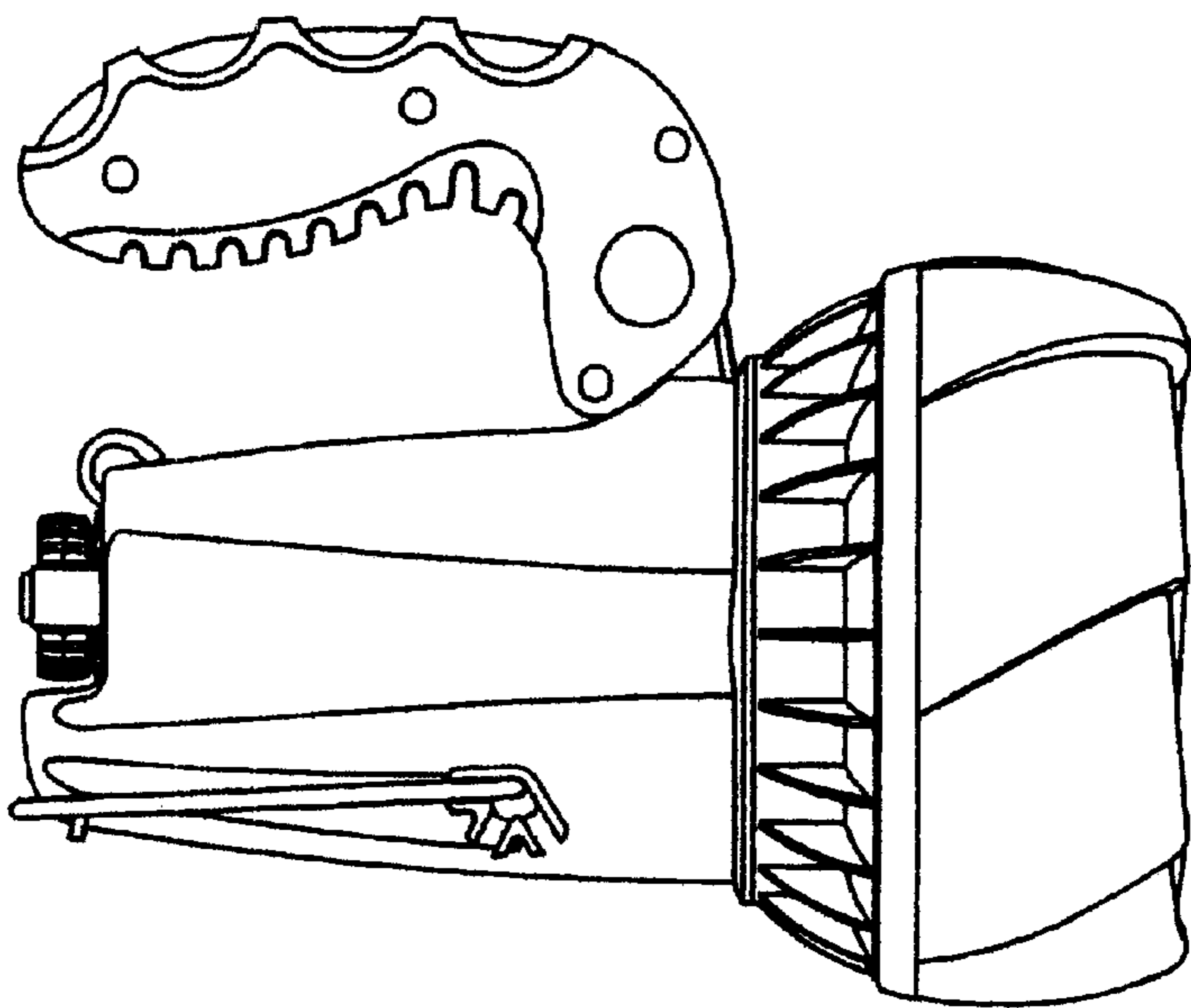


FIG. 6

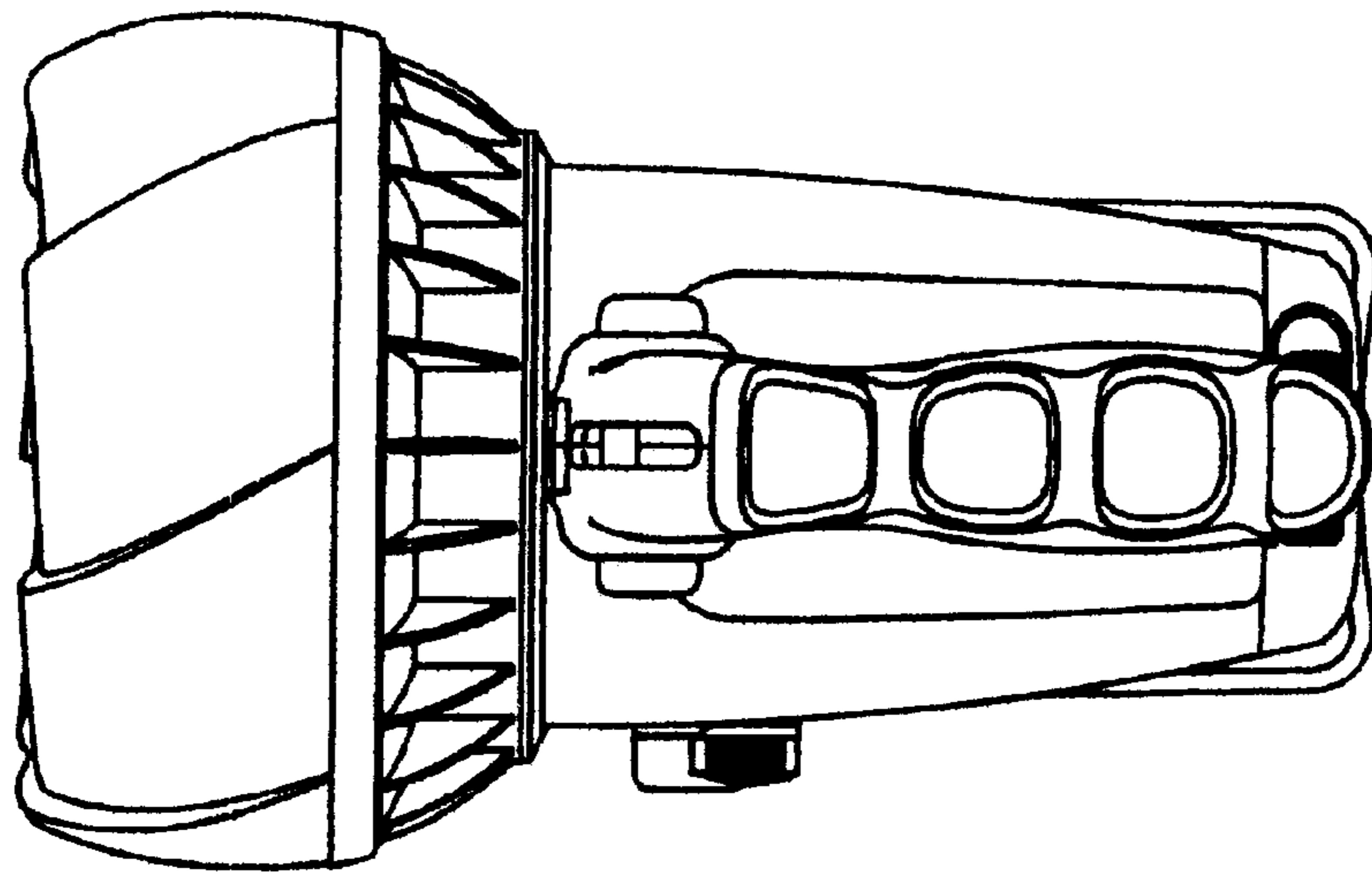


FIG. 7

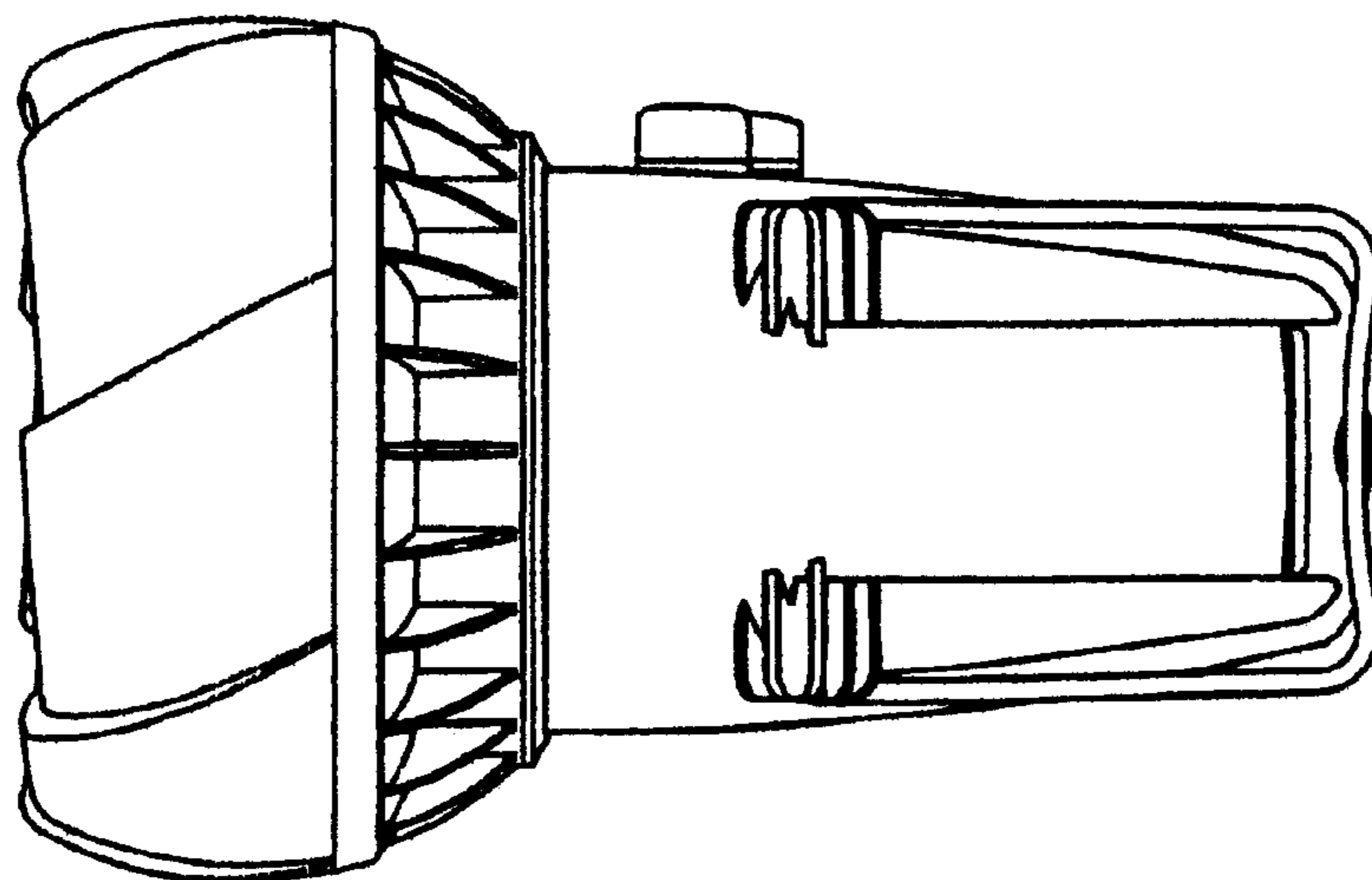


FIG. 8

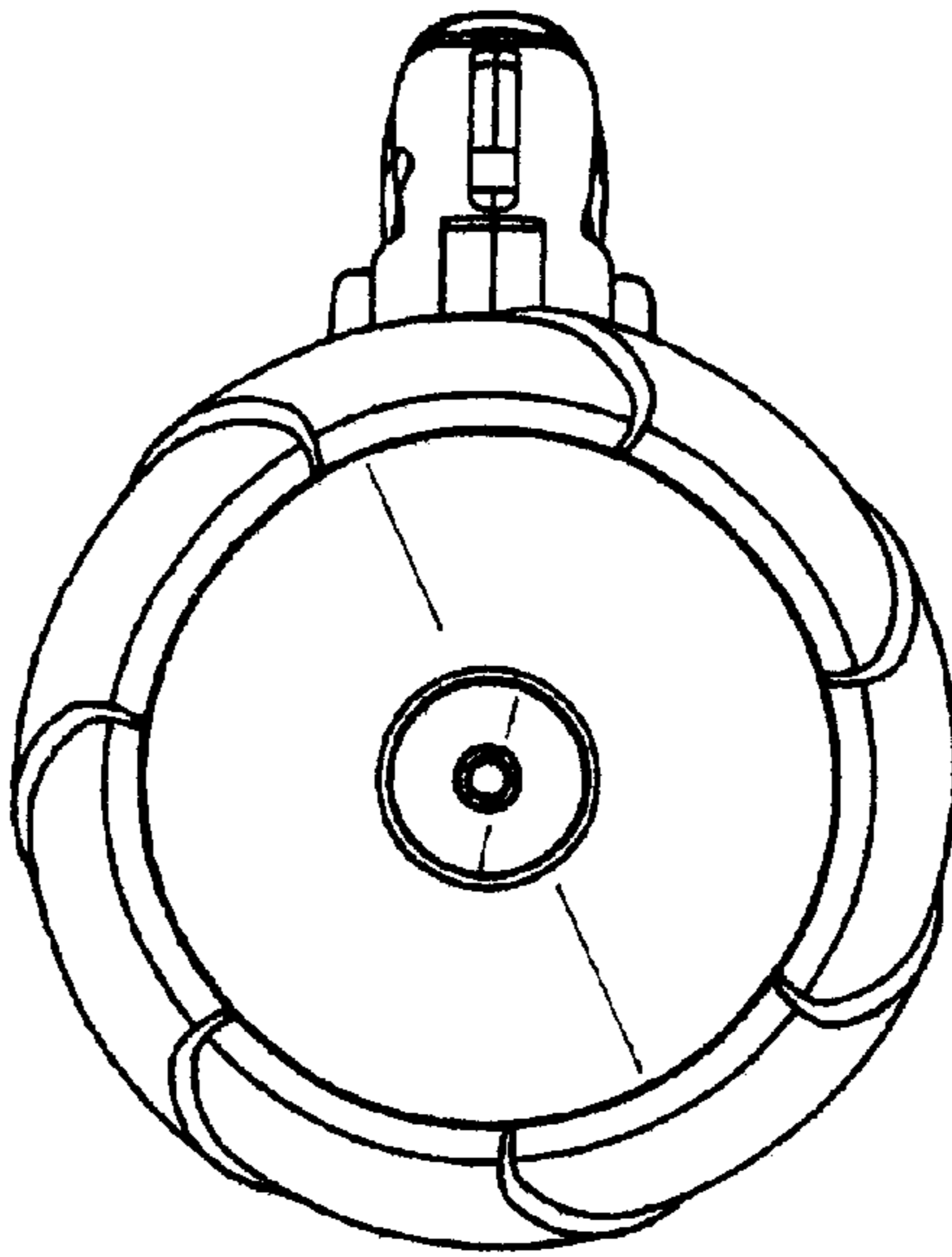


FIG. 9

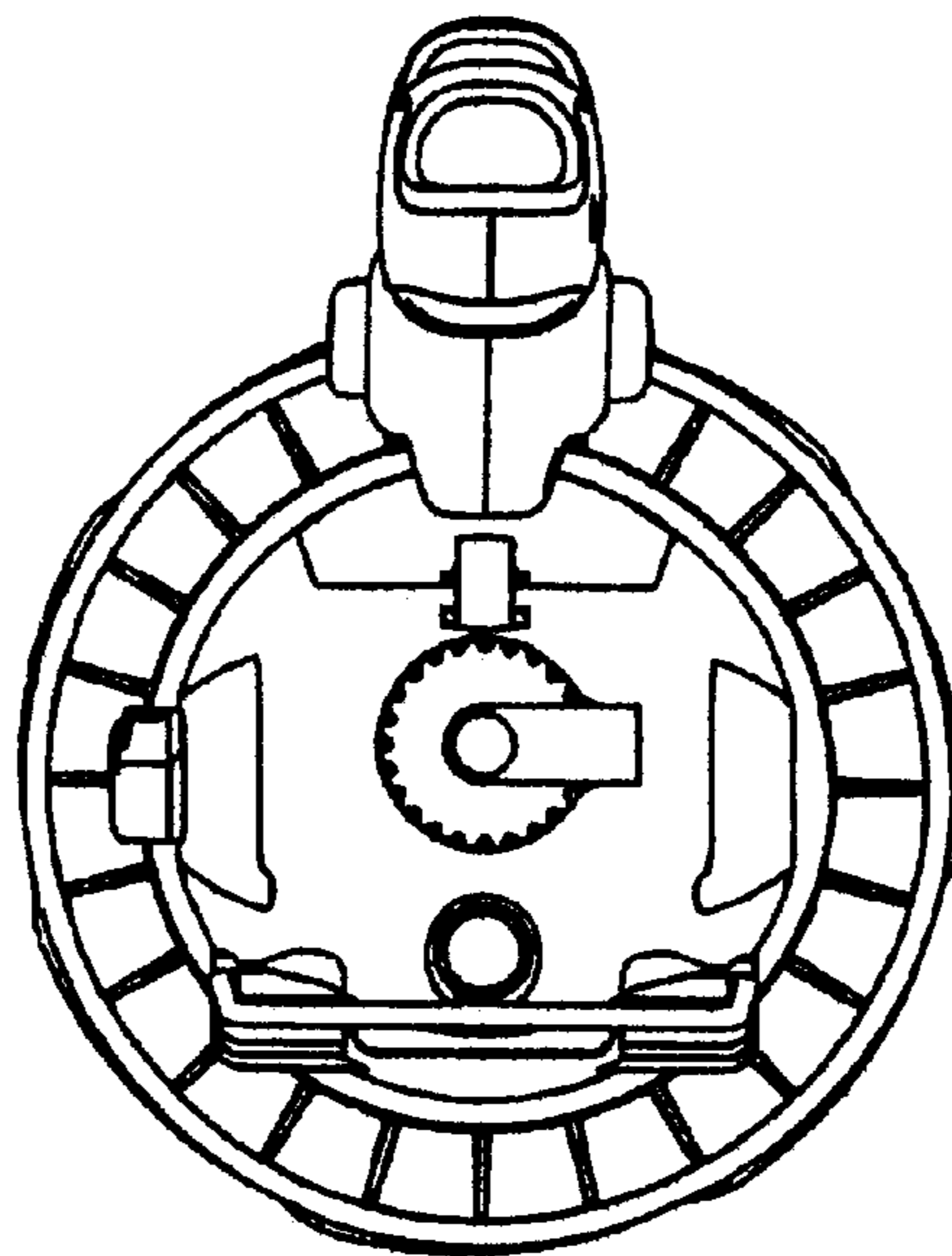


FIG. 10