



US00D537182S

(12) **United States Design Patent**
Chou

(10) **Patent No.:** **US D537,182 S**

(45) **Date of Patent:** **** Feb. 20, 2007**

(54) **FLASHLIGHT**

D529,212 S * 9/2006 Yuen D26/37

(76) Inventor: **Hung-Ke Chou**, No. 47, Lane 178,
Lijin 1St Road, Dali City, Taichung
Hsien (TW)

* cited by examiner

Primary Examiner—Marcus A. Jackson
(74) *Attorney, Agent, or Firm*—Rosenberg, Klein & Lee

(**) Term: **14 Years**

(57) **CLAIM**

(21) Appl. No.: **29/254,014**

The ornamental design for a “flashlight,” as shown and described.

(22) Filed: **Feb. 16, 2006**

DESCRIPTION

(51) **LOC (8) Cl.** **26-02**

(52) **U.S. Cl.** **D26/37**

(58) **Field of Classification Search** D26/37–50;
362/157, 158, 171–174, 183–208
See application file for complete search history.

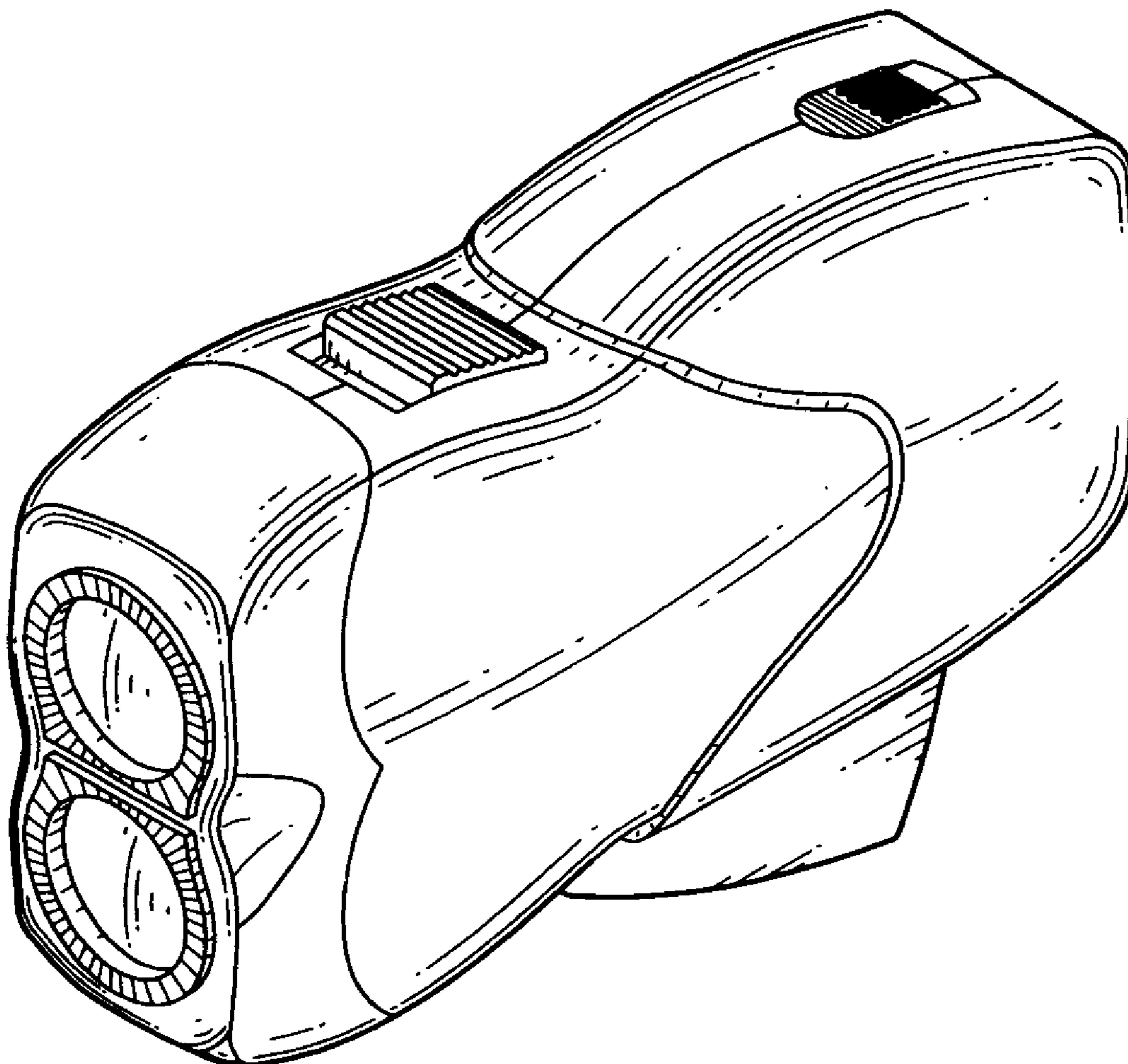
FIG. 1 is a perspective view of a flashlight, showing my new design;
FIG. 2 is a front view thereof;
FIG. 3 is a back view thereof;
FIG. 4 is a left side view thereof;
FIG. 5 is a right side view thereof;
FIG. 6 is a top view thereof; and,
FIG. 7 is a bottom view thereof.

(56) **References Cited**

U.S. PATENT DOCUMENTS

D522,673 S * 6/2006 Yuen D26/37
D527,130 S * 8/2006 Garrity et al. D26/45

1 Claim, 7 Drawing Sheets



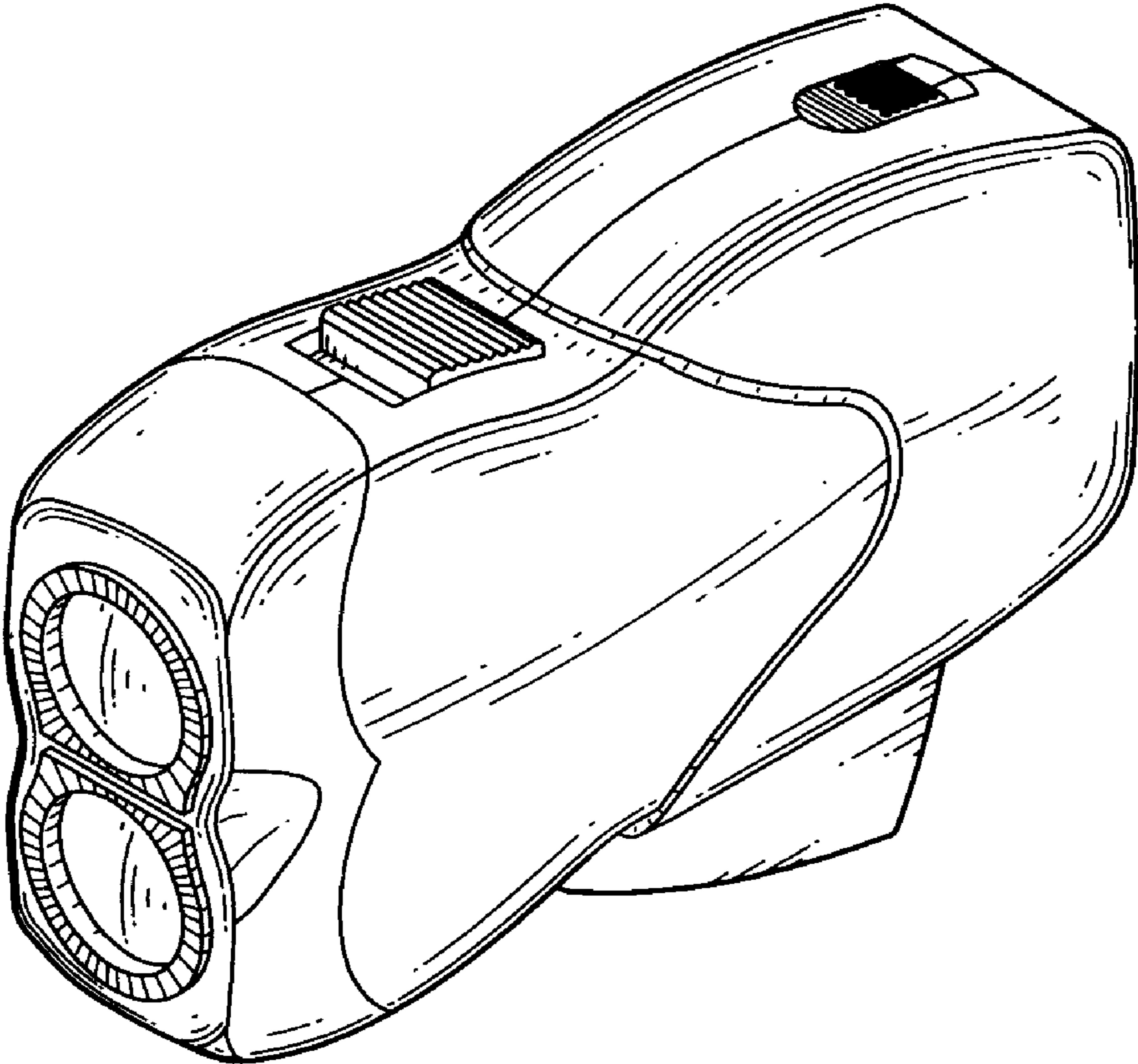


FIG. 1

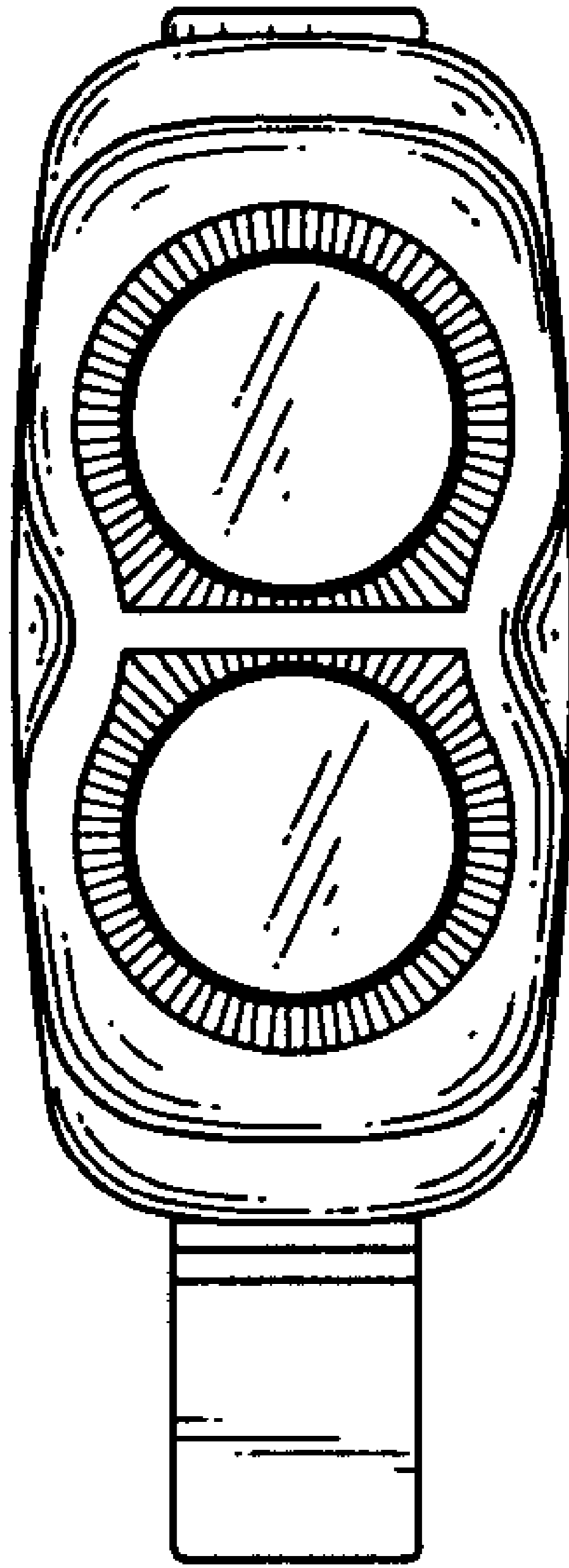


FIG. 2

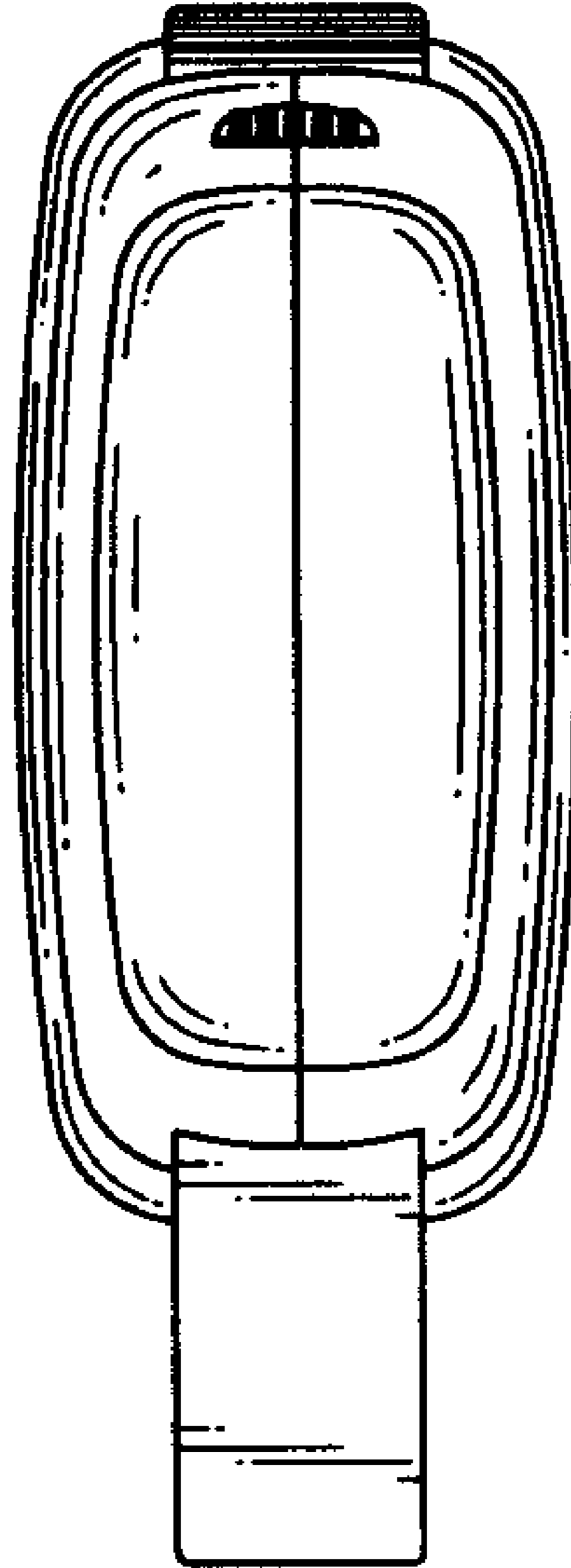


FIG. 3

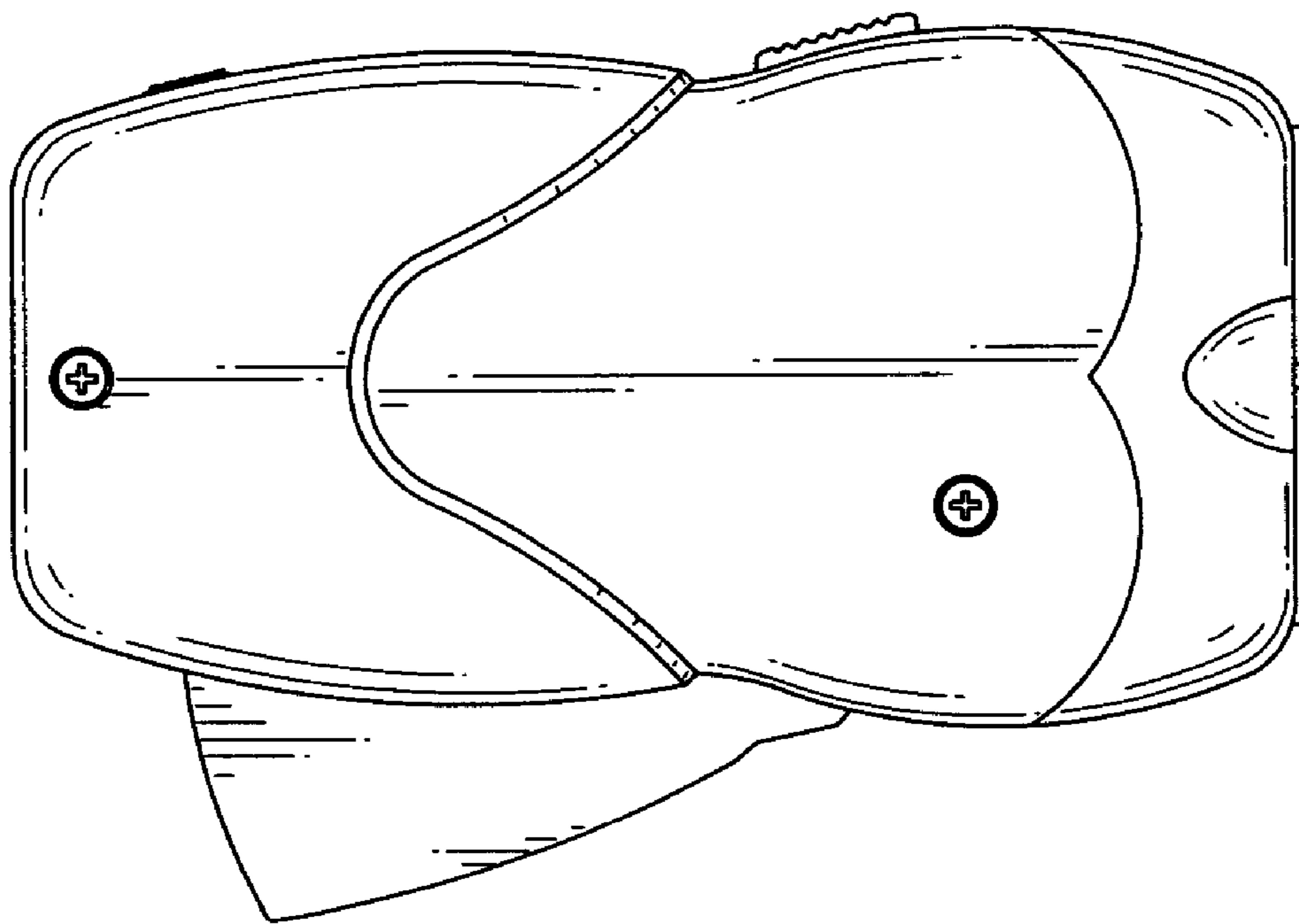


FIG. 4

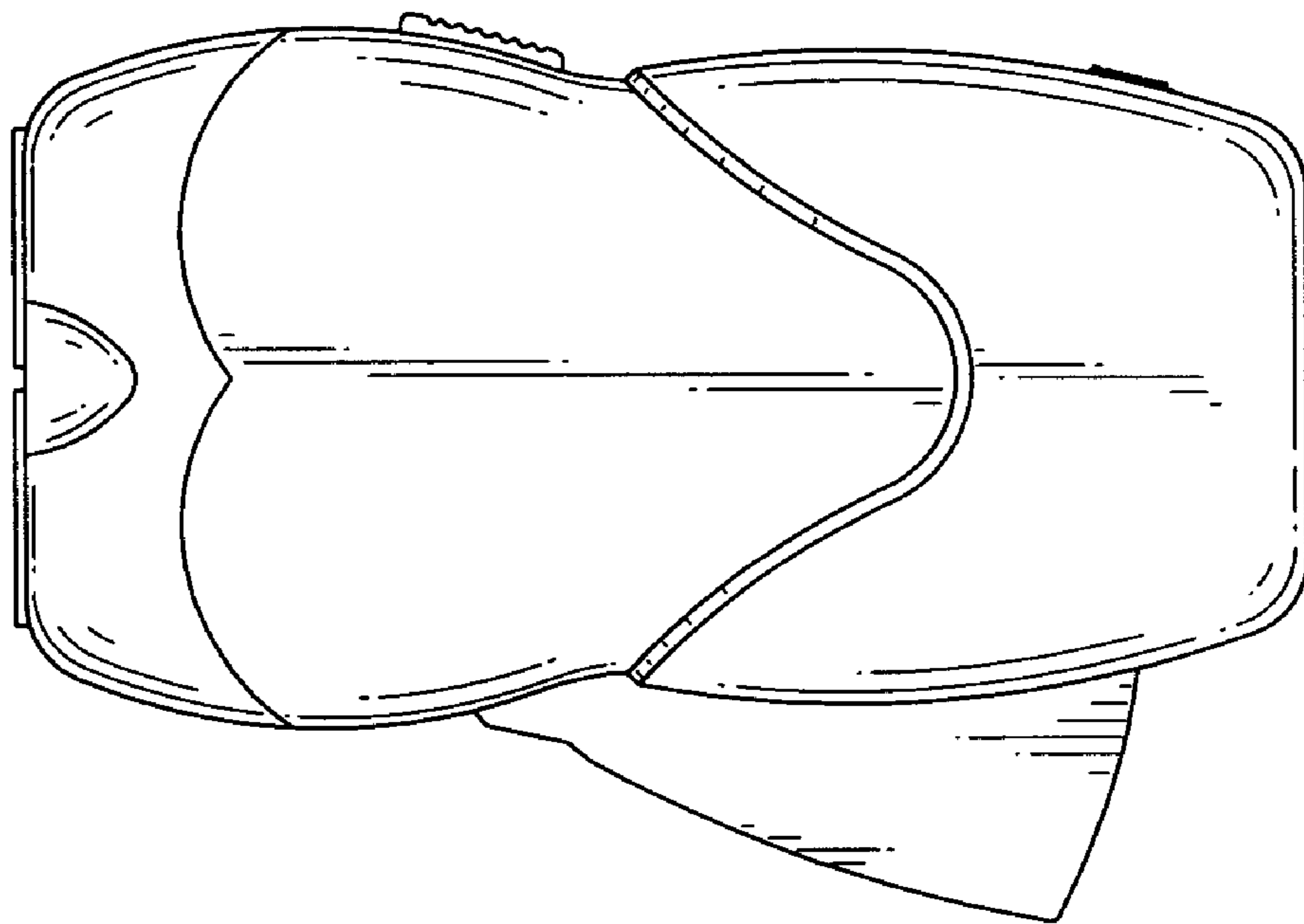


FIG. 5

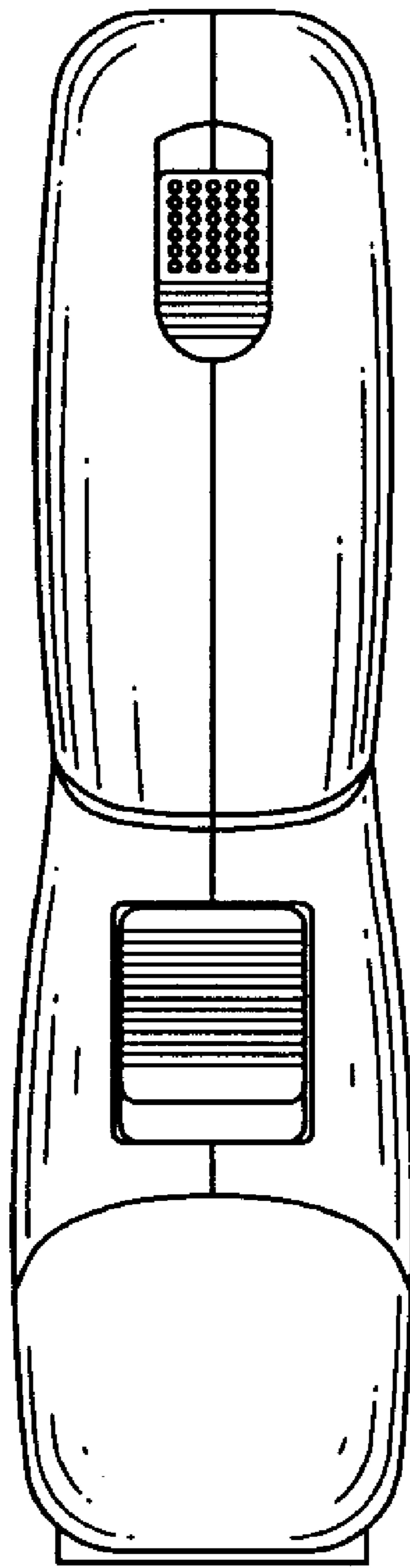


FIG. 6

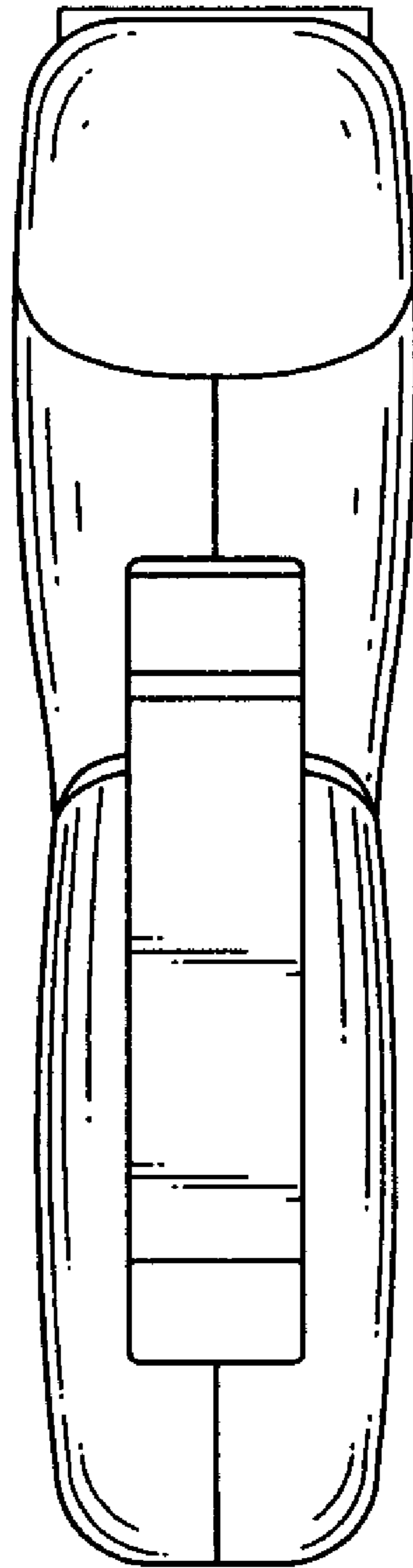


FIG. 7