



US00D537179S

(12) **United States Design Patent** (10) **Patent No.:** **US D537,179 S**  
**Hsu** (45) **Date of Patent:** **\*\* Feb. 20, 2007**

(54) **FRONT PORTION OF A VEHICLE HEADLIGHT**

(75) Inventor: **Ricky Hsu**, Palos Verdes, CA (US)

(73) Assignee: **Honda Motor Co., Ltd.**, Tokyo (JP)

(\*\*) Term: **14 Years**

(21) Appl. No.: **29/251,626**

(22) Filed: **Jan. 10, 2006**

(51) **LOC (8) Cl.** ..... **26-06**

(52) **U.S. Cl.** ..... **D26/28**

(58) **Field of Classification Search** ..... D26/28-36;  
362/459-468, 475-478, 485-487

See application file for complete search history.

(56) **References Cited**

**U.S. PATENT DOCUMENTS**

- D480,487 S \* 10/2003 Horowitz ..... D26/28
- D493,903 S \* 8/2004 Otsubo et al. .... D26/28
- D528,231 S \* 9/2006 Ikeda ..... D26/28

\* cited by examiner

*Primary Examiner*—Marcus A. Jackson  
(74) *Attorney, Agent, or Firm*—Plumsea Law Group, LLC;  
Mark E. Duell

(57) **CLAIM**

The ornamental design for a front portion of a vehicle headlight, as shown and described.

**DESCRIPTION**

FIG. 1 is a perspective view of a front portion of a vehicle headlight showing my new design;

FIG. 2 is a side elevational view thereof;

FIG. 3 is a front elevational view thereof;

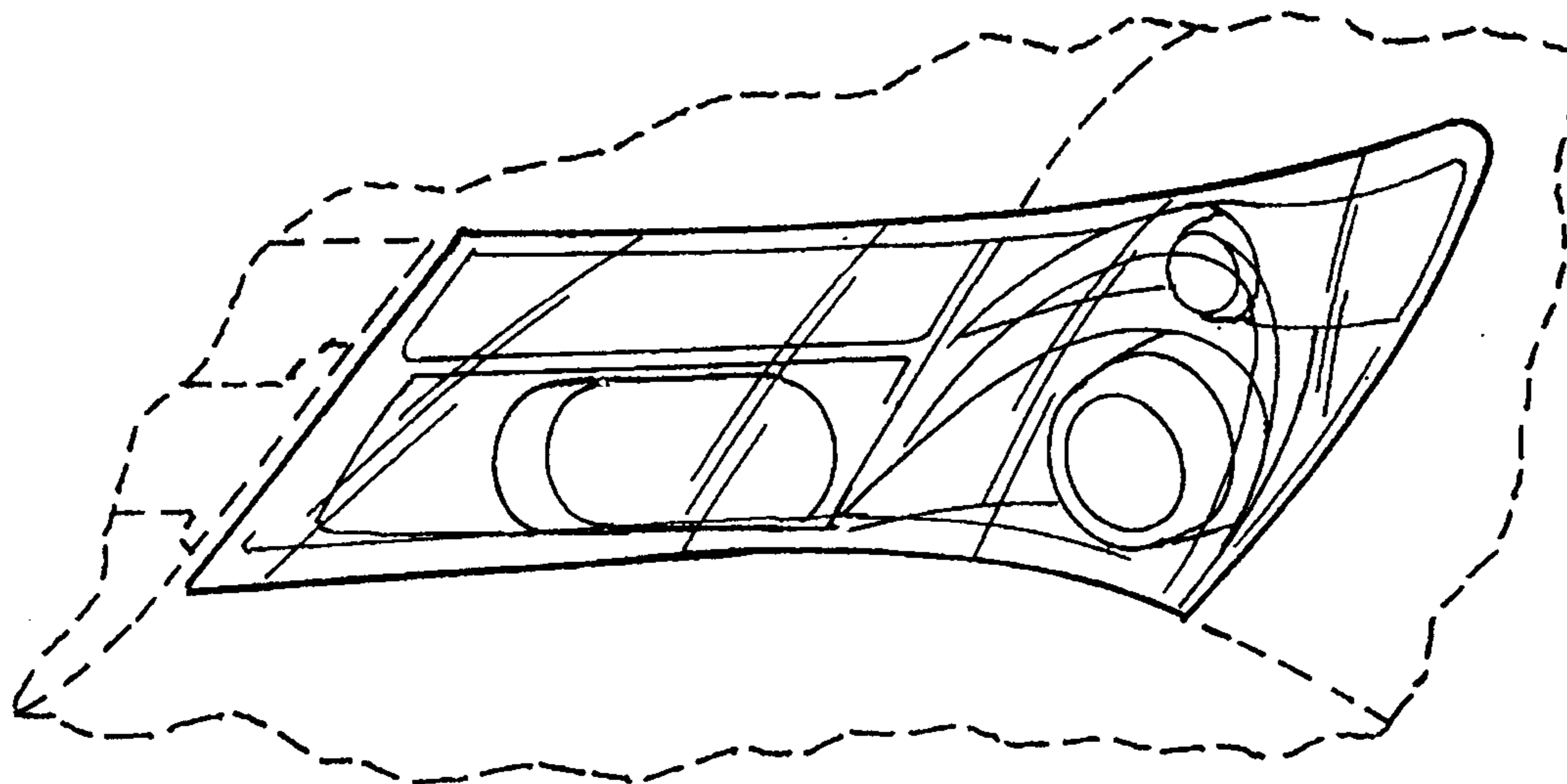
FIG. 4 is a perspective view of a right-handed version thereof;

FIG. 5 is a side elevational view of a right-handed version thereof; and,

FIG. 6 is a front elevational view of a right-handed version thereof.

The broken line showing of the surrounding vehicle front end area are for illustrative purposes only and form no part of the claimed design.

**1 Claim, 2 Drawing Sheets**



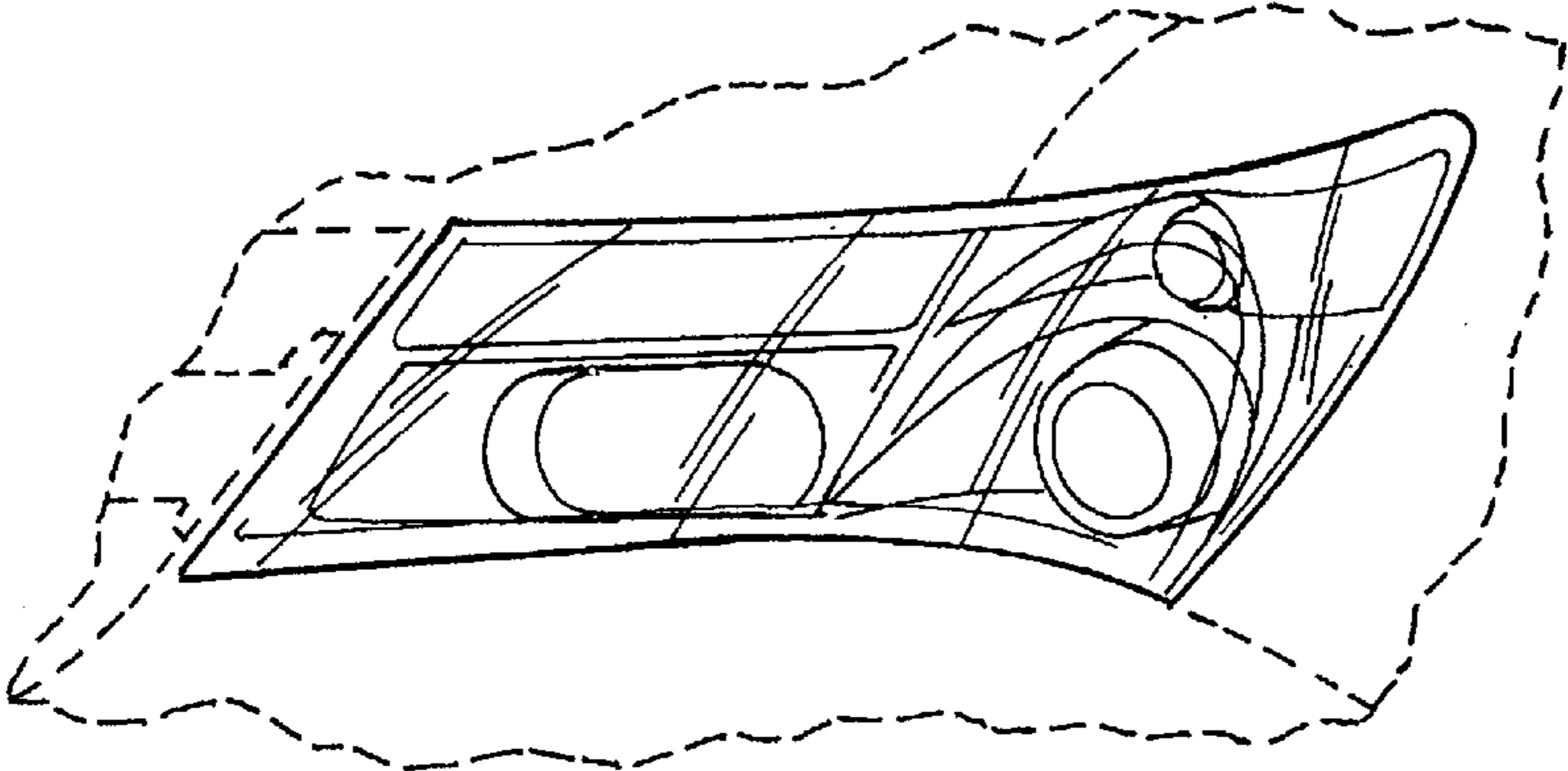


FIG. 1

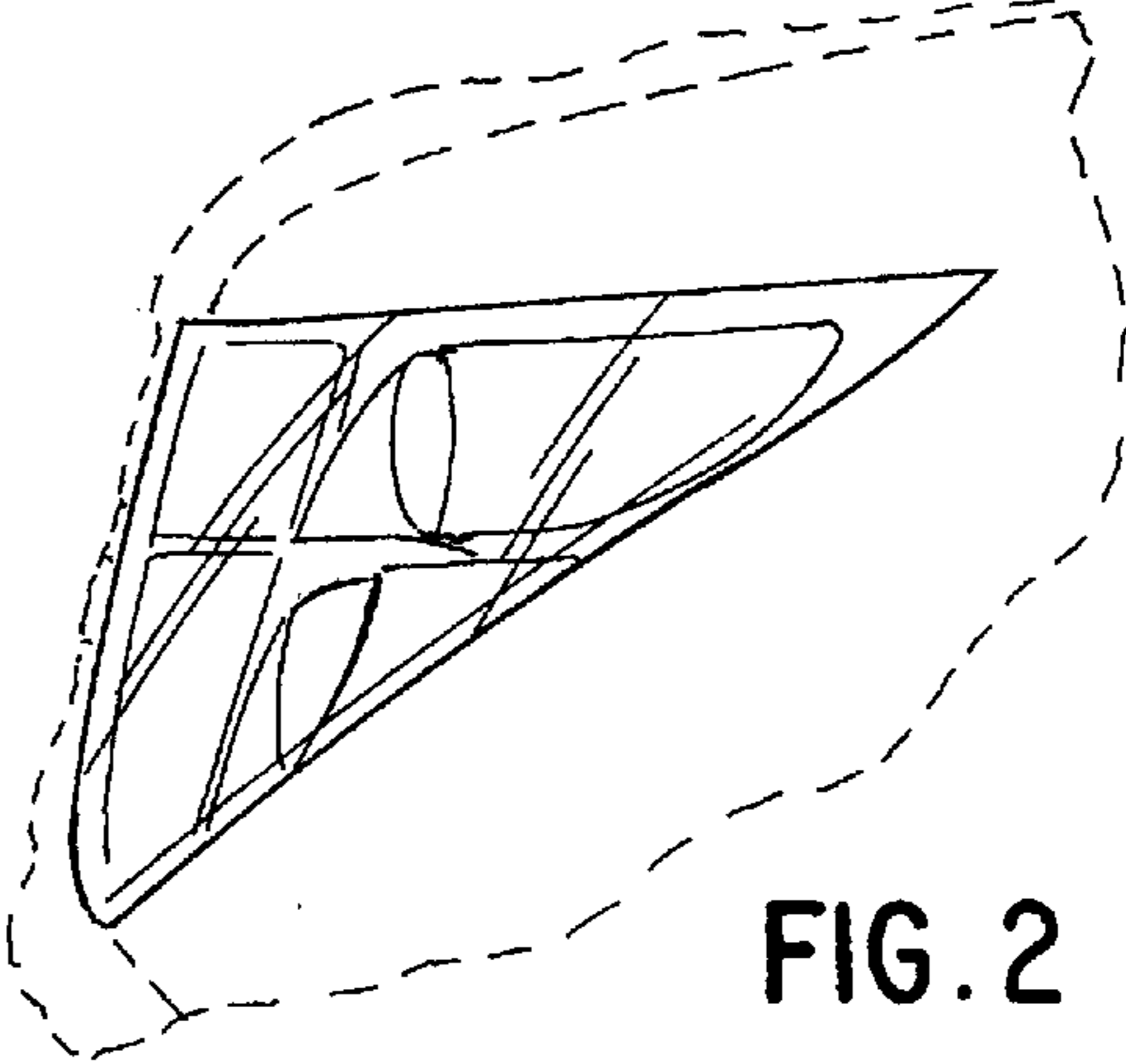


FIG. 2

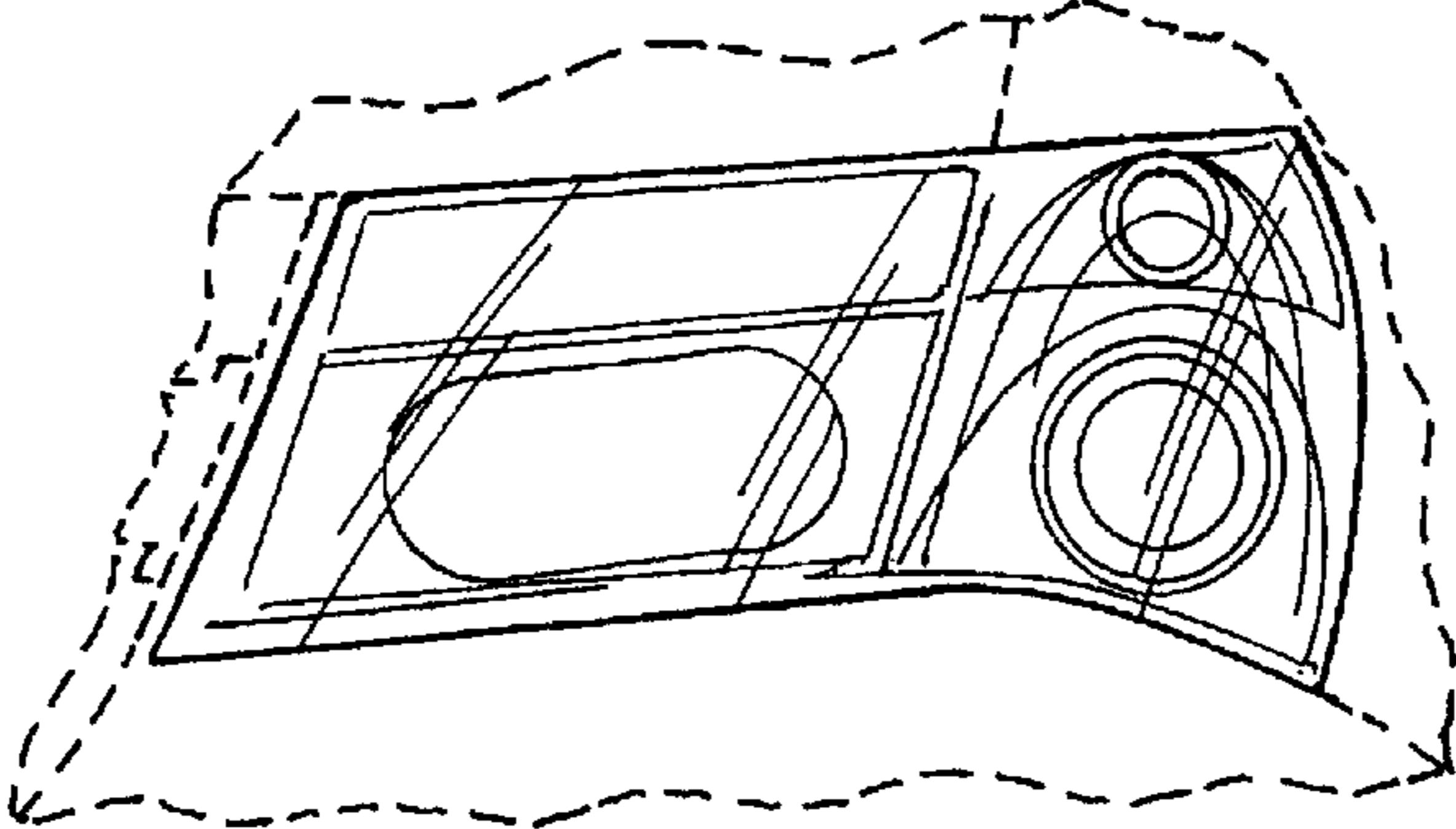


FIG. 3

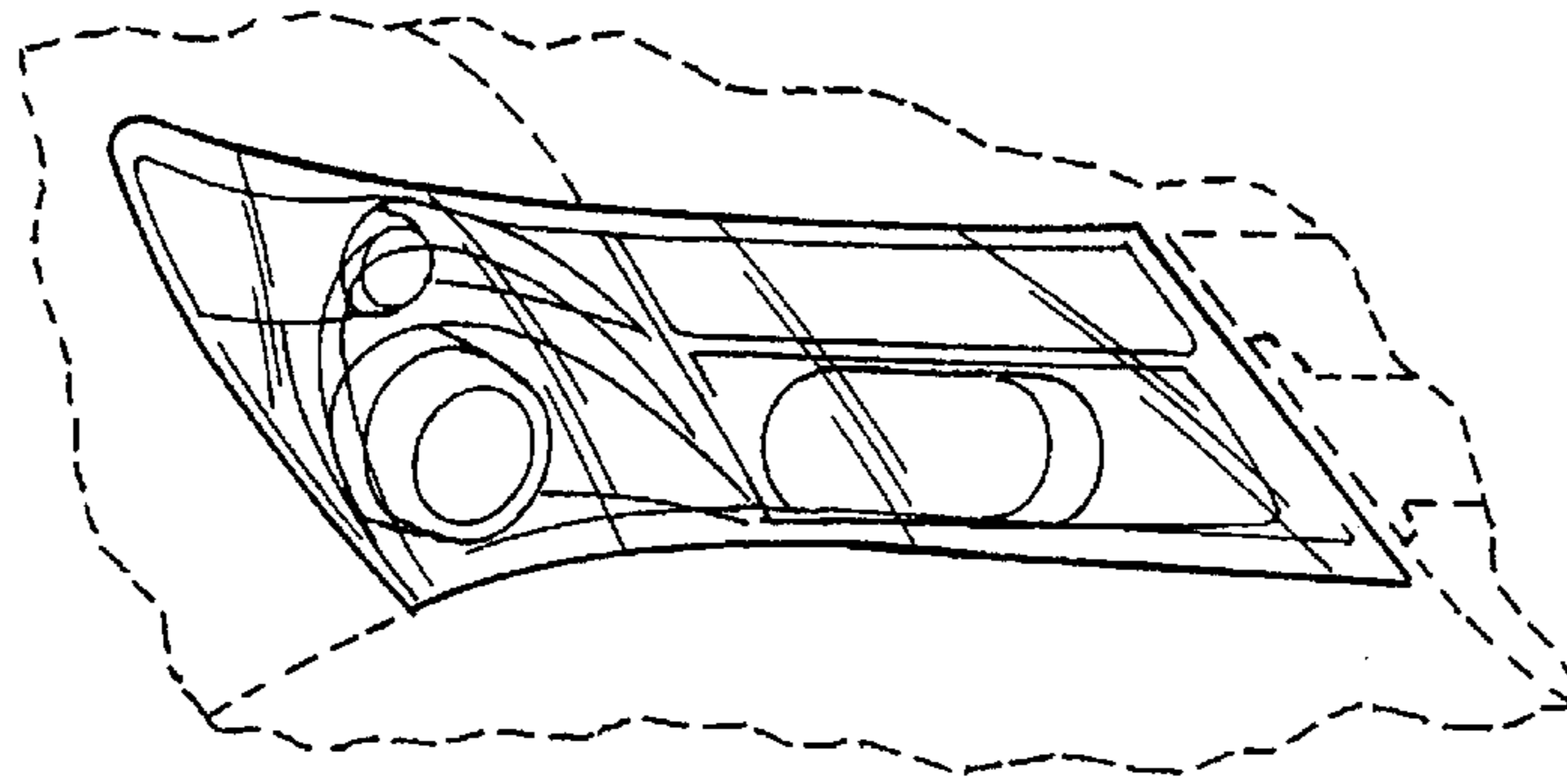


FIG. 4

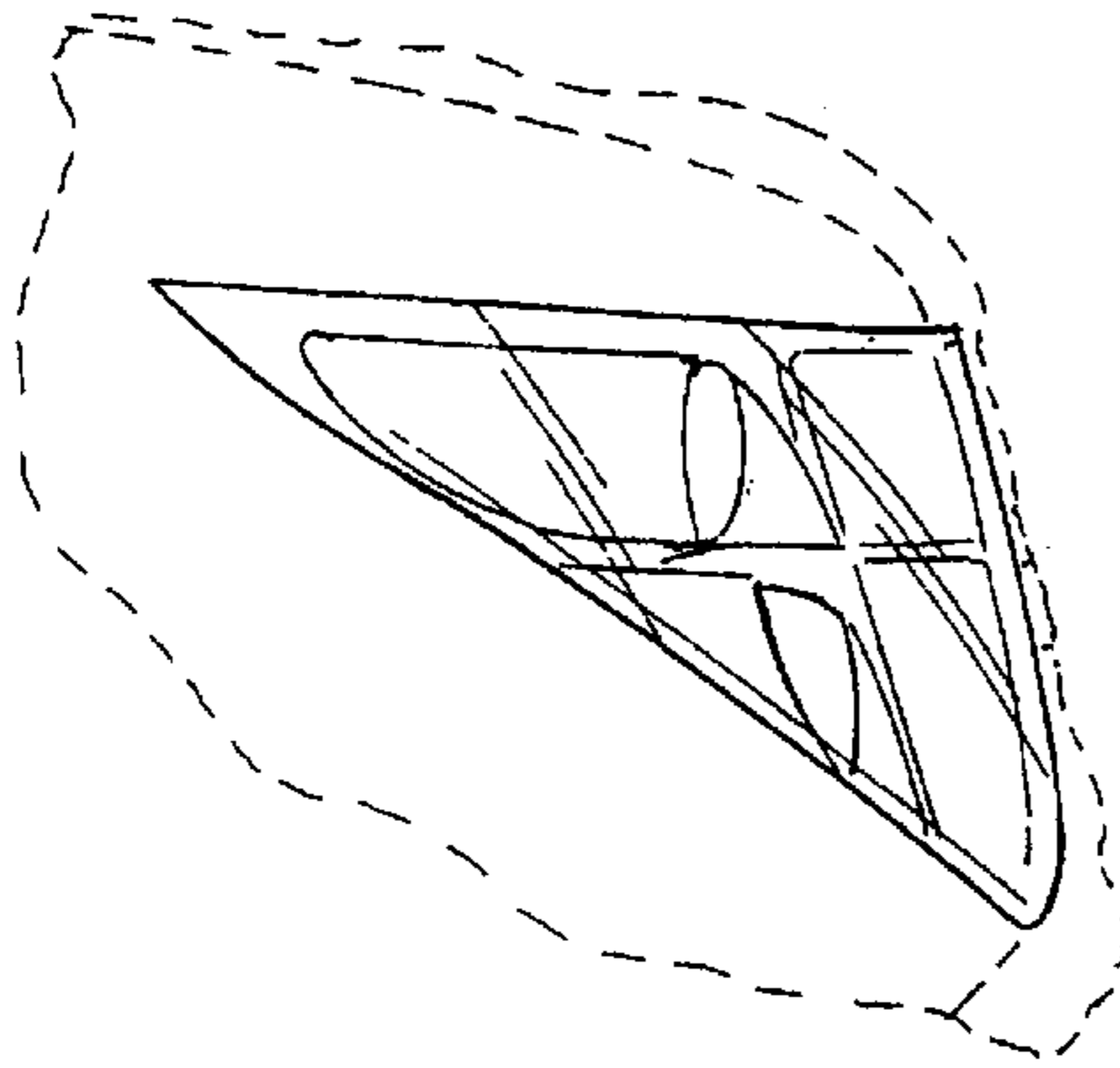


FIG. 5

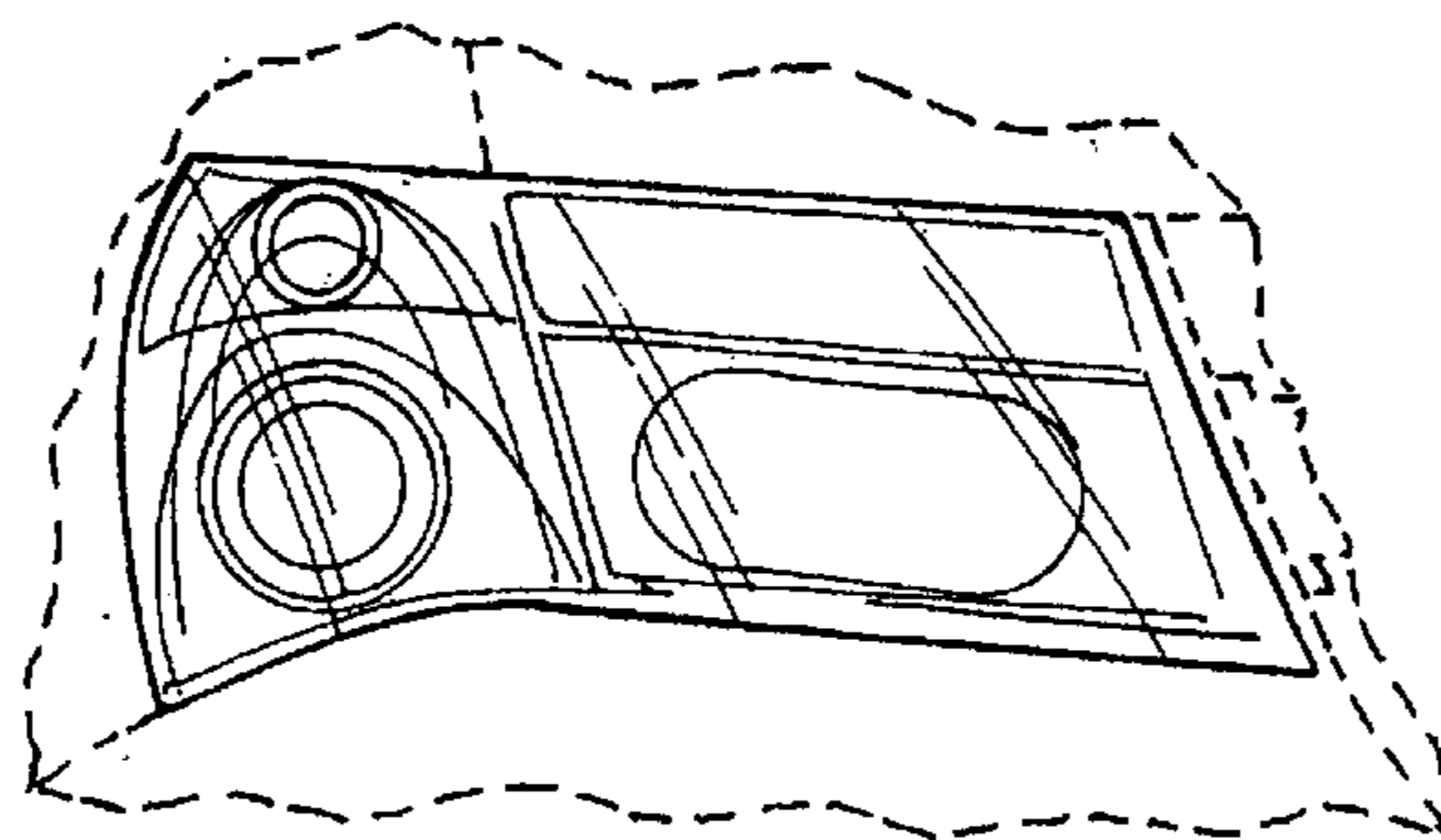


FIG. 6