



US00D537175S

(12) **United States Design Patent**
He

(10) **Patent No.:** **US D537,175 S**

(45) **Date of Patent:** **** Feb. 20, 2007**

(54) **COMPACT FLUORESCENT LAMP TUBE**

D410,555 S * 6/1999 Soo D26/3
D466,630 S * 12/2002 Bobel D26/3

(75) Inventor: **Runlin He**, Fujian (CN)

* cited by examiner

(73) Assignee: **Xiamen Donglin Electronic Co., Ltd.**,
Fujian (CN)

Primary Examiner—Marcus A. Jackson
(74) *Attorney, Agent, or Firm*—Banger Shia

(**) Term: **14 Years**

(57) **CLAIM**

(21) Appl. No.: **29/252,023**

The ornamental design for the compact fluorescent lamp tube, as shown and described.

(22) Filed: **Jan. 17, 2006**

DESCRIPTION

(51) **LOC (8) Cl.** **26-04**

(52) **U.S. Cl.** **D26/3**

(58) **Field of Classification Search** D26/1-4;
313/313, 315, 317, 318, 493; 315/52, 53,
315/56, 57, 58

FIG. 1 is a perspective view of the compact fluorescent lamp tube showing my present design,
FIG. 2 is a front view thereof;
FIG. 3 is a rear view thereof;
FIG. 4 is a left view thereof;
FIG. 5 is a right view thereof;
FIG. 6 is a top view thereof; and,
FIG. 7 is a bottom view.

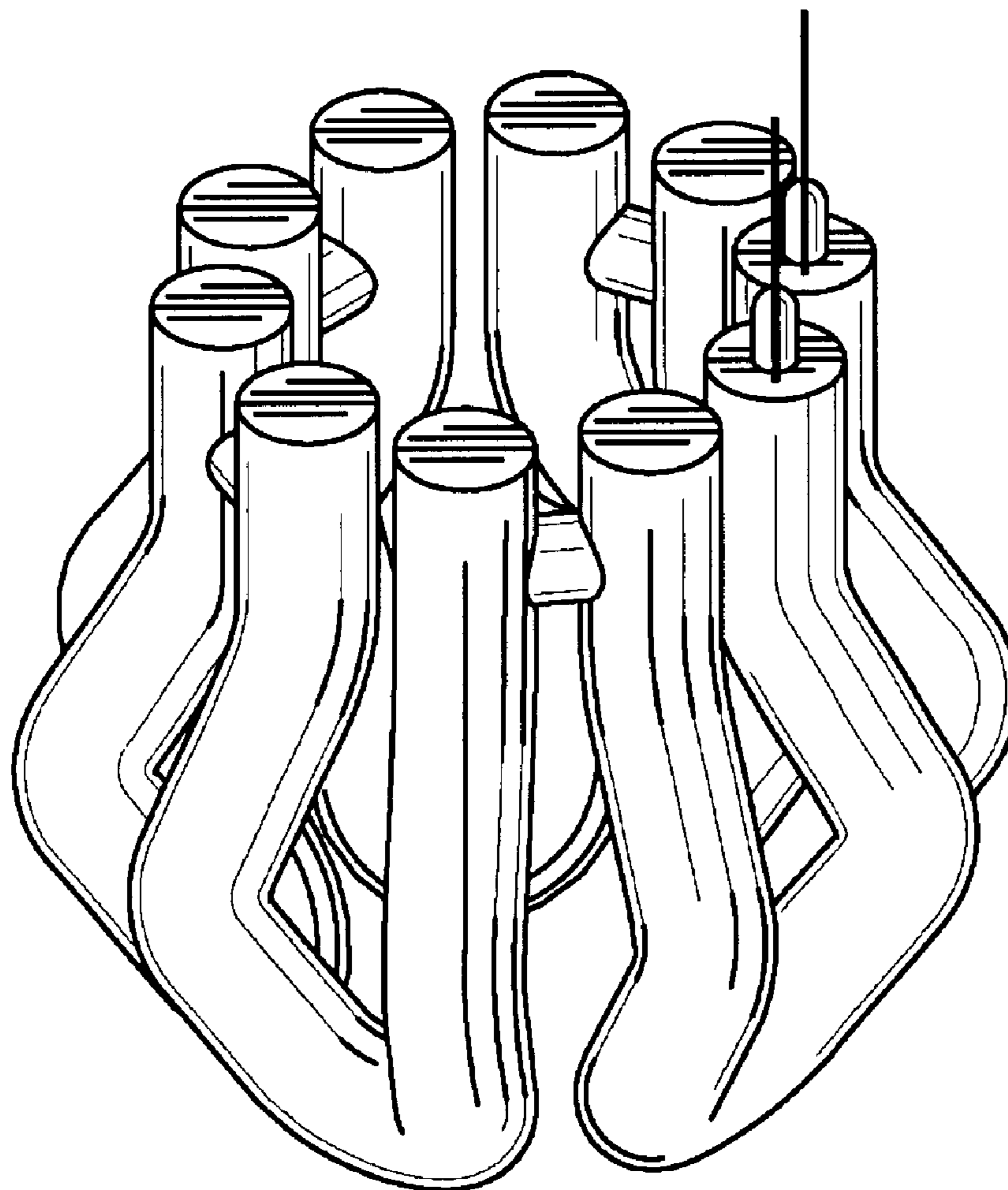
See application file for complete search history.

(56) **References Cited**

U.S. PATENT DOCUMENTS

D406,908 S * 3/1999 Foo D26/3

1 Claim, 4 Drawing Sheets



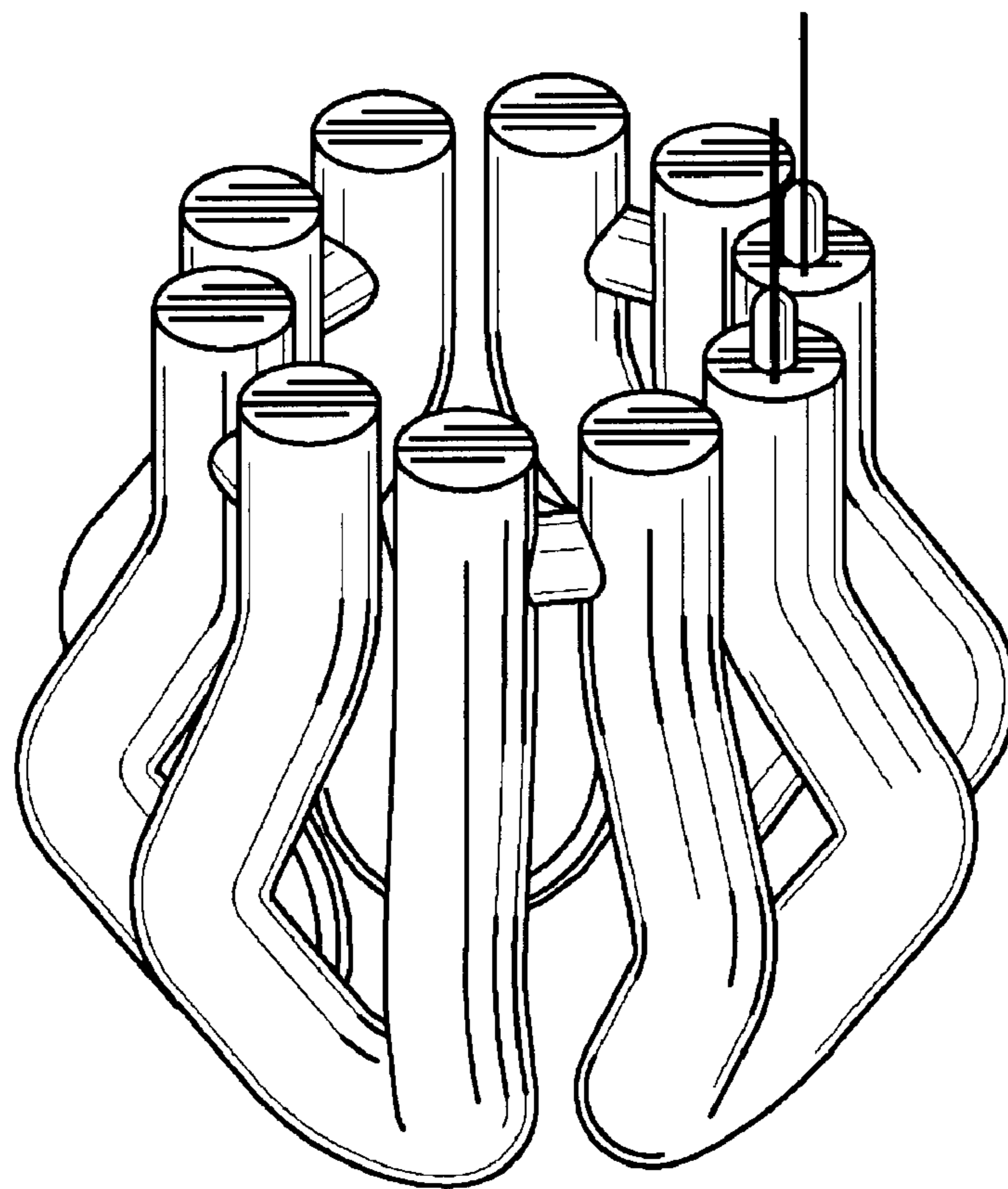


FIG. 1

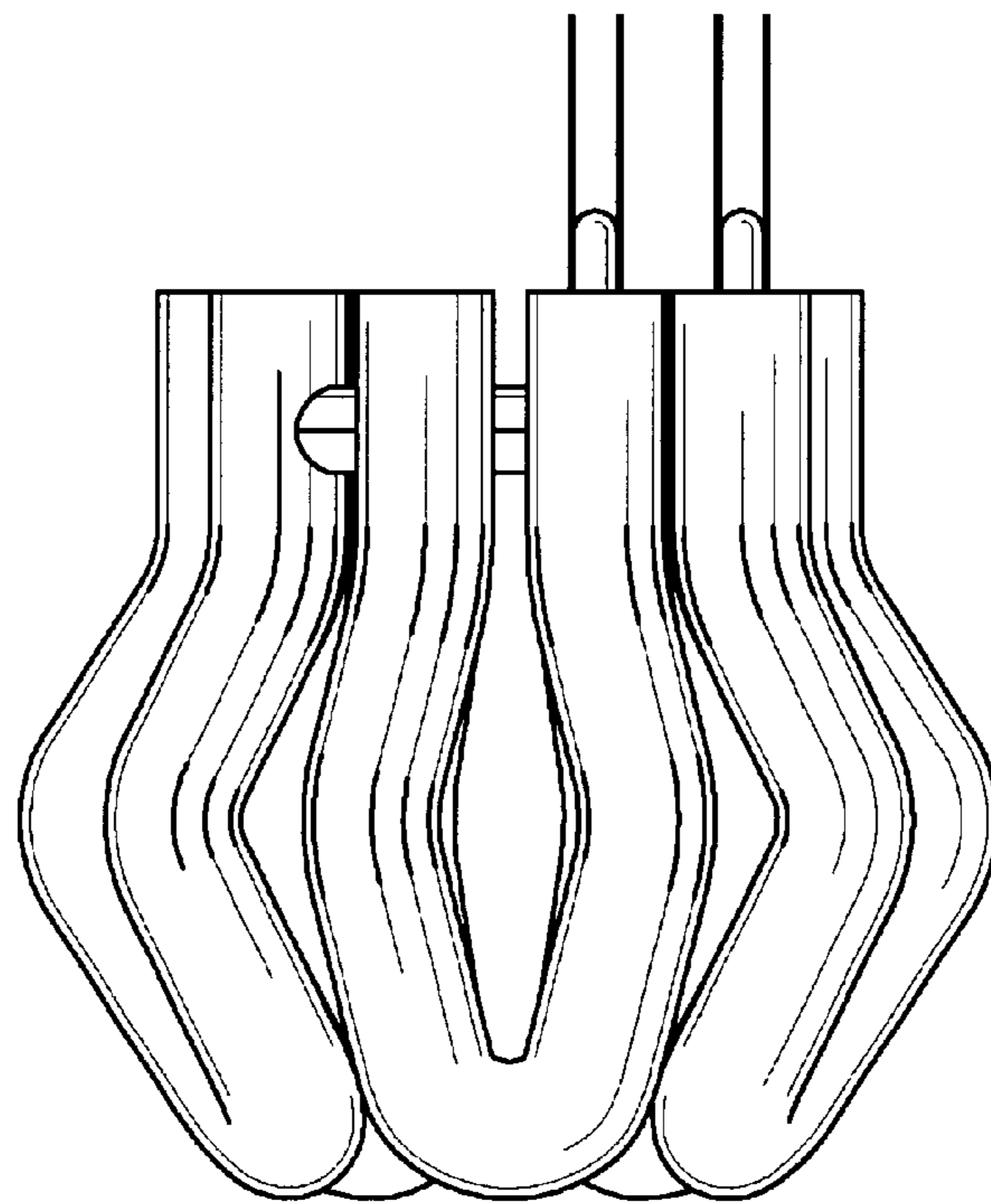


FIG. 2

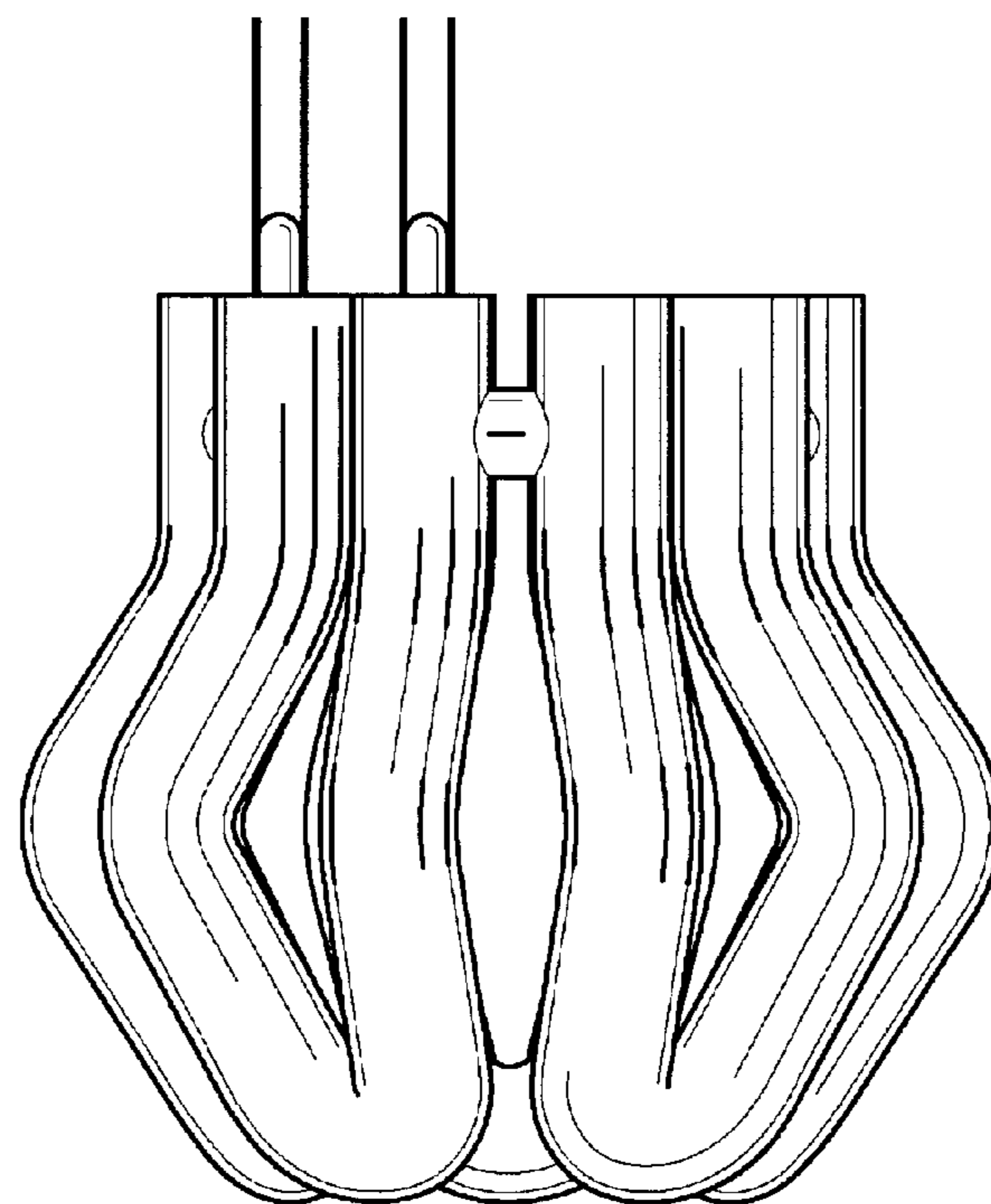


FIG. 3

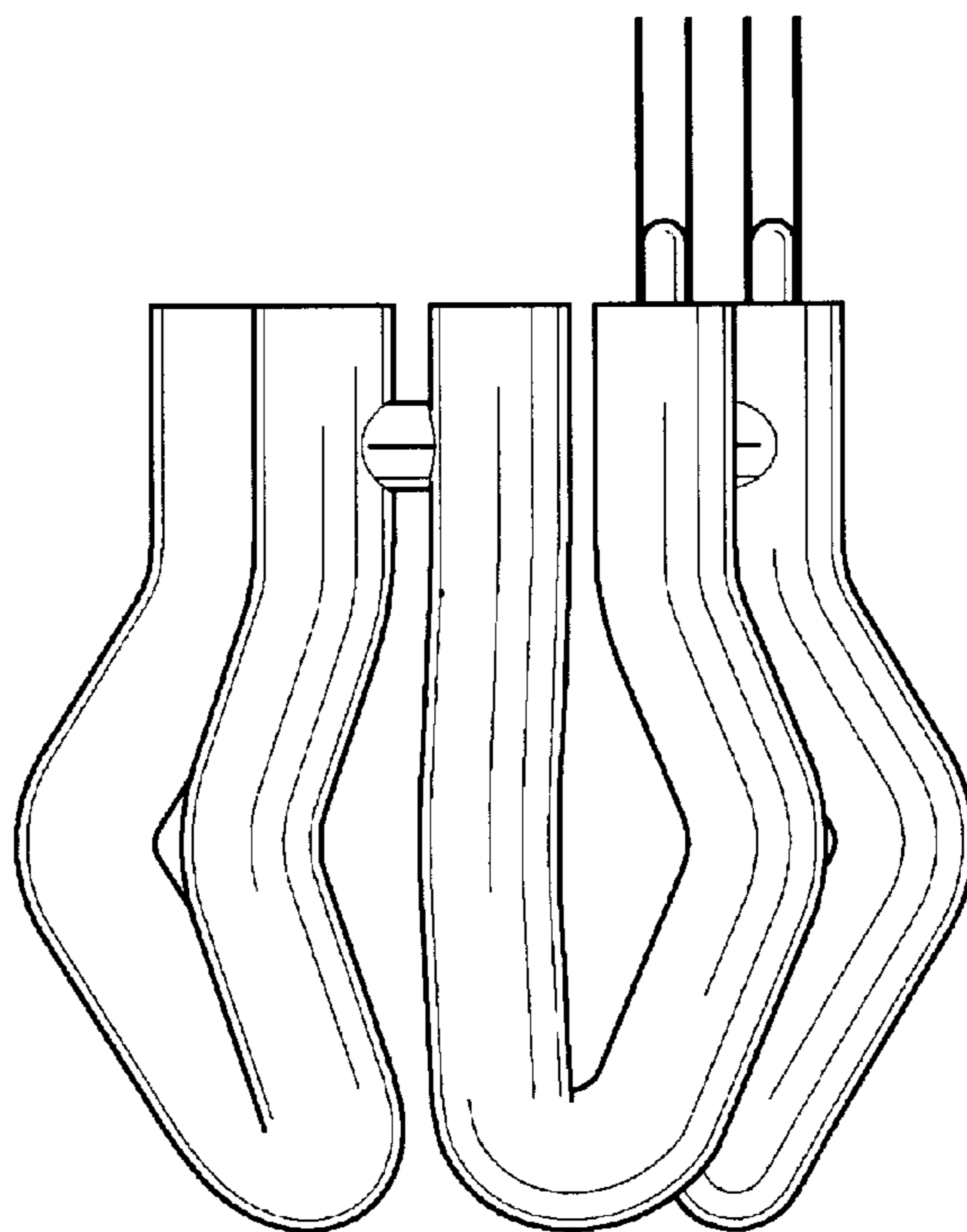


FIG. 4

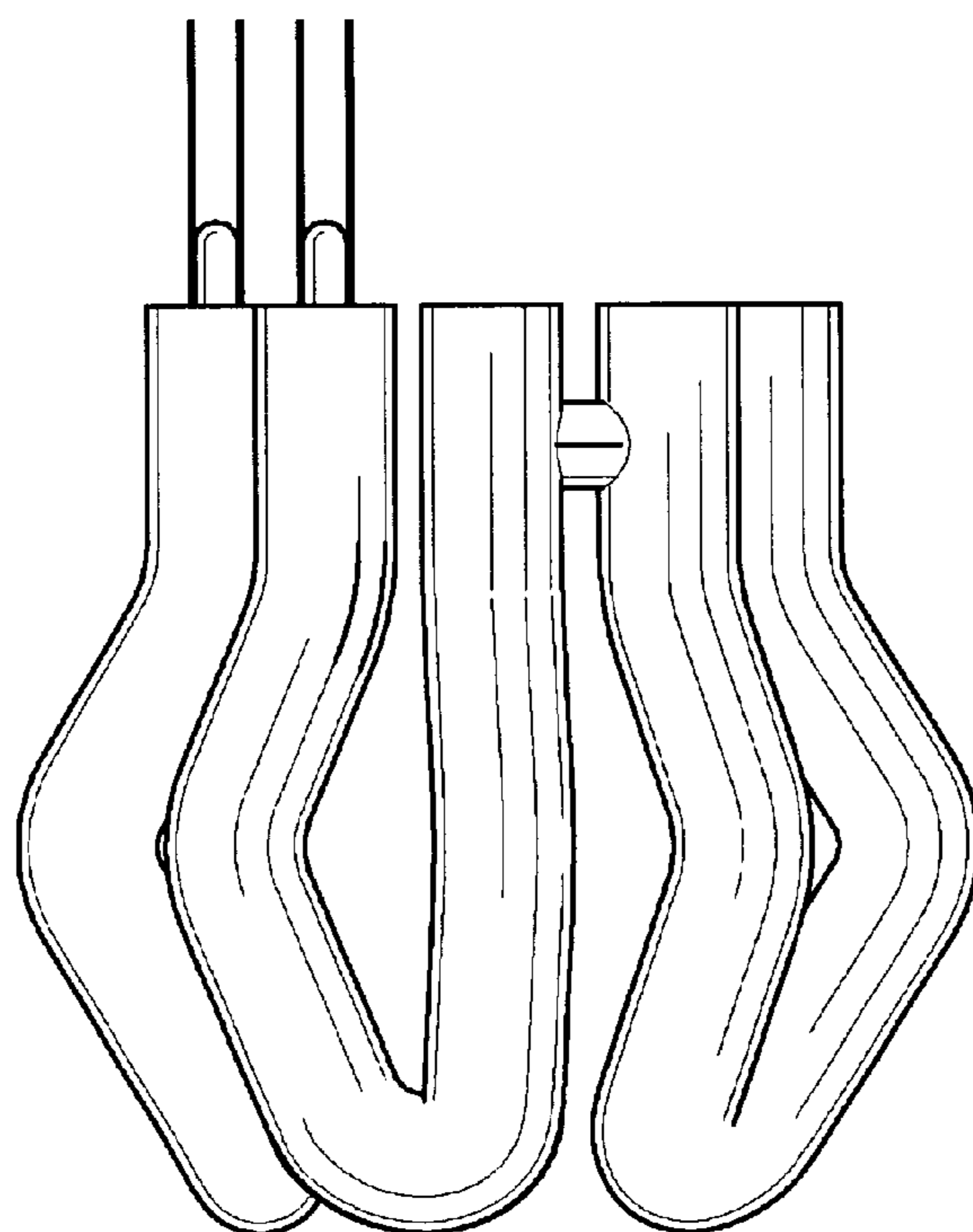


FIG. 5

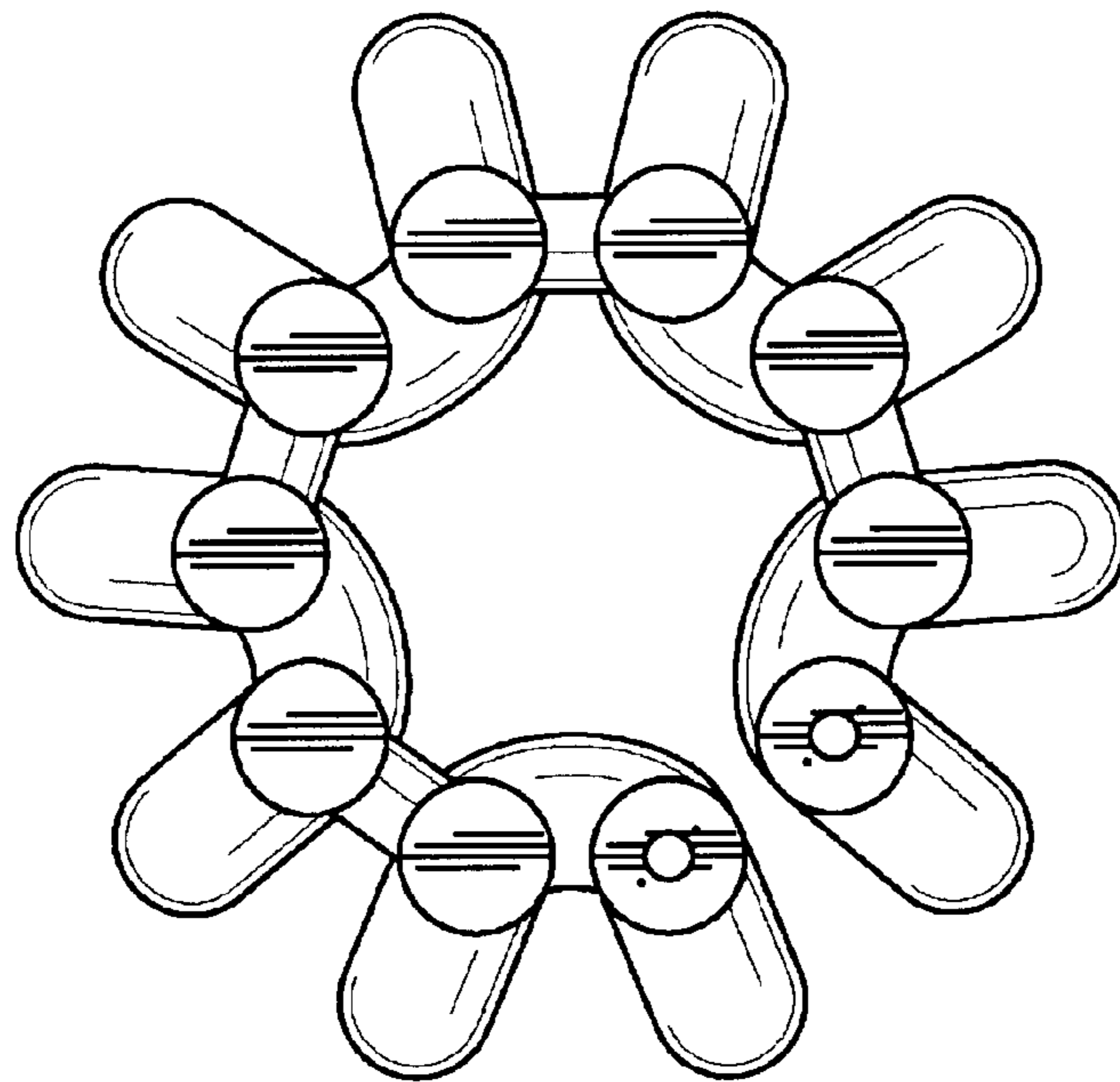


FIG. 6

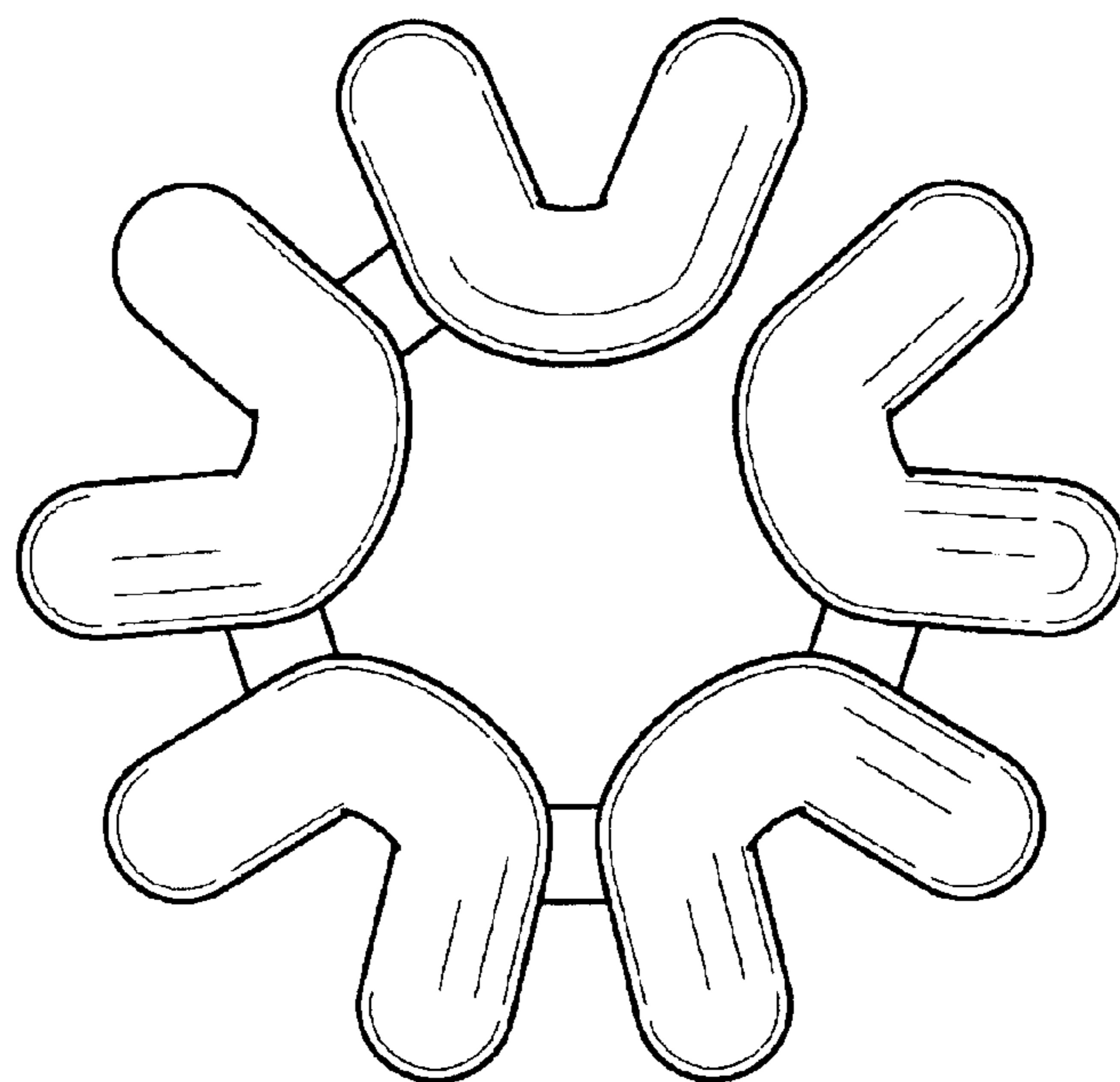


FIG. 7