



US00D537174S

(12) **United States Design Patent**  
**Osawa et al.**

(10) **Patent No.:** **US D537,174 S**  
(45) **Date of Patent:** **\*\* Feb. 20, 2007**

(54) **LIGHT EMITTING DIODE LAMP**

D504,732 S \* 5/2005 Yang ..... D26/2

(75) Inventors: **Shigeru Osawa**, Tokyo (JP); **Kazuo Egawa**, Tokyo (JP)

FOREIGN PATENT DOCUMENTS

JP 45-28588 3/1974

(73) Assignee: **Toshiba Lighting & Technology Corporation**, Tokyo (JP)

\* cited by examiner

(\*\*) Term: **14 Years**

*Primary Examiner*—Marcus A. Jackson  
(74) *Attorney, Agent, or Firm*—J.C. Patents

(21) Appl. No.: **29/252,055**

(57) **CLAIM**

(22) Filed: **Jan. 17, 2006**

The ornamental design for a light emitting diode lamp, as shown and described.

(51) **LOC (8) Cl.** ..... **26-04**

(52) **U.S. Cl.** ..... **D26/2**

(58) **Field of Classification Search** ..... D26/1-4;  
313/313, 315, 317, 318, 493; 315/52, 53,  
315/56, 57, 58

See application file for complete search history.

**DESCRIPTION**

FIG. 1 is a perspective view of a light emitting diode lamp showing my new design.

FIG. 2 is a front view thereof.

FIG. 3 is a rear view thereof.

FIG. 4 is a left side view thereof.

FIG. 5 is a right side view thereof.

FIG. 6 is a top plan view thereof.

FIG. 7 is a bottom plan view thereof; and,

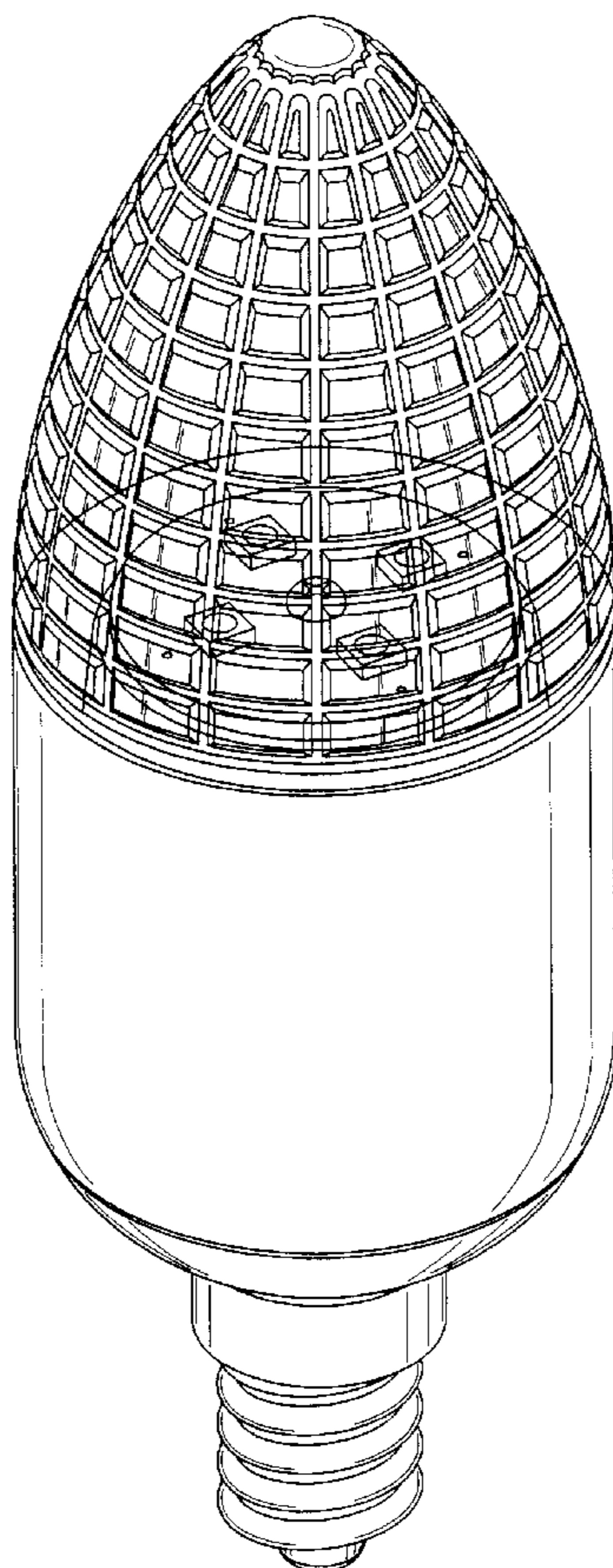
FIG. 8 is a cross-sectional view taken along line 8—8 in FIG. 2 with the internal parts omitted.

(56) **References Cited**

U.S. PATENT DOCUMENTS

D425,217 S	5/2000	Oetken et al.	.....	D26/2
D437,645 S	* 2/2001	Sung et al.	.....	D26/2
D469,548 S	* 1/2003	Bobel	.....	D26/2
D471,293 S	* 3/2003	Bobel	.....	D26/2
D487,596 S	* 3/2004	Callahan	.....	D26/2

**1 Claim, 7 Drawing Sheets**



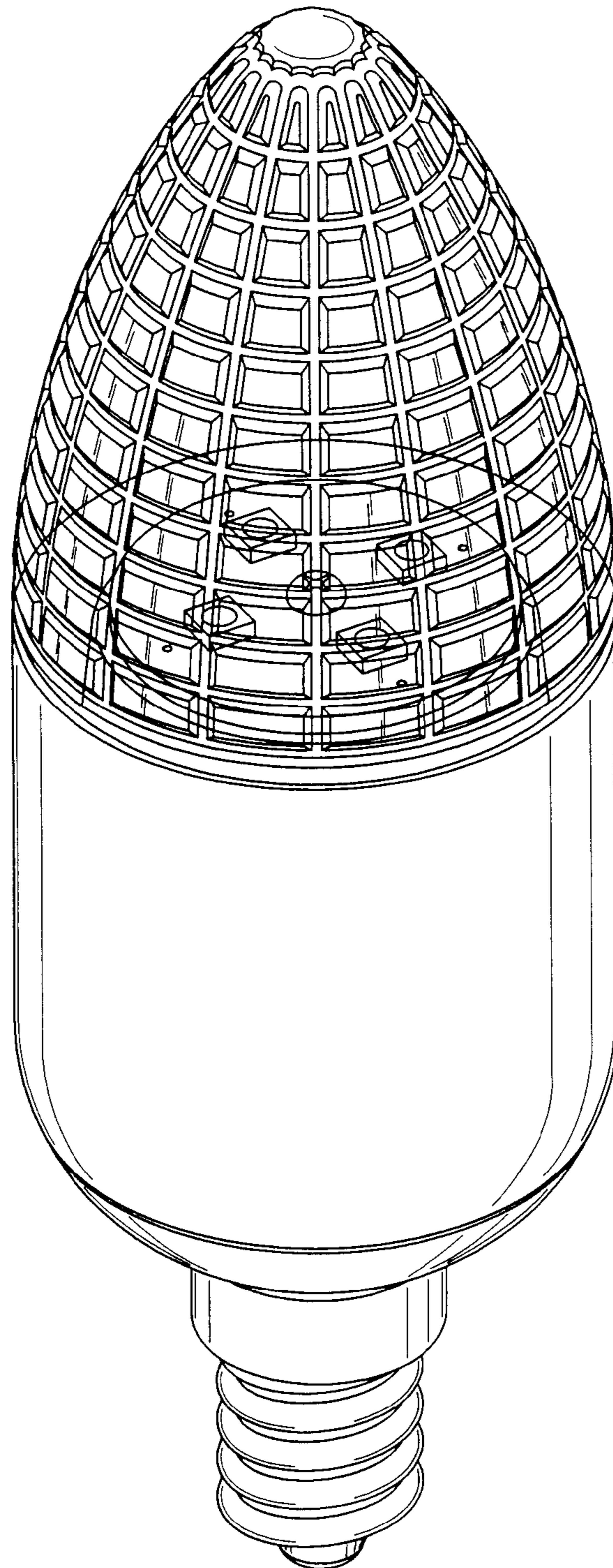


FIG. 1

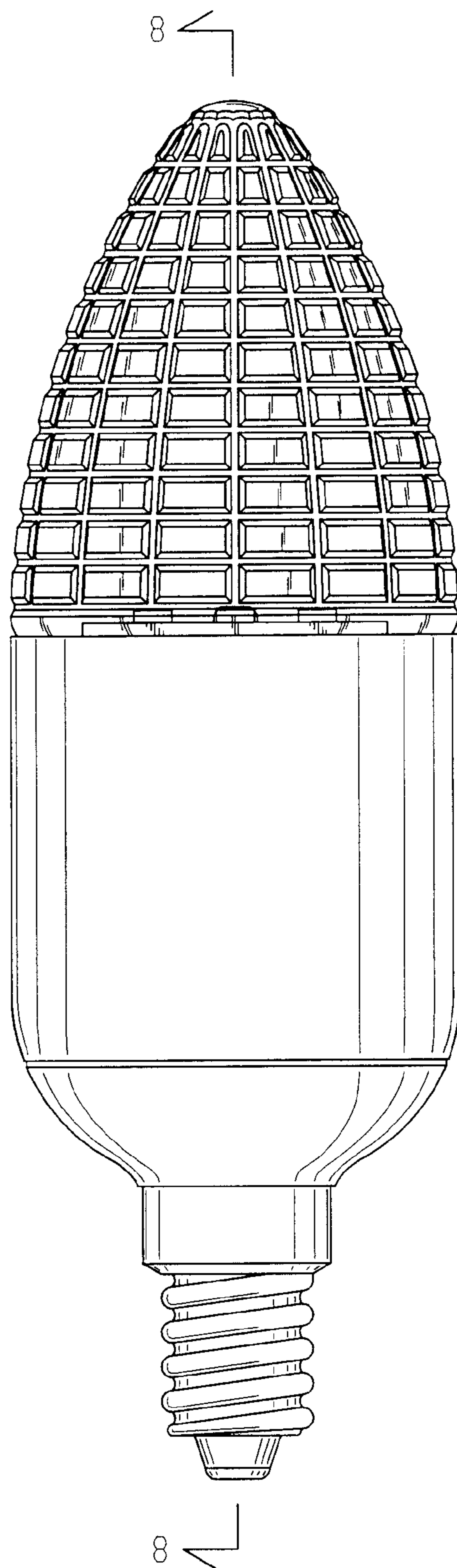


FIG. 2

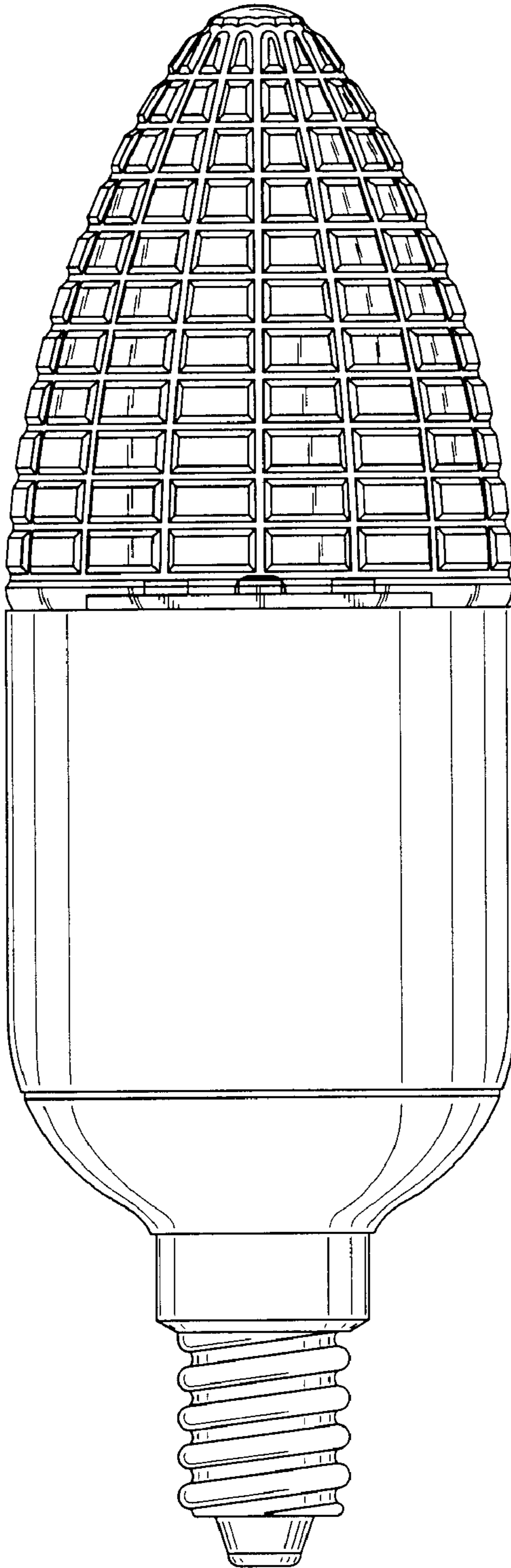


FIG. 3

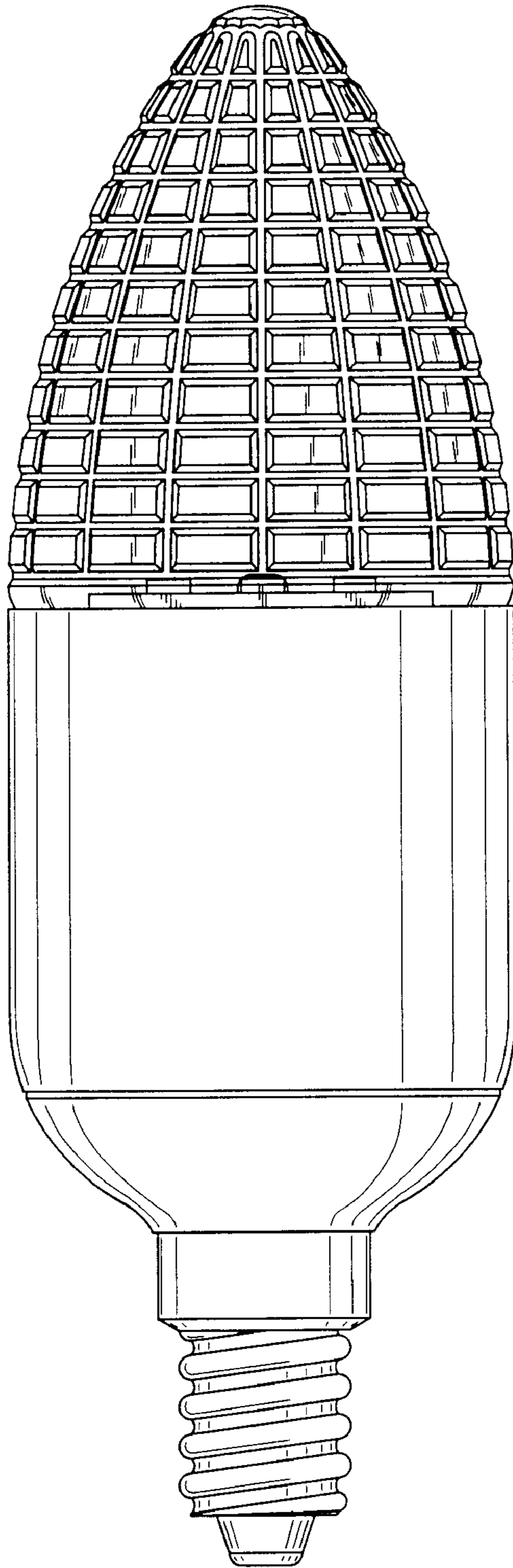


FIG. 4

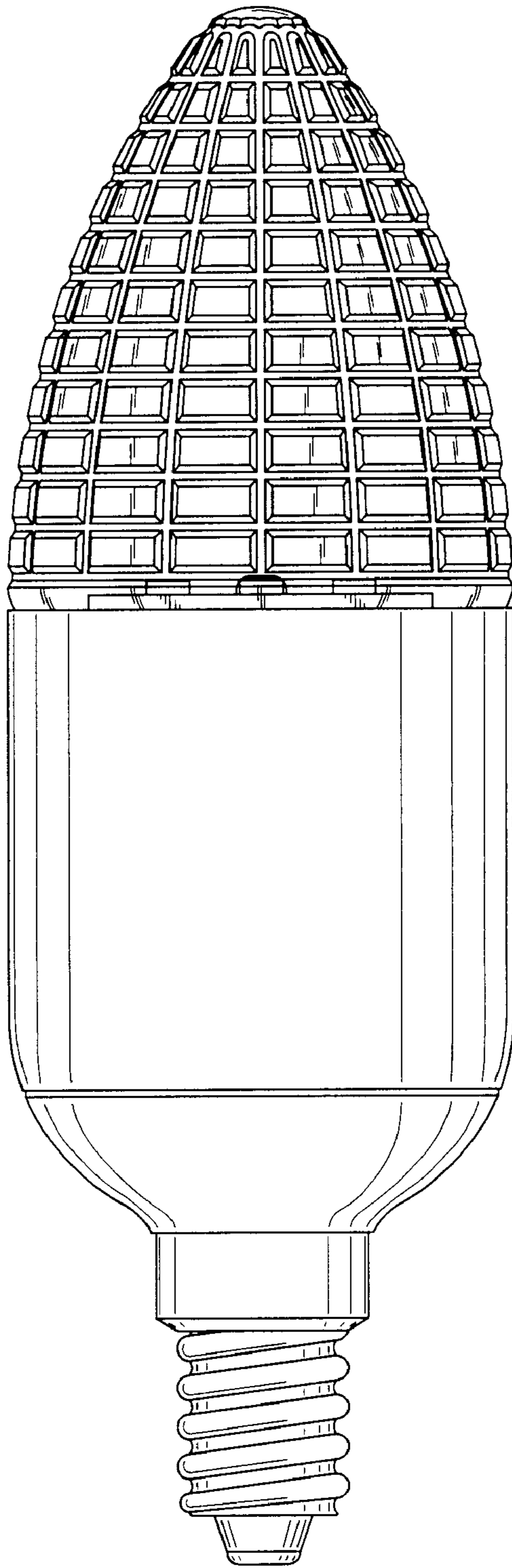


FIG. 5

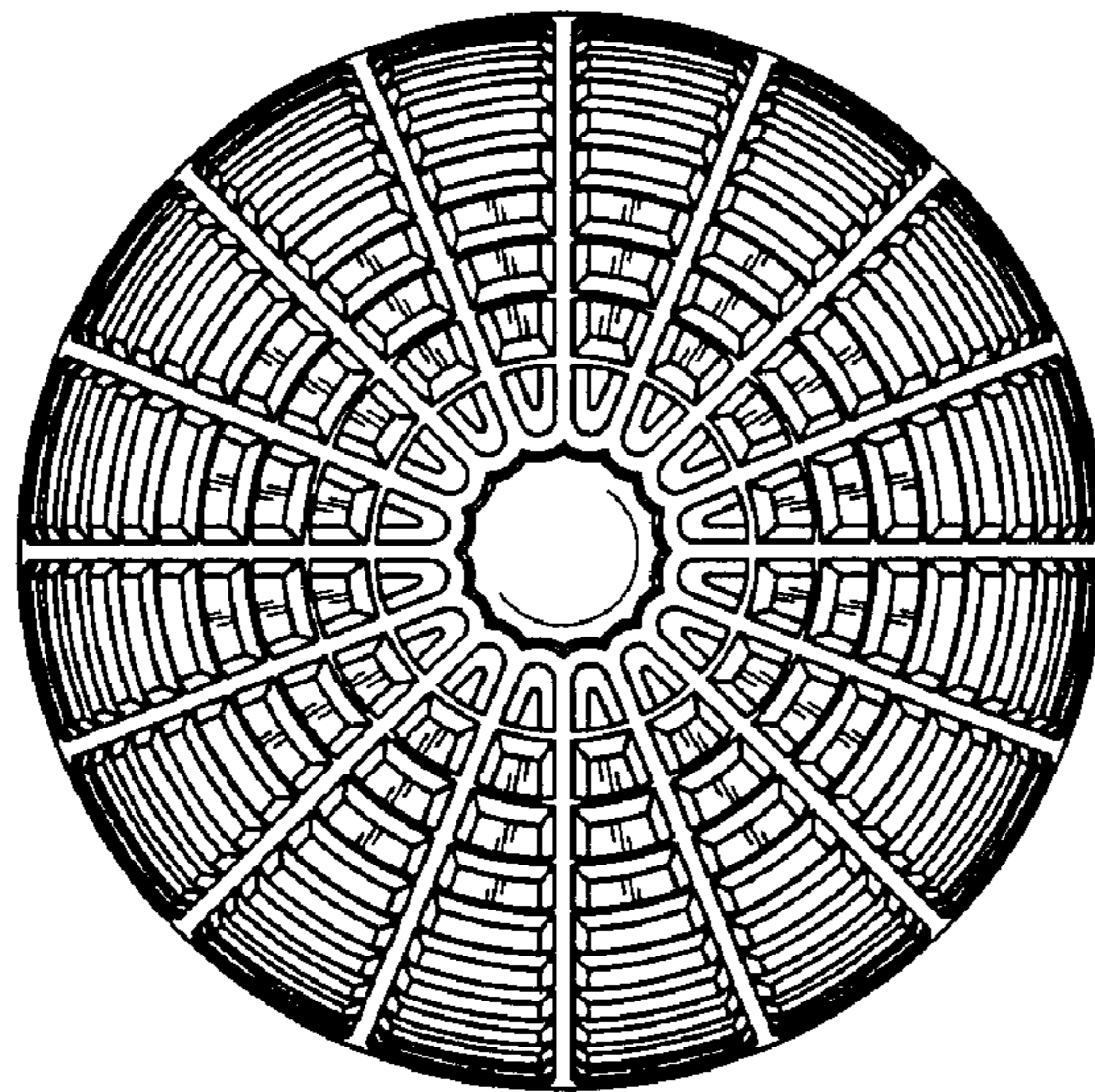


FIG. 6

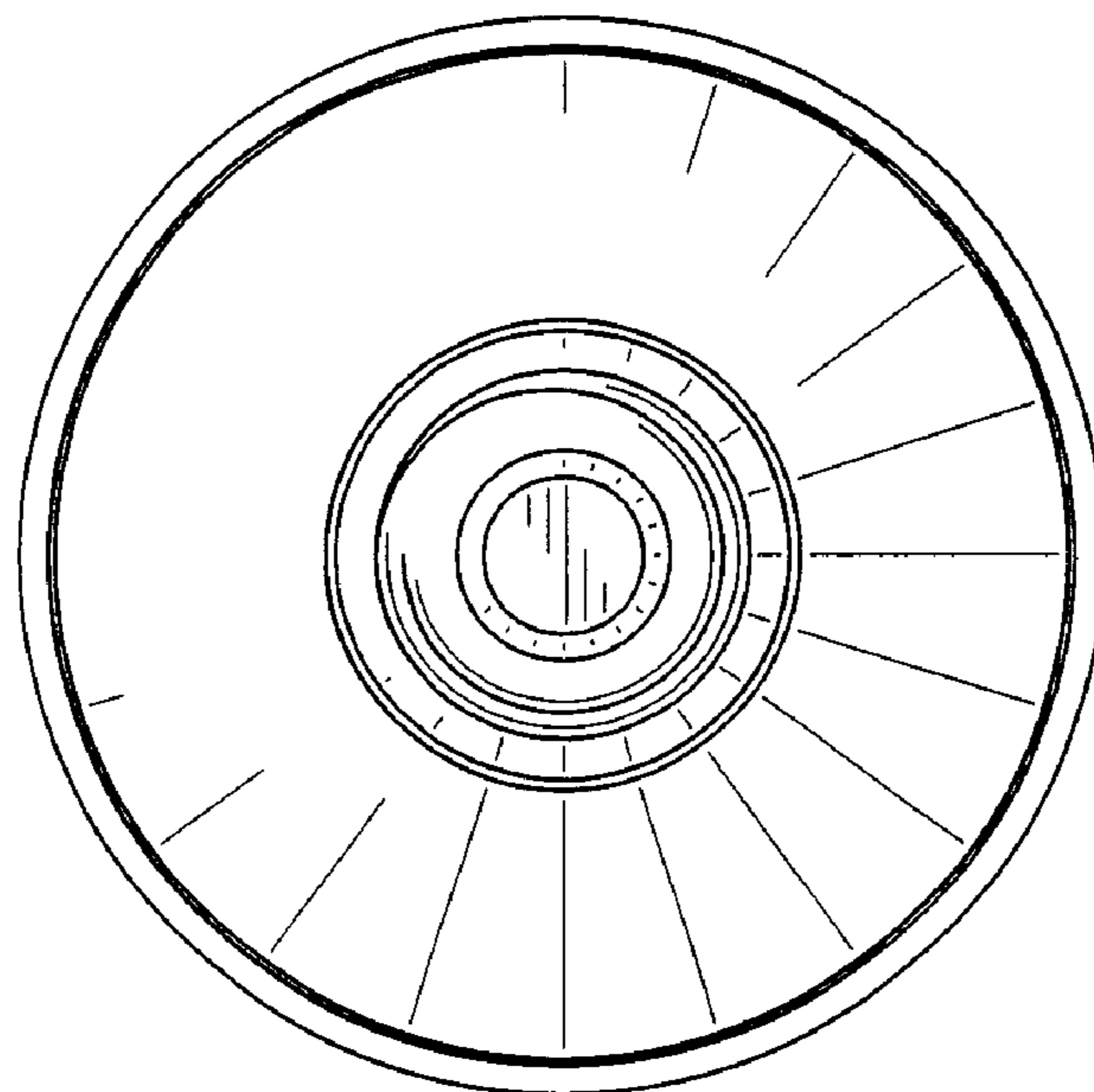


FIG. 7

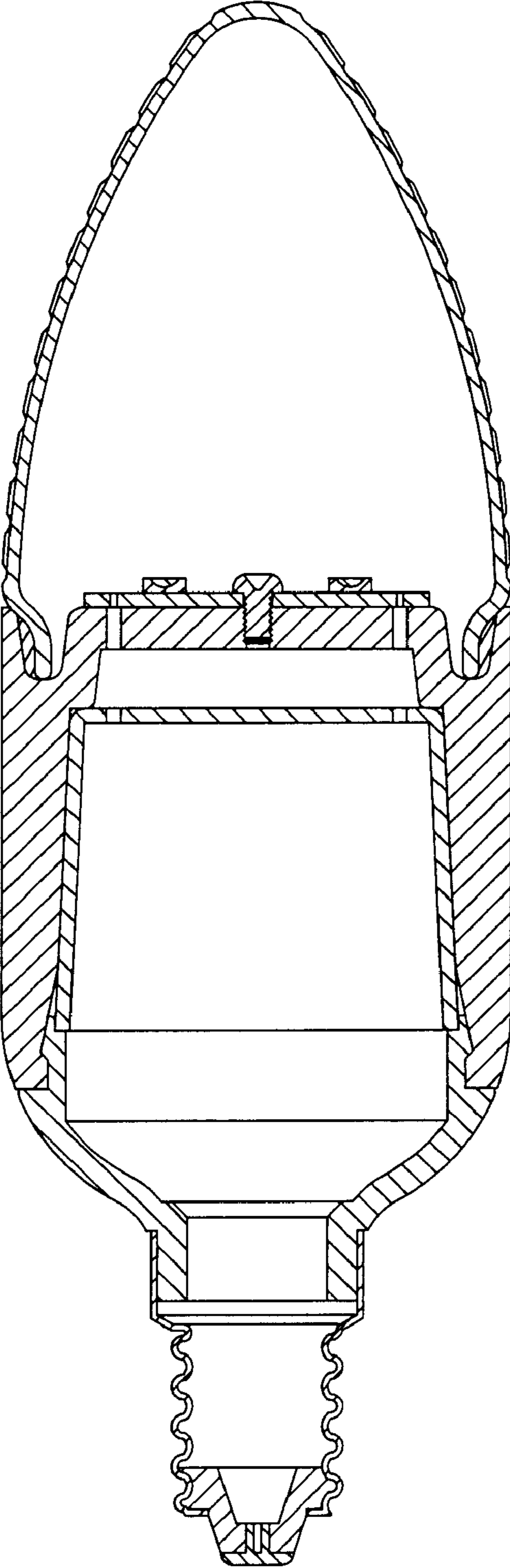


FIG. 8