



US00D537172S

(12) **United States Design Patent**  
**Fannan**

(10) **Patent No.:** **US D537,172 S**

(45) **Date of Patent:** **\*\* Feb. 20, 2007**

(54) **WINDOW COMPONENT EXTRUSION**

(75) Inventor: **Michael R. Fannan**, Pecatonica, IL  
(US)

(73) Assignee: **Mikron Industries, Inc.**, Kent, WA  
(US)

(\*\*) Term: **14 Years**

(21) Appl. No.: **29/238,955**

(22) Filed: **Sep. 23, 2005**

(51) **LOC (8) Cl.** ..... **25-01**

(52) **U.S. Cl.** ..... **D25/124**

(58) **Field of Classification Search** ..... D25/119,  
D25/124, 125; 52/204.1, 204.2, 204.5, 204.51,  
52/656.5, 656.6, 213, 215, 204.71, 204.55,  
52/204.593, 204.595, 730.3, 208; 49/DIG. 2,  
49/504

See application file for complete search history.

(56) **References Cited**

**U.S. PATENT DOCUMENTS**

5,572,839 A \* 11/1996 Kinsey ..... 52/204.51  
D379,239 S 5/1997 Goss

D384,755 S \* 10/1997 Jarrell ..... D25/124  
D432,681 S \* 10/2000 Habeck et al. .... D25/124  
D469,888 S \* 2/2003 Goss ..... D25/124  
D493,543 S \* 7/2004 Lockbeam ..... D25/124

\* cited by examiner

*Primary Examiner*—Doris Clark

(74) *Attorney, Agent, or Firm*—Black Lowe & Graham  
PLLC

(57) **CLAIM**

The ornamental design for a window component extrusion,  
as shown and described.

**DESCRIPTION**

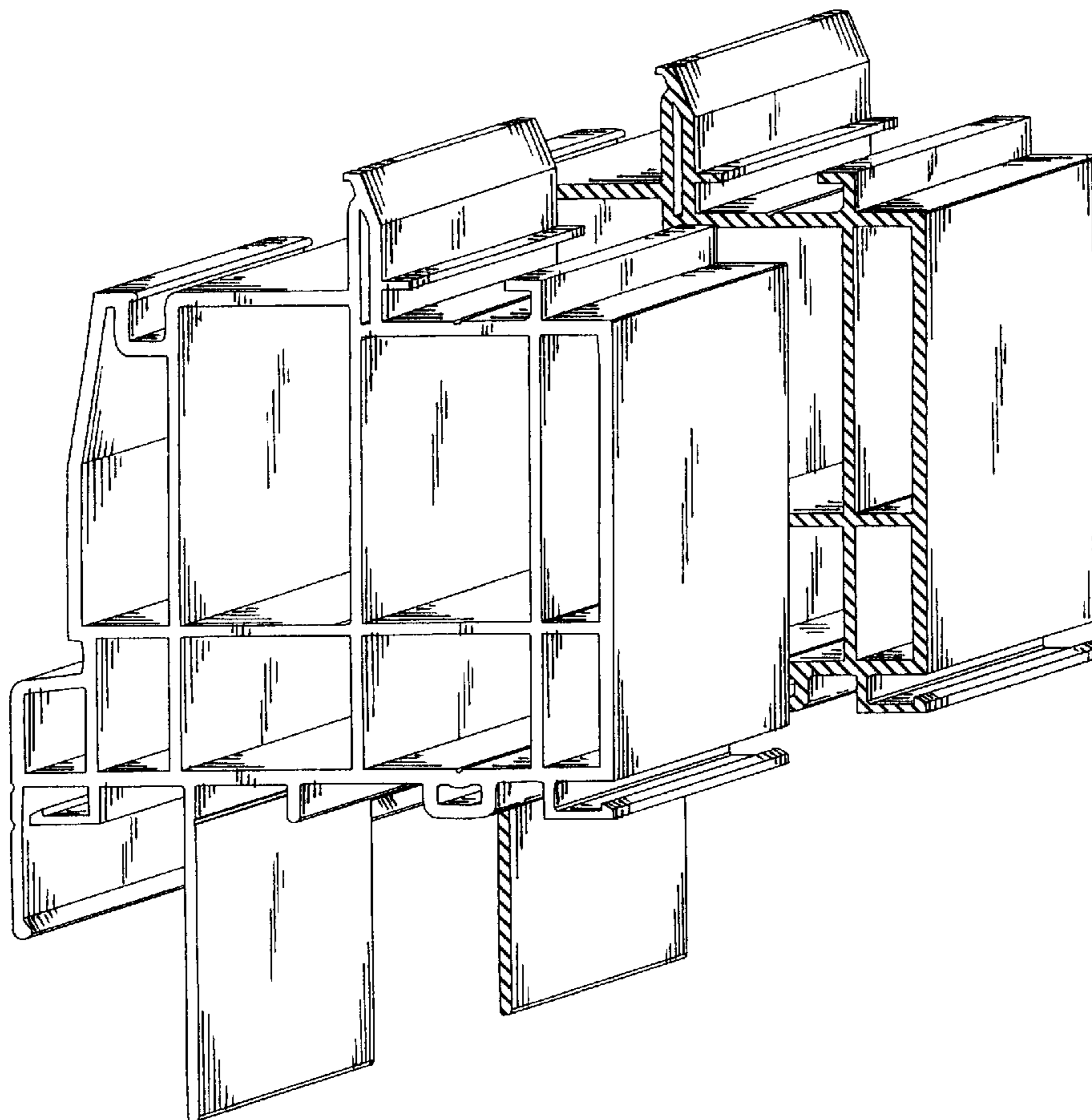
FIG. 1 is a top right isometric perspective view of the  
window component extrusion which is broken in the center  
indicating indefinite length.

FIG. 2 is a bottom left isometric perspective view of the  
window component extrusion shown in FIG. 1.

FIG. 3 is a top right isometric perspective view of the  
window component extrusion which is broken in the center  
indicating indefinite length; and,

FIG. 4 is a bottom left isometric perspective view of the  
window component extrusion shown in FIG. 1.

**1 Claim, 4 Drawing Sheets**



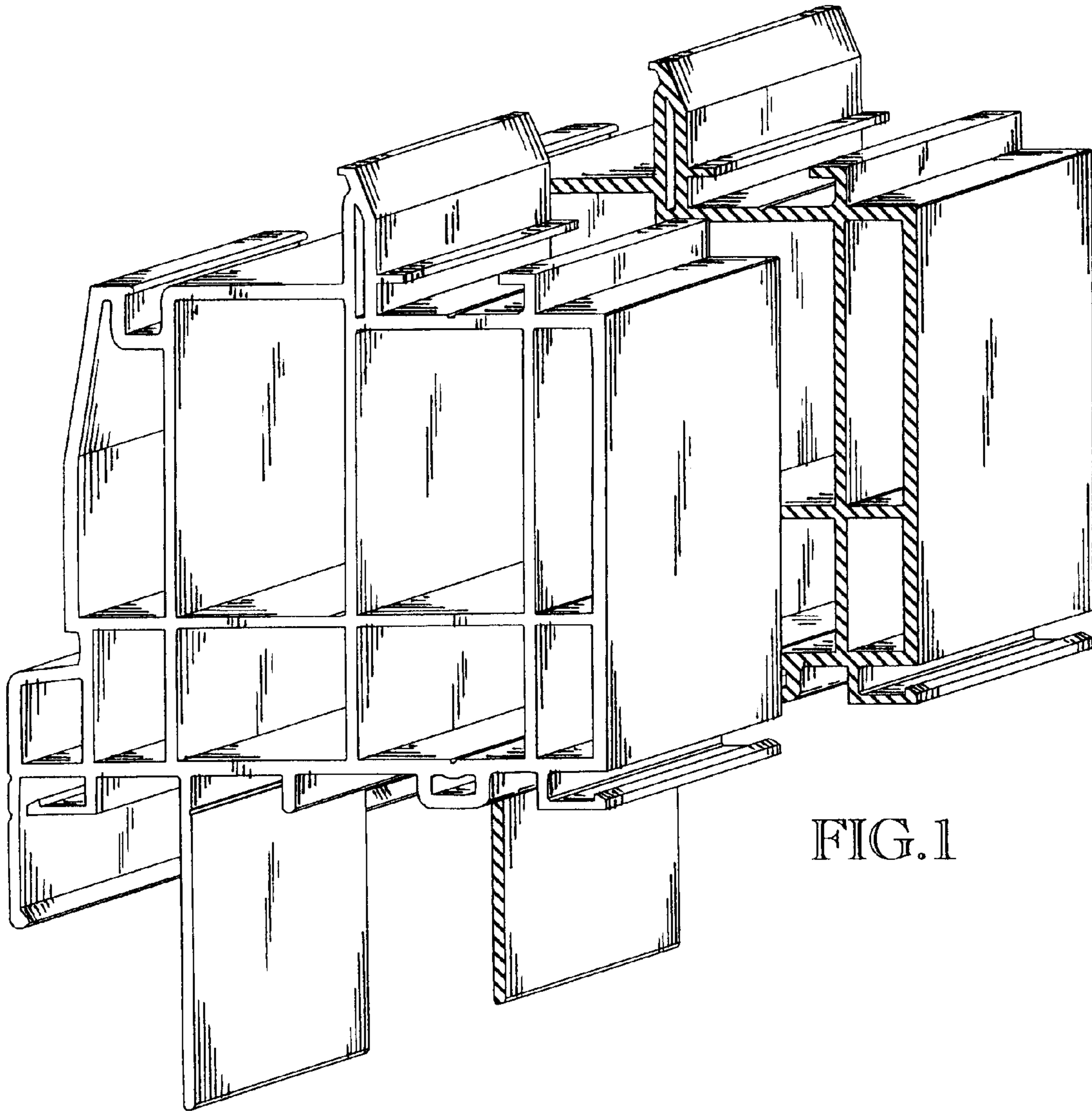


FIG. 1

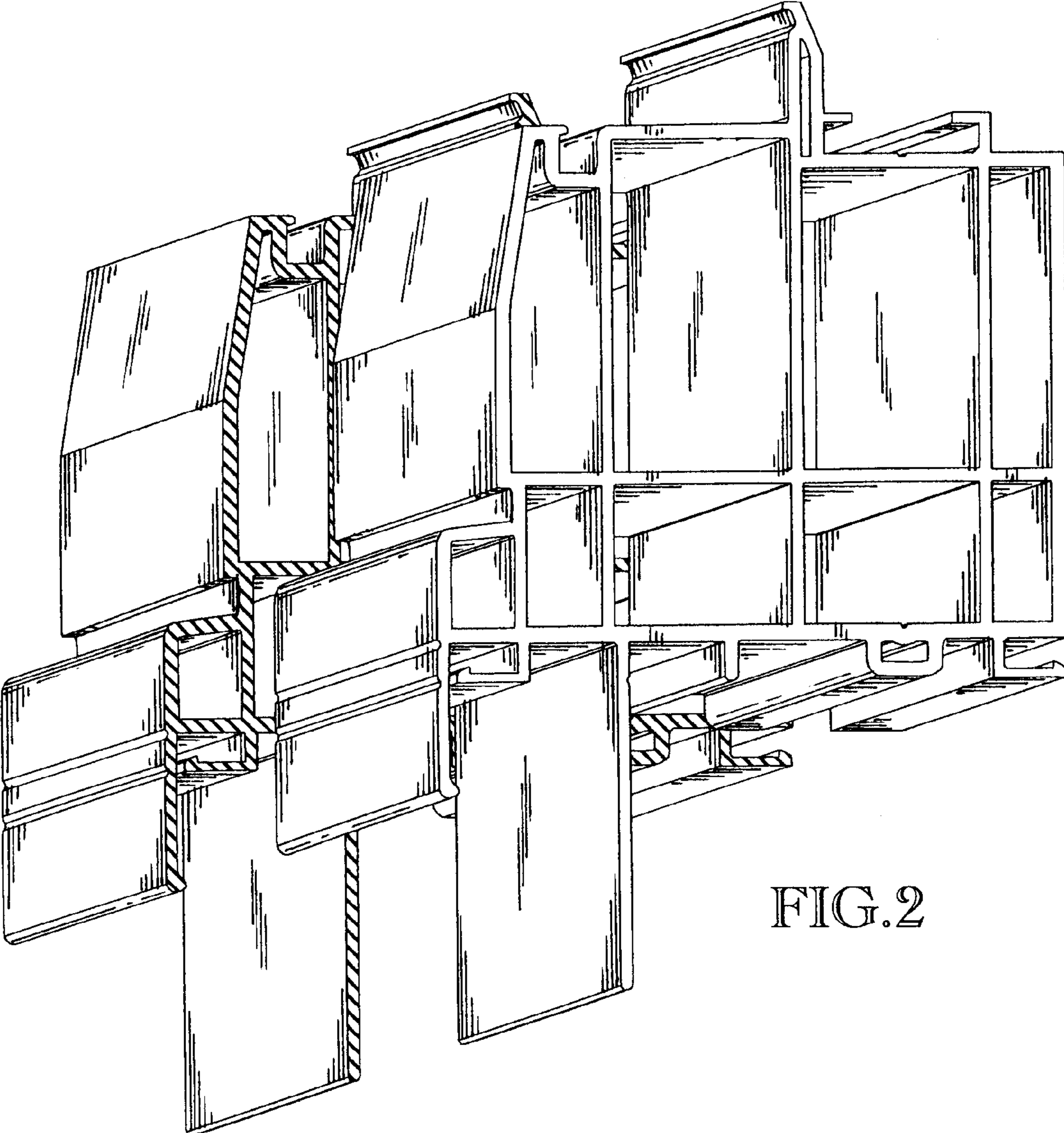


FIG. 2

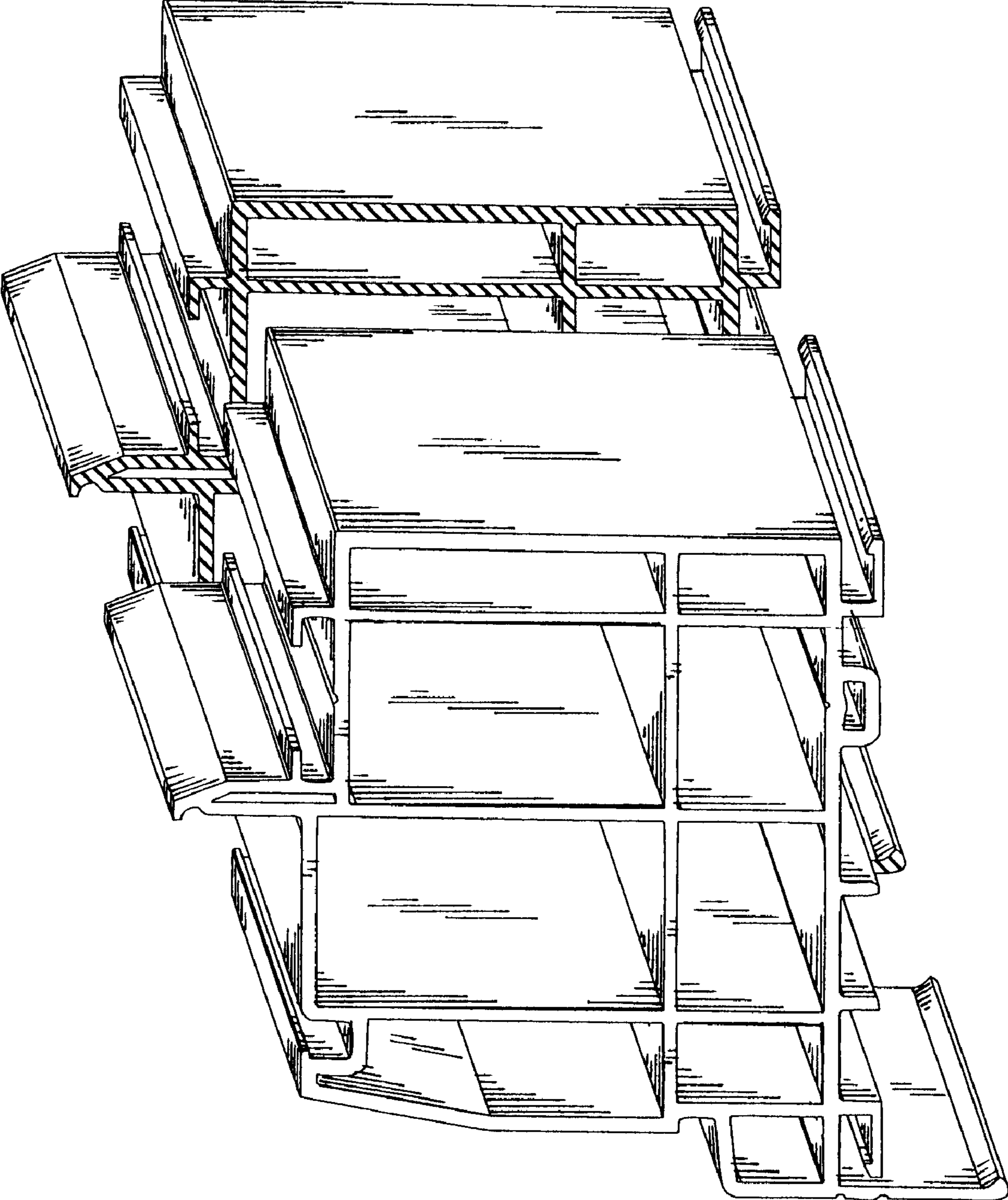


FIG. 3

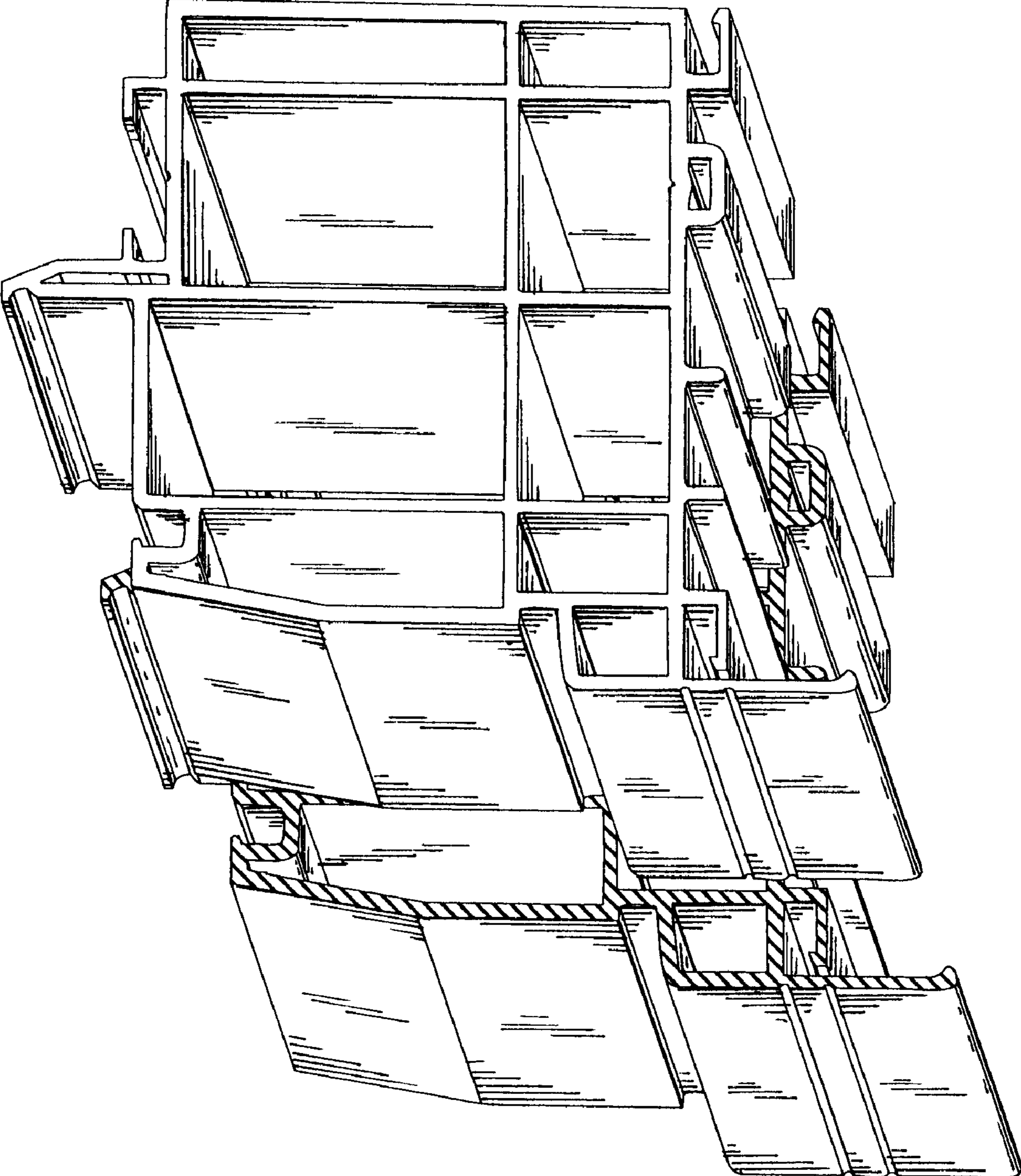


FIG. 4