



US00D537163S

(12) **United States Design Patent**
Nakamura

(10) **Patent No.:** **US D537,163 S**

(45) **Date of Patent:** **** Feb. 20, 2007**

- (54) **PROCESSOR FOR ENDOSCOPE**
- (75) Inventor: **Shuhei Nakamura**, Tokyo (JP)
- (73) Assignee: **PENTAX Corporation**, Tokyo (JP)
- (**) Term: **14 Years**
- (21) Appl. No.: **29/234,627**
- (22) Filed: **Jul. 21, 2005**
- (30) **Foreign Application Priority Data**
Feb. 10, 2005 (JP) 2005-003456
- (51) **LOC (8) Cl.** **24-01**
- (52) **U.S. Cl.** **D24/138; D24/107; D24/144;**
D24/186
- (58) **Field of Classification Search** D24/113,
D24/114, 107, 144, 186; 600/144, 170, 186,
600/178, 160, 179, 137, 138
See application file for complete search history.

- D412,977 S * 8/1999 Hayamizu D24/107
- 6,464,633 B1 * 10/2002 Hosoda et al. 600/178
- D481,123 S * 10/2003 Hayamizu D24/138
- 6,733,441 B2 * 5/2004 Niida et al. 600/178

* cited by examiner

Primary Examiner—Ian Simmons

Assistant Examiner—W. Laymon

(74) *Attorney, Agent, or Firm*—Sughrue Mion, PLLC

(57) **CLAIM**

The ornamental design for a processor for endoscope, as shown and described.

DESCRIPTION

FIG. 1 is a perspective view of the top, front and left side of a processor for endoscope showing my new design; FIG. 2 is a front elevational view thereof; FIG. 3 is a rear elevational view thereof; FIG. 4 is a right side elevational view thereof; FIG. 5 is a left side elevational view thereof; FIG. 6 is a top plan view thereof; and, FIG. 7 is a bottom plan view thereof.

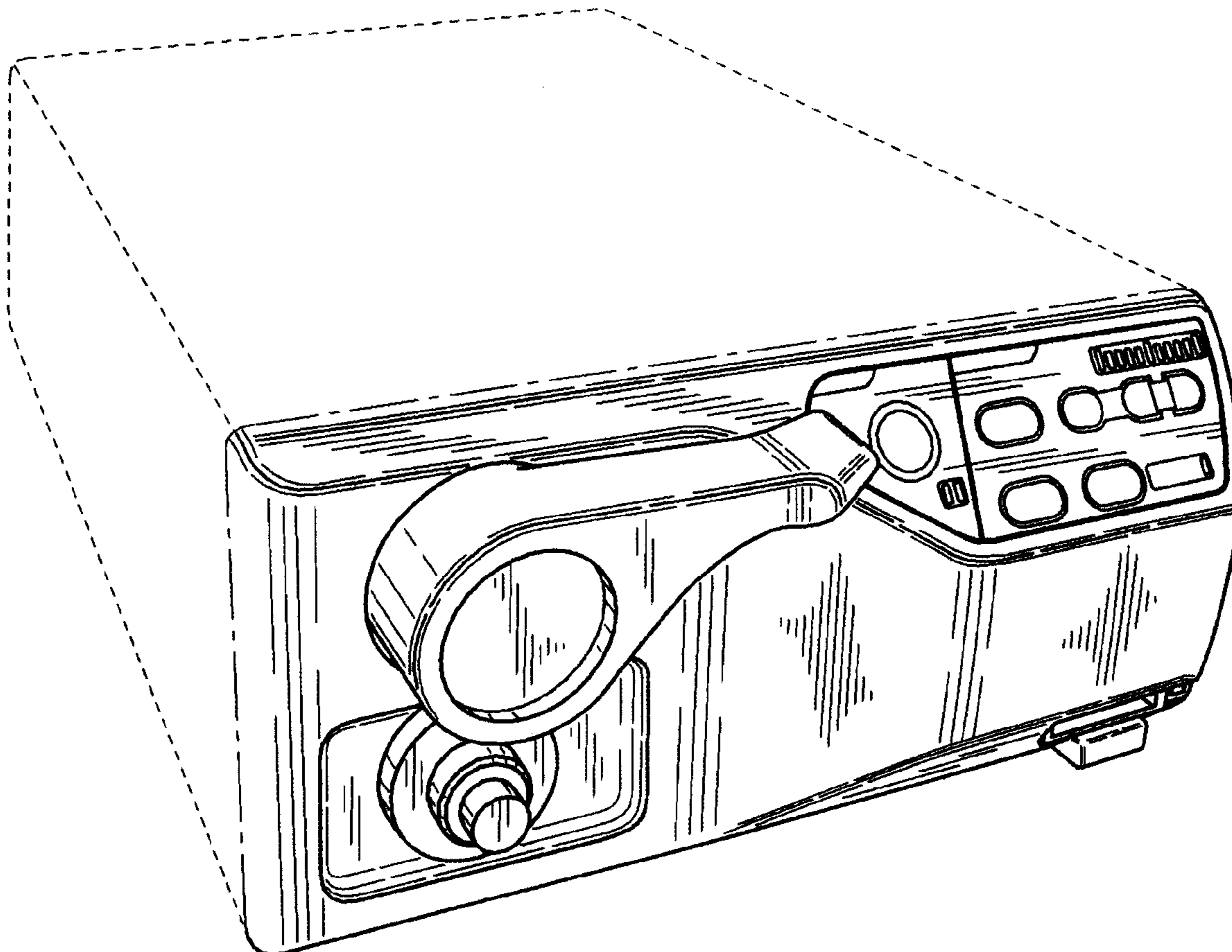
The portions shown in broken lines are for illustrative purposes only and form no part of the claimed design.

(56) **References Cited**

U.S. PATENT DOCUMENTS

- D286,280 S * 10/1986 Holtman et al. D24/107
- D349,340 S * 8/1994 Snoke et al. D24/138

1 Claim, 5 Drawing Sheets



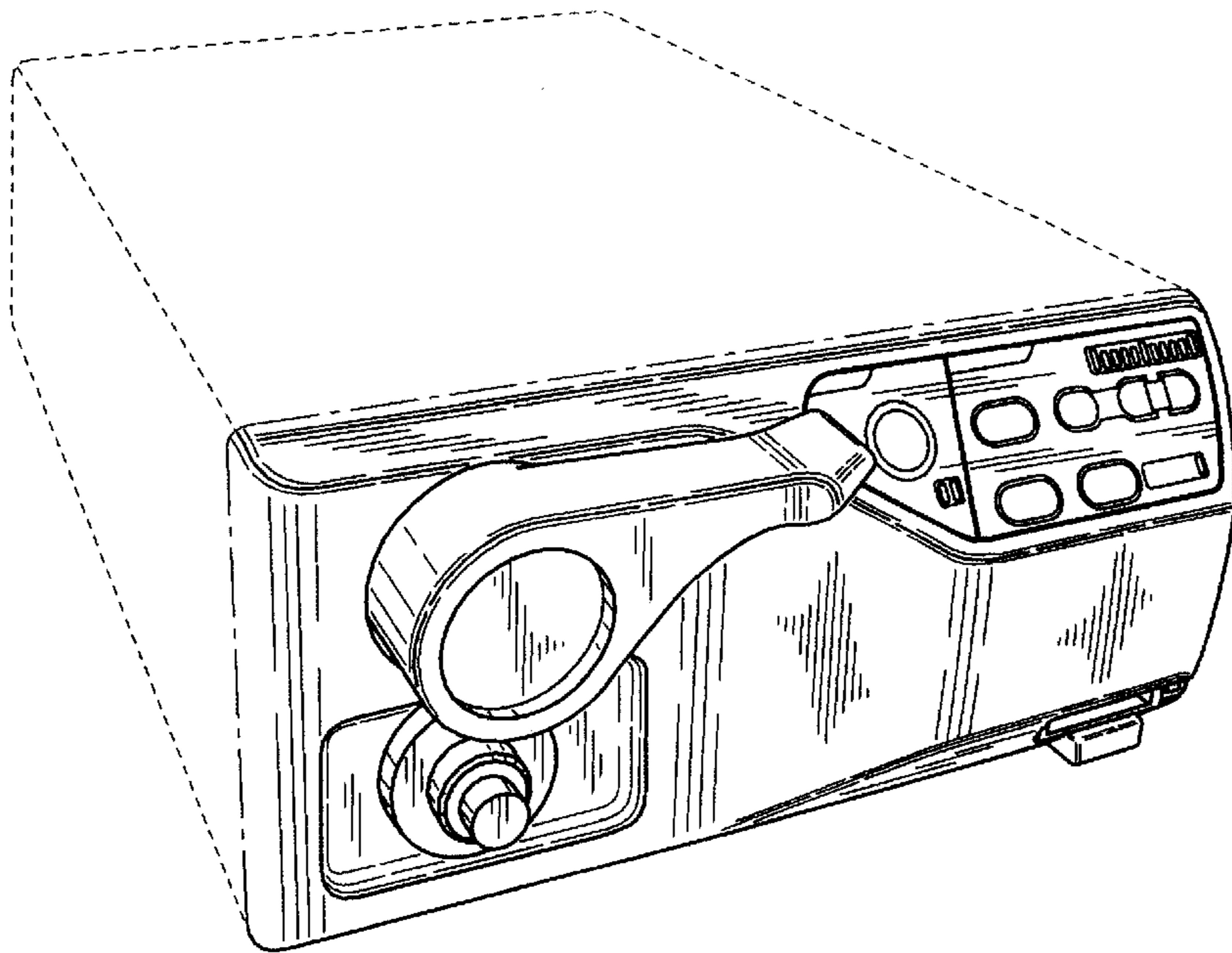


FIG. 1

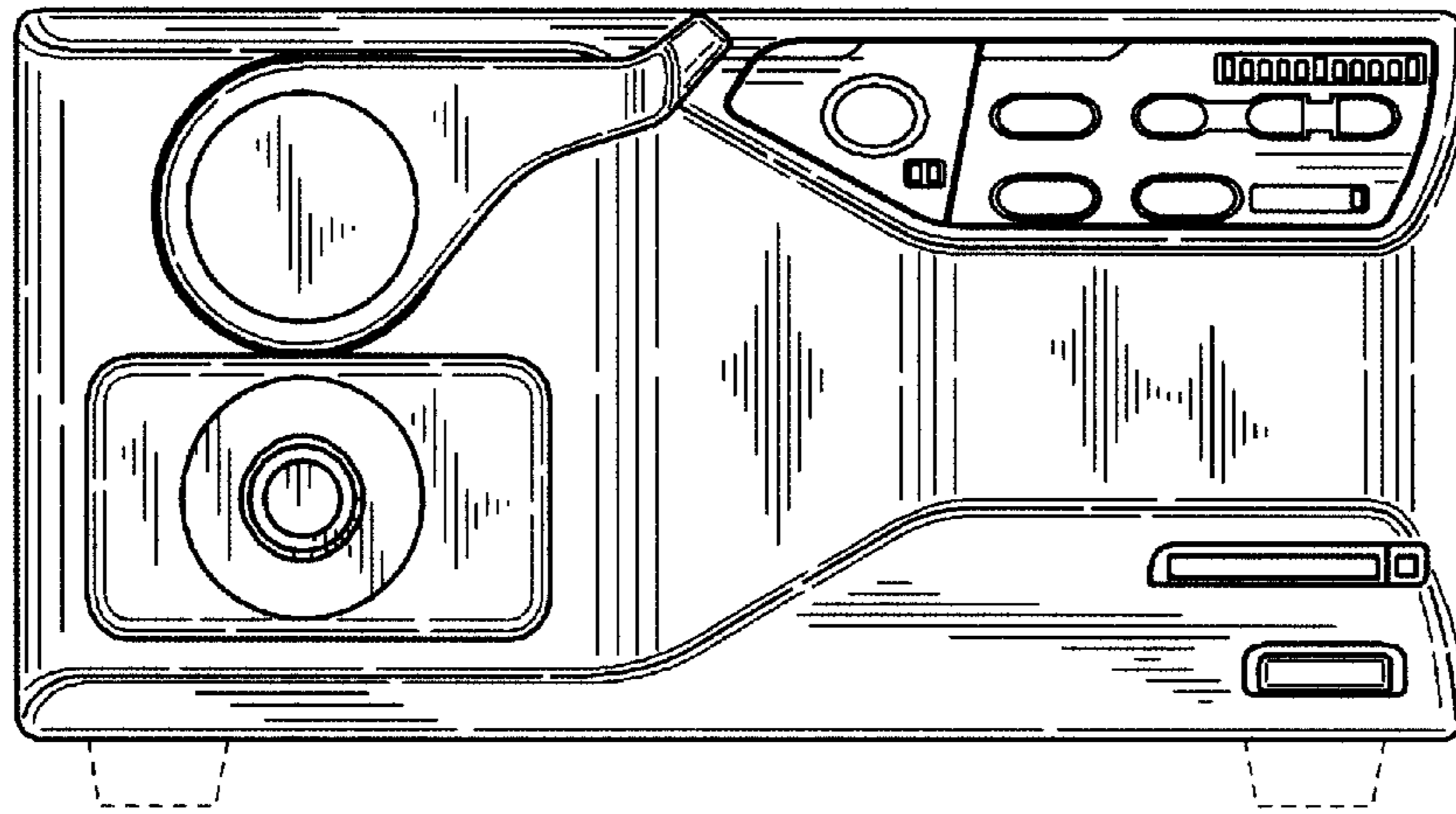


FIG. 2

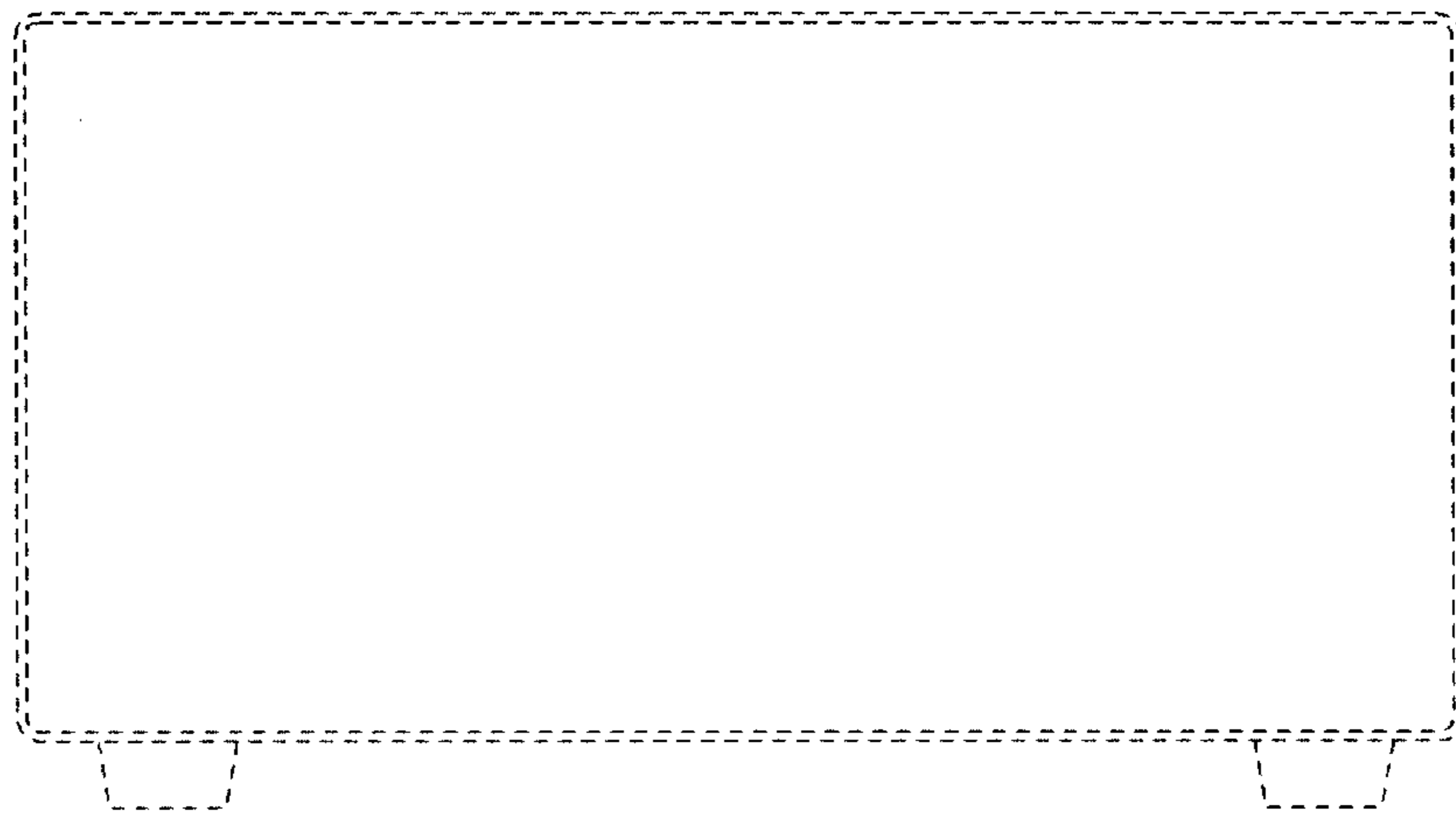


FIG. 3

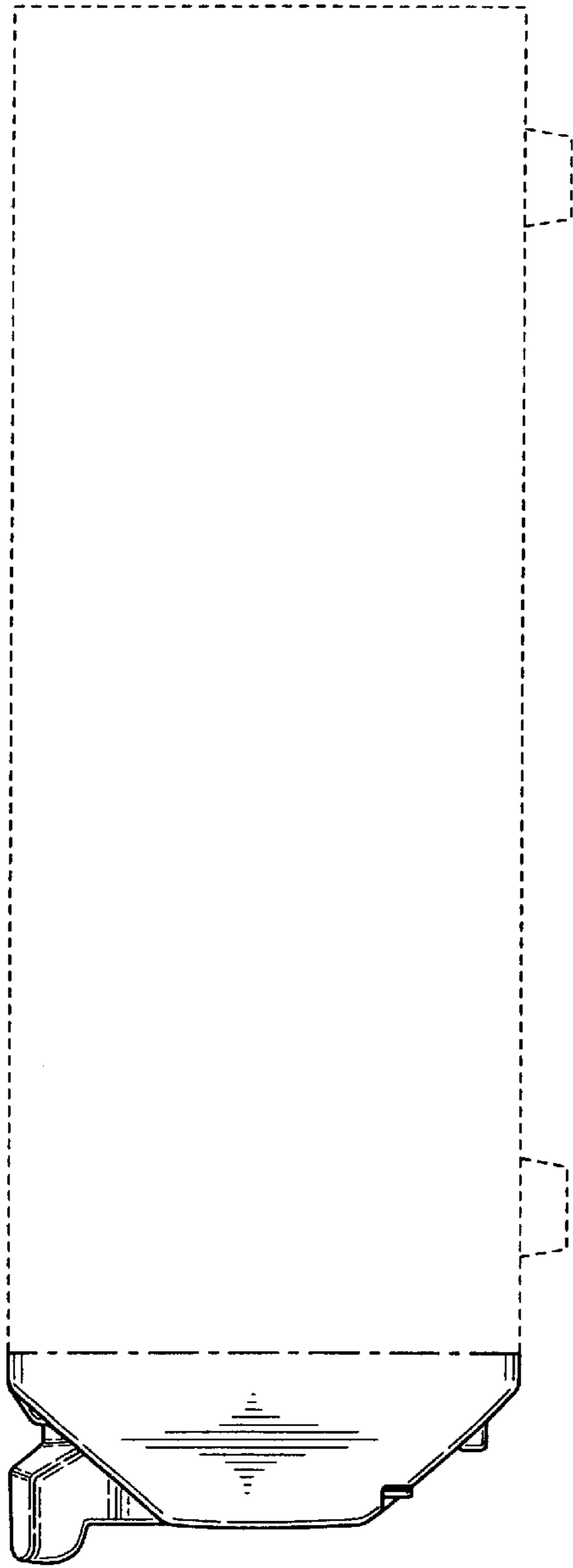


FIG. 4

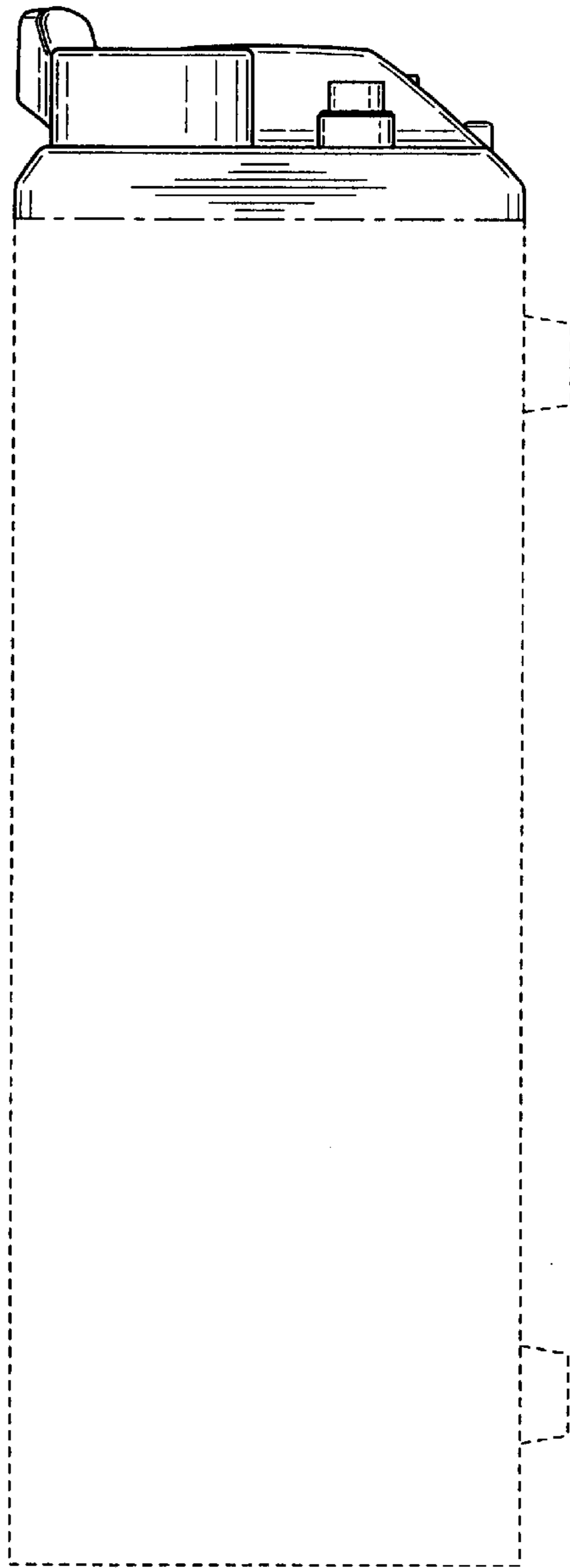


FIG. 5



FIG. 6

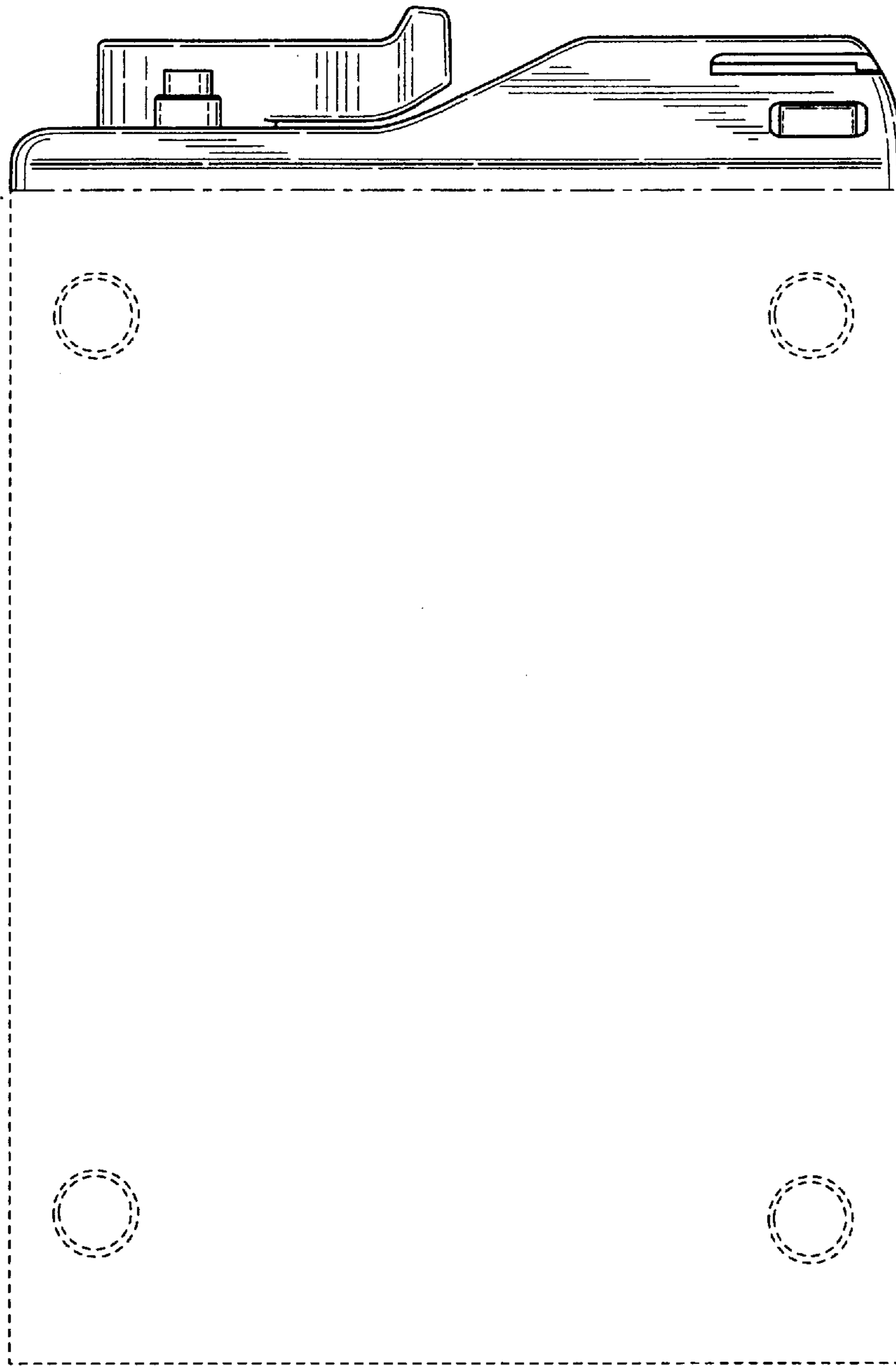


FIG. 7