



US00D537162S

(12) **United States Design Patent** (10) **Patent No.:** **US D537,162 S**  
**Bacher et al.** (45) **Date of Patent:** **\*\* Feb. 20, 2007**

(54) **HANDLE FOR A MEDICAL INSTRUMENT**  
 (75) Inventors: **Uwe Bacher**, Tuttlingen (DE); **Martin Blocher**, Tuttlingen (DE)  
 (73) Assignee: **Karl Storz GmbH & Co. KG** (DE)  
 (\*\*) Term: **14 Years**  
 (21) Appl. No.: **29/218,225**  
 (22) Filed: **Nov. 30, 2004**

(30) **Foreign Application Priority Data**  
 Sep. 23, 2004 (EM) ..... 000230388  
 (51) **LOC (8) Cl.** ..... **24-02**  
 (52) **U.S. Cl.** ..... **D24/133**  
 (58) **Field of Classification Search** ..... D24/133,  
 D24/108, 112, 113, 137, 138, 143, 144; 604/247,  
 604/110, 249, 30, 32, 33, 35; 433/80  
 See application file for complete search history.

(56) **References Cited**  
 U.S. PATENT DOCUMENTS  
 D380,544 S \* 7/1997 Sandock ..... D24/108  
 D391,367 S \* 2/1998 Sandock ..... D24/108  
 D435,102 S \* 12/2000 Chakoff et al. .... D24/113  
 6,991,621 B2 \* 1/2006 Bacher et al. .... 604/247

\* cited by examiner

*Primary Examiner*—Antoine D. Davis  
*Assistant Examiner*—Christopher Lee  
 (74) *Attorney, Agent, or Firm*—St. Onge Steward Johnston & Reens LLC

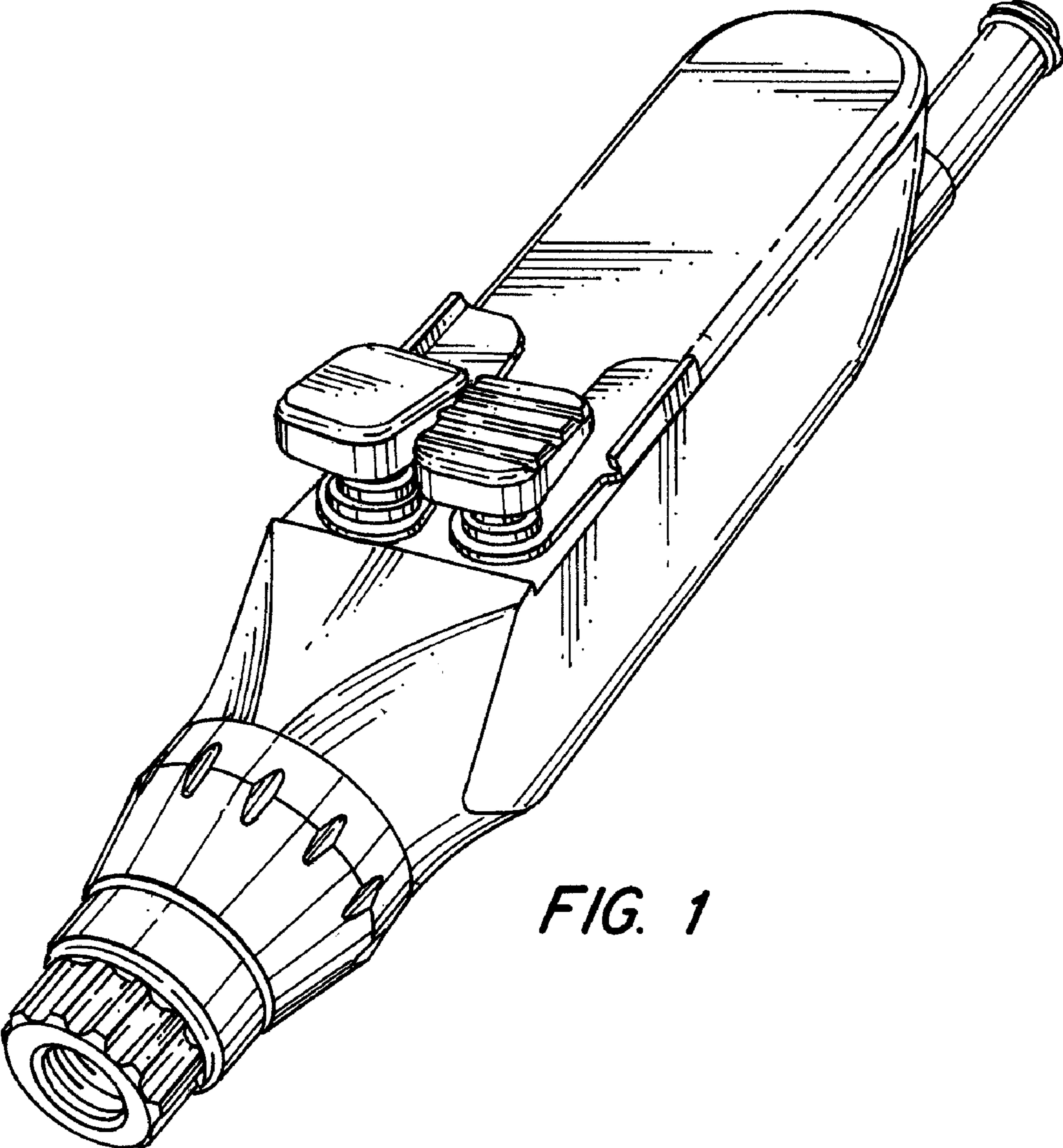
(57) **CLAIM**

The ornamental design for a handle for a medical instrument, as shown and described.

**DESCRIPTION**

FIG. 1 is a front perspective view of a handle for a medical instrument in accordance with the new design;  
 FIG. 2 is a left side elevational view of the handle for a medical instrument of FIG. 1;  
 FIG. 3 is a right side elevational view of the handle for a medical instrument of FIG. 1;  
 FIG. 4 is a top plan view of the handle for a medical instrument of FIG. 1;  
 FIG. 5 is a bottom plan view of the handle for a medical instrument of FIG. 1;  
 FIG. 6 is a rear elevational view of the handle for a medical instrument of FIG. 1; and,  
 FIG. 7 is a front elevational view of the handle for a medical instrument of FIG. 1.

**1 Claim, 7 Drawing Sheets**



**FIG. 1**

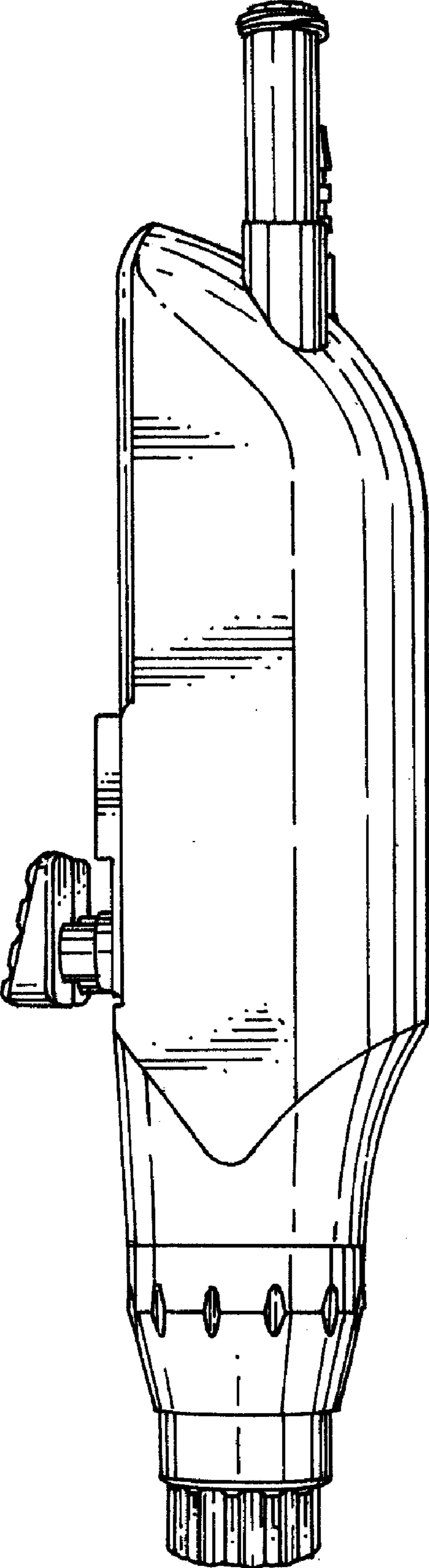
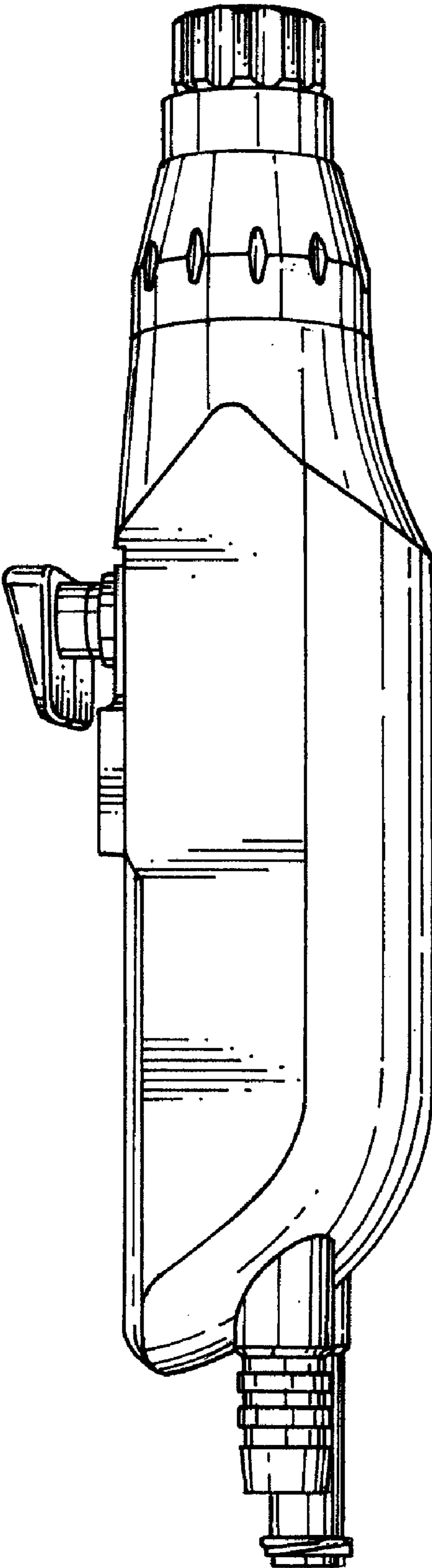
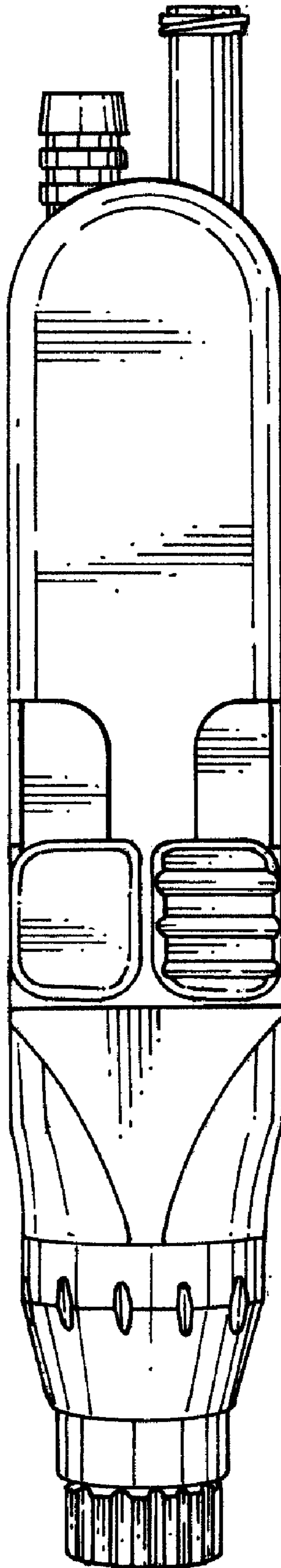


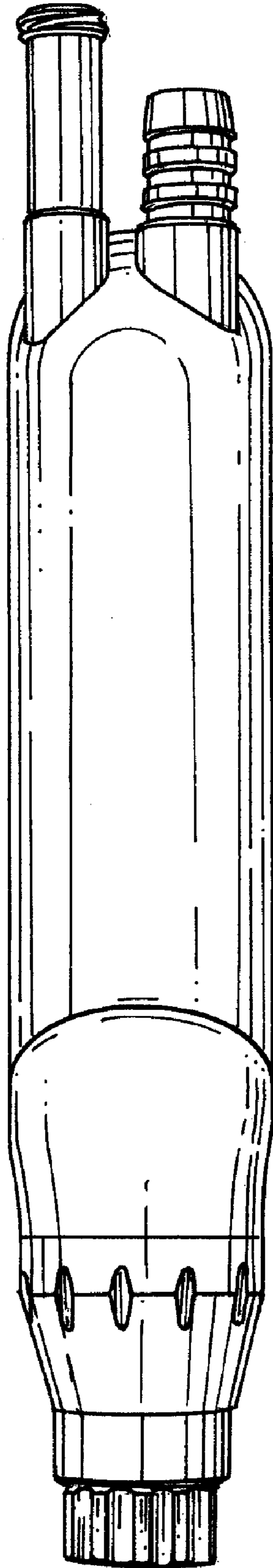
FIG. 2



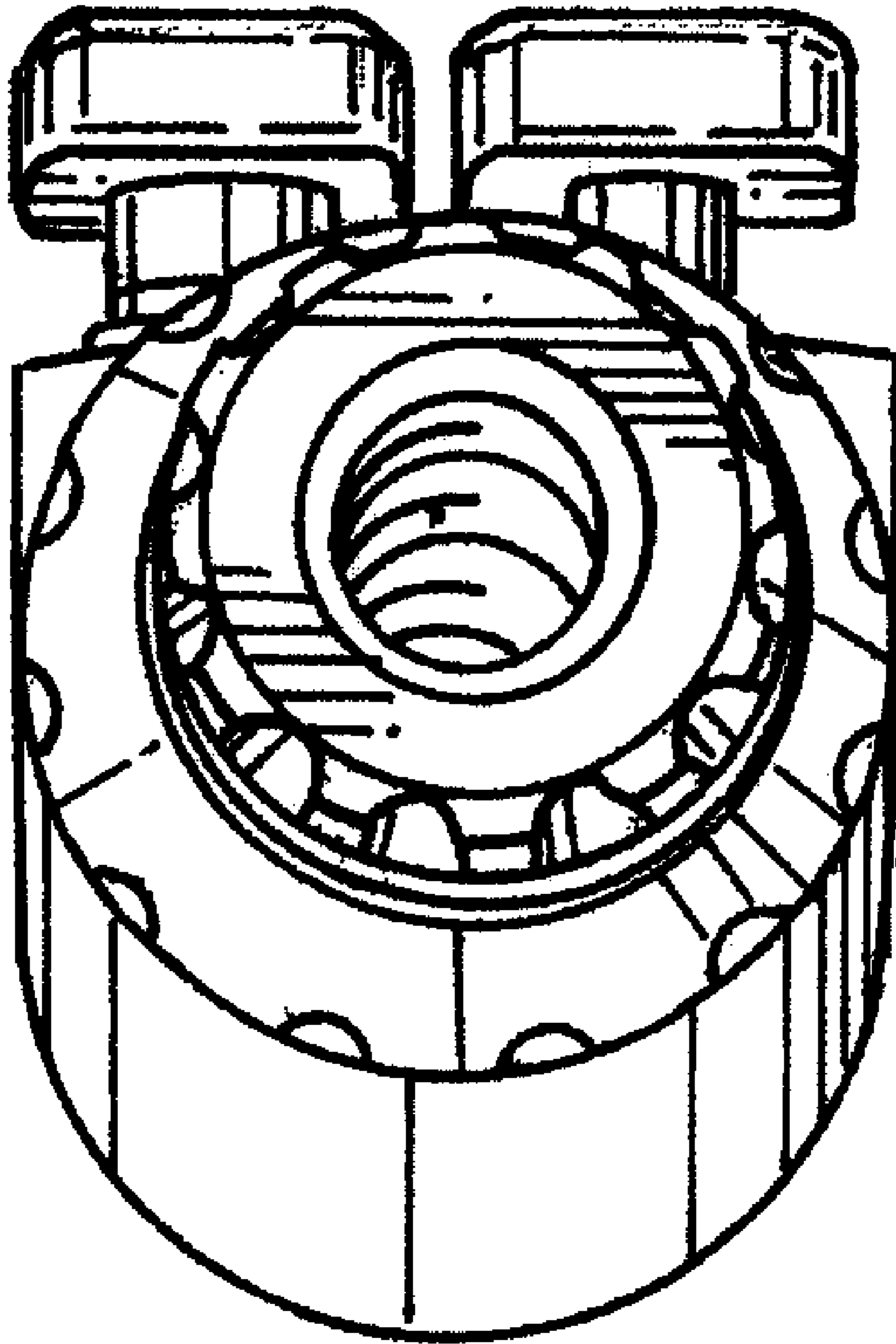
*FIG. 3*



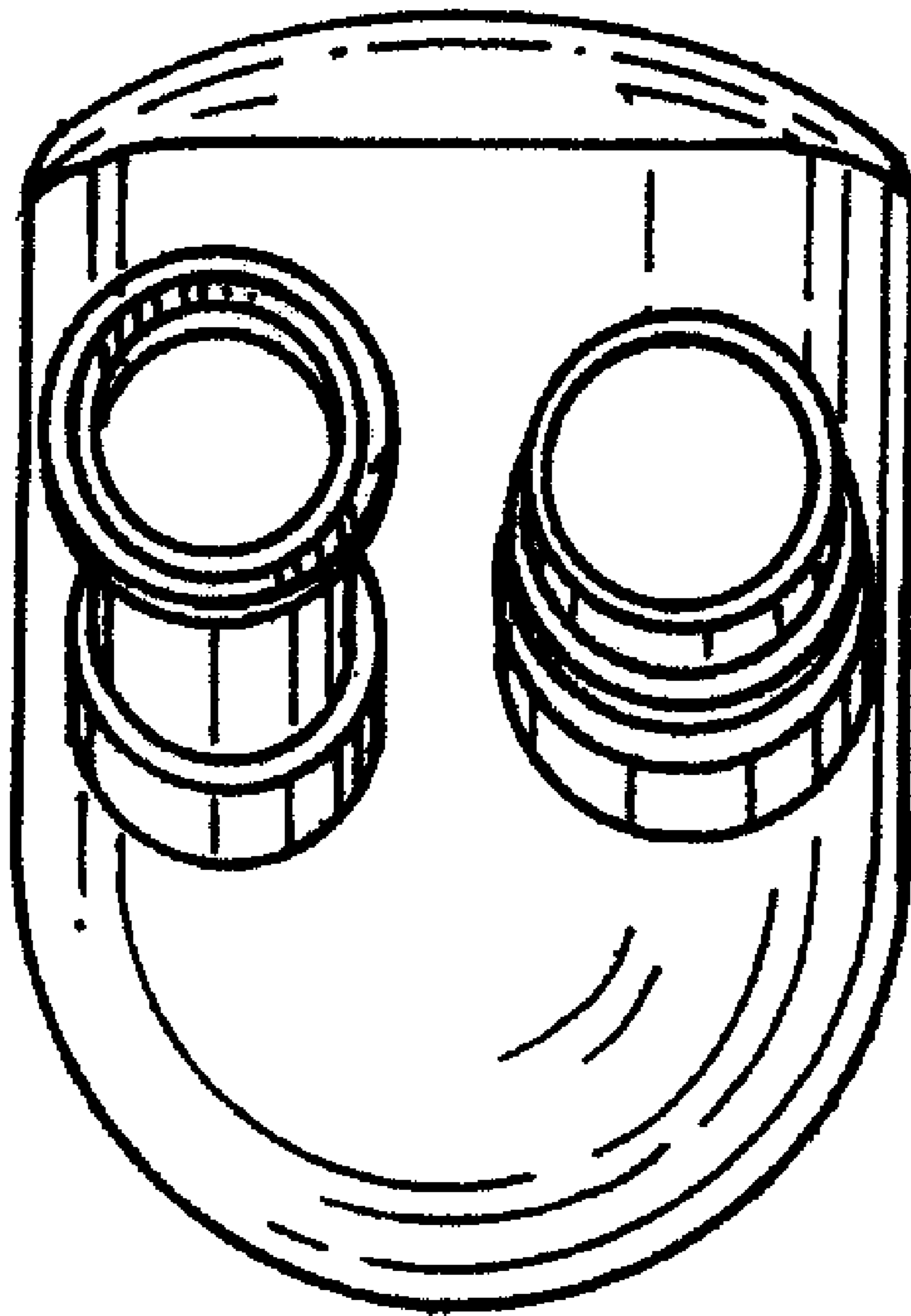
*FIG. 4*



*FIG. 5*



*FIG. 6*



*FIG. 7*