



US00D537159S

(12) **United States Design Patent**
Kashimura

(10) **Patent No.:** **US D537,159 S**

(45) **Date of Patent:** **** Feb. 20, 2007**

(54) **RANGE HOOD**

(75) Inventor: **Keiichi Kashimura**, Kanagawa-ken
(JP)

(73) Assignee: **Fuji Industrial Co., Ltd.**, Sagamihara
(JP)

(**) Term: **14 Years**

(21) Appl. No.: **29/226,617**

(22) Filed: **Mar. 31, 2005**

(51) **LOC (8) Cl.** **23-04**

(52) **U.S. Cl.** **D23/372**

(58) **Field of Classification Search** D23/372,
D23/371; 126/299 R, 299 D

See application file for complete search history.

(56) **References Cited**

U.S. PATENT DOCUMENTS

D100,729 S	8/1936	Graff
2,548,607 A	4/1951	Jenn
3,011,422 A	12/1961	Scallan
D196,287 S	9/1963	Brannan

(Continued)

FOREIGN PATENT DOCUMENTS

JP	1131000	1/2002
JP	1131001	1/2002
JP	1131246	1/2002
JP	1131427	1/2002

OTHER PUBLICATIONS

U.S. Appl. No. 29/201,316 to Kudo, which was filed on Mar. 15, 2004.

U.S. Appl. No. 29/229,308 to Kashimura, which was filed on May 6, 2005.

U.S. Appl. No. 29/226,618 to Kashimura, which was filed on Mar. 31, 2005.

U.S. Appl. No. 29/224,452 to Kashimura, which was filed on Mar. 3, 2005.

U.S. Appl. No. 29/224,476 to Kashimura, which was filed on Mar. 3, 2005.

English language translation of Japanese Design Registration No. 1131000.

English language translation of Japanese Design Registration No. 1131001.

English language translation of Japanese Design Registration No. 1131246.

English language translation of Japanese Design Registration No. 1131427.

VentAHood: Complete Ventilation Systems brochure, copyright 1994.

Primary Examiner—Lisa Lichtenstein

(74) *Attorney, Agent, or Firm*—Greenblum & Bernstein, P.L.C.

(57) **CLAIM**

I claim the ornamental design for a range hood, as shown and described.

DESCRIPTION

FIG. 1 is a top plan view of a range hood, showing my new design;

FIG. 2 is a bottom plan view thereof;

FIG. 3 is a front elevational view thereof;

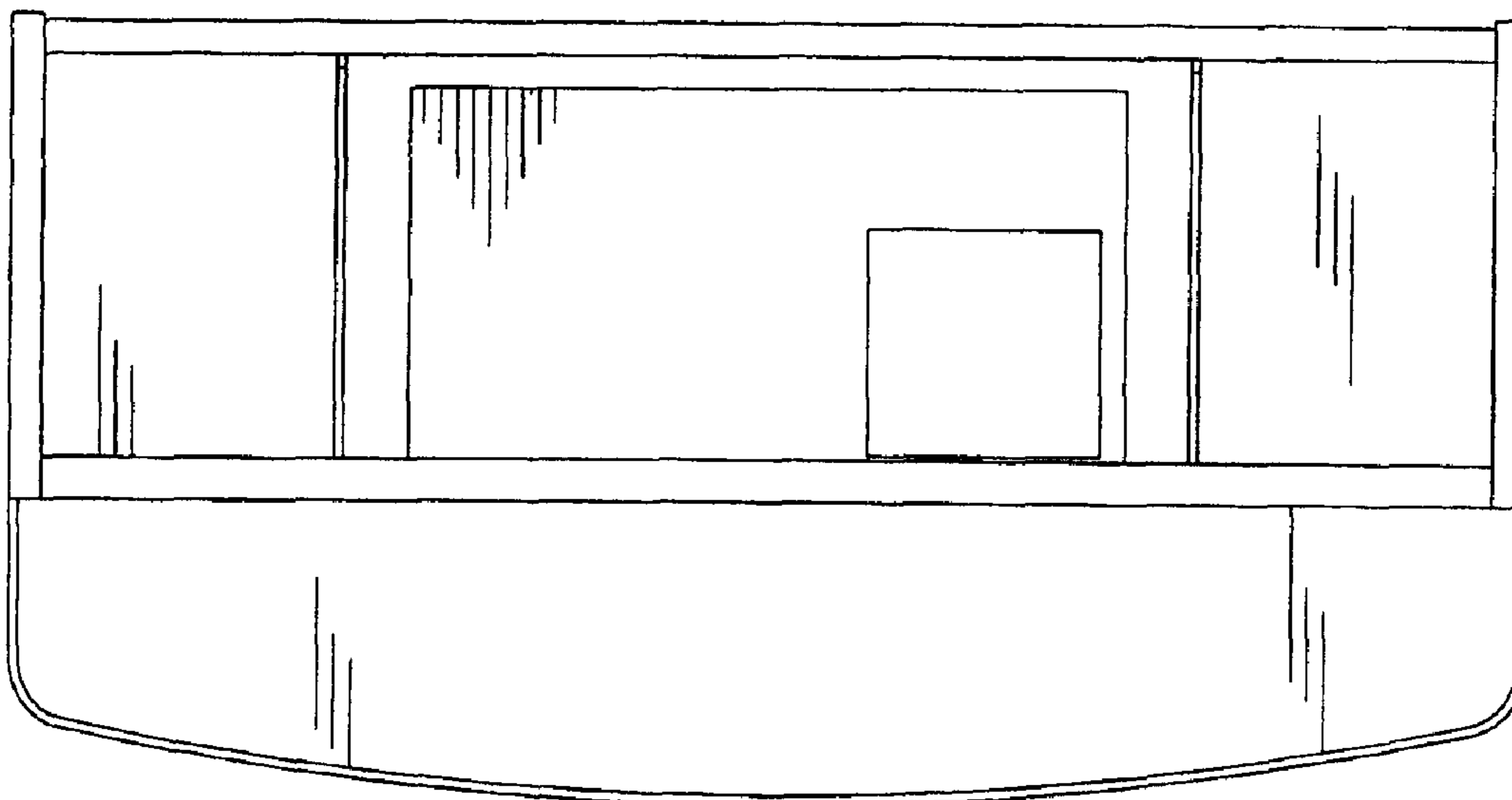
FIG. 4 is a rear elevational view thereof;

FIG. 5 is a left side elevational view thereof, the right side being a mirror image of the right side;

FIG. 6 is a front perspective view of the range hood of my design; and,

FIG. 7 is rear perspective view of the range hood of my design.

1 Claim, 7 Drawing Sheets



US D537,159 S

Page 2

U.S. PATENT DOCUMENTS

3,564,989 A	2/1971	Bernard		5,711,091 A	1/1998	Bos	
3,690,245 A	9/1972	Ferlise et al.		D390,648 S	2/1998	Woodall, III	
D247,252 S	2/1978	Rosenberg		D439,649 S	3/2001	Wyler et al.	
D264,792 S	6/1982	Conti		6,216,686 B1	4/2001	Chiu	
4,506,655 A	3/1985	Kuechler		D443,351 S	6/2001	Strand et al.	
D280,339 S	8/1985	Harwell		D450,829 S	11/2001	Bothe et al.	
4,541,409 A *	9/1985	Karst et al.	126/299 D	D452,557 S	12/2001	Tamura	
D281,451 S	11/1985	Shames et al.		D452,558 S	12/2001	Tamura	
D283,837 S	5/1986	Oster		D452,907 S	1/2002	Tamura	
D286,563 S	11/1986	Kupferberg		6,354,287 B1	3/2002	Kudoh	
D296,466 S	6/1988	Gratton		6,368,062 B1	4/2002	Yagami et al.	
D315,204 S	3/1991	Fleming et al.		D460,547 S	7/2002	Li	
D318,111 S	7/1991	Galassi		D465,021 S	10/2002	Liou	
5,027,790 A	7/1991	Chern		D471,268 S	3/2003	Segers	
5,069,197 A	12/1991	Wisting		D473,297 S	4/2003	Bothe et al.	
D325,966 S	5/1992	Wei		D475,131 S	5/2003	Pilger	
D327,540 S	6/1992	Vogelzang		D482,769 S	11/2003	Bothe et al.	
D329,090 S	9/1992	Vogelzang		D483,846 S	12/2003	Kudo	
5,320,088 A	6/1994	Nester		D484,231 S	12/2003	Kudo	
5,363,837 A	11/1994	Jang		D487,505 S	3/2004	Grobleben	
D375,351 S	11/1996	Conforti		D490,887 S	6/2004	Segers	
D379,501 S	5/1997	Airosa et al.		D493,880 S	8/2004	Achen	
D380,044 S	6/1997	Tobias		6,945,244 B2 *	9/2005	Yamada	126/299 D
D380,823 S	7/1997	LaZar					

* cited by examiner

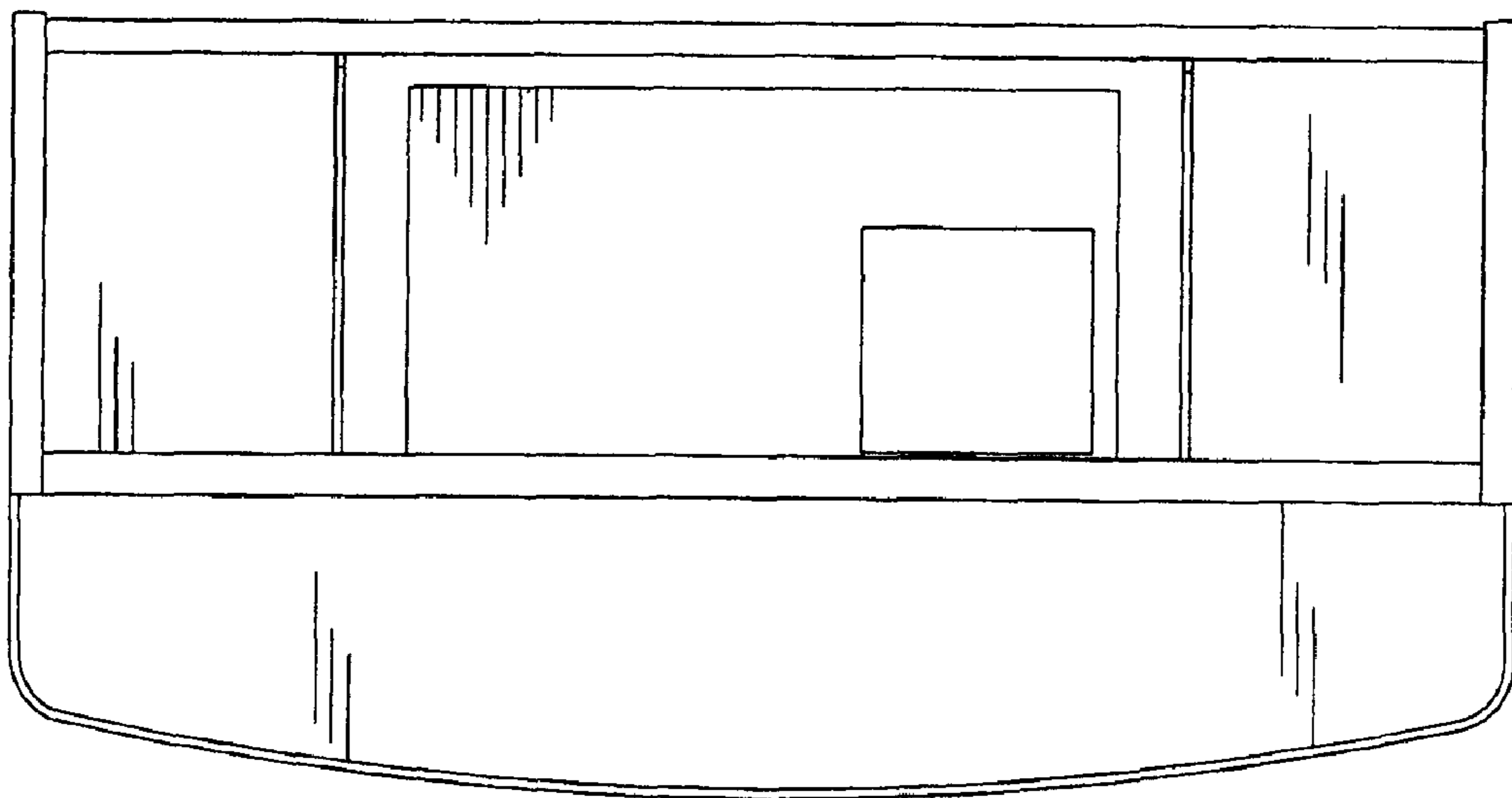
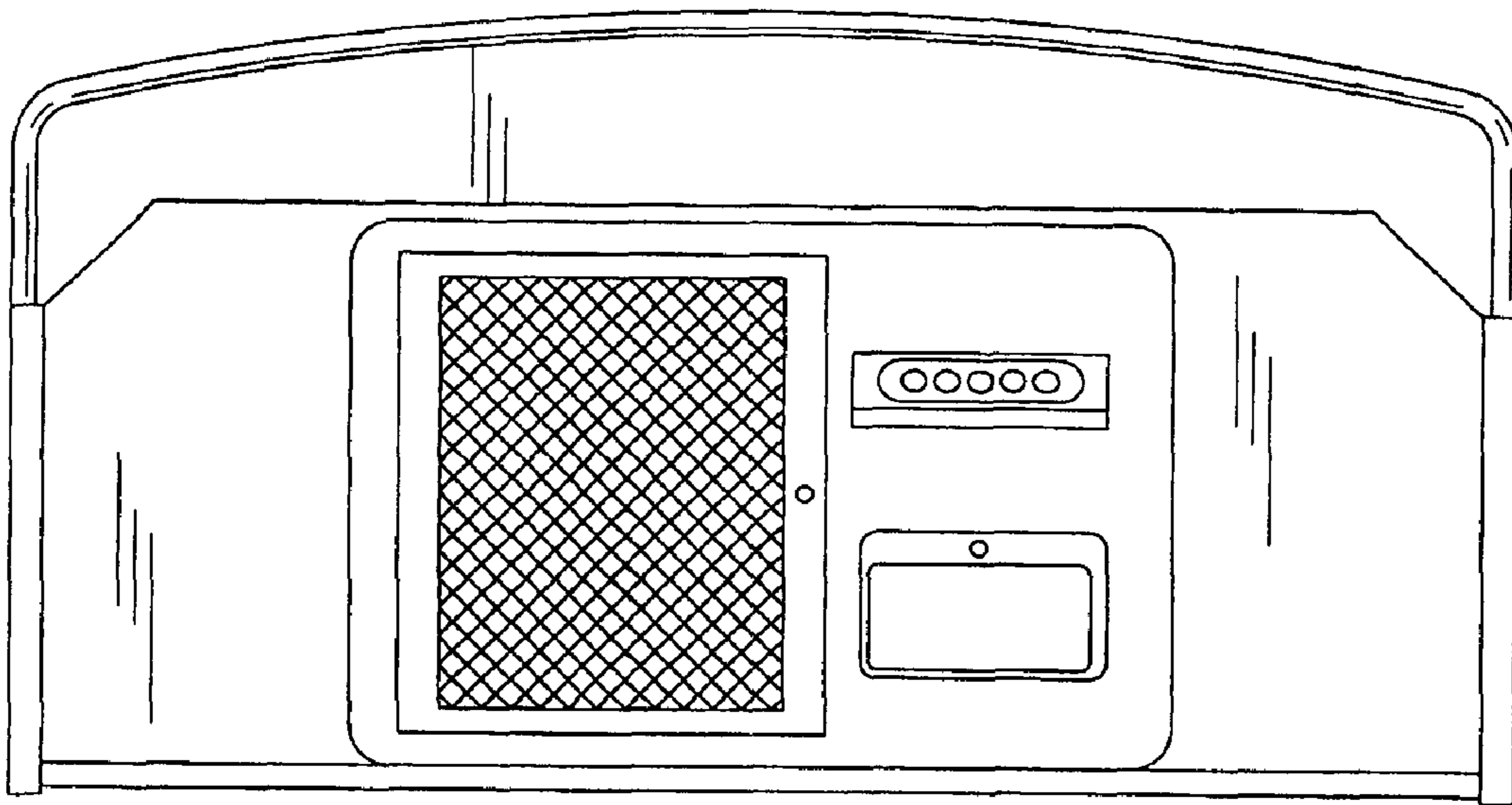
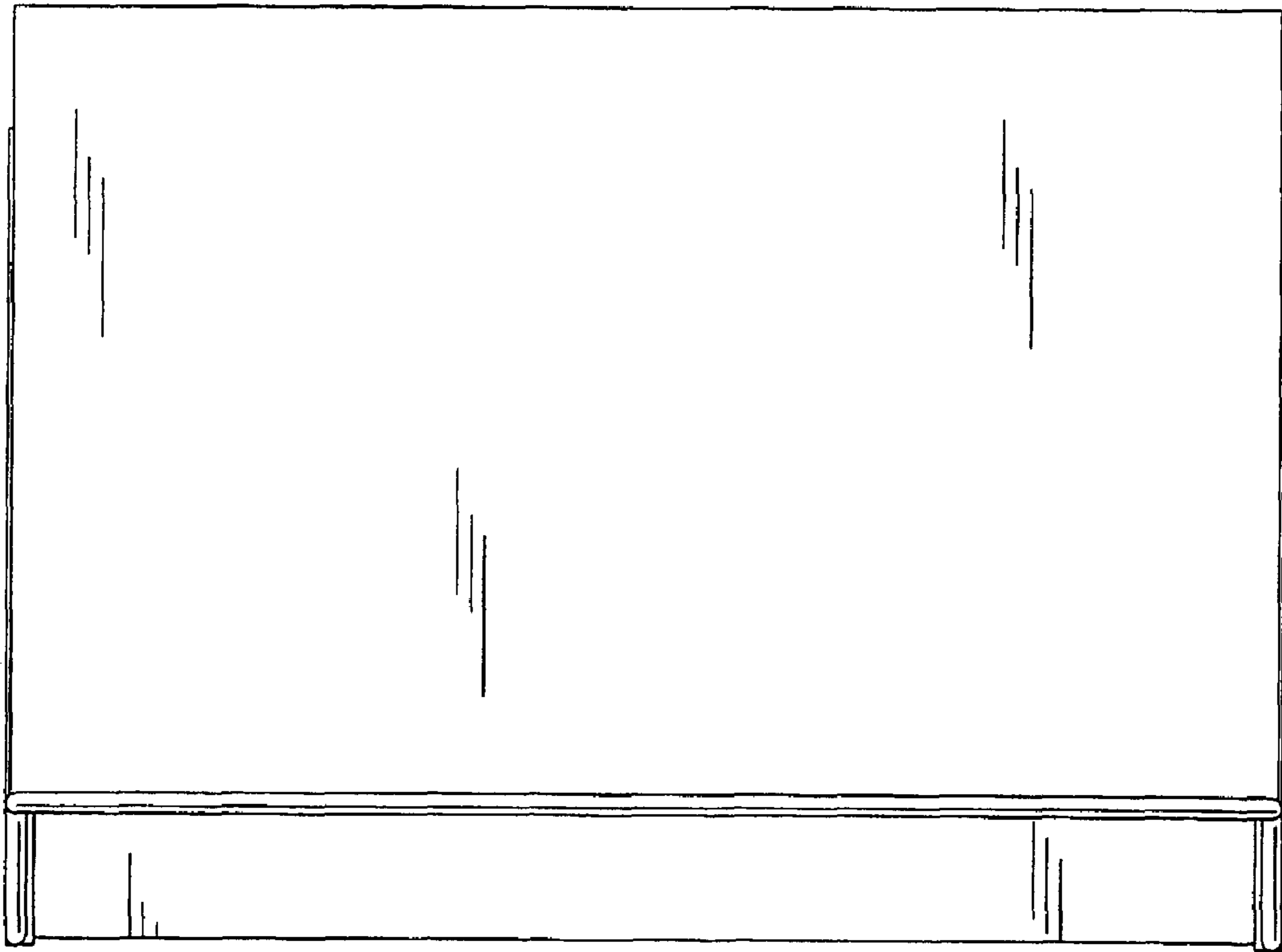


FIG. 1



F I G . 2



F I G . 3

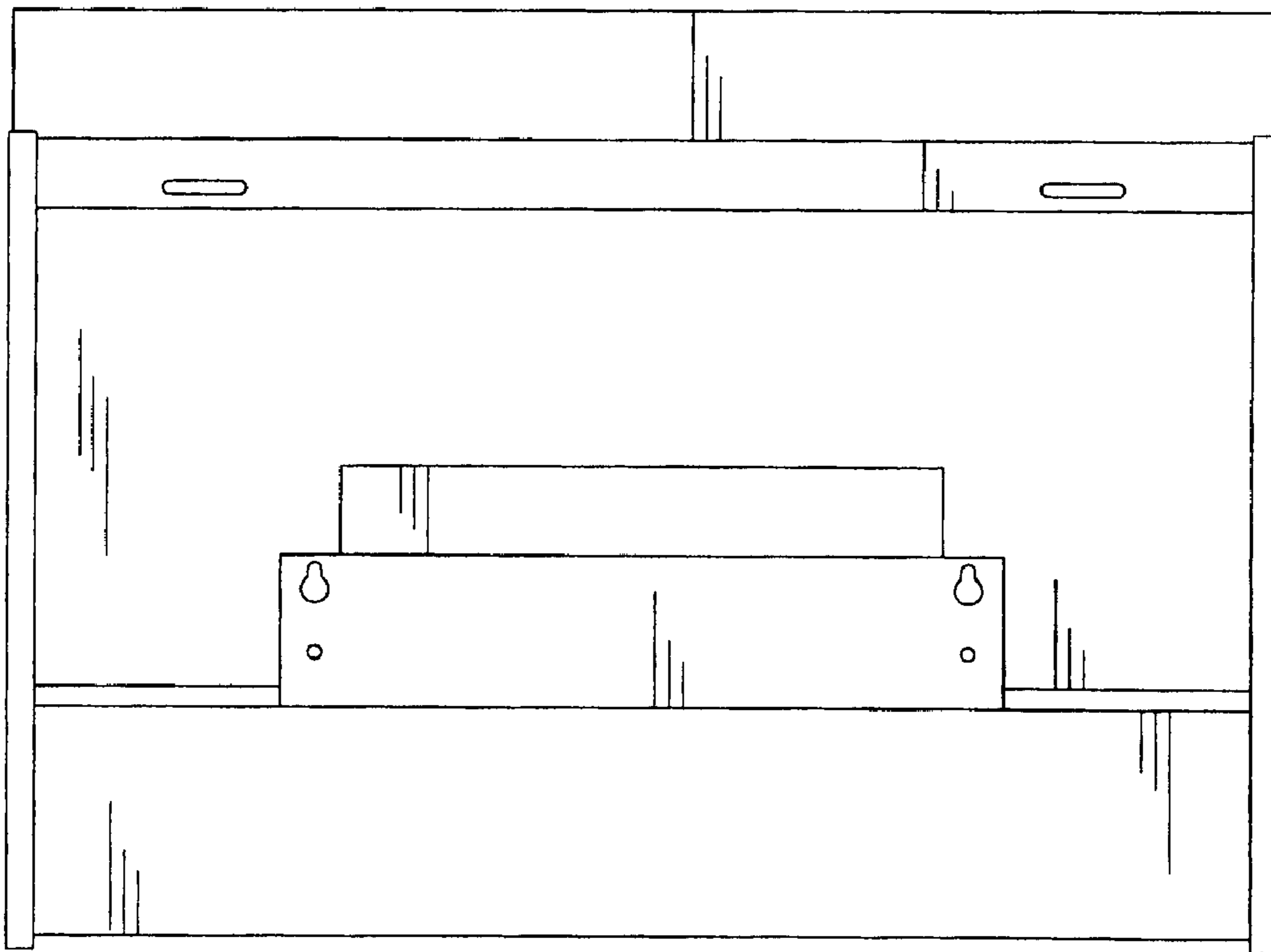


FIG. 4

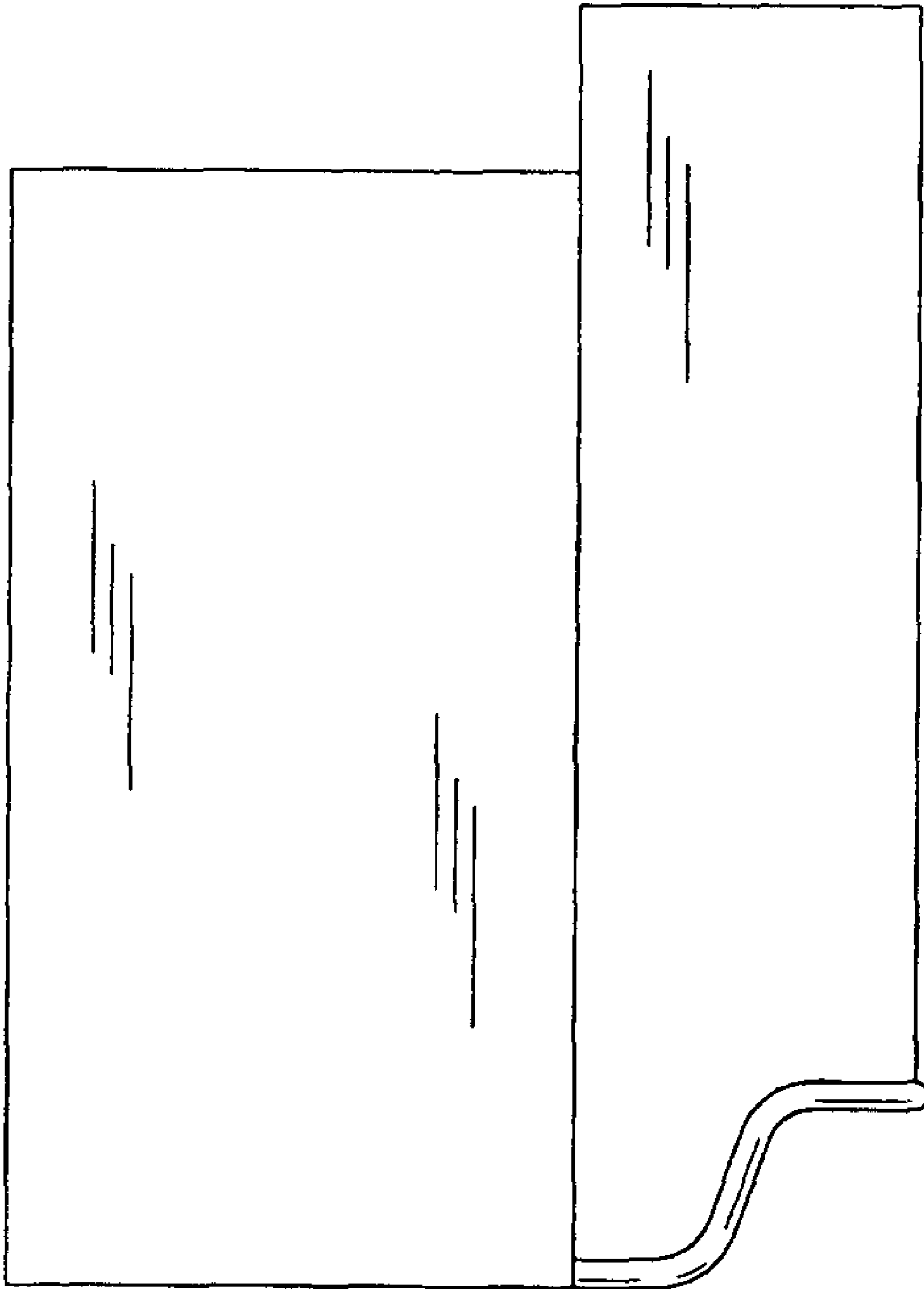


FIG. 5

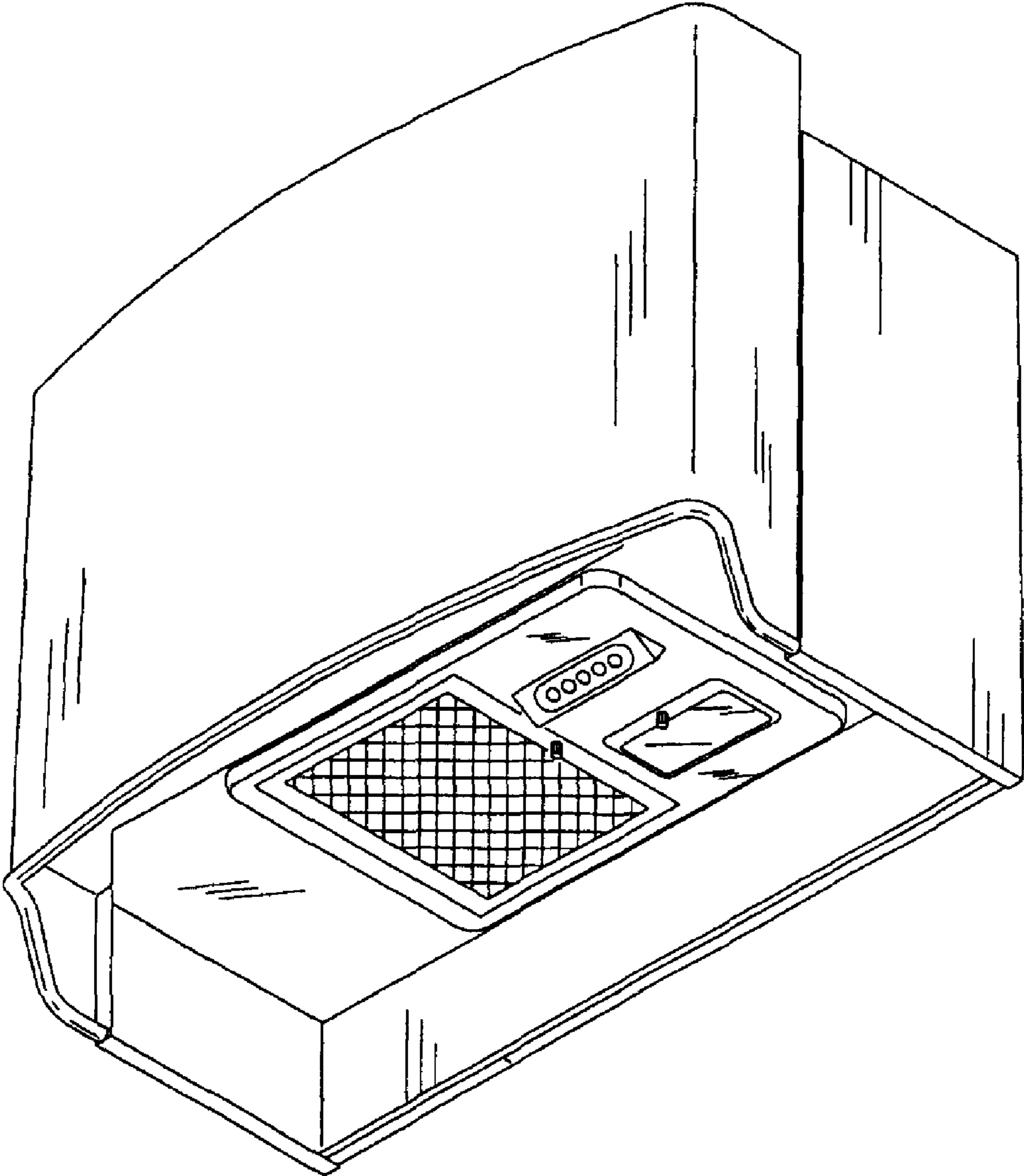
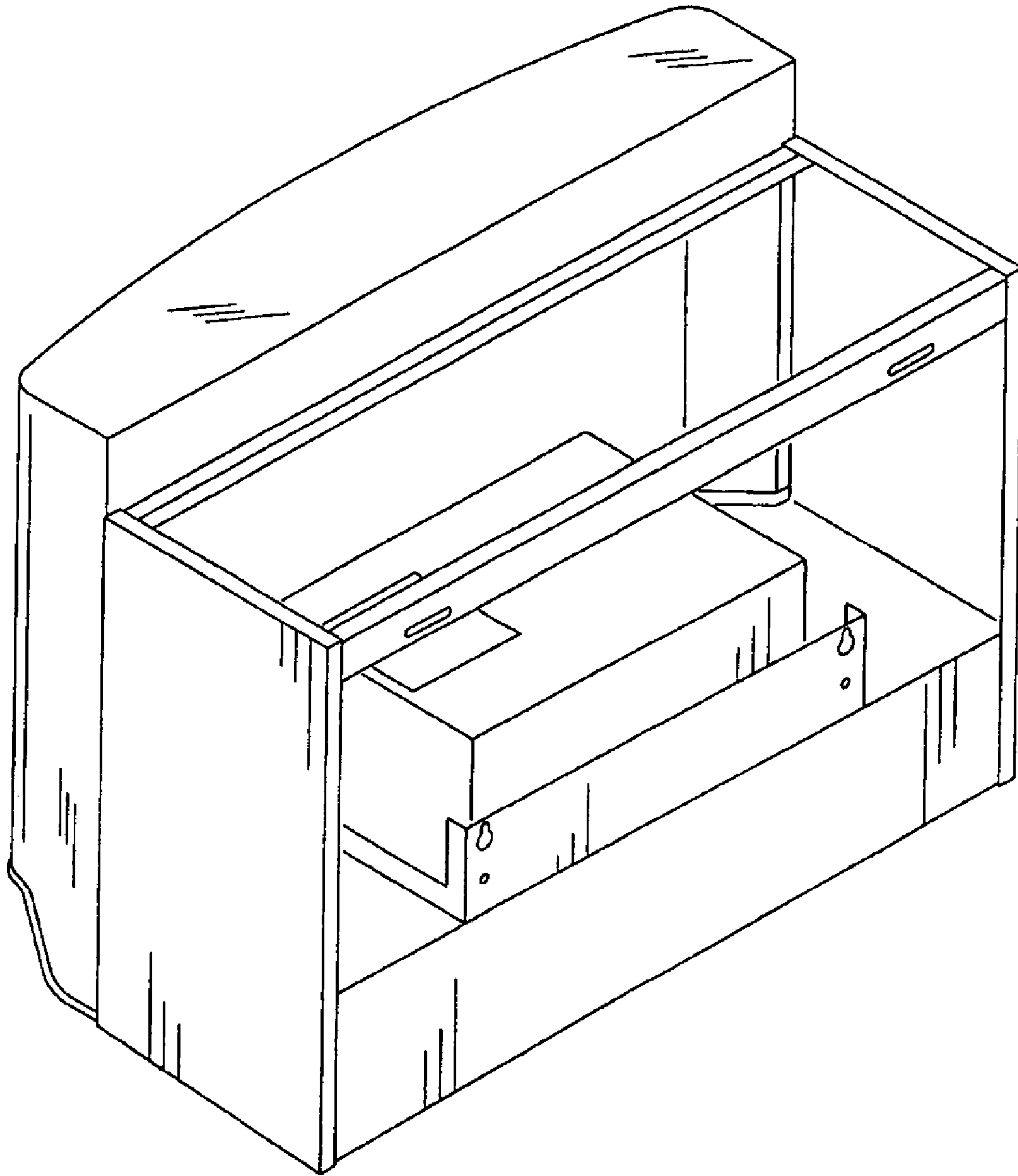


FIG. 6



F I G . 7