



US00D537153S

(12) **United States Design Patent**
Hoog et al.

(10) **Patent No.:** **US D537,153 S**
(45) **Date of Patent:** **** Feb. 20, 2007**

(54) **HEATER AND A HEATER WITH A SUPPORT ELEMENT**

D462,429 S * 9/2002 Gao D23/335
D499,472 S * 12/2004 Ching D23/332
D516,688 S * 3/2006 Blateri D23/335

(75) Inventors: **Kenneth Hoog**, Laxa (SE); **Anders Rosendahl**, Torshalla (SE)

* cited by examiner

(73) Assignee: **Calix Automotive AB**, Eskilstuna (SE)

Primary Examiner—Brian N Vinson
(74) *Attorney, Agent, or Firm*—Birch, Stewart, Kolasch & Birch, LLP

(**) Term: **14 Years**

(21) Appl. No.: **29/234,907**

(57) **CLAIM**

(22) Filed: **Jul. 26, 2005**

The ornamental design for a heater and a heater with support element, as shown and described.

(30) **Foreign Application Priority Data**

DESCRIPTION

Feb. 8, 2005 (EM) 000291786-0001/0002

(51) **LOC (8) Cl.** **23-03**

FIG. 1 is a front, perspective view of a heater showing our new design;

(52) **U.S. Cl.** **D23/335**

FIG. 2 is a rear, perspective view thereof;

(58) **Field of Classification Search** D23/332,
D23/314, 335-338, 340-345, 349-350; 392/360,
392/365-369, 373-376; 312/326; 126/110 B,
126/90 A, 92 A

FIG. 3 is a left side view thereof, the right side view being a mirror image thereof; and,

See application file for complete search history.

FIG. 4 is a top plan view thereof.

The bottom is substantially flat and unornamented.

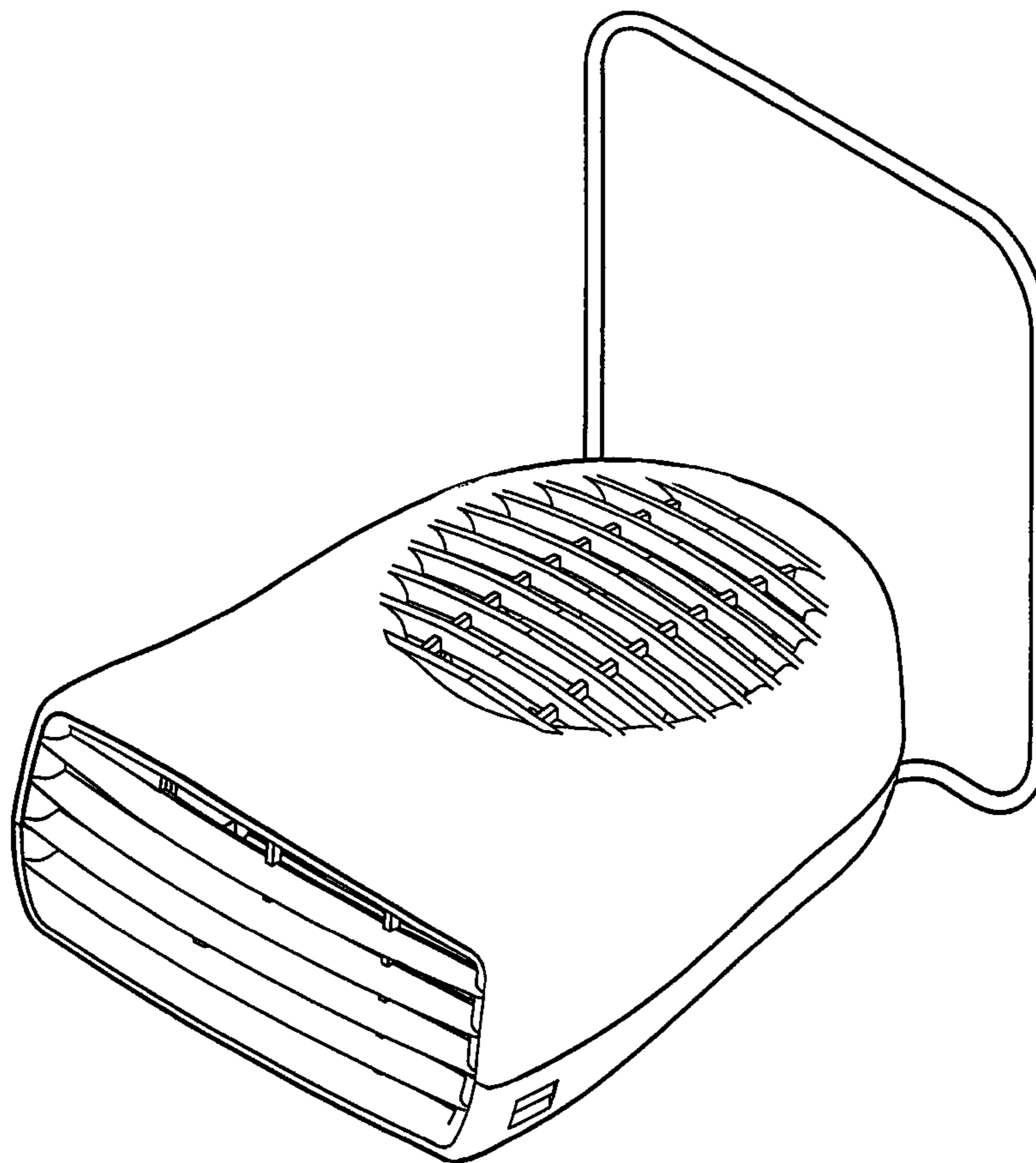
(56) **References Cited**

The dotted line showing is for environmental purposes and is not part of the claimed invention.

U.S. PATENT DOCUMENTS

D459,454 S * 6/2002 Shapiro D23/335

1 Claim, 4 Drawing Sheets



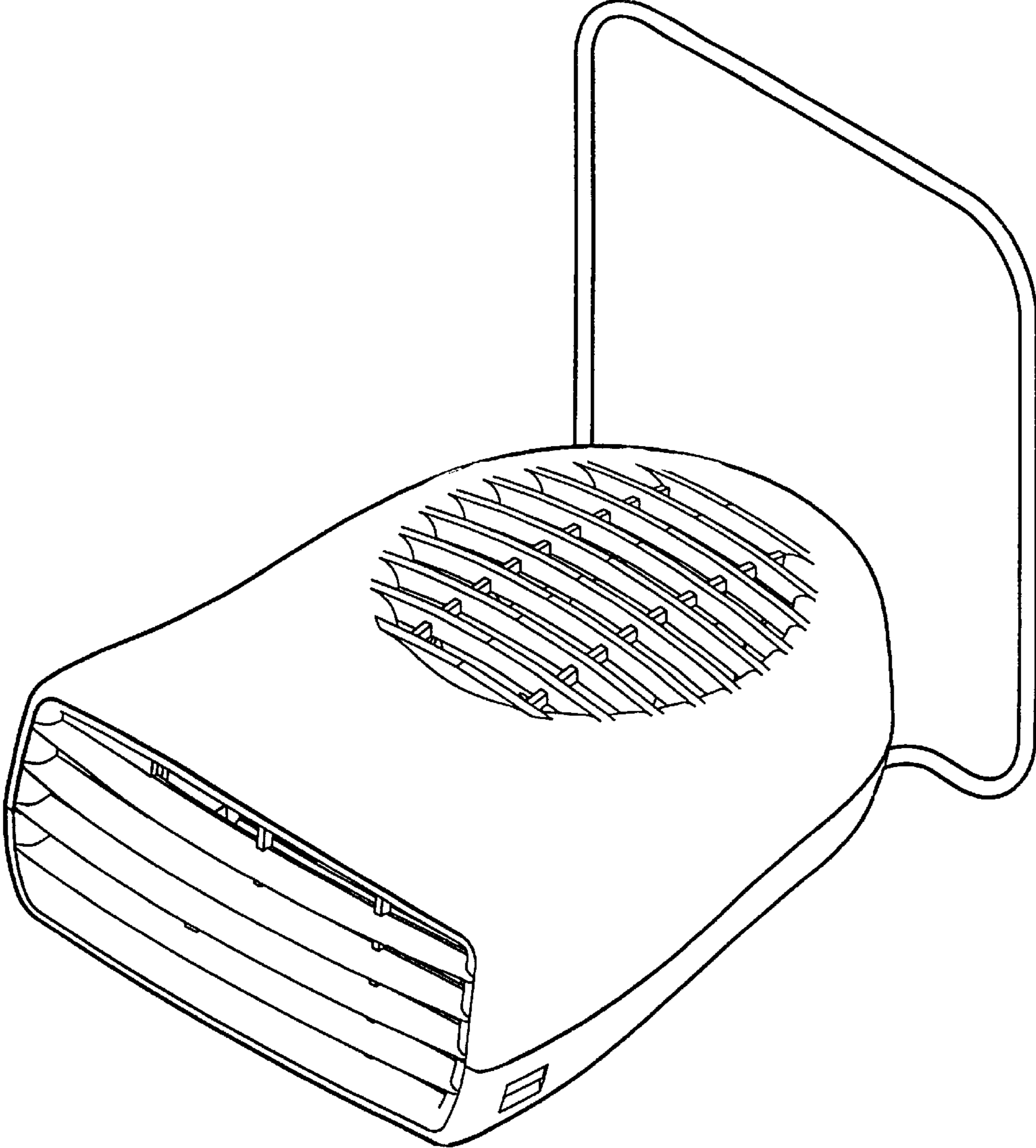


FIG.1

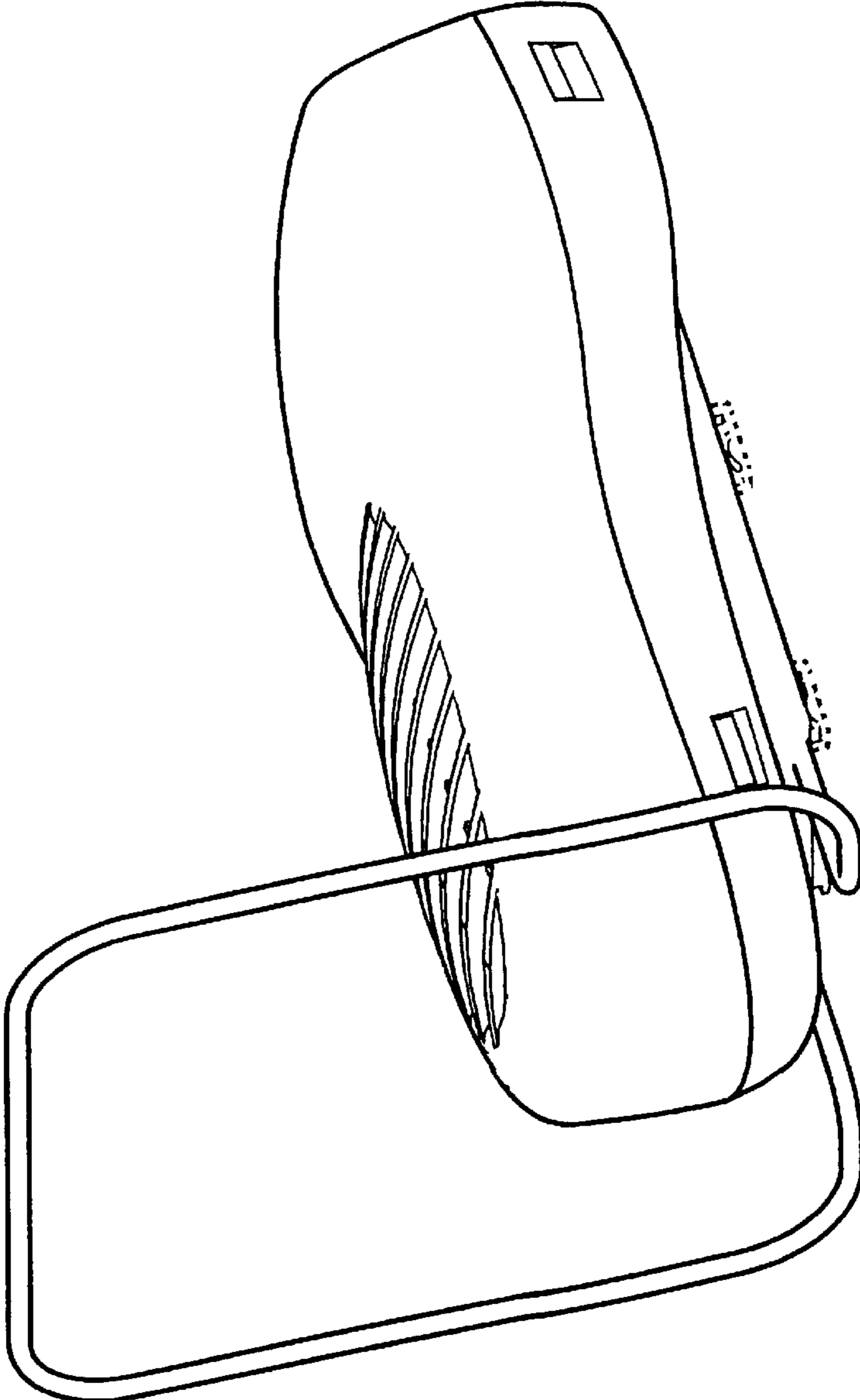


FIG.2

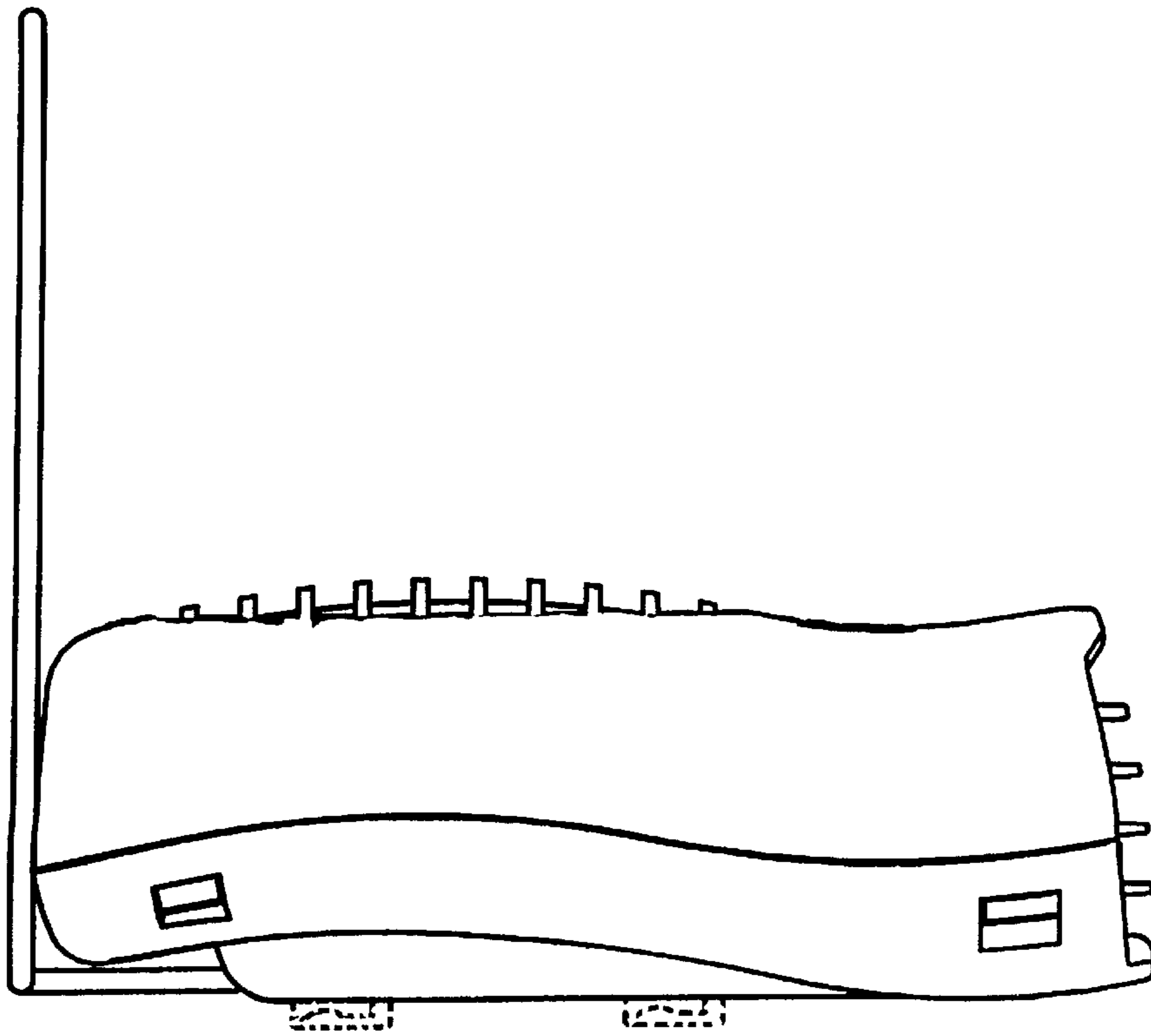


FIG.3

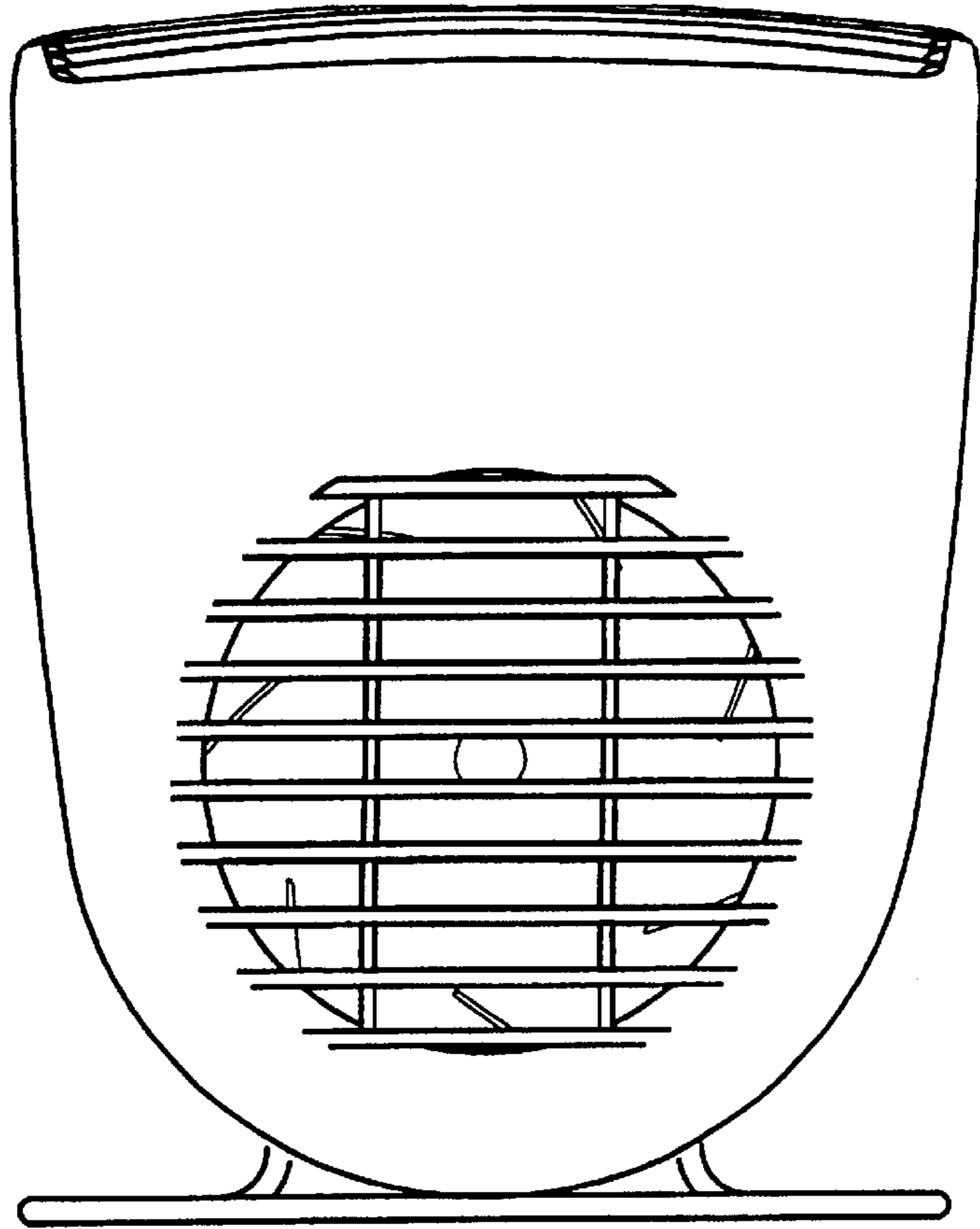


FIG.4