



US00D537151S

(12) **United States Design Patent**  
**Good et al.**

(10) **Patent No.:** **US D537,151 S**  
(45) **Date of Patent:** **\*\* Feb. 20, 2007**

(54) **TOILET**

(75) Inventors: **Mark Good**, Ann Arbor, MI (US);  
**Jason Smith**, West Bloomfield, MI  
(US); **George Grech**, Garden City, MI  
(US)

(73) Assignee: **Thetford Corporation**, Ann Arbor, MI  
(US)

(\*\*) Term: **14 Years**

(21) Appl. No.: **29/242,381**

(22) Filed: **Nov. 9, 2005**

(51) **LOC (8) Cl.** ..... **23-02**

(52) **U.S. Cl.** ..... **D23/295**

(58) **Field of Classification Search** ..... D23/273-274,  
D23/295-301, 303, 309, 313; 4/663-665,  
4/300-300.3, 312-313, 328-329, 353, 420,  
4/443-446, 449, 459-460, 479-480, 902,  
4/905, DIG. 11, DIG. 12, DIG. 15

See application file for complete search history.

(56) **References Cited**

U.S. PATENT DOCUMENTS

3,883,903	A	5/1975	Vanden Brock et al.	.....	4/85
3,932,901	A	1/1976	Inui et al.	.....	4/79
D268,780	S	4/1983	Doman et al.	.....	D23/65
4,710,988	A	12/1987	Stewart	.....	4/438
5,060,320	A	* 10/1991	Sargent et al.	.....	4/438
D331,959	S	12/1992	Huang	.....	D23/301
D347,496	S	5/1994	Wei	.....	D23/301
D397,214	S	8/1998	Felker	.....	D23/301
D422,063	S	3/2000	Moon	.....	D23/295

D438,941	S	3/2001	Selina et al.	.....	D23/299
6,584,623	B2	* 7/2003	Grech et al.	.....	4/434
D484,580	S	12/2003	Fritz	.....	D23/295
D484,957	S	1/2004	Grech et al.	.....	D23/295
D485,604	S	1/2004	Good et al.	.....	D23/295
D513,429	S	1/2006	Fritz	.....	D23/299

\* cited by examiner

*Primary Examiner*—Robert A. Delehanty

(74) *Attorney, Agent, or Firm*—Harness, Dickey & Pierce,  
P.L.C.

(57) **CLAIM**

The ornamental design for a toilet, as shown and described.

**DESCRIPTION**

FIG. 1 is a front perspective view of a first toilet embodying our new design;

FIG. 2 is a top view thereof;

FIG. 3 is a front view thereof;

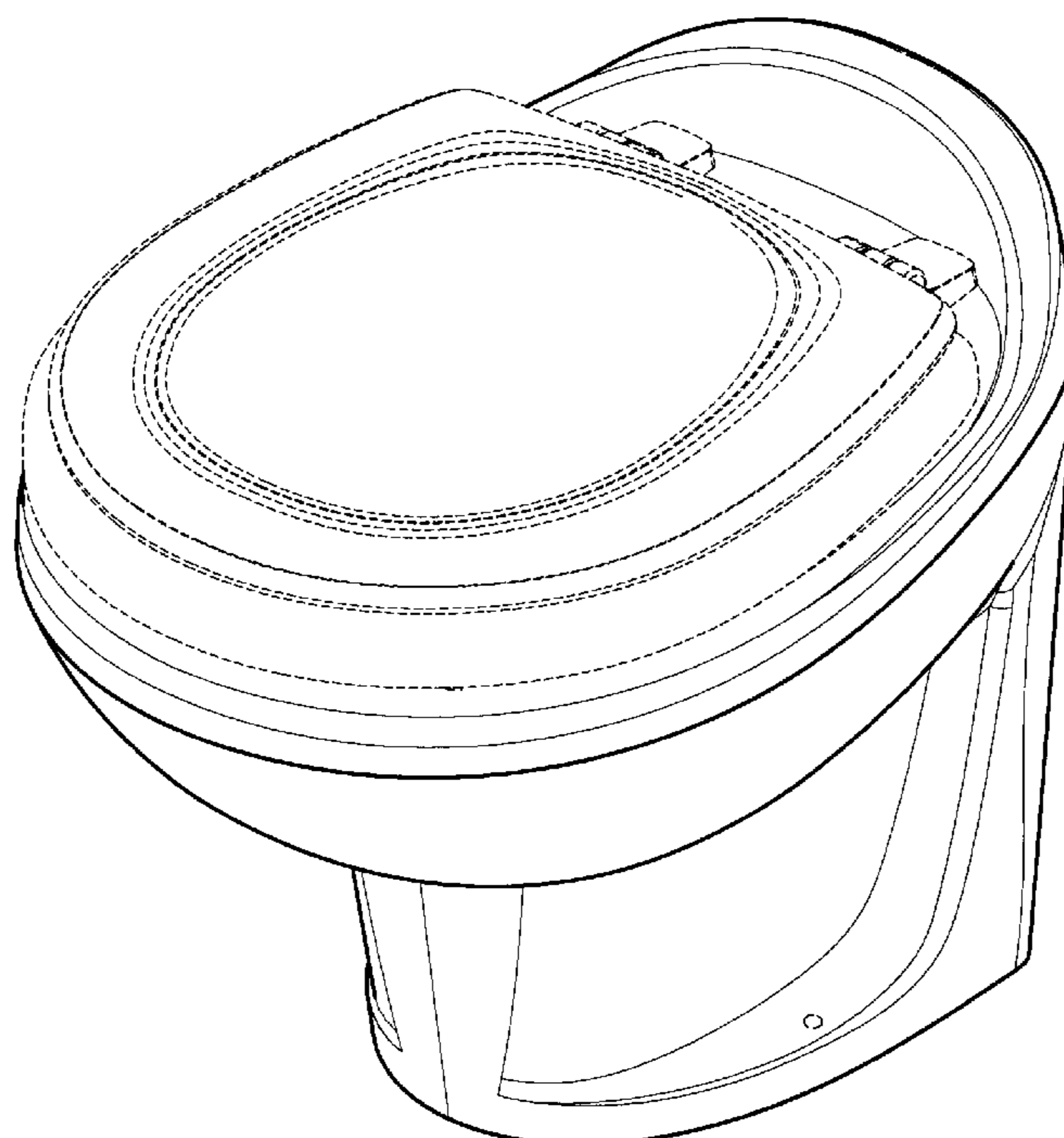
FIG. 4 is a left side view thereof, it being understood that the right side is a substantial mirror image;

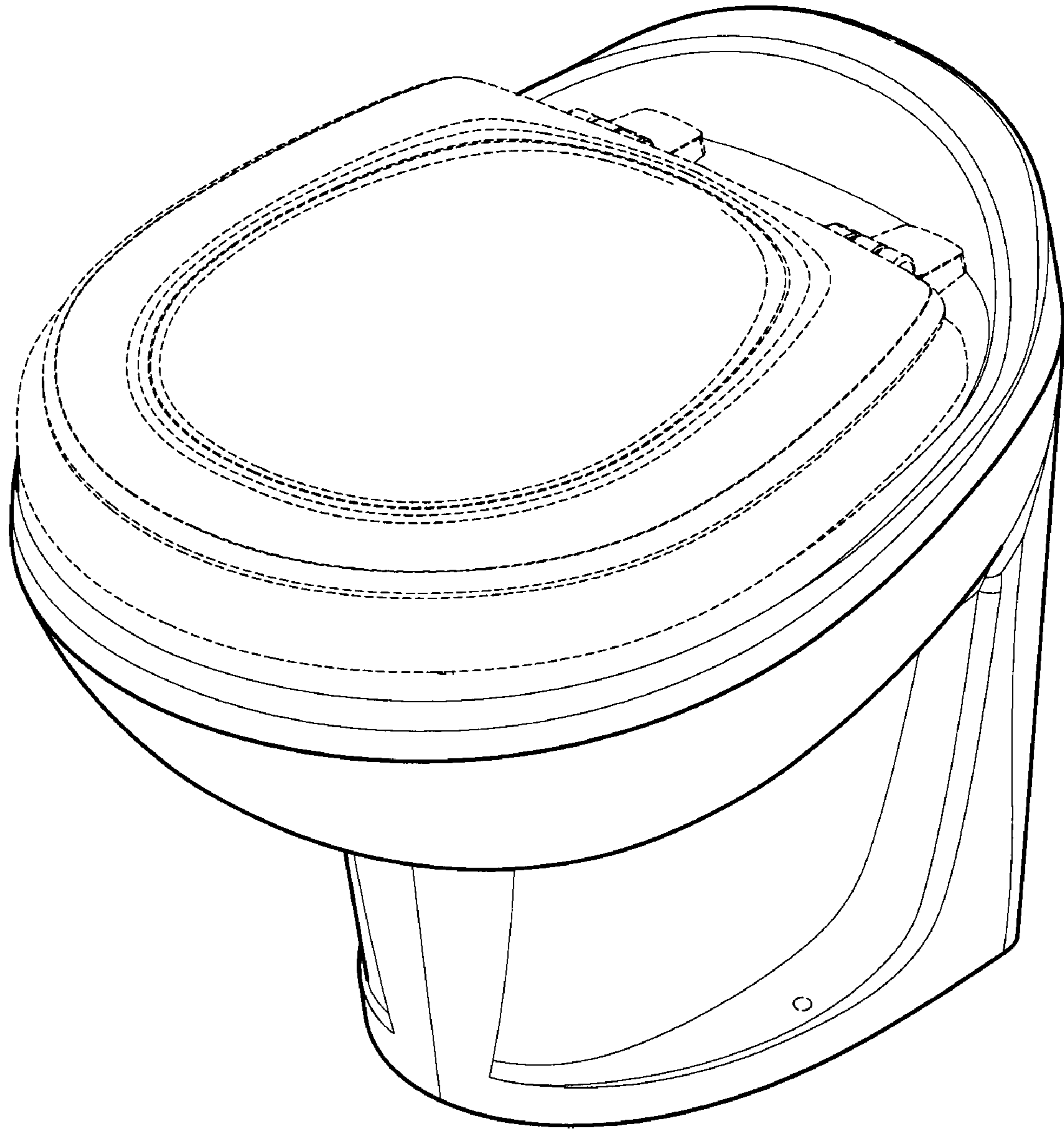
FIG. 5 is a front view of a second toilet embodying our new design; and,

FIG. 6 is right side view thereof, it being understood that the left side is a substantial mirror image thereof.

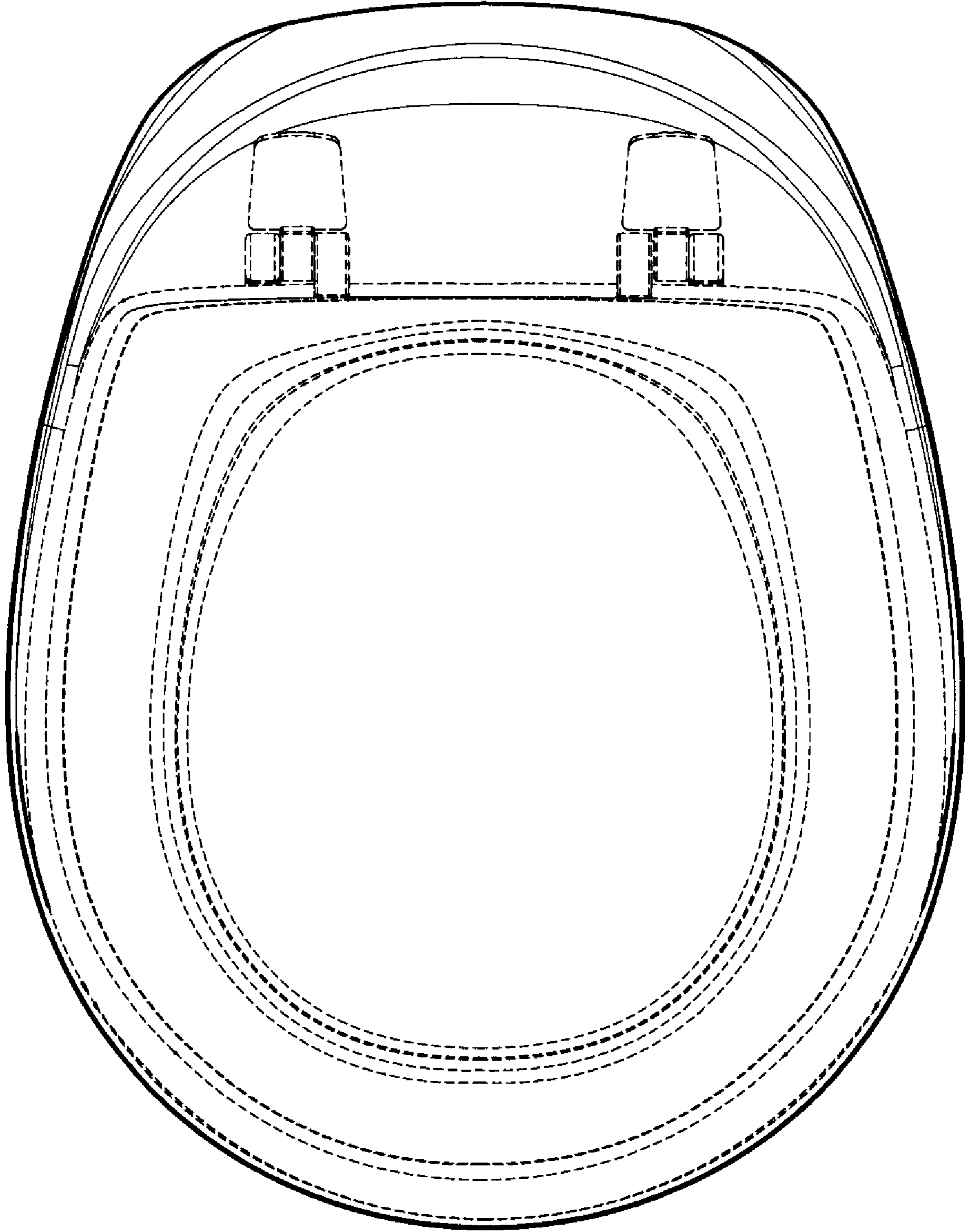
It will be understood that the broken line shown throughout the drawings is for illustrative purposes only and forms no part of the subject invention. It will be additionally understood that the rear and bottom views of the first and second toilets are visible during normal use. It will be further being understood that the details between the first and second toilets are identical unless otherwise detailed herein.

**1 Claim, 6 Drawing Sheets**

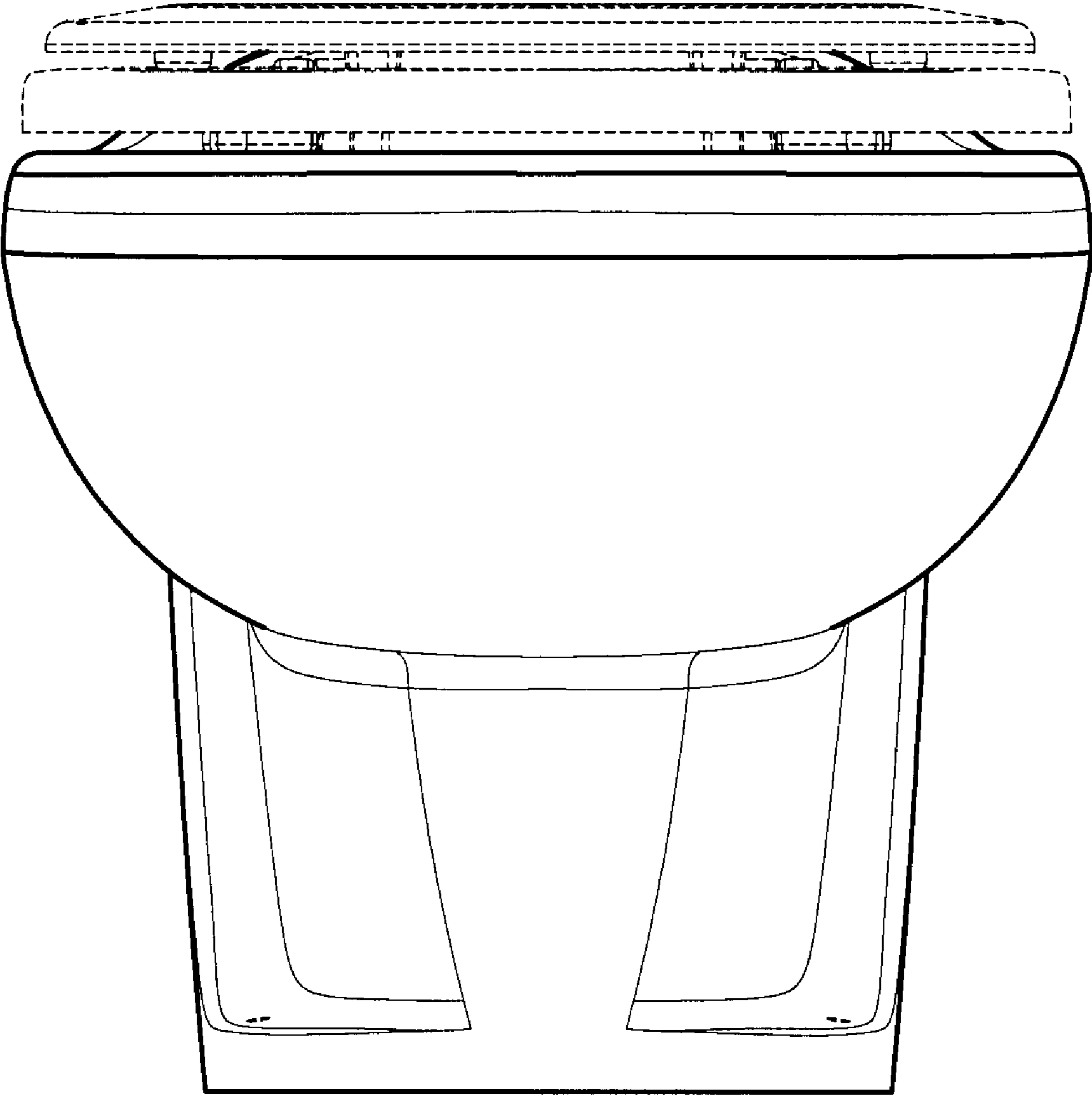




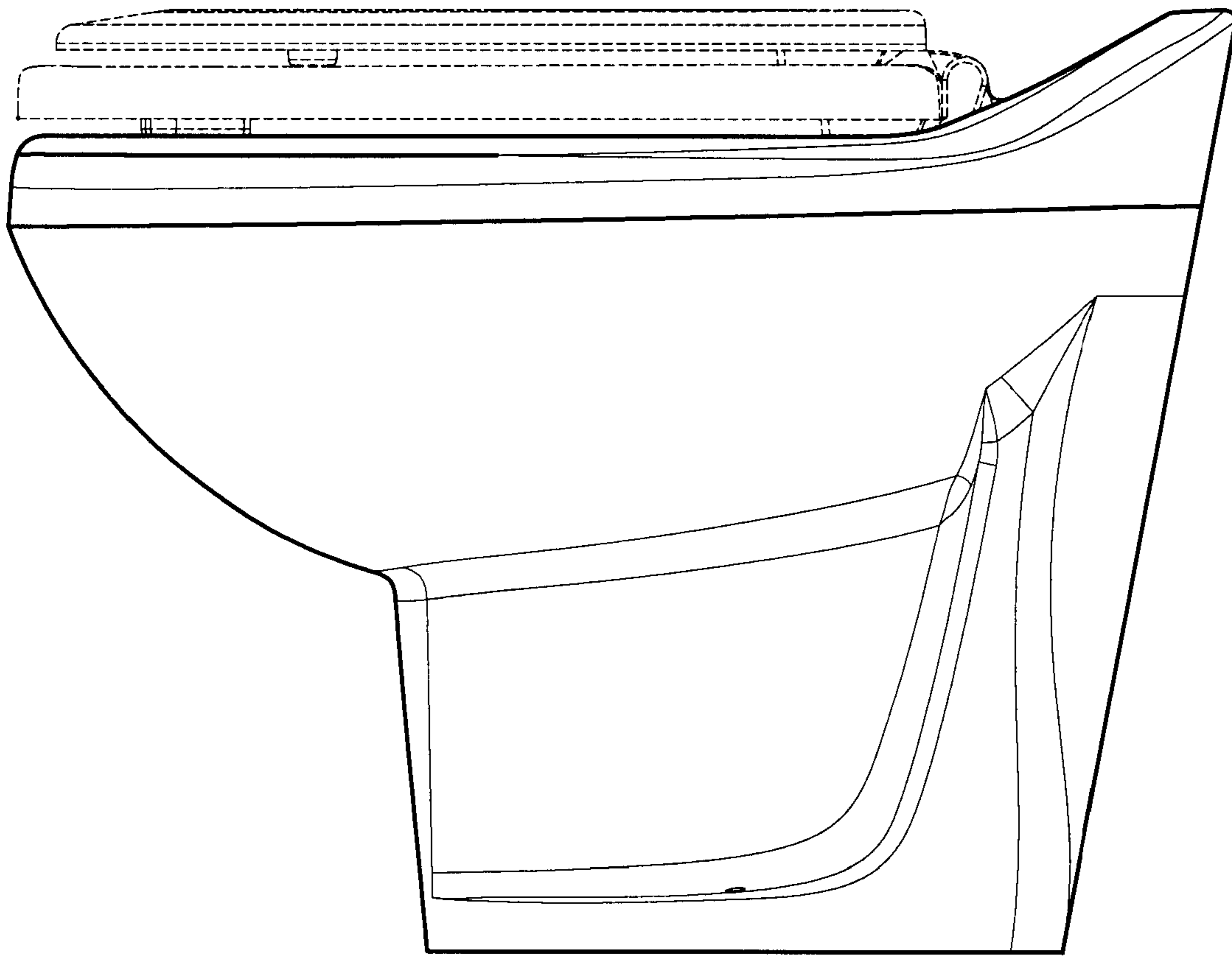
**FIG - 1**



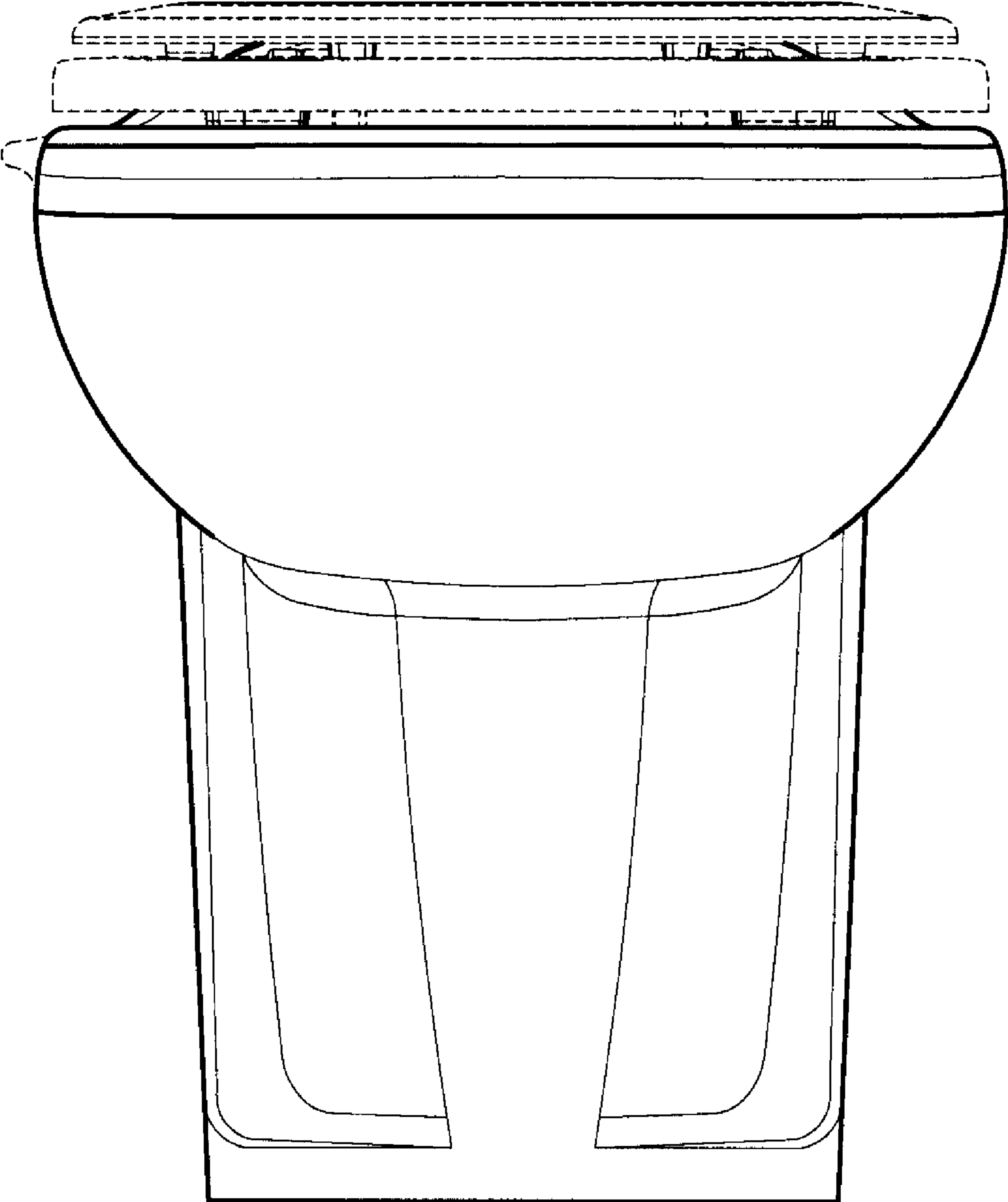
**FIG - 2**



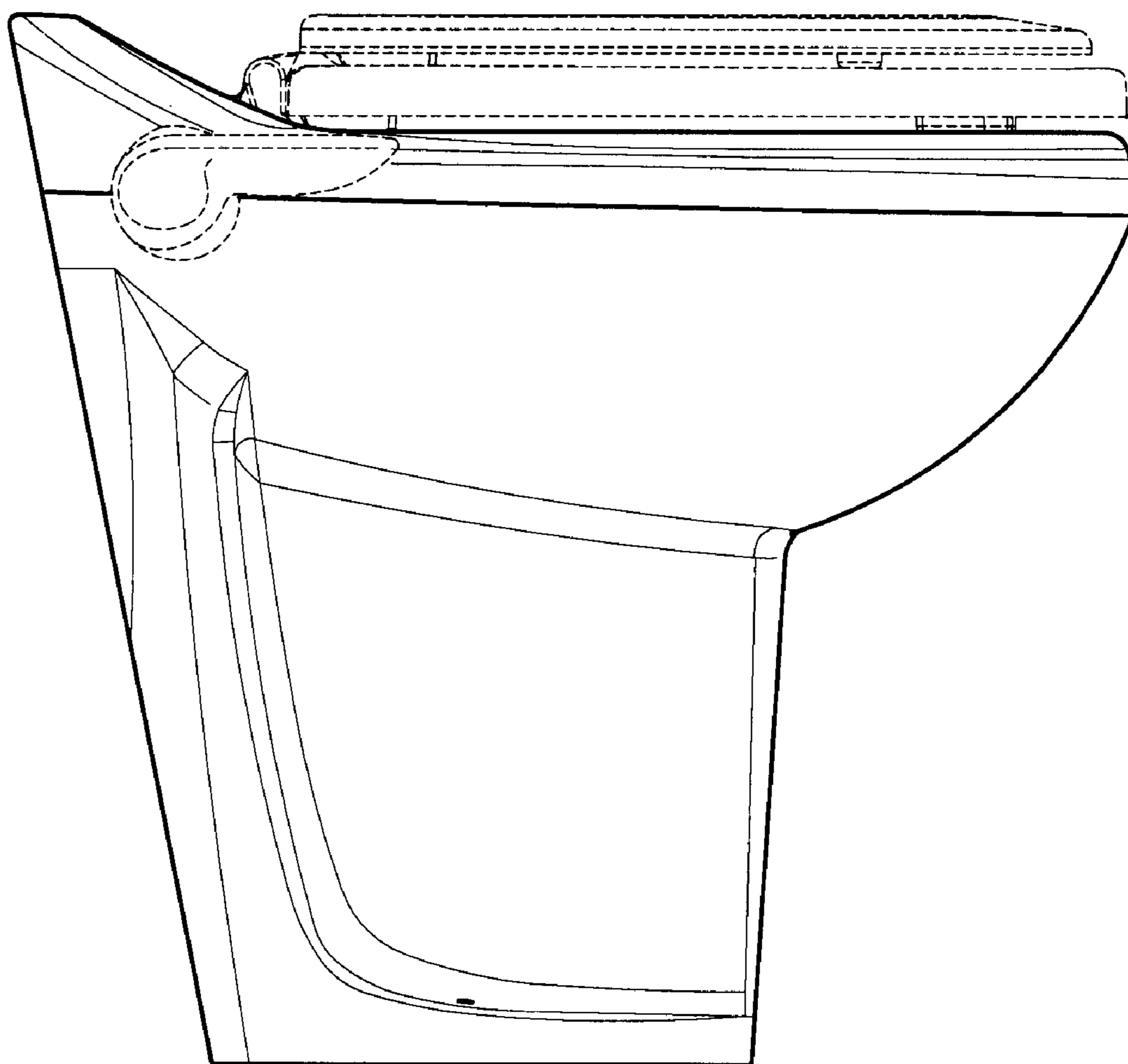
**FIG - 3**



**FIG - 4**



**FIG - 5**



**FIG - 6**