



US00D537149S

(12) **United States Design Patent**
Douglass et al.

(10) **Patent No.:** **US D537,149 S**
(45) **Date of Patent:** **** Feb. 20, 2007**

(54) **SINK**

D501,674 S 2/2005 Adkison

(75) Inventors: **John Michael Douglass**, Algonquin, IL (US); **Deborah Marie Lonneman**, Lombard, IL (US)

(73) Assignee: **Elkay Manufacturing Company**, Oak Brook, IL (US)

(**) Term: **14 Years**

(21) Appl. No.: **29/227,071**

(22) Filed: **Apr. 6, 2005**

(51) **LOC (8) Cl.** **23-02**

(52) **U.S. Cl.** **D23/284**

(58) **Field of Classification Search** D23/270–271,
D23/273, 284–287, 291, 293.1, 303, 308;
4/619, 624–625, 630, 661, DIG. 15; D21/524;
D32/53.1

See application file for complete search history.

(56) **References Cited**

U.S. PATENT DOCUMENTS

D179,031 S	*	10/1956	Parker	D23/287
D260,924 S	*	9/1981	Hurray	D23/284
D302,614 S	*	8/1989	Beatty	D32/53.1
D468,815 S		1/2003	Kahle et al.		
D474,835 S	*	5/2003	Kahle et al.	D23/284

OTHER PUBLICATIONS

NEO–METRO, “Deep Ebb Basin,” (Nov. 15, 2004).
NEO–METRO, “Shallow Ebb Basin,” (Nov. 15, 2004).
NEO–METRO, “Symmetric Ebb Basin,” (Jul. 25, 2005).
NEO–METRO, “The Neo–Metro Collection—Ebb Basin,”
retrieved from http://www.neo-metro.com/basins_ebb.html
on Aug. 8, 2005.

* cited by examiner

Primary Examiner—Robert A. Delehanty

(74) *Attorney, Agent, or Firm*—Leydig, Voit & Mayer, Ltd

(57) **CLAIM**

The ornamental design for a sink, as shown and described.

DESCRIPTION

FIG. 1 is a perspective view taken from the top, front and right side of a sink showing our new design;
FIG. 2 is a top plan view of the sink shown in FIG. 1;
FIG. 3 is a front side view of the sink shown in FIG. 1;
FIG. 4 is a rear side view of the sink shown in FIG. 1;
FIG. 5 is a left side view of the sink shown in FIG. 1; and,
FIG. 6 is a right side view of the sink shown in FIG. 1.
The broken lines are for illustration purposes only and form no part of the claimed design.

1 Claim, 4 Drawing Sheets

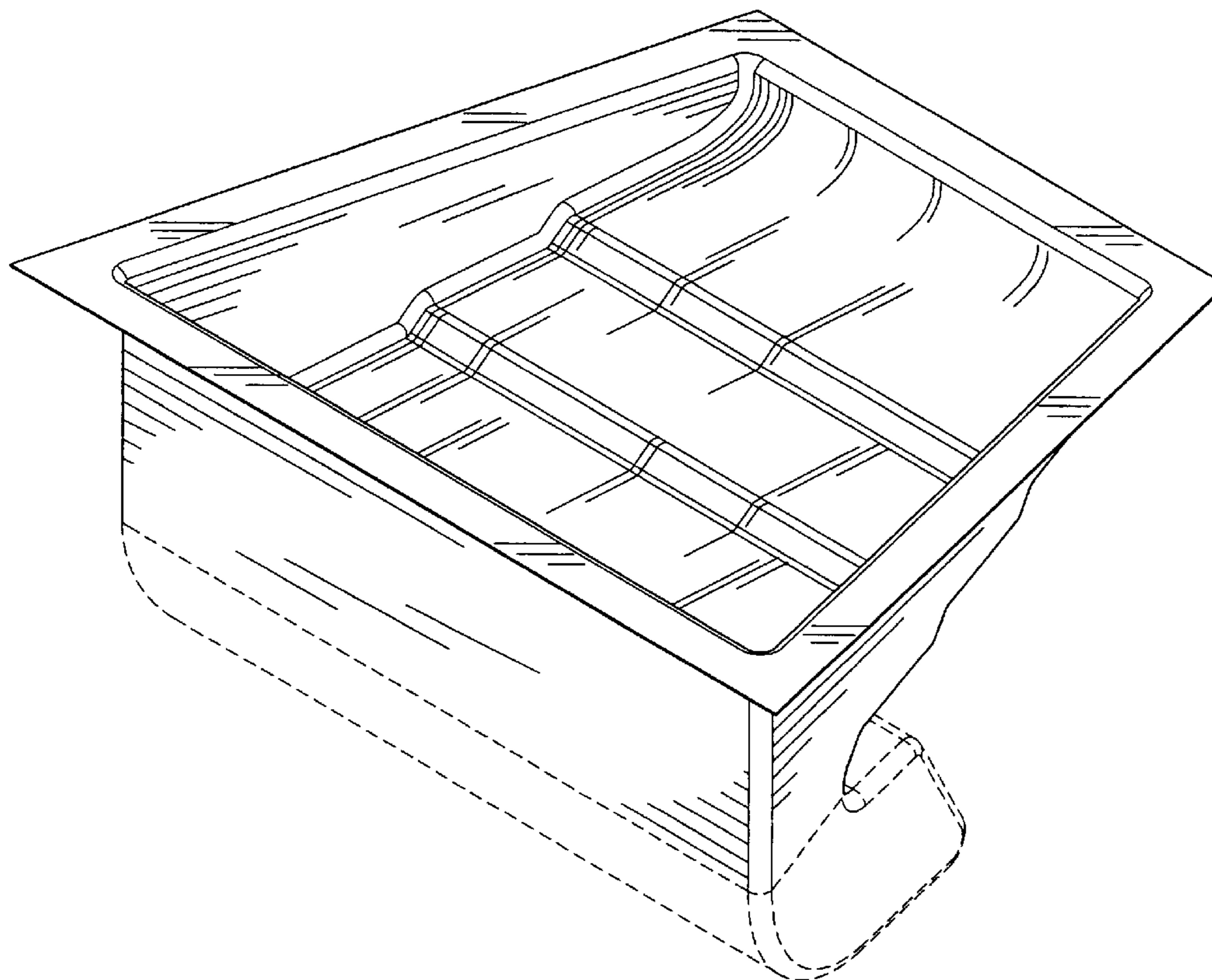


FIG. 1

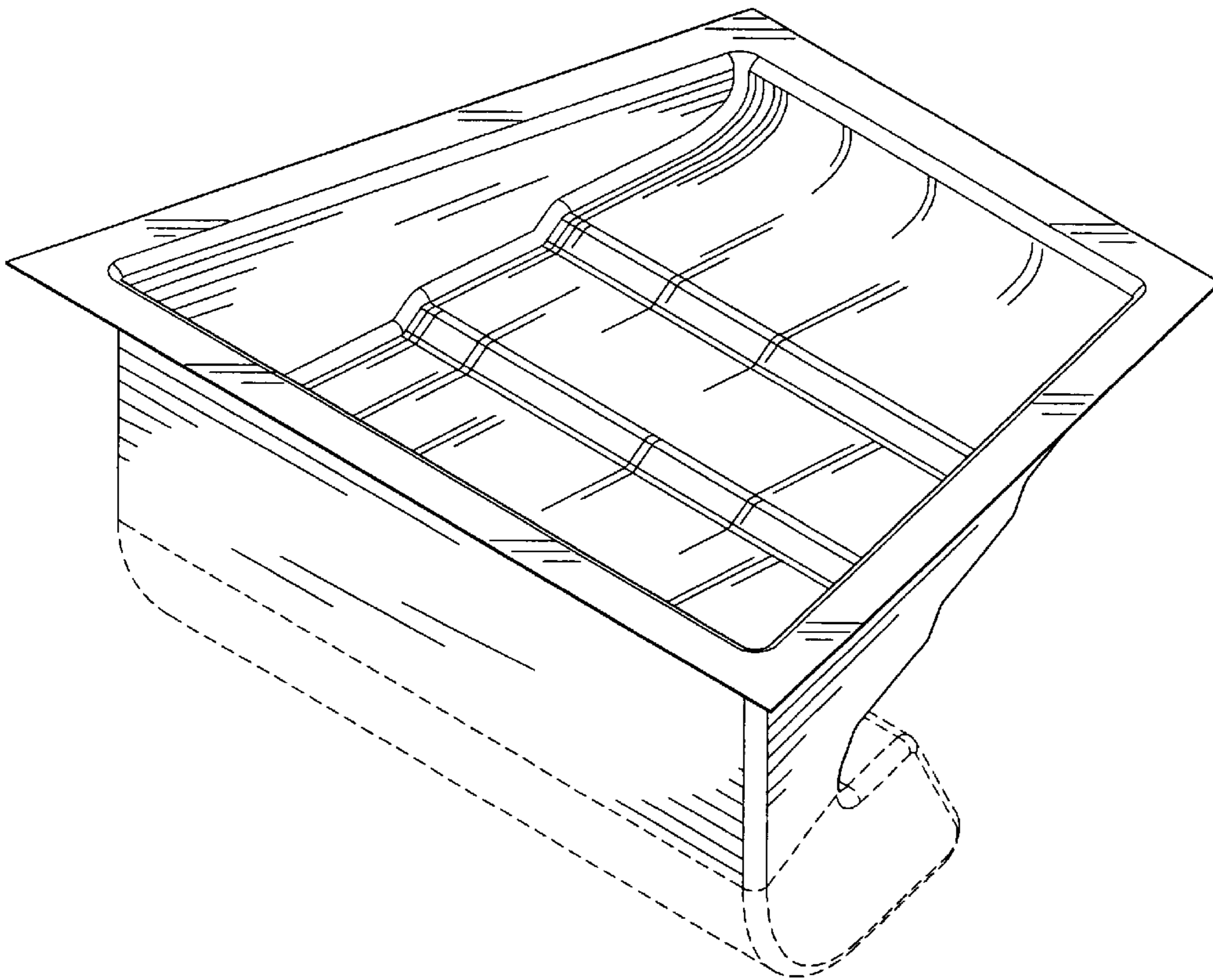


FIG. 2

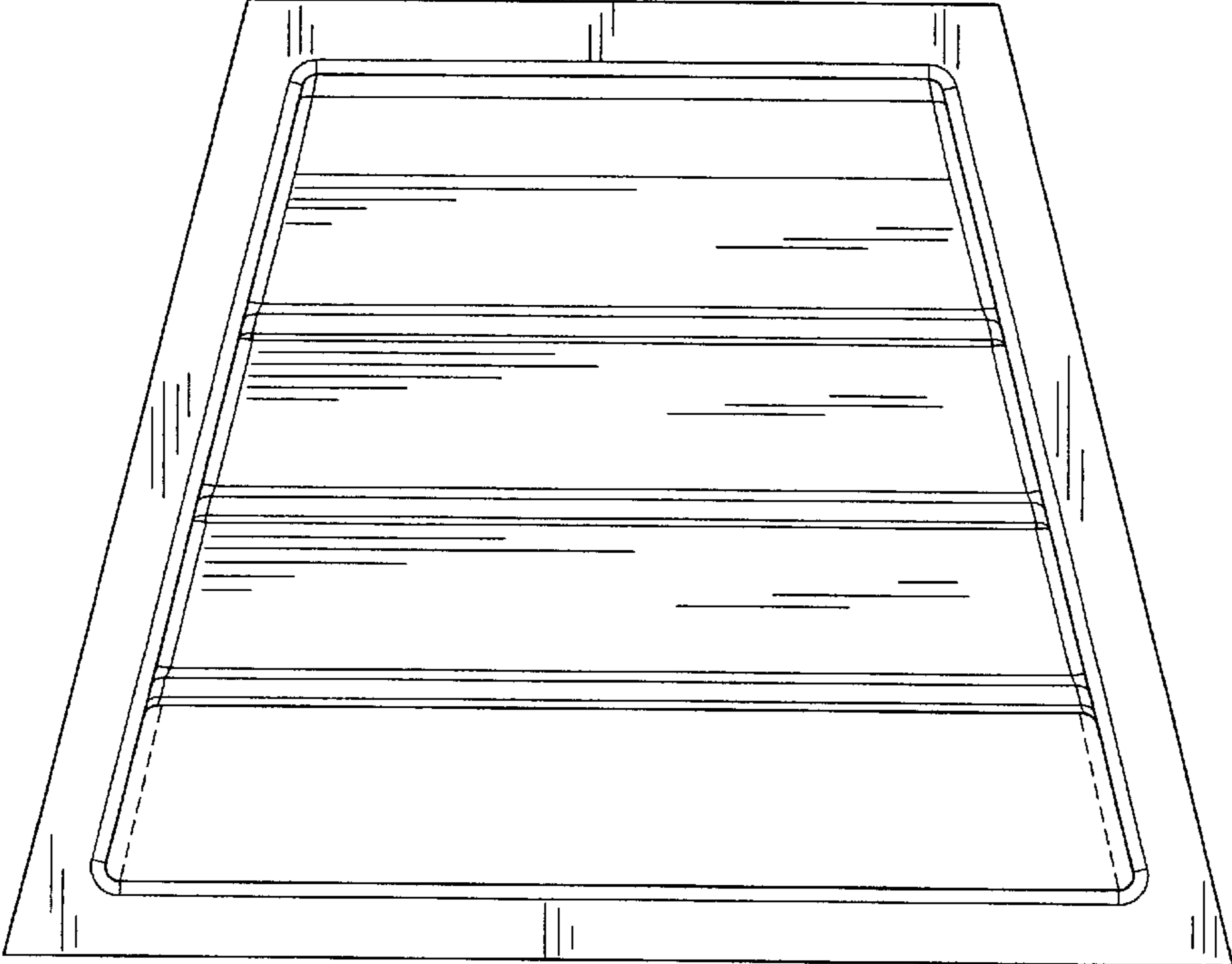


FIG. 3

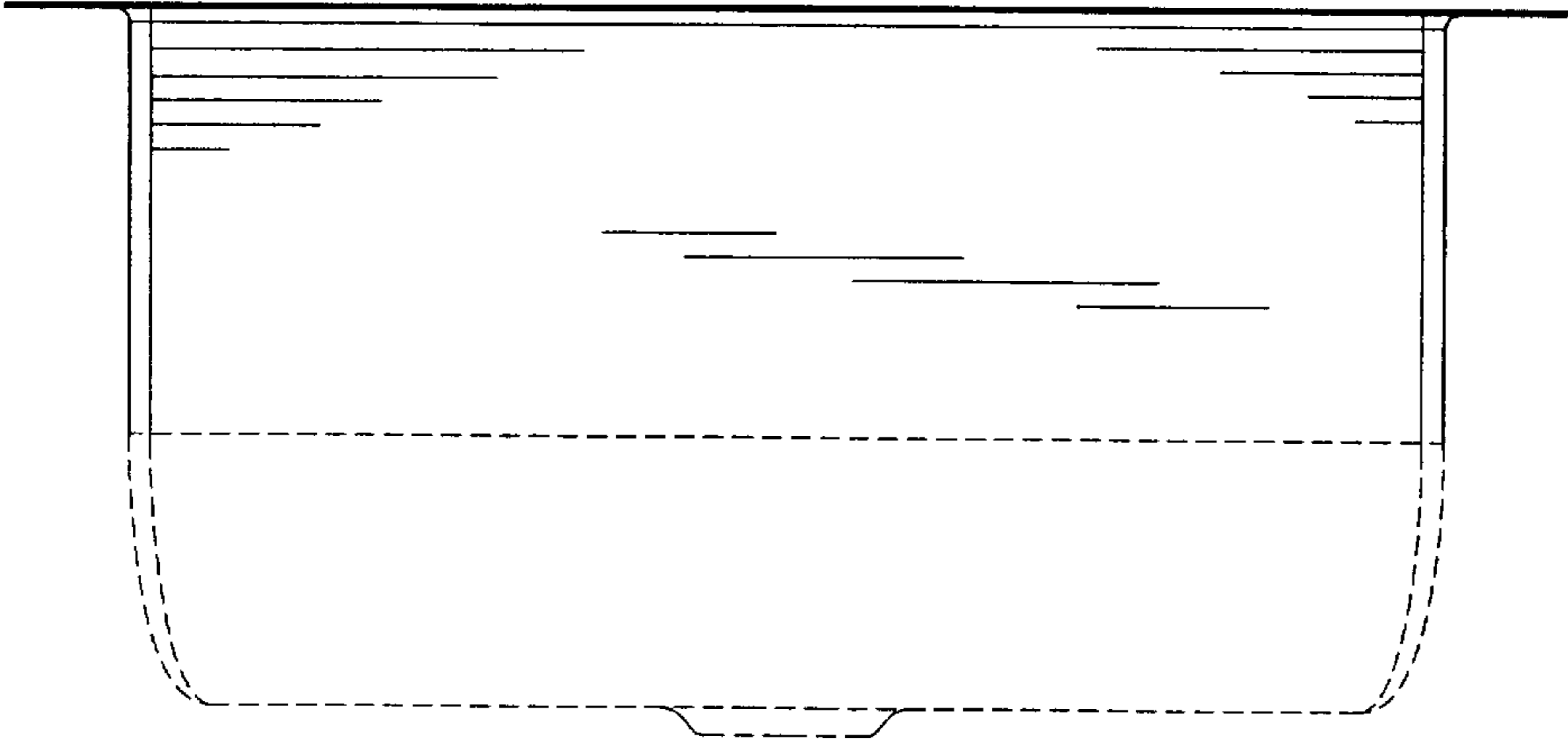


FIG. 4

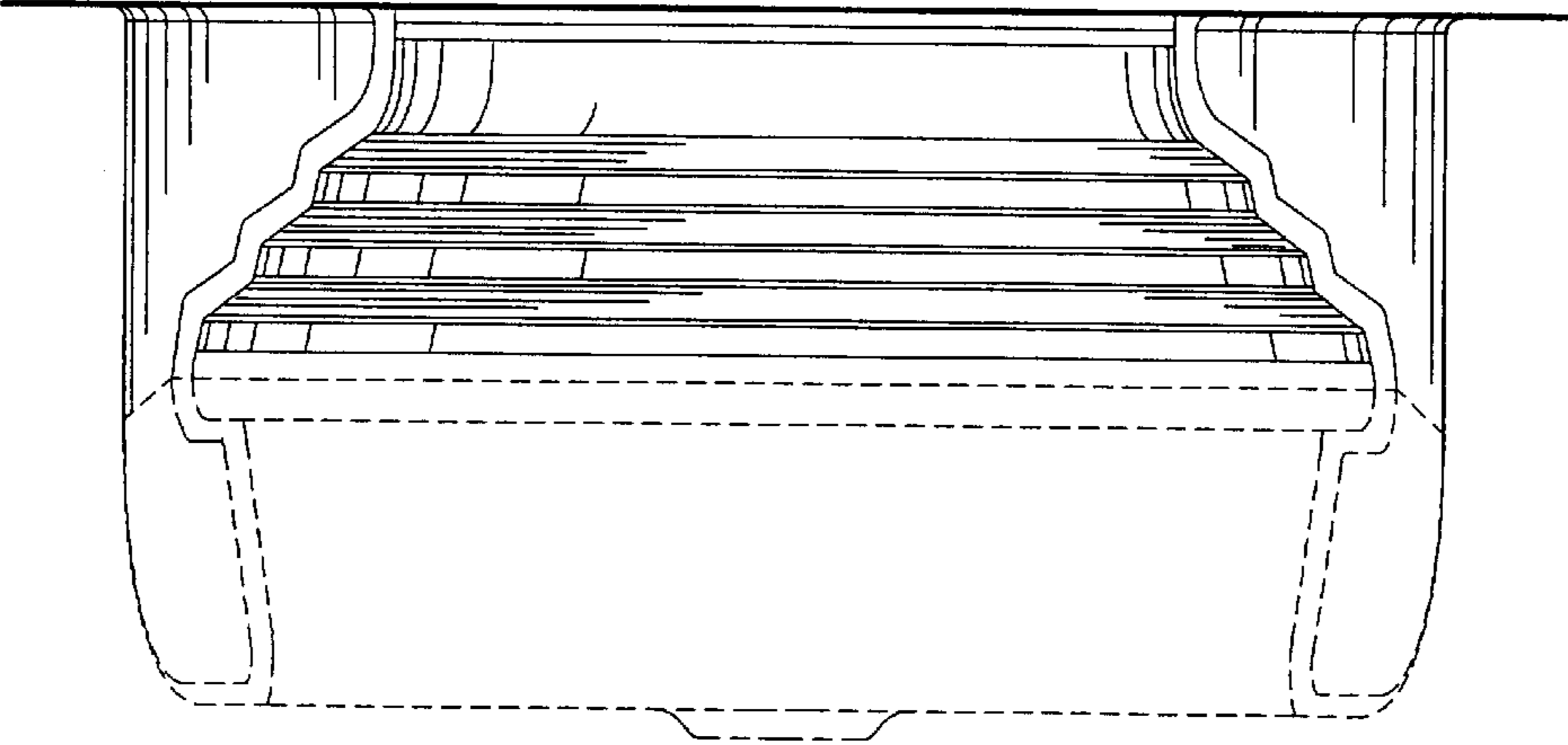


FIG. 5

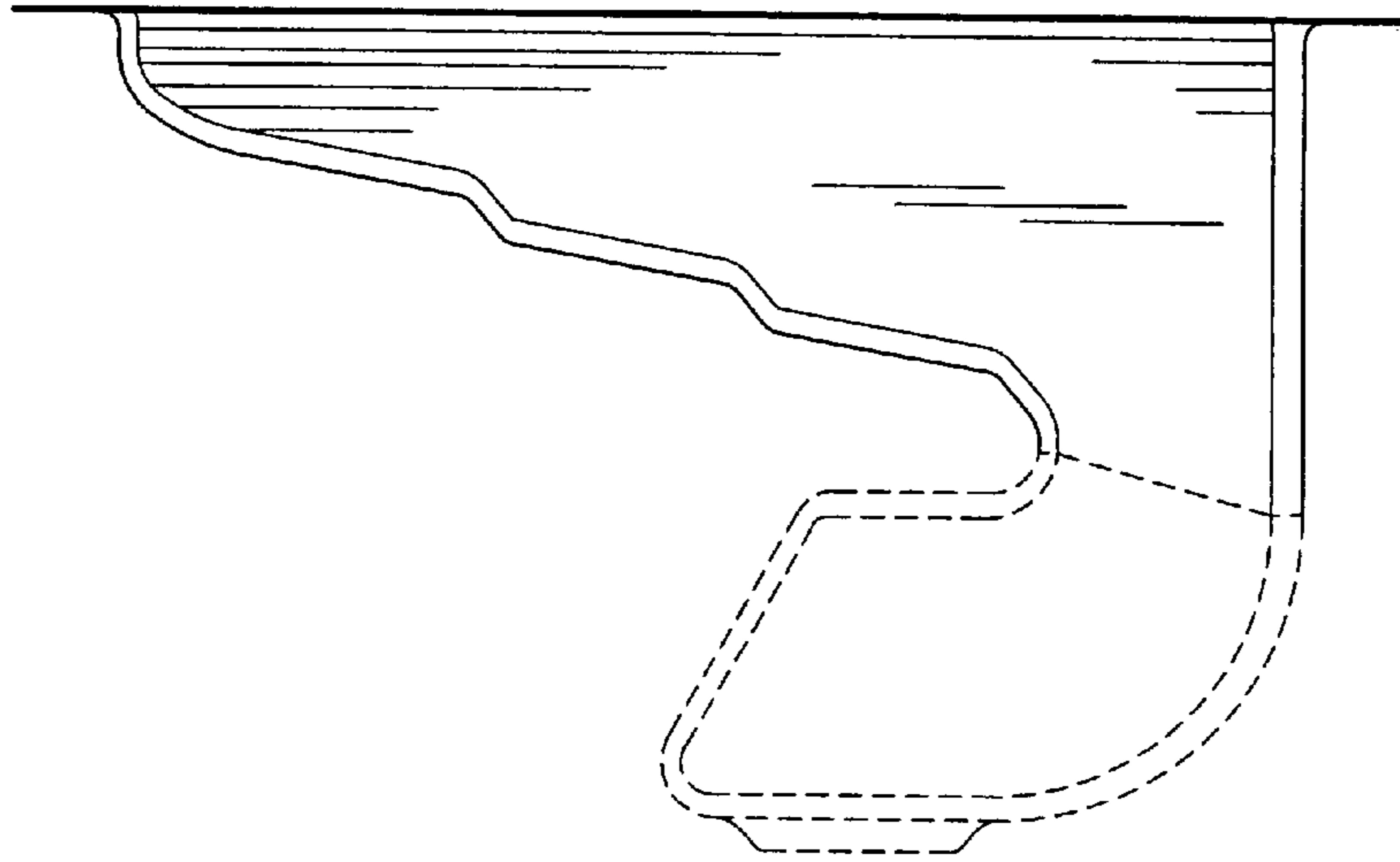


FIG. 6

