



US00D537145S

(12) **United States Design Patent**
Huang

(10) **Patent No.:** **US D537,145 S**

(45) **Date of Patent:** **** Feb. 20, 2007**

(54) **CEMENT SPRAY GUN BODY**

D459,438 S * 6/2002 Knowles D23/225
D510,609 S * 10/2005 Huang D23/223

(76) Inventor: **Tiao-Hsiang Huang**, No. 190, Chung Cheng St., Shin Chuang City, Taipei Hsien (TW)

* cited by examiner

(**) Term: **14 Years**

Primary Examiner—Robin Webster

(74) *Attorney, Agent, or Firm*—Rosenberg, Klein & Lee

(21) Appl. No.: **29/235,891**

(57) **CLAIM**

(22) Filed: **Aug. 9, 2005**

I claim, the ornamental design for a cement spray gun body, as shown and described.

(51) **LOC (8) Cl.** **23-01**

DESCRIPTION

(52) **U.S. Cl.** **D23/226**

(58) **Field of Classification Search** D23/213,
D23/223, 225-6; 239/525-527, 302; 361/227-8
See application file for complete search history.

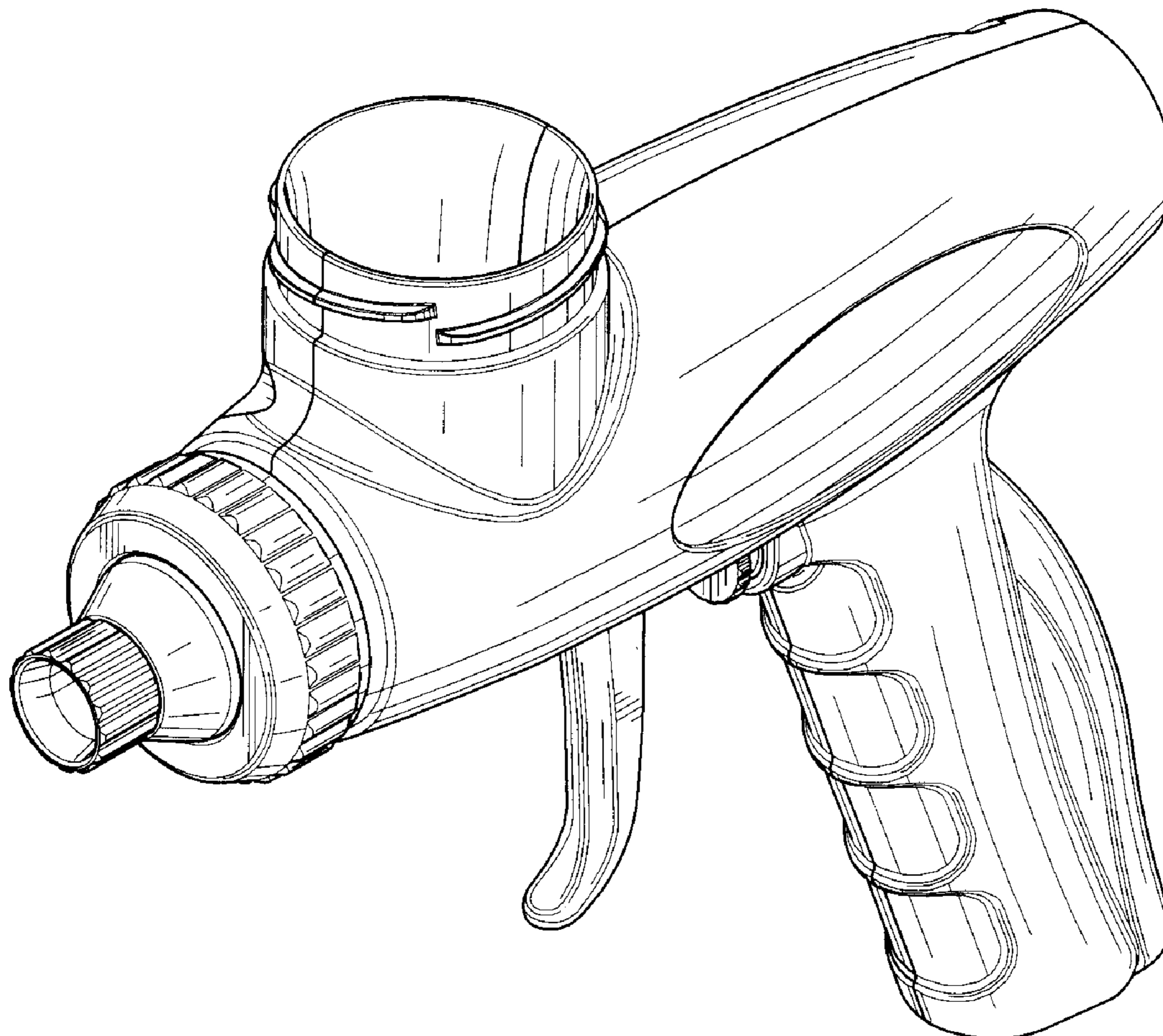
FIG. 1 is a perspective view of a cement spray gun body showing my present design;
FIG. 2 is a front view thereof;
FIG. 3 is a rear view thereof;
FIG. 4 is a left view thereof;
FIG. 5 is a right view thereof;
FIG. 6 is a top plan view thereof; and,
FIG. 7 is a bottom plan view.

(56) **References Cited**

U.S. PATENT DOCUMENTS

D220,179 S * 3/1971 Farnsteiner D23/225
5,727,736 A * 3/1998 Tryon 239/345
D449,672 S * 10/2001 Chen D23/226

1 Claim, 5 Drawing Sheets



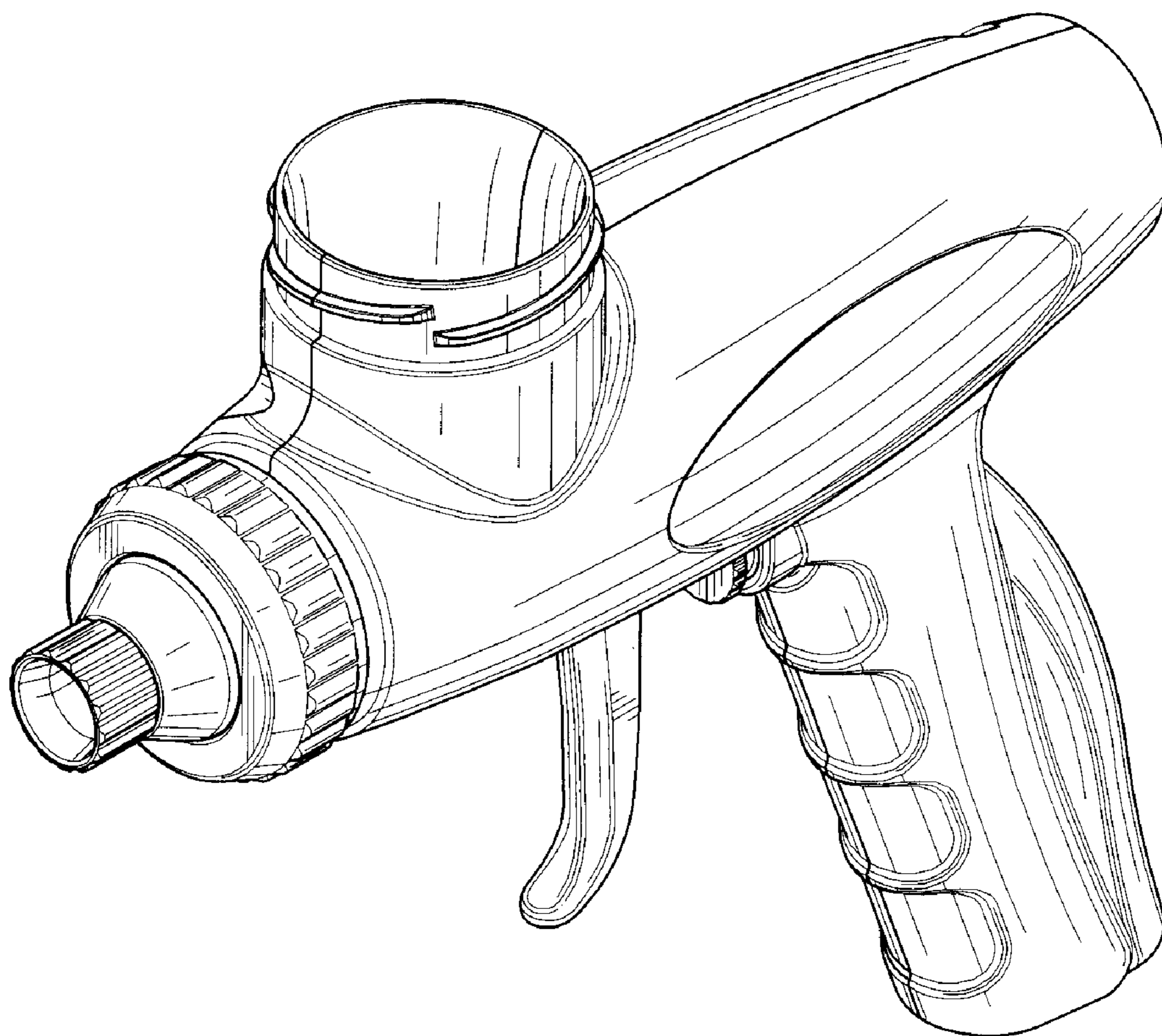


FIG. 1

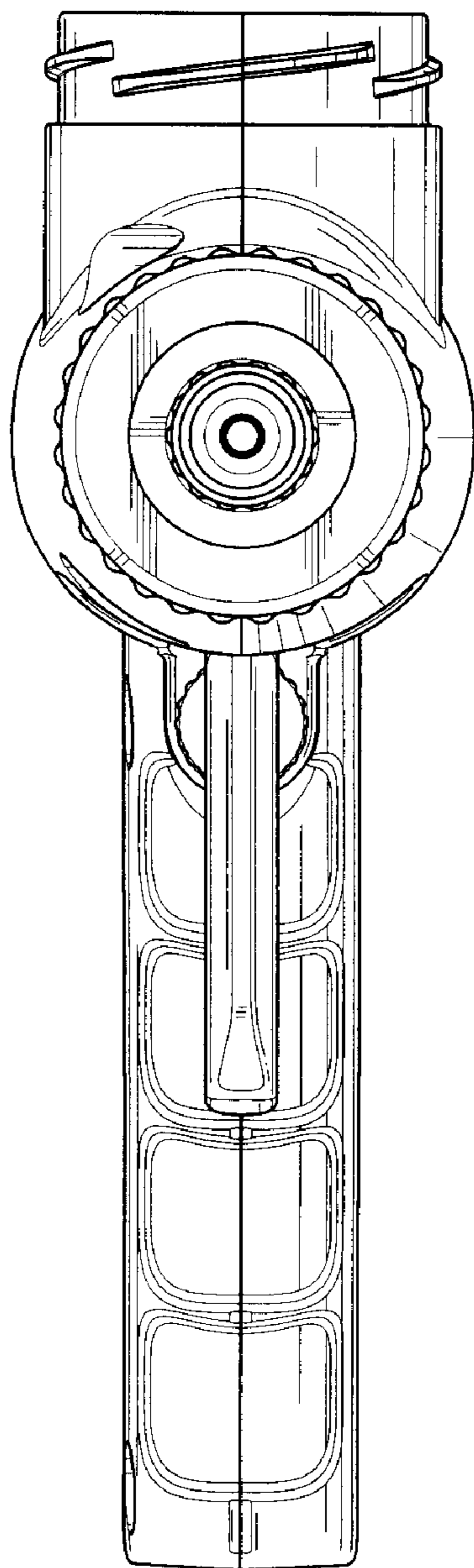


FIG. 2

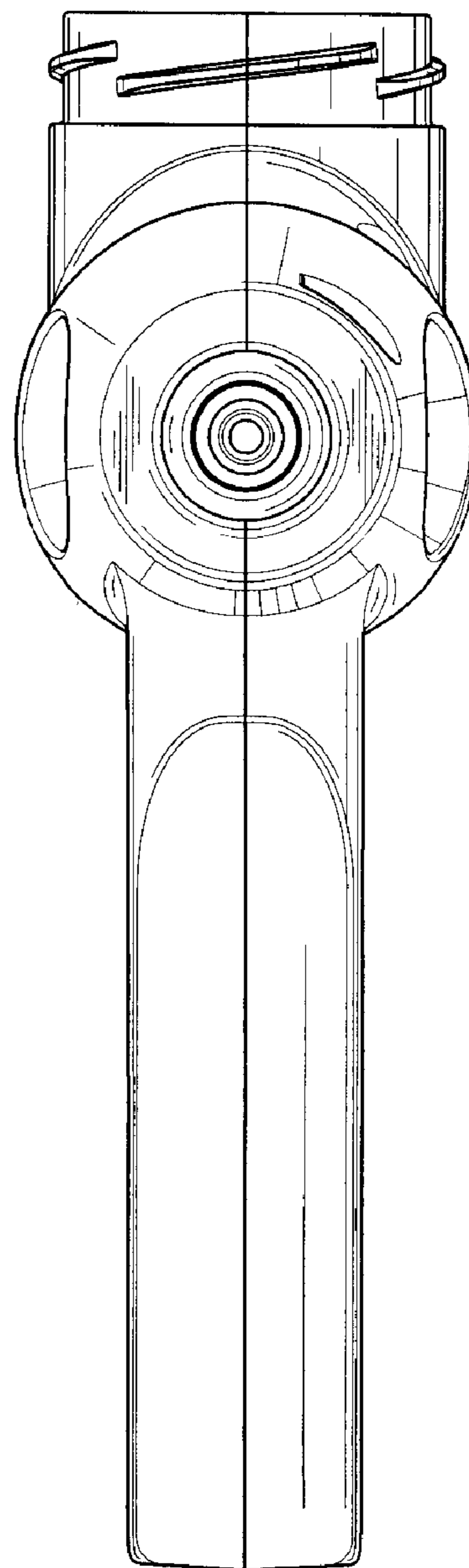


FIG. 3

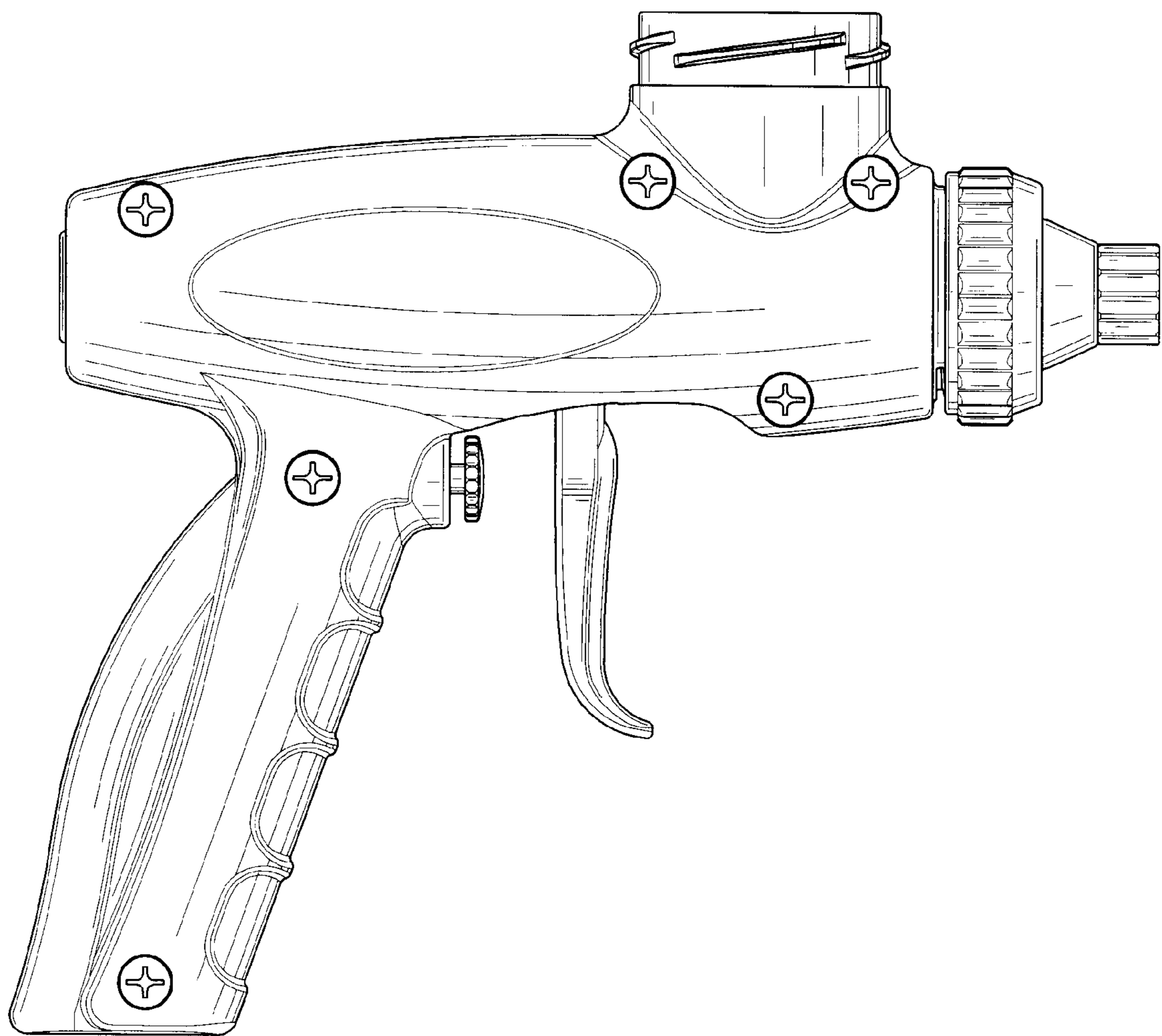


FIG . 4

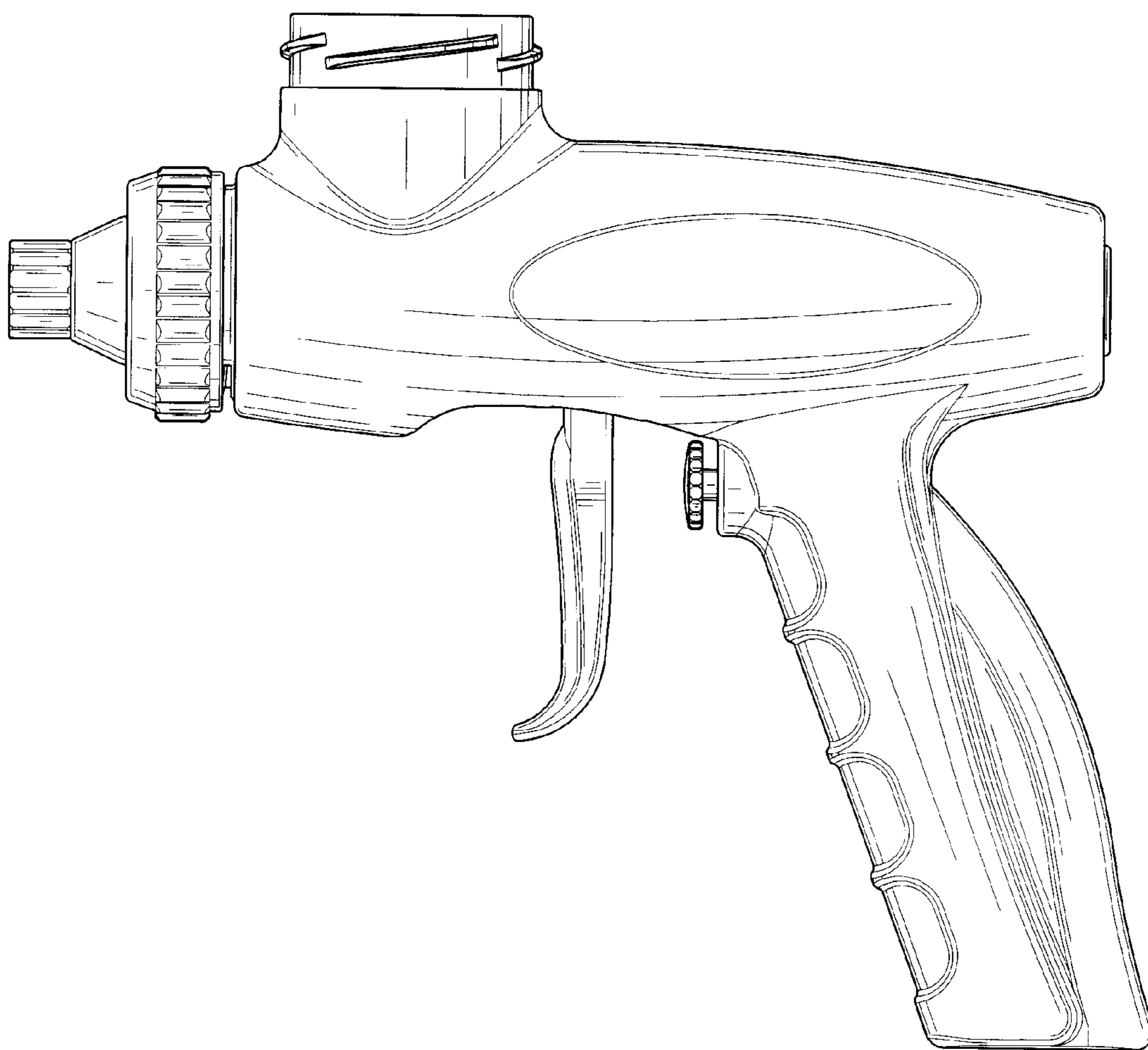


FIG. 5

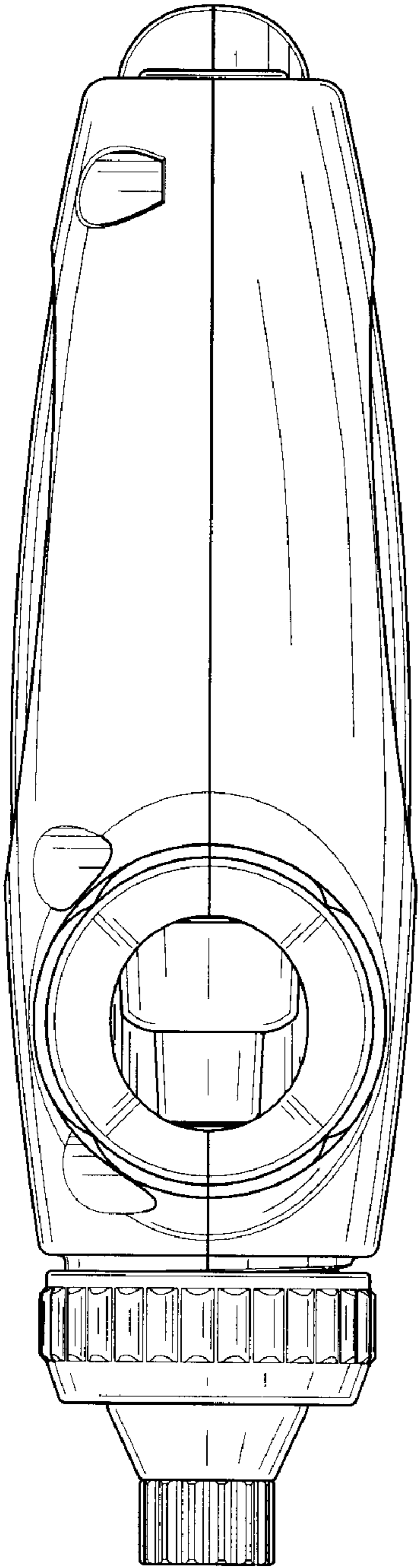


FIG. 6

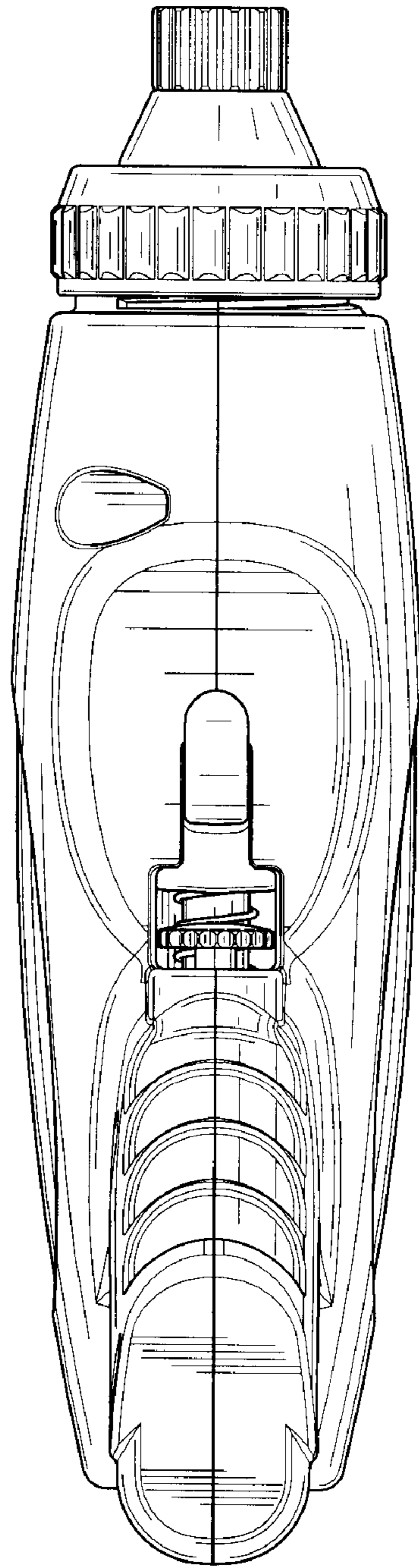


FIG. 7