



US00D537144S

(12) **United States Design Patent**
Harrell

(10) **Patent No.:** **US D537,144 S**

(45) **Date of Patent:** **** Feb. 20, 2007**

(54) **JIG FISH LURE**

D406,309 S * 3/1999 Hart D22/126
D494,226 S * 8/2004 Perez D22/115
D518,139 S * 3/2006 Lester D22/126

(76) Inventor: **Eric A. Harrell**, 108 Fox La., Pickens,
SC (US) 29671

* cited by examiner

(**) Term: **14 Years**

Primary Examiner—Catherin R. Oliver

(74) *Attorney, Agent, or Firm*—Richard C. Litman

(21) Appl. No.: **29/253,577**

(57) **CLAIM**

(22) Filed: **Feb. 9, 2006**

The ornamental design for a jig fish lure, as shown and described.

(51) **LOC (8) Cl.** **22-05**

(52) **U.S. Cl.** **D22/144**

(58) **Field of Classification Search** D22/144–146,
D22/125–133, 115; D21/711; 43/43.39, 42.45,
43/42.24, 42.26, 42.28, 42.31, 42.32
See application file for complete search history.

DESCRIPTION

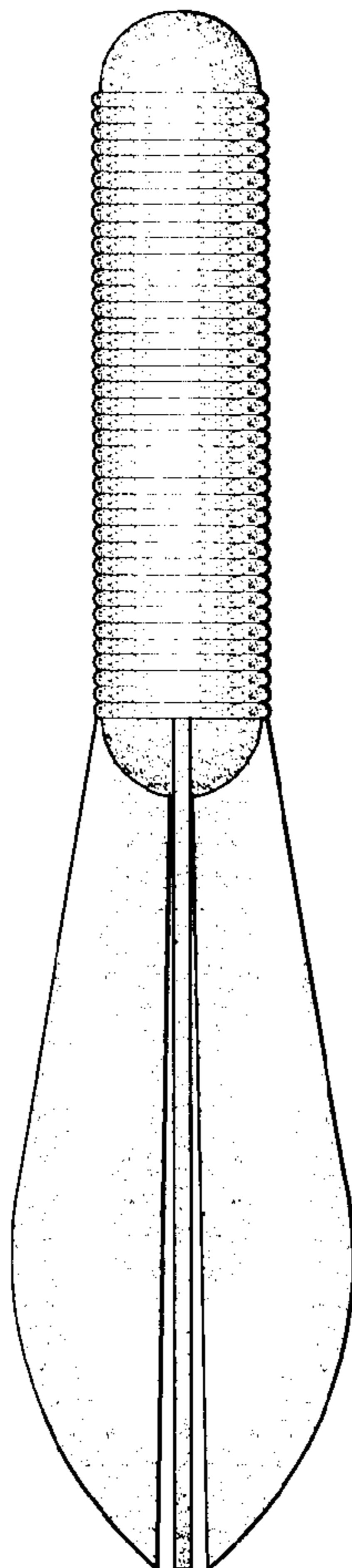
FIG. 1 is a front elevational view, with the rear and sides being identical, of a jig fish lure showing my new design; FIG. 2 is a top plan view thereof; FIG. 3 is a bottom plan view thereof; and, FIG. 4 is an environmental perspective view thereof. The broken line showing of the fishing apparatus in FIG. 4 is for illustrative purposes only and forms no part of the claimed design.

(56) **References Cited**

U.S. PATENT DOCUMENTS

D146,460 S * 3/1947 Bentley D21/711
2,892,281 A 6/1959 Schilling et al. 43/42.36
3,890,692 A * 6/1975 Jandura, Jr. D22/115

1 Claim, 2 Drawing Sheets



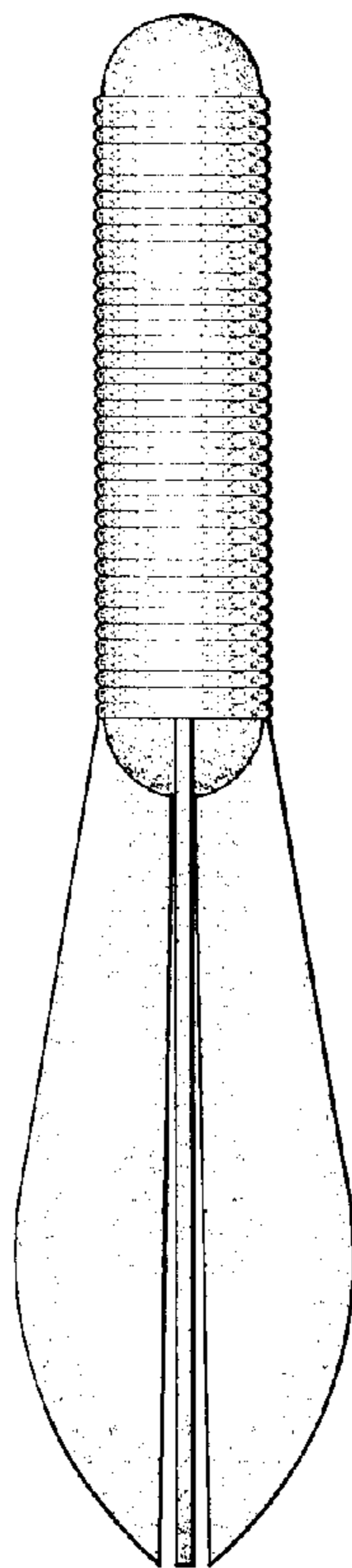


Fig. 1

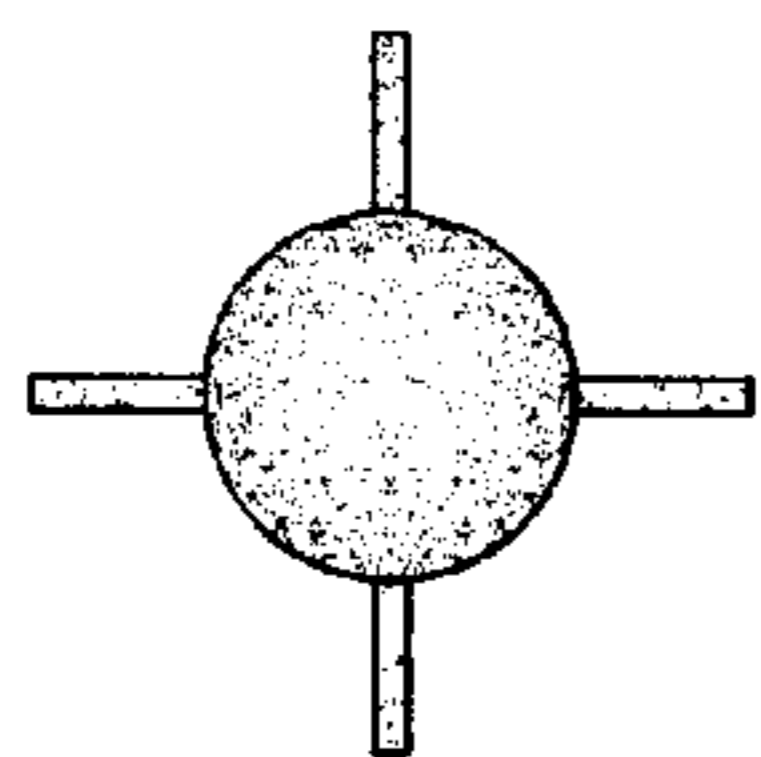


Fig. 2

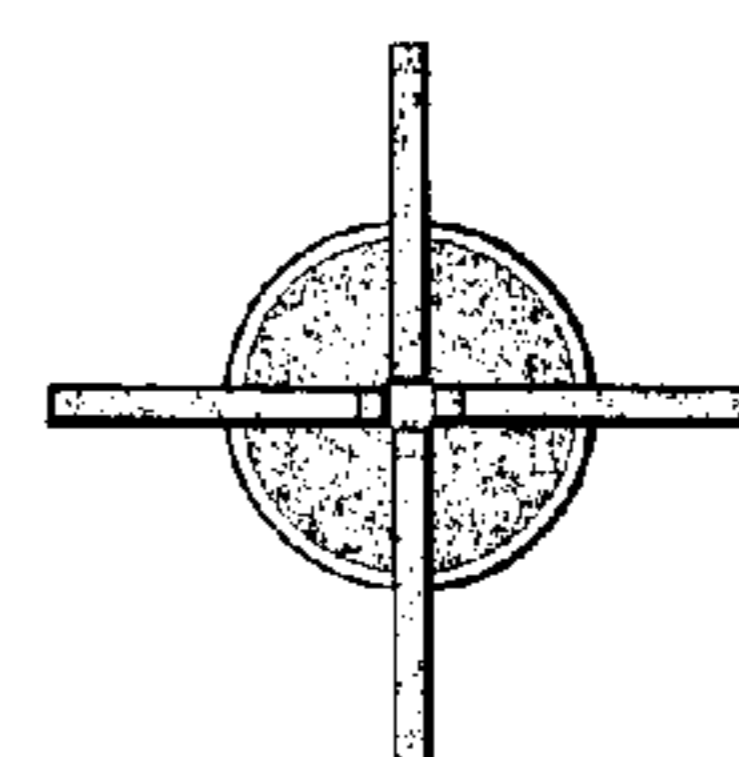


Fig. 3

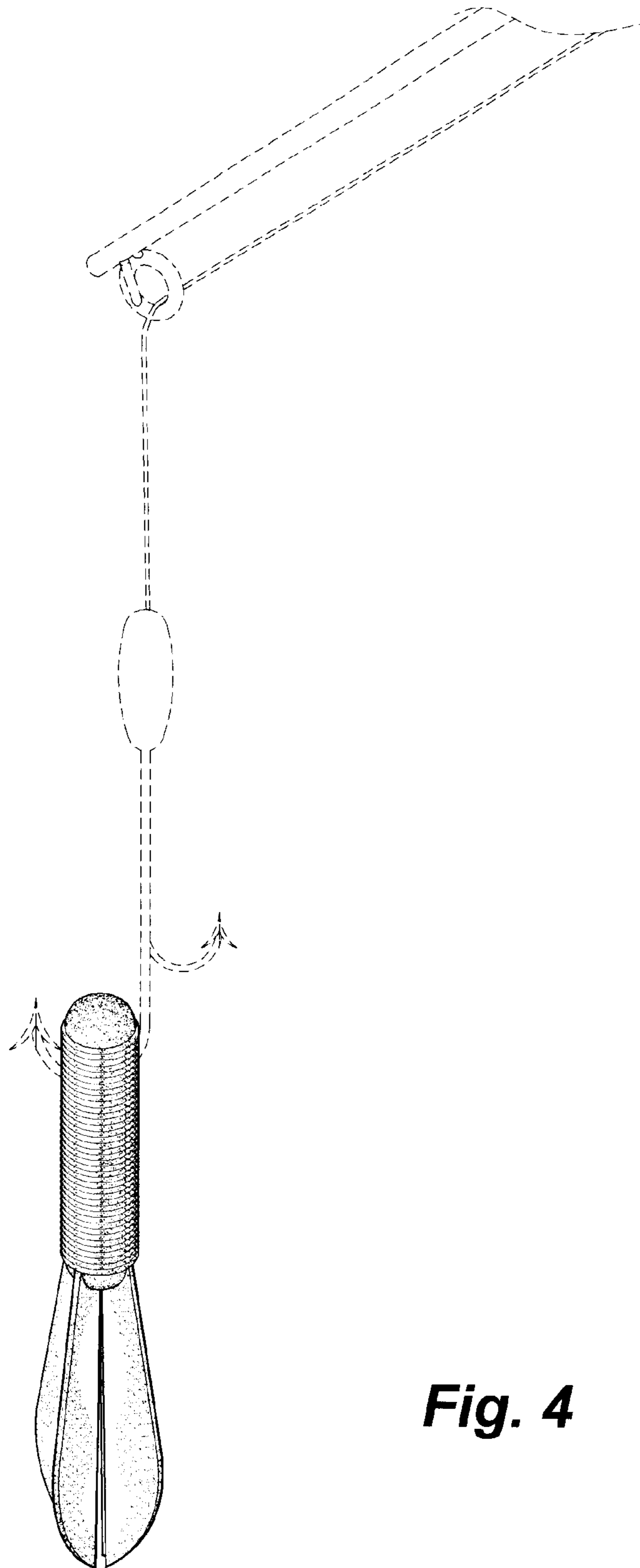


Fig. 4