



US00D537143S

(12) **United States Design Patent** (10) **Patent No.:** **US D537,143 S**  
**Farchione et al.** (45) **Date of Patent:** **\*\* Feb. 20, 2007**

(54) **TRIGGER LOCK**

(75) Inventors: **Thomas Joseph Farchione**, Pittsford, NY (US); **Patrick Farchione, Jr.**, E. Rochester, NY (US)

(73) Assignee: **Regal Industrial Sales, Inc.**, Victor, NY (US)

(\*\*) Term: **14 Years**

(21) Appl. No.: **29/248,629**

(22) Filed: **Aug. 24, 2006**

(51) **LOC (8) Cl.** ..... **22-01**

(52) **U.S. Cl.** ..... **D22/108**

(58) **Field of Classification Search** ..... D22/100, D22/108, 199; 42/44, 66, 70.02, 70.04, 70.06, 42/70.007, 70.11, 156; 70/58, 63, 202, 211, 70/312; 89/136, 27.12

See application file for complete search history.

(56) **References Cited**

**U.S. PATENT DOCUMENTS**

5,755,054	A	*	5/1998	Tuller	.....	42/70.07
D435,280	S	*	12/2000	Vicale	.....	D22/108
D443,014	S	*	5/2001	Vicale	.....	D22/108
D462,105	S	*	8/2002	Myers	.....	D22/108
D462,735	S	*	9/2002	Rohde et al.	.....	D22/108

2004/0118029 A1 \* 6/2004 Pagnoncelli ..... 42/66

\* cited by examiner

*Primary Examiner*—Ian Simmons

*Assistant Examiner*—Melanie Levy

(74) *Attorney, Agent, or Firm*—Brown & Michaels, PC

(57) **CLAIM**

We claim the ornamental design for a trigger lock, as shown and described.

**DESCRIPTION**

FIG. 1 is a top perspective view of the assembled trigger lock of the invention.

FIG. 2 is a right side view of the assembled trigger lock of the invention.

FIG. 3 is a left side view of the assembled trigger lock of the invention.

FIG. 4 is back end view of the assembled trigger lock of the invention.

FIG. 5 is a front end view of the assembled trigger lock of the invention.

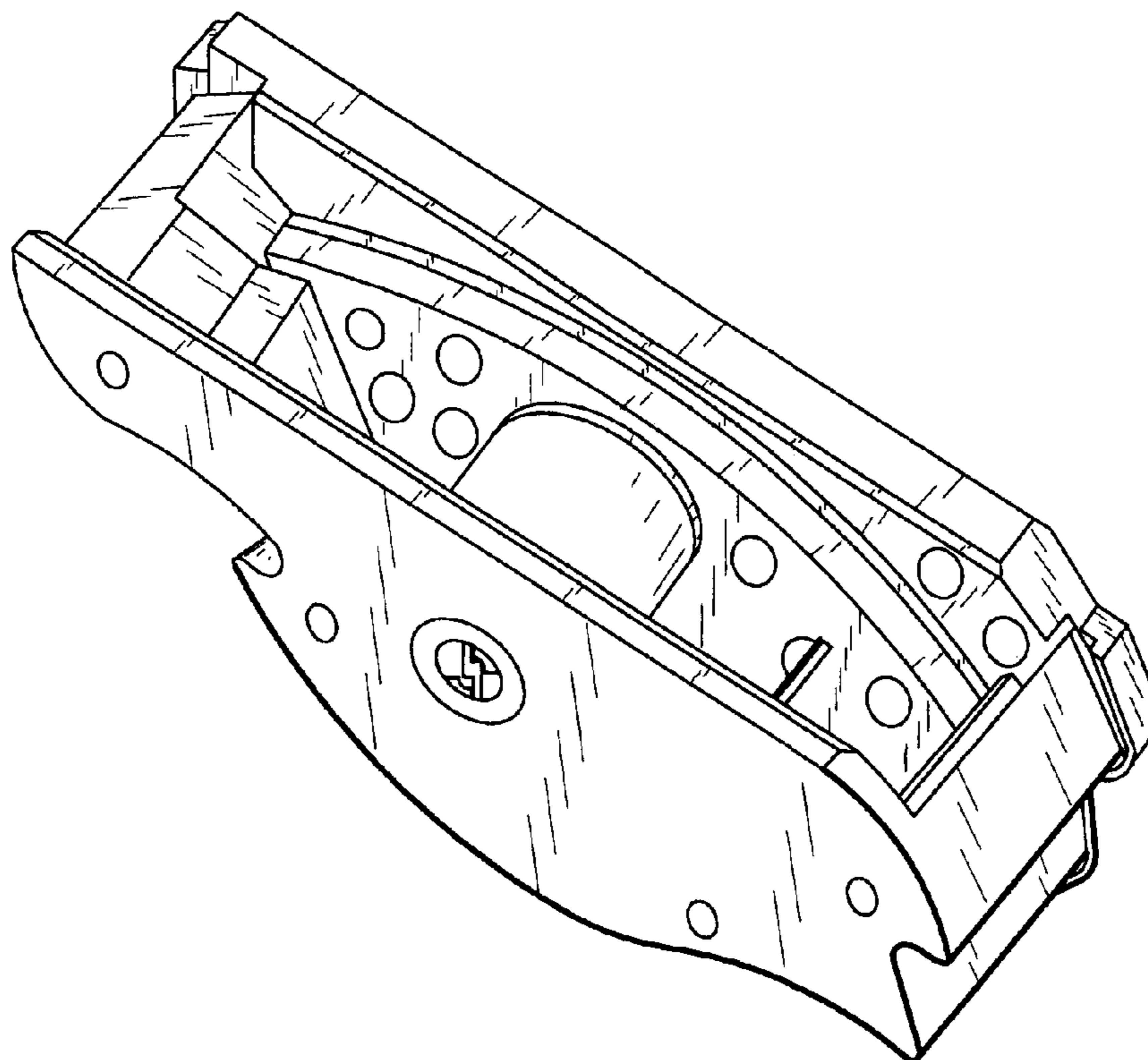
FIG. 6 is a view from above of the assembled trigger lock of the invention.

FIG. 7 is a view from below of the assembled trigger lock of the invention.

FIG. 8 is an inward side view of the left side of the trigger lock of the invention; and,

FIG. 9 is an inward side view of the right side of the trigger lock of the invention.

**1 Claim, 5 Drawing Sheets**



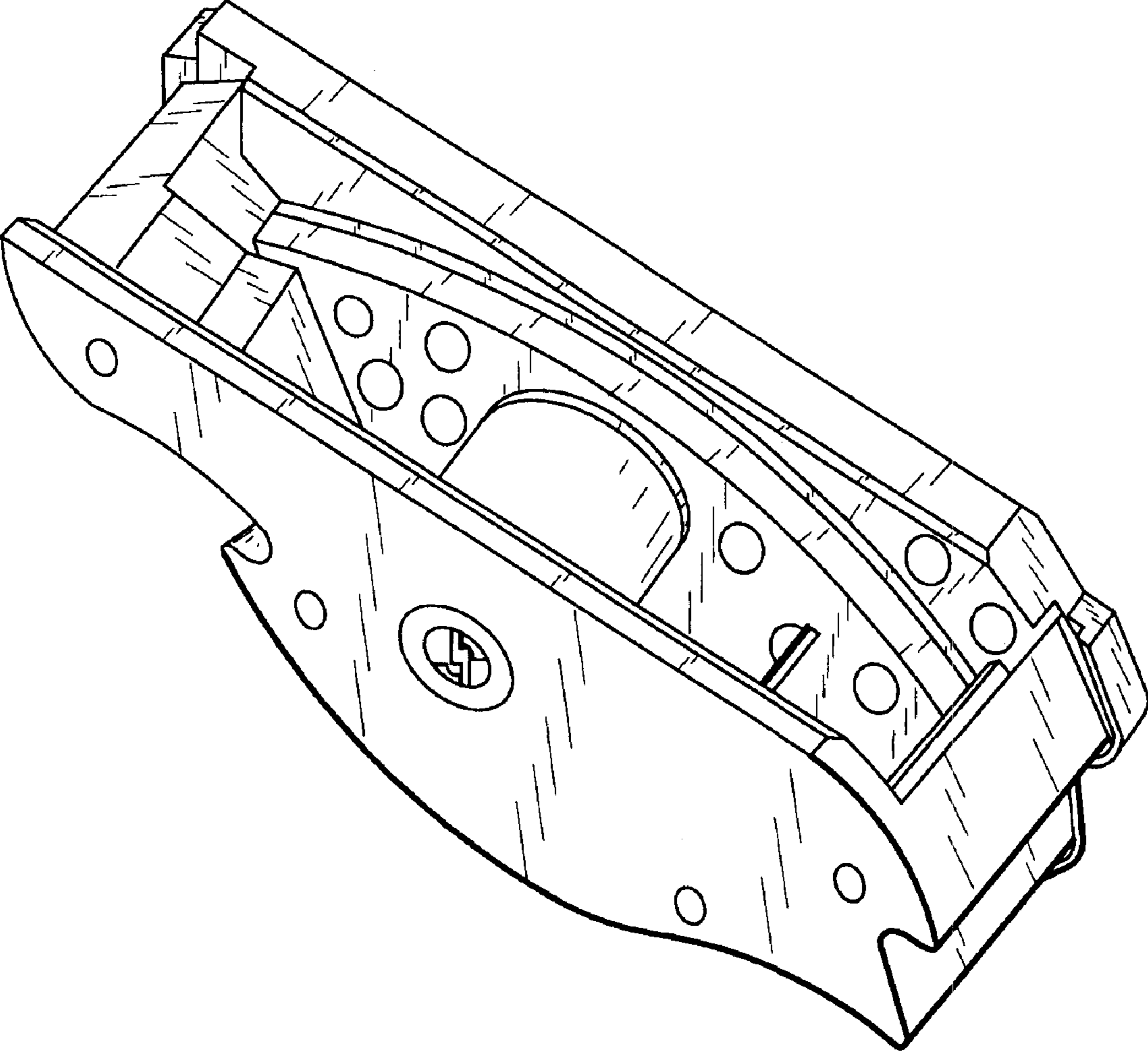
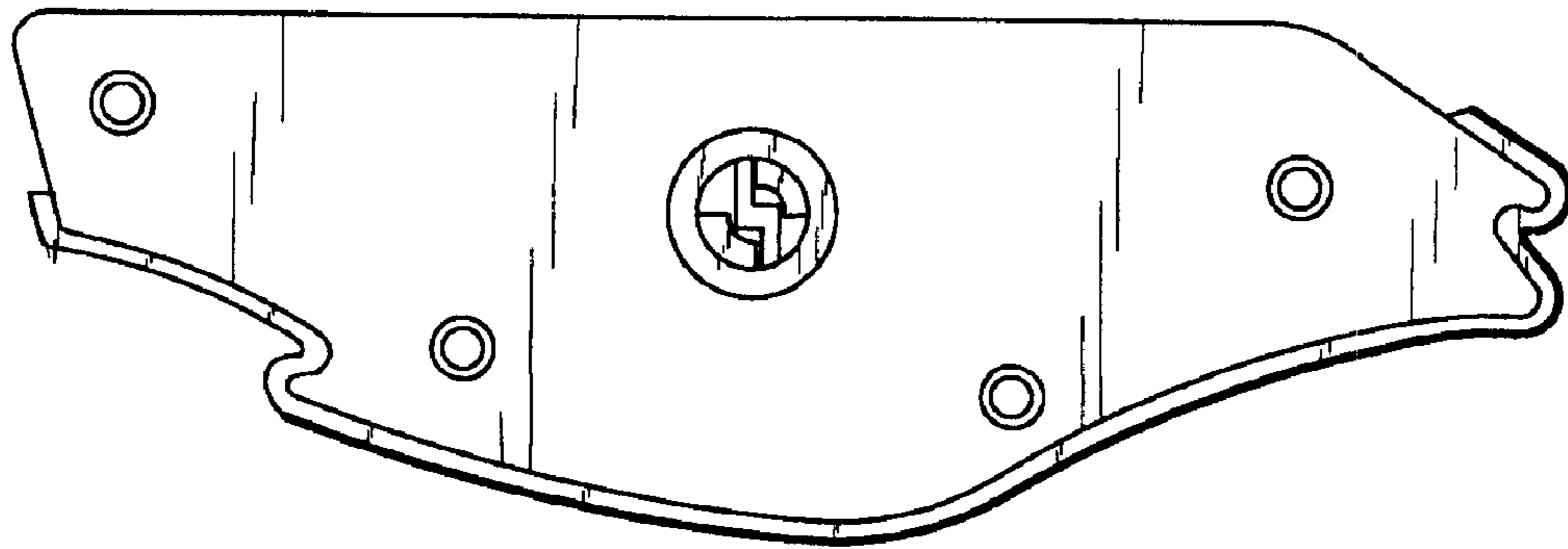
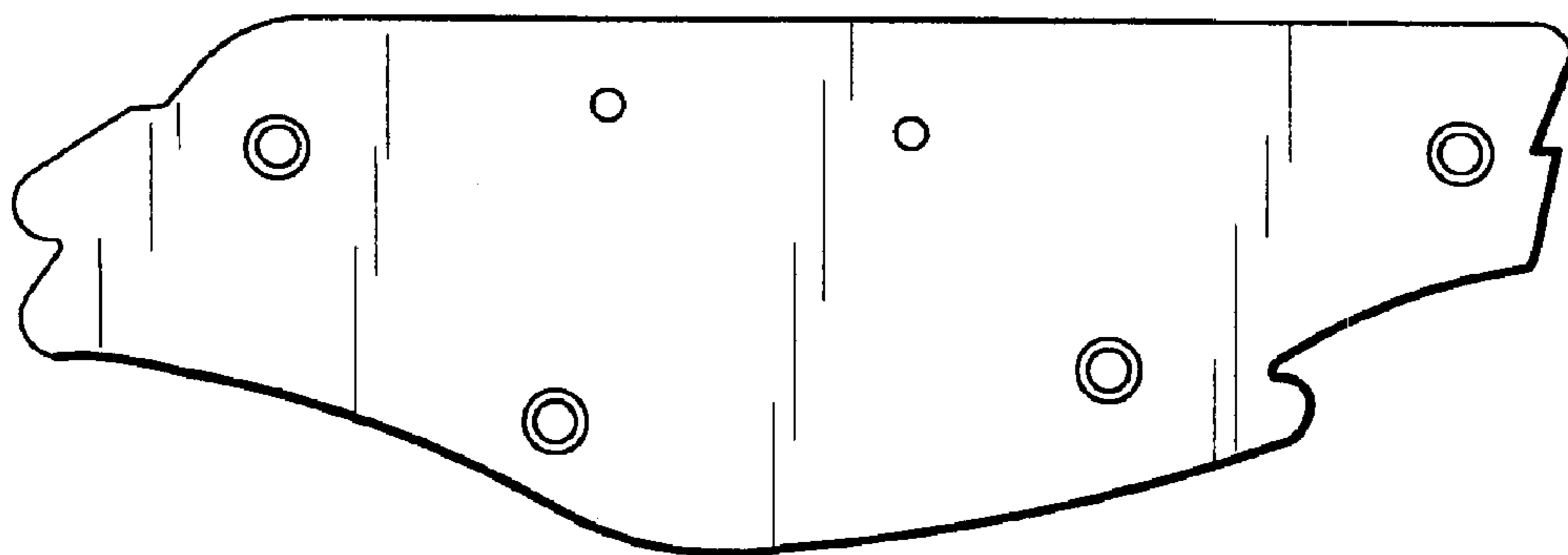


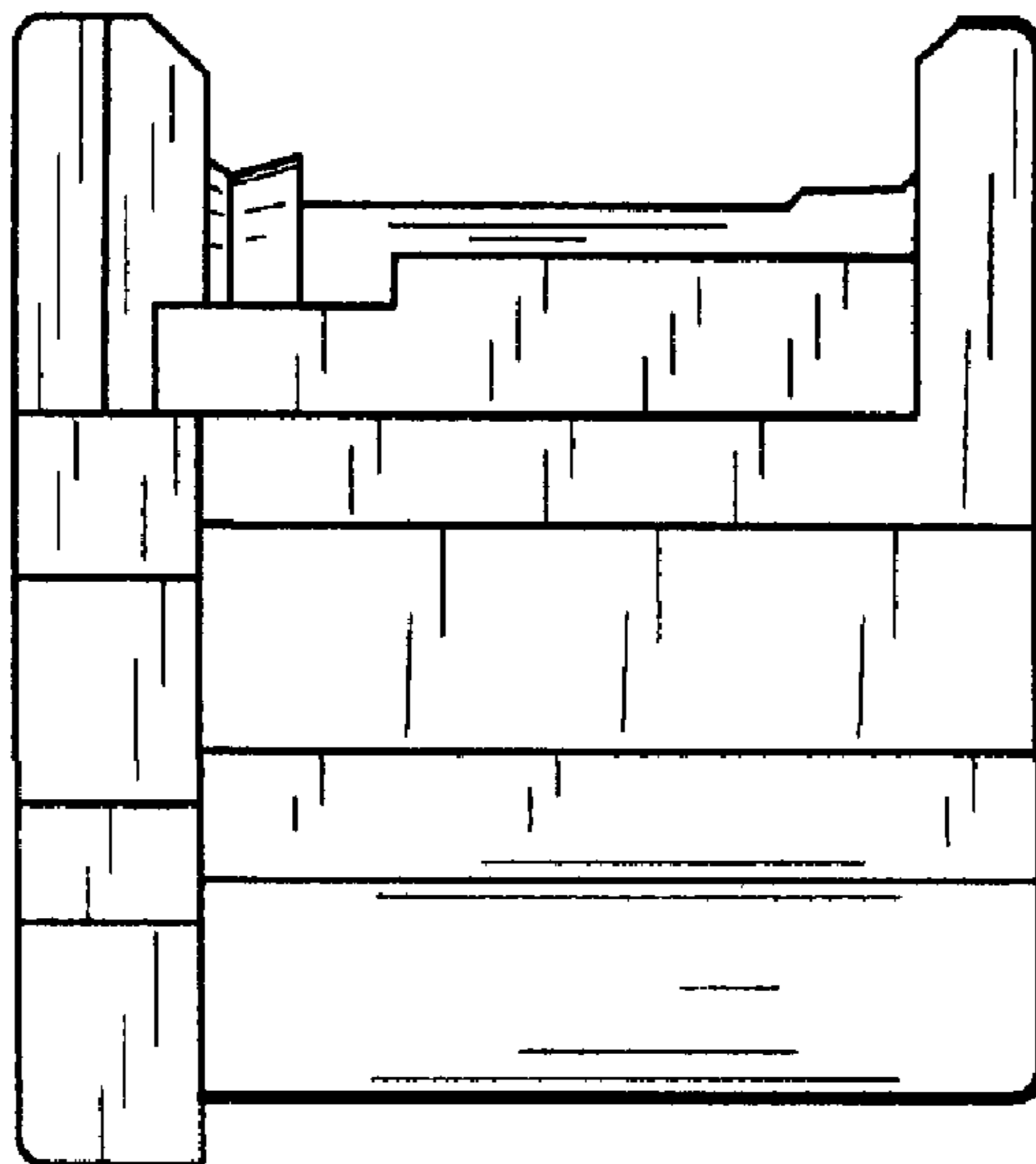
FIG. 1



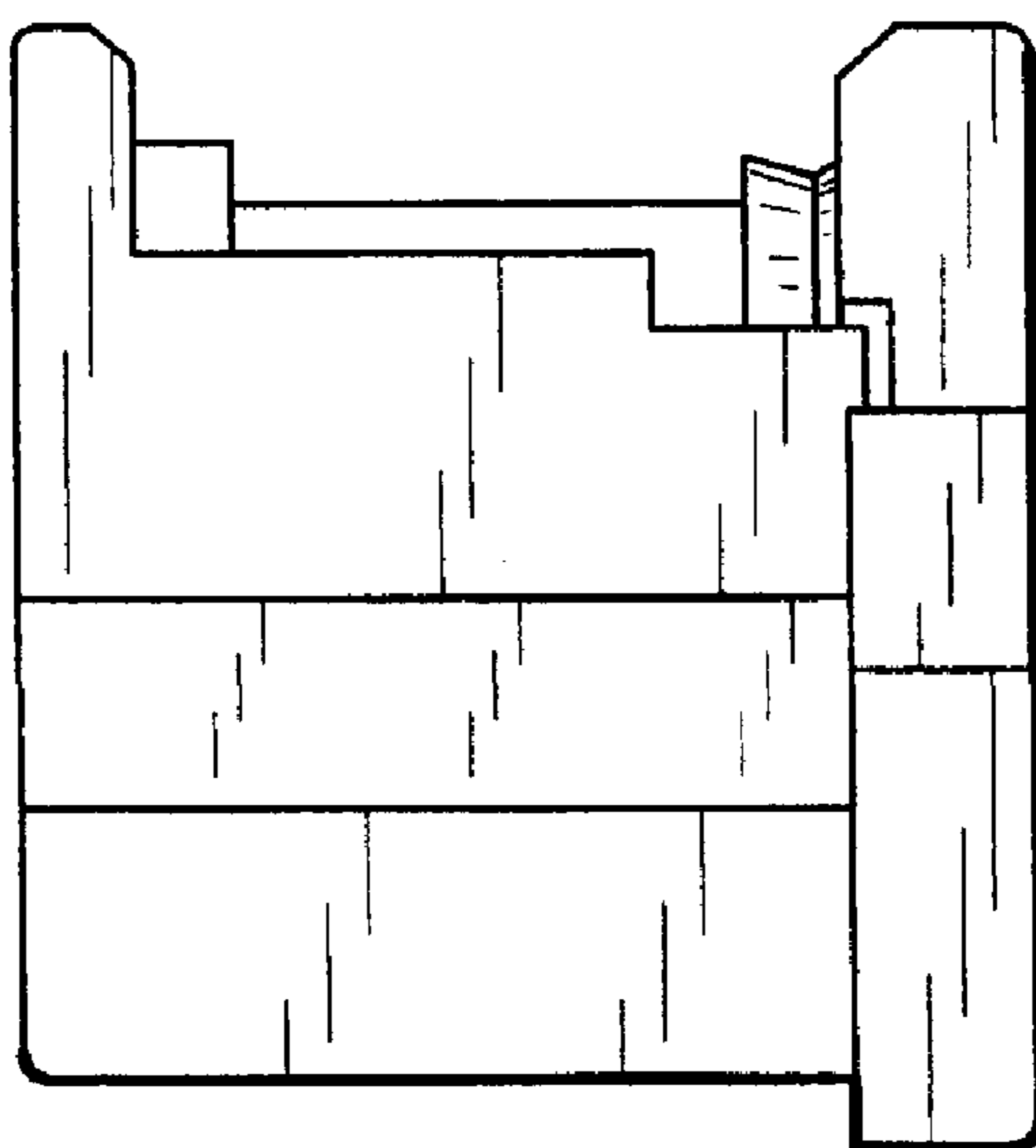
*FIG. 2*



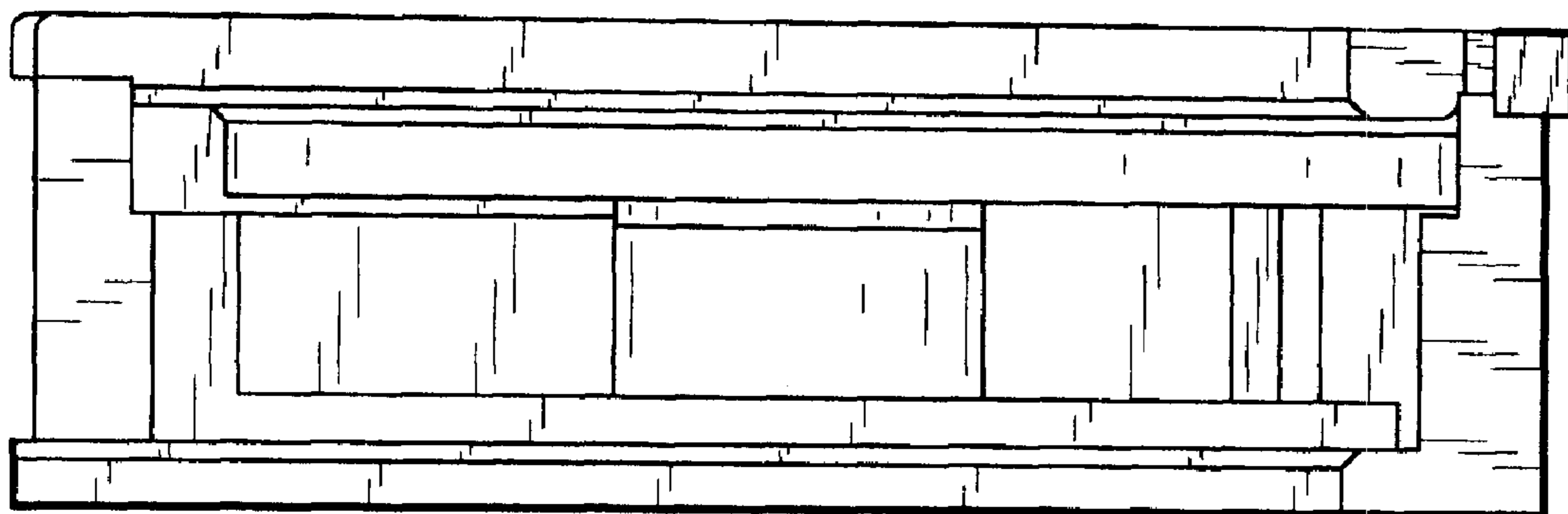
*FIG. 3*



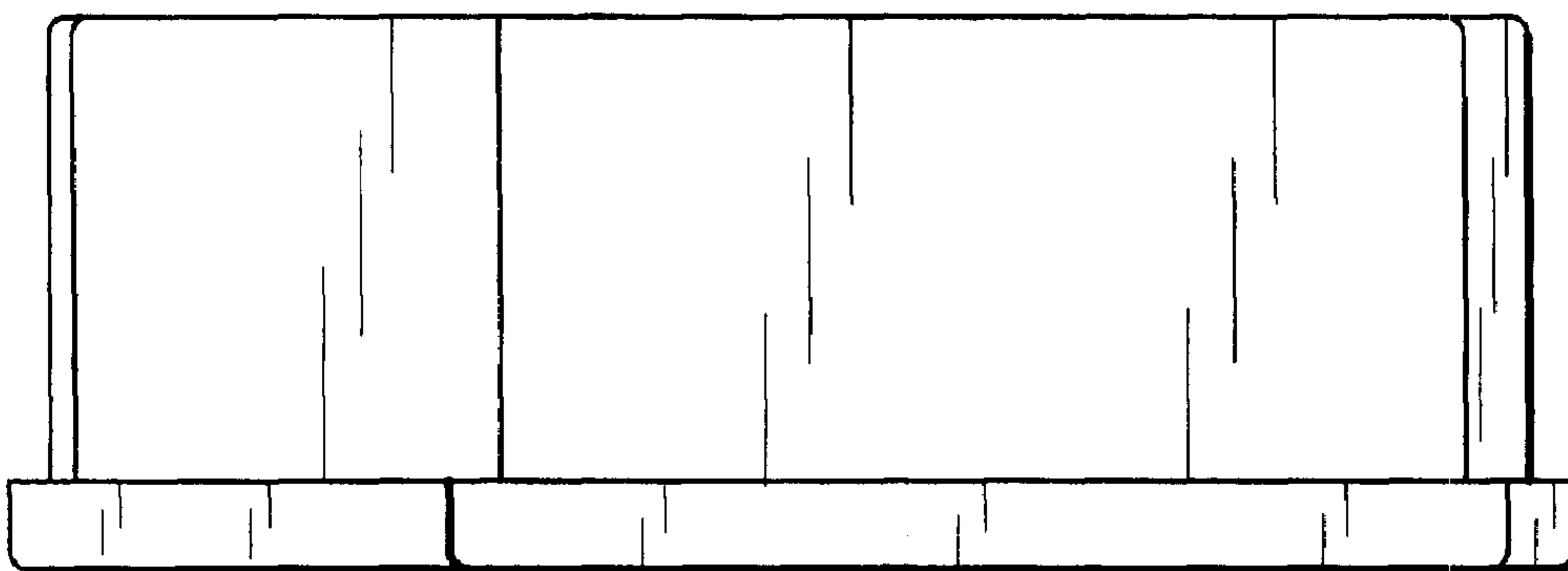
*FIG. 4*



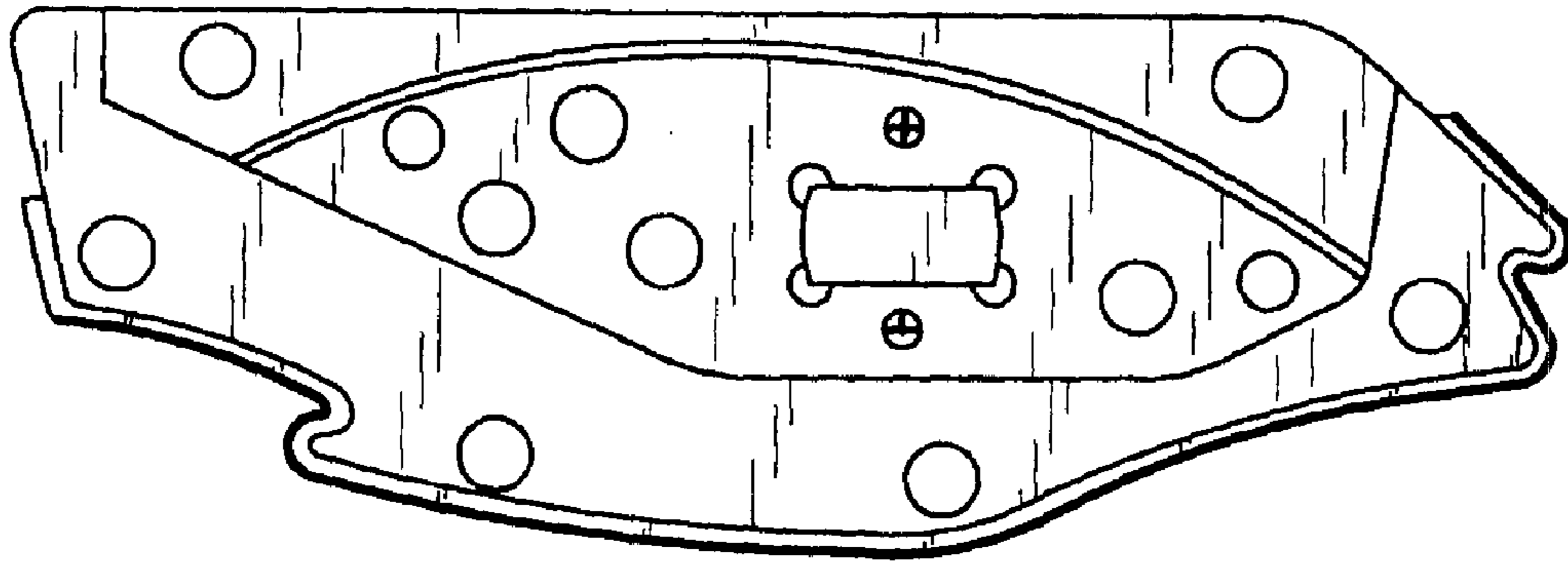
*FIG. 5*



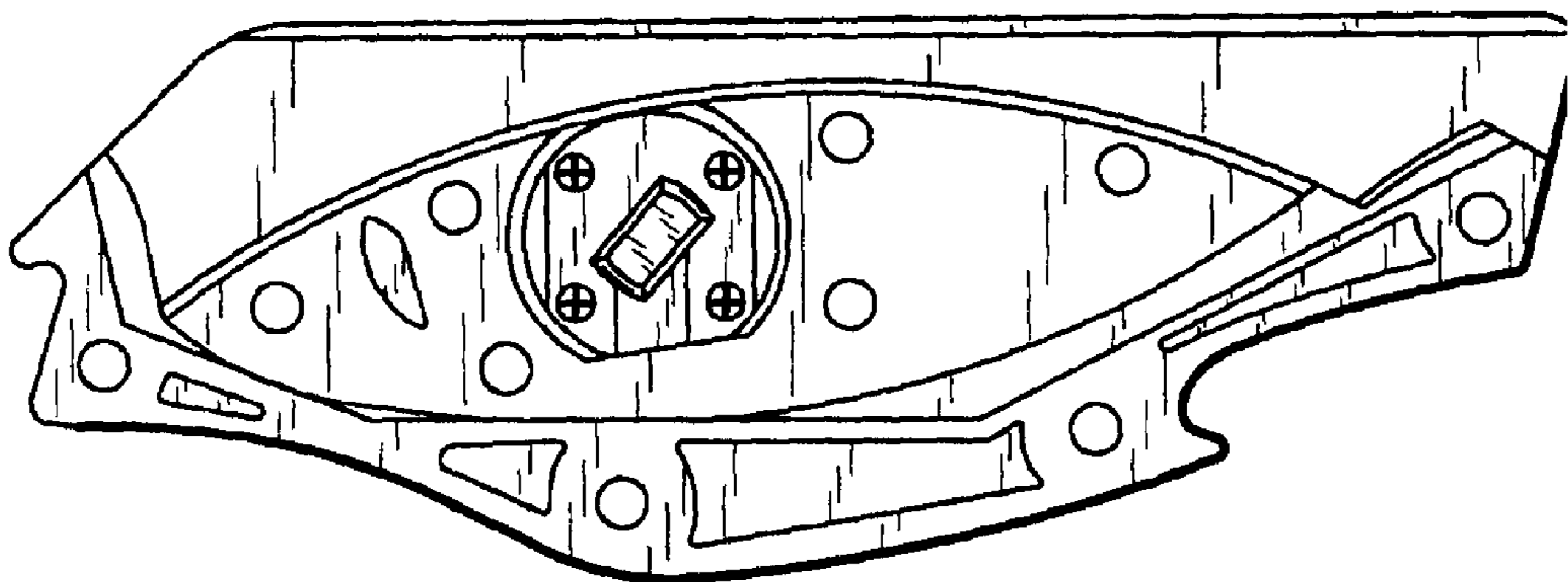
*FIG. 6*



*FIG. 7*



*FIG. 8*



*FIG. 9*