



US00D537142S

(12) **United States Design Patent**
Eagan

(10) **Patent No.:** **US D537,142 S**

(45) **Date of Patent:** **** Feb. 20, 2007**

(54) **FLOTATION THERAPY DEVICE**

(76) **Inventor:** **Patricia D. Eagan**, 20 Douglas Rd.,
Chappaqua, NY (US) 10514

(**) **Term:** **14 Years**

(21) **Appl. No.:** **29/214,323**

(22) **Filed:** **Sep. 30, 2004**

(51) **LOC (8) Cl.** **21-06**

(52) **U.S. Cl.** **D21/803**

(58) **Field of Classification Search** D21/769-770,
D21/801, 803, 809; D6/392, 596, 601, 604;
472/128-129; D12/5, 6, 316; 114/253, 345-346;
441/35, 66, 40-42, 129-132; 5/622, 636,
5/637, 646

See application file for complete search history.

(56) **References Cited**

U.S. PATENT DOCUMENTS

264,814	A	*	9/1882	Wood	441/127
D318,203	S	*	7/1991	Zaghini	D6/601
5,360,360	A	*	11/1994	Peterson	441/130
5,628,658	A	*	5/1997	Clifford	441/130
5,735,695	A	*	4/1998	Heinrich	439/63
D404,207	S	*	1/1999	Rubinstein	D4/113
5,947,782	A	*	9/1999	Siladke et al.	441/129
5,970,546	A	*	10/1999	Danis	5/636

D420,845	S	*	2/2000	Rumage	D6/601
6,088,855	A	*	7/2000	Connolly	5/636
6,148,460	A	*	11/2000	Fried et al.	5/661
6,253,400	B1	*	7/2001	Rudt-Sturzenegger et al.	..	5/655
D446,750	S	*	8/2001	White	D11/165
6,276,979	B1	*	8/2001	Saltel et al.	441/132
D450,517	S	*	11/2001	Darling et al.	D6/601
6,397,414	B1	*	6/2002	Lloyd	5/622
D487,553	S	*	3/2004	Morikawa	D6/601
6,749,475	B2	*	6/2004	Howerton	441/132
D509,981	S	*	9/2005	Owen	D6/601

* cited by examiner

Primary Examiner—Janice Seeger

Assistant Examiner—Zenia I. Bennett

(74) *Attorney, Agent, or Firm*—Rodman and Rodman

(57) **CLAIM**

The ornamental design for the flotation therapy device, as shown and described.

DESCRIPTION

FIG. 1 is a top perspective view of the flotation therapy device incorporating my new design; and, FIG. 2 is as sectional view taken on the line 2—2 of FIG. 1. The broken lines in the drawing are for illustrative purposes only and form no part of the claimed design.

1 Claim, 1 Drawing Sheet

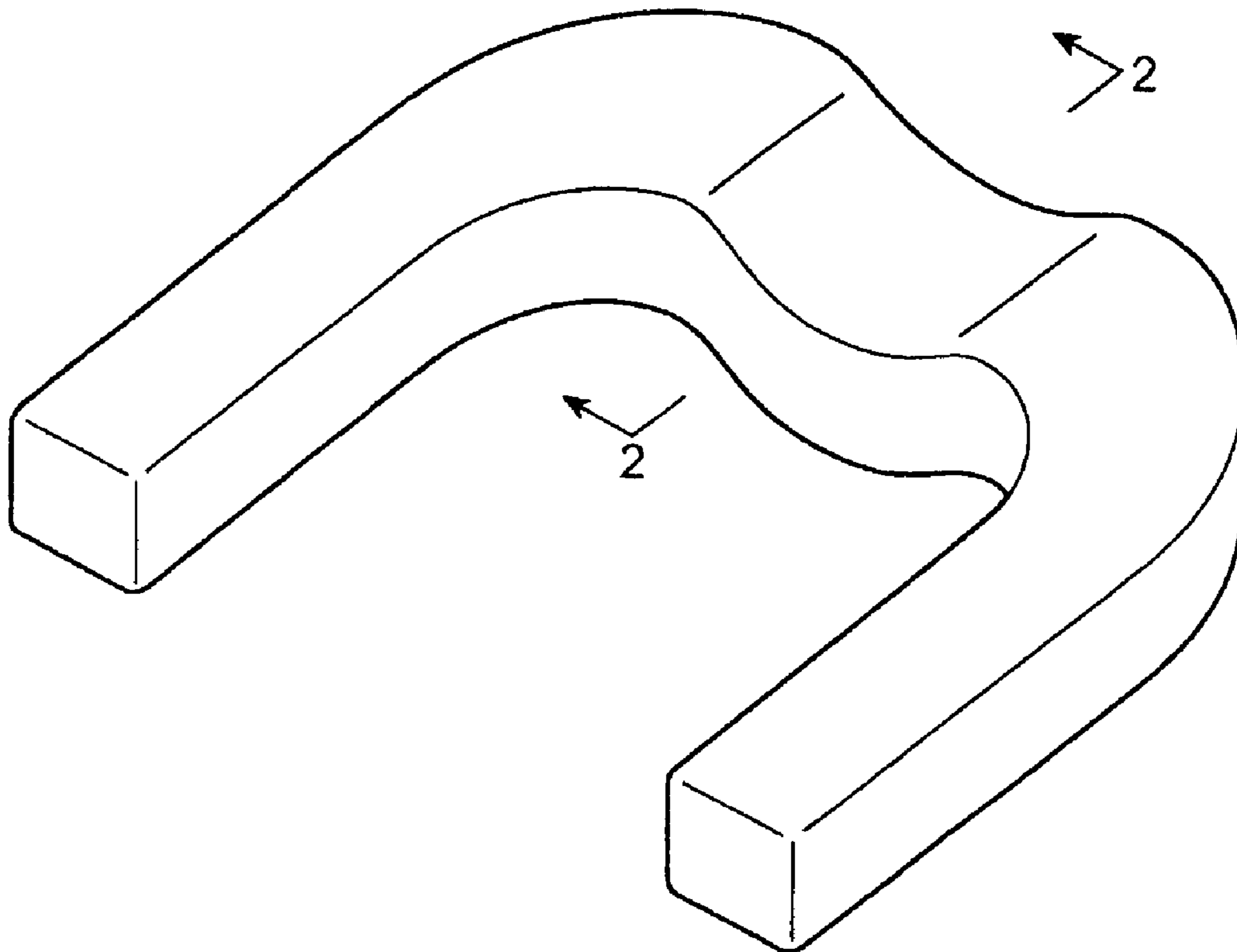


FIG. 1

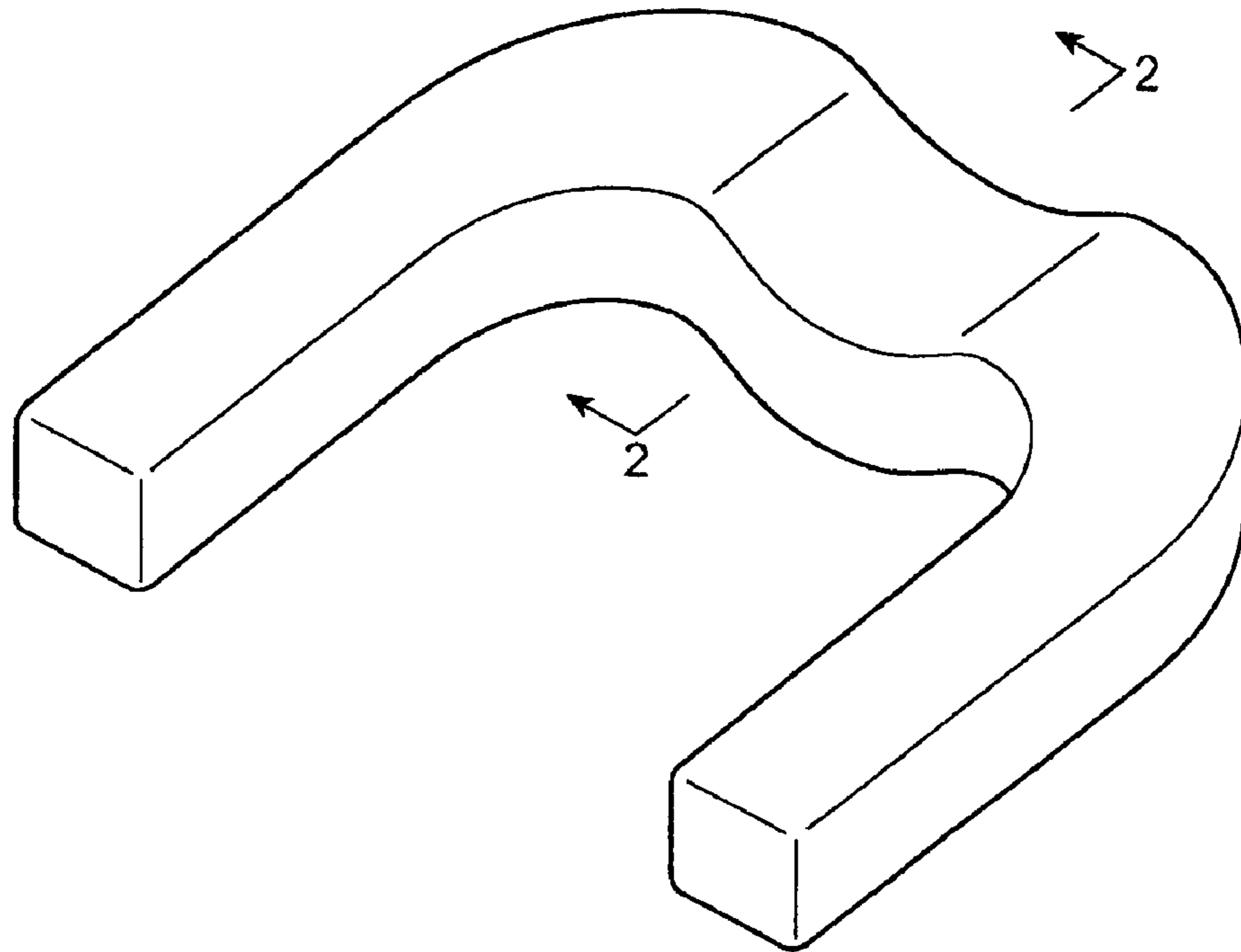


FIG. 2

