



US00D537136S

(12) **United States Design Patent**
De La Cruz

(10) **Patent No.:** **US D537,136 S**

(45) **Date of Patent:** **** Feb. 20, 2007**

(54) **GOLF PUTTER WITH PERIMETER WEIGHTING**

(76) Inventor: **Richard De La Cruz**, 2865 Scott St.
#101, Vista, CA (US) 92081

(**) Term: **14 Years**

(21) Appl. No.: **29/236,465**

(22) Filed: **Aug. 17, 2005**

(51) **LOC (8) Cl.** **21-02**

(52) **U.S. Cl.** **D21/744**

(58) **Field of Classification Search** D21/736-746;
473/324-331, 251-256, 340, 341
See application file for complete search history.

(56) **References Cited**

U.S. PATENT DOCUMENTS

- D310,115 S * 8/1990 Iinuma D21/739
- D316,129 S * 4/1991 Bryson D21/739
- D372,752 S * 8/1996 Raudman D21/744

- 5,676,606 A * 10/1997 Schaeffer et al. 473/340
- 6,017,280 A * 1/2000 Hubert 473/324
- D437,017 S * 1/2001 Ford D21/744
- D485,880 S * 1/2004 Madore et al. D21/759

* cited by examiner

Primary Examiner—Mitchell Siegel

(74) *Attorney, Agent, or Firm*—Steven W. Webb

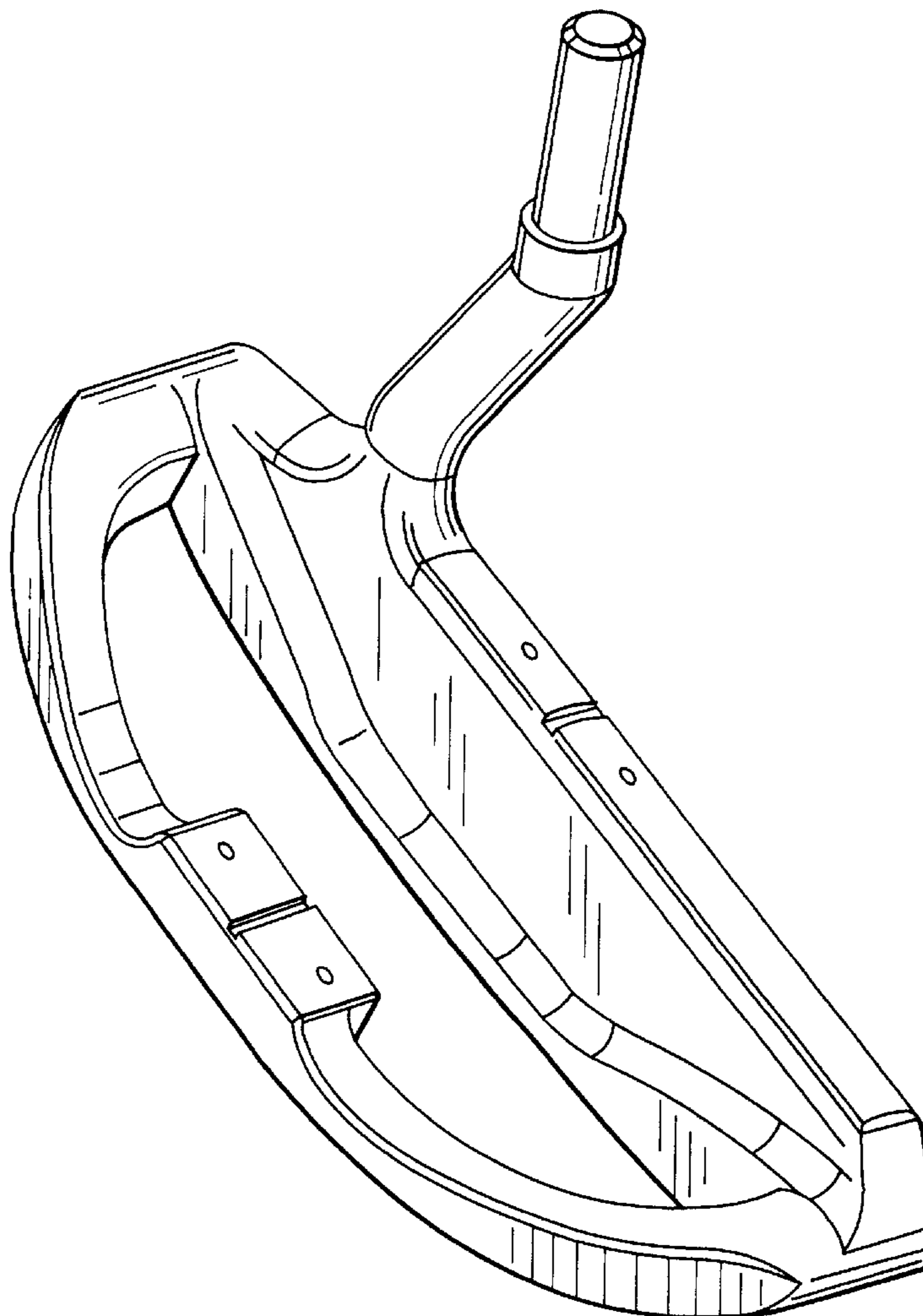
(57) **CLAIM**

The ornamental design for a golf putter with perimeter weighting, as shown and described.

DESCRIPTION

- FIG. 1 is a perspective view of the golf putter.
- FIG. 2 is a rear view of the golf putter
- FIG. 3 is a top view of the golf putter.
- FIG. 4 is a bottom view of the golf putter
- FIG. 5 is a left side view of the golf putter
- FIG. 6 is a front view of the golf putter; and,
- FIG. 7 is a right side view of the golf putter.

1 Claim, 4 Drawing Sheets



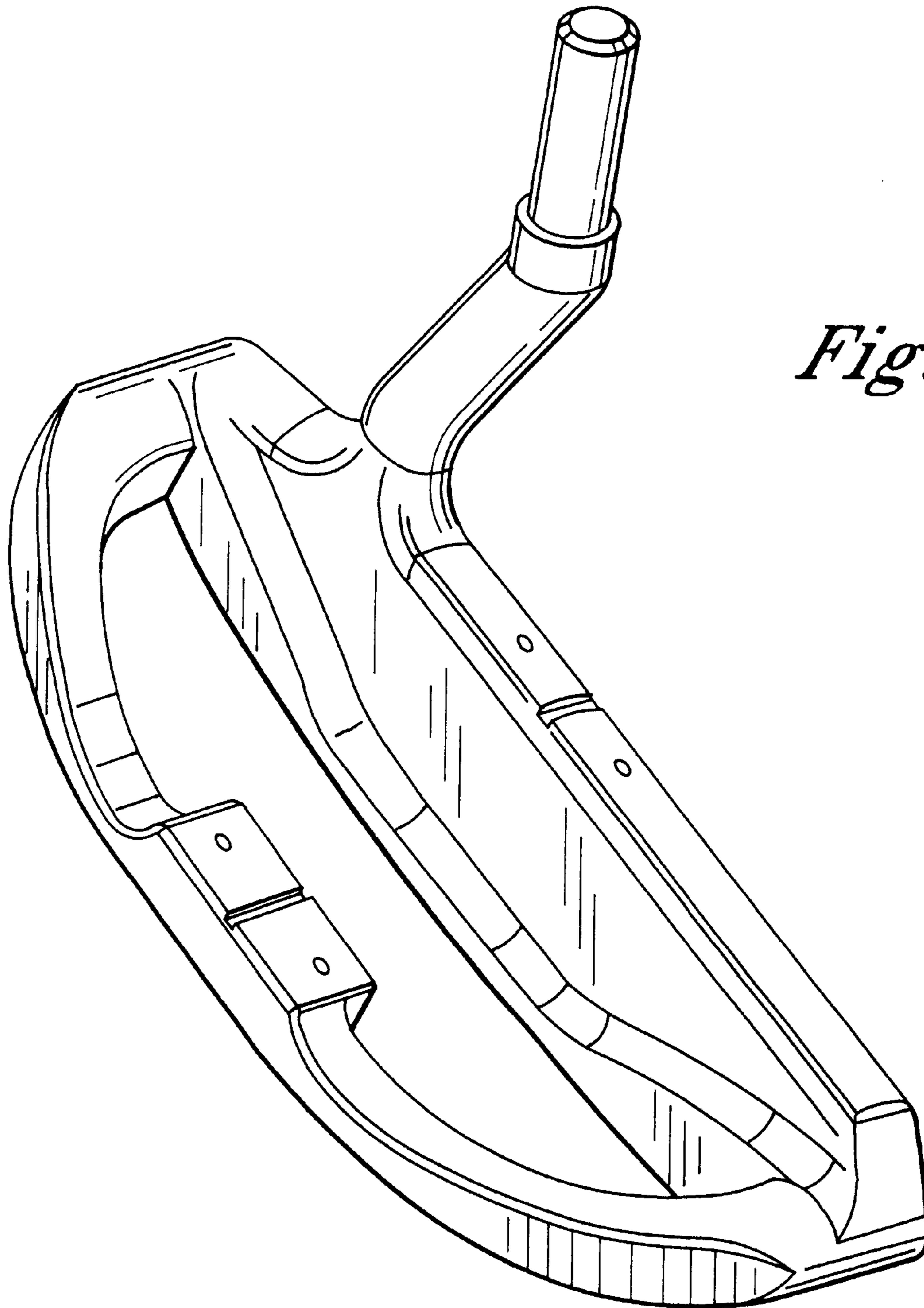


Fig. 1

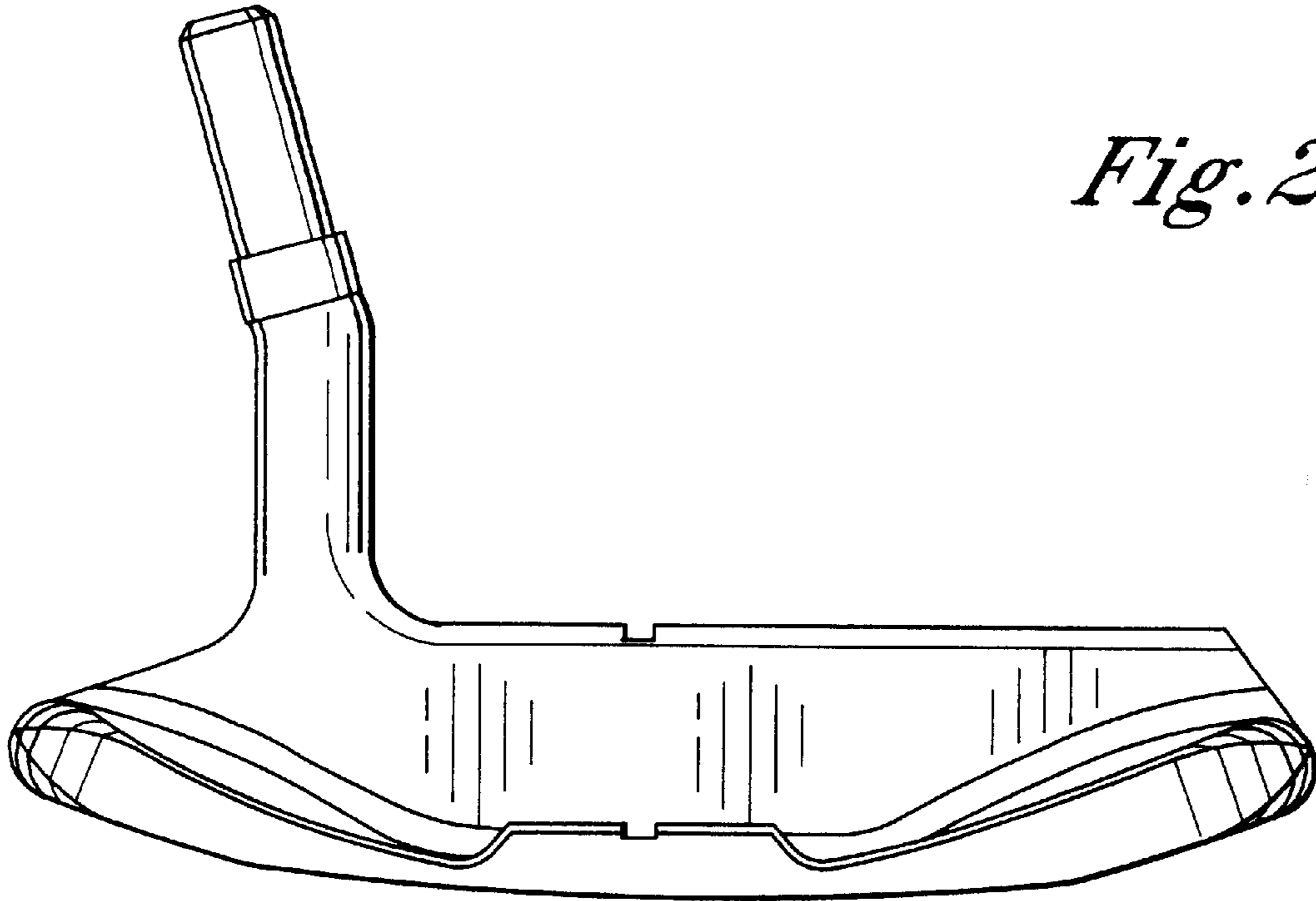


Fig. 2

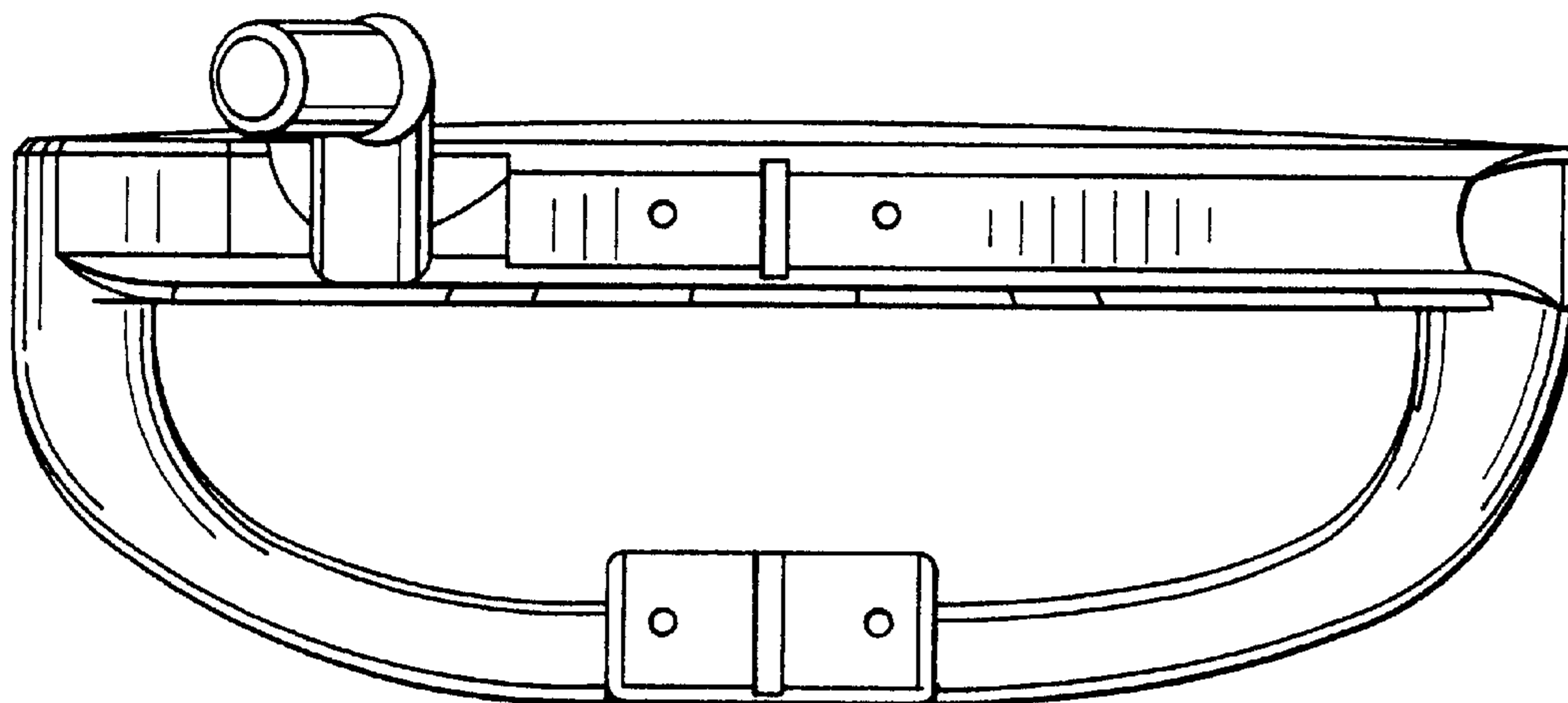


Fig. 3

Fig. 4

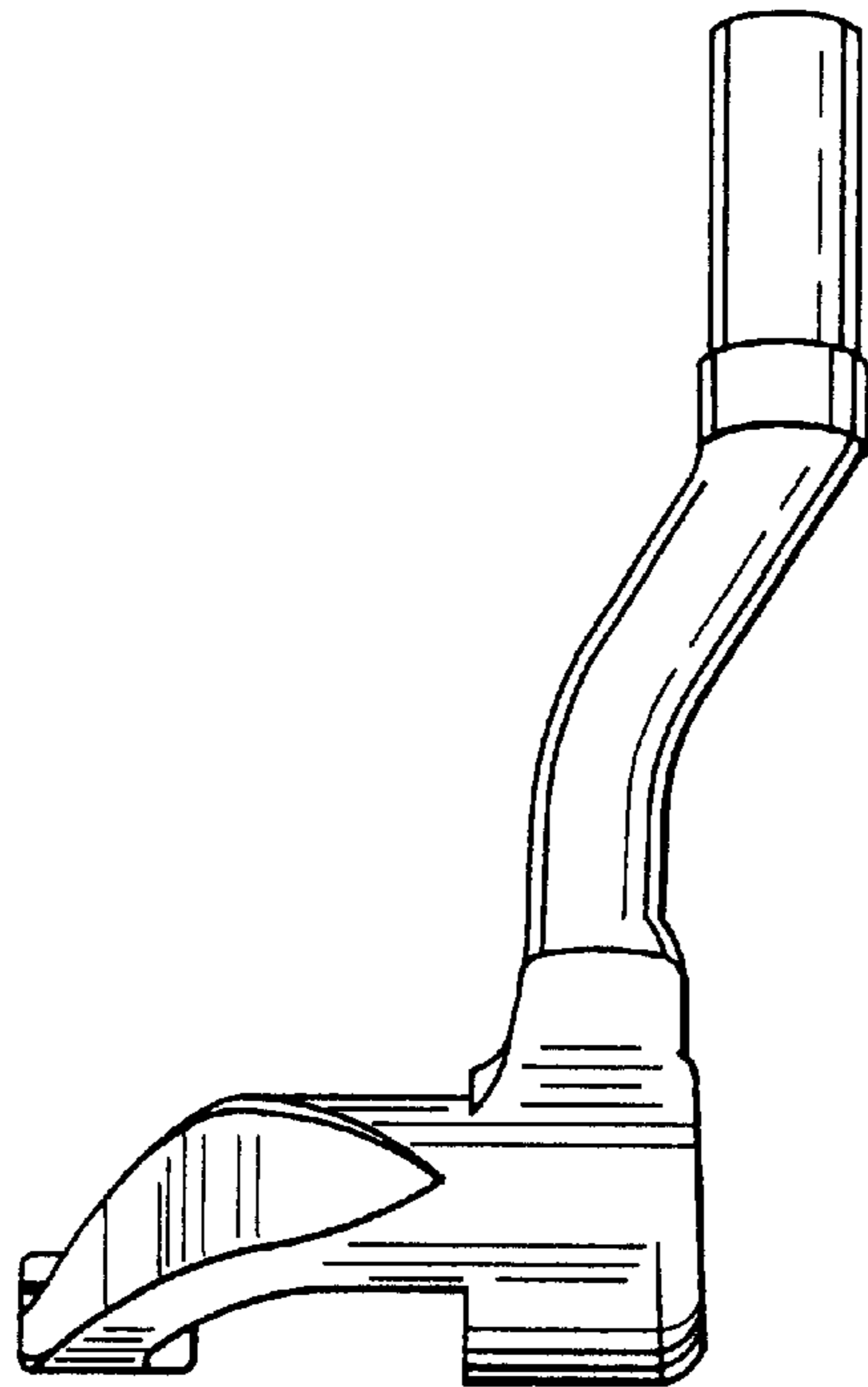
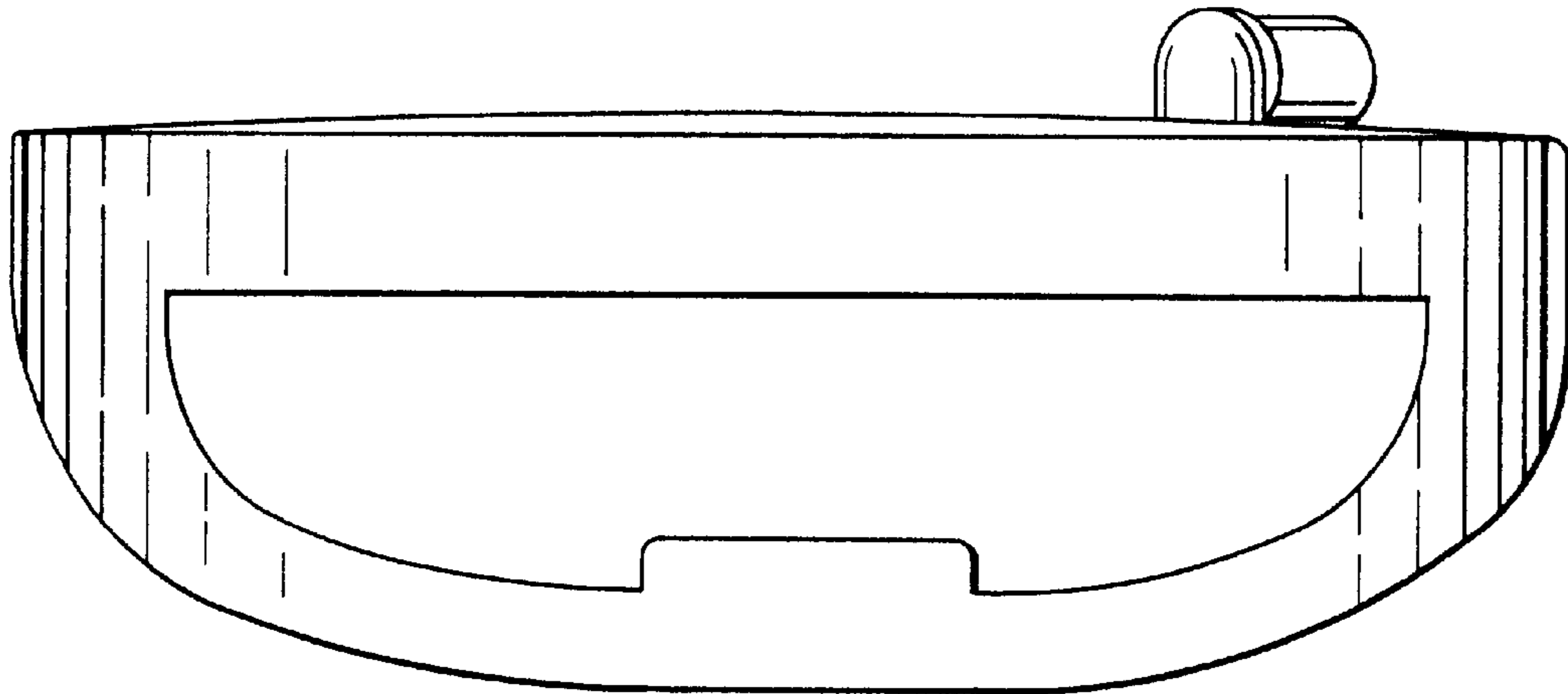


Fig. 5

Fig. 6

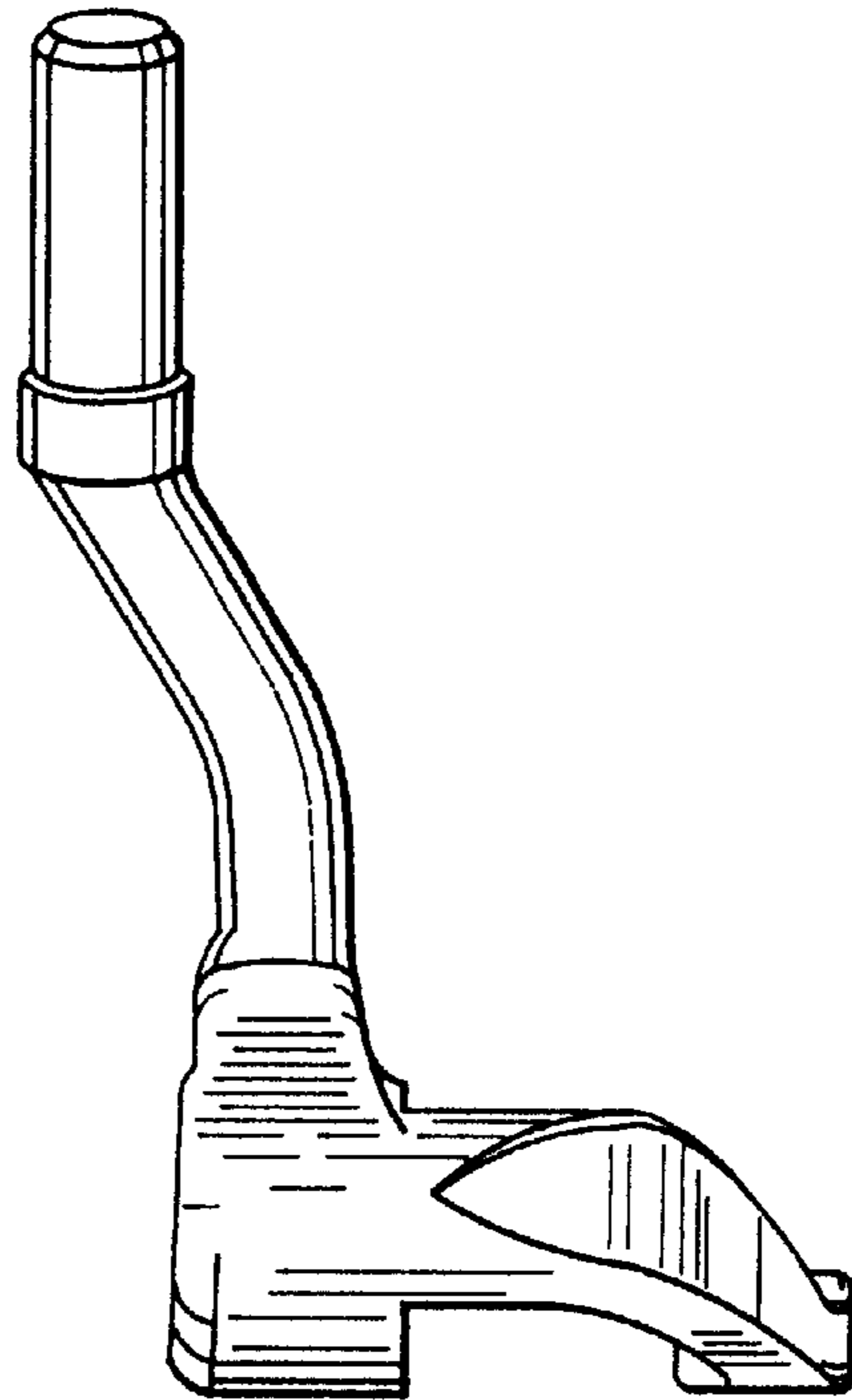
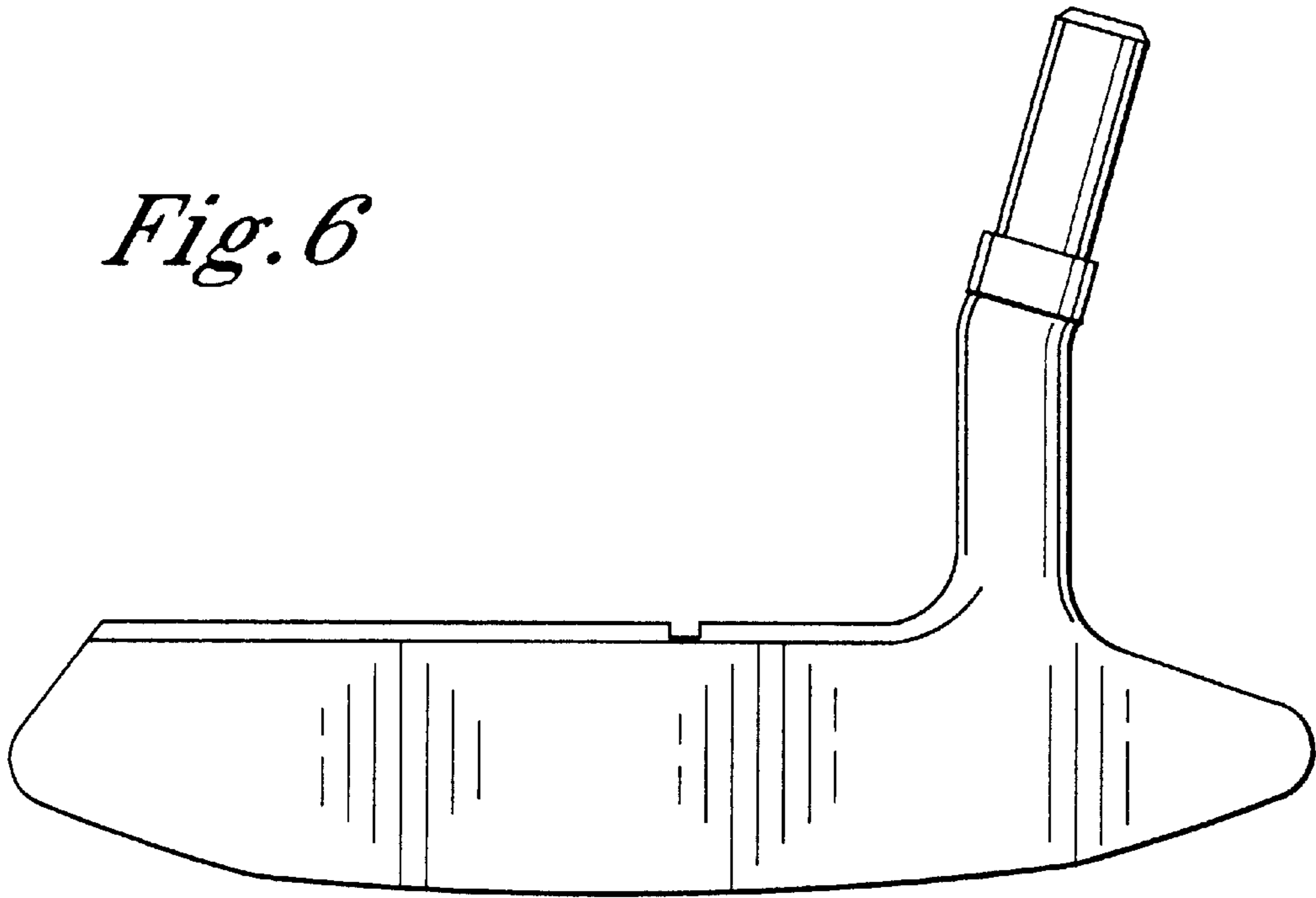


Fig. 7