



US00D537135S

(12) **United States Design Patent**  
**Rollinson et al.**

(10) **Patent No.:** **US D537,135 S**

(45) **Date of Patent:** **\*\* Feb. 20, 2007**

- (54) **GOLF CLUB HEAD**
- (75) Inventors: **Augustin W. Rollinson**, San Diego, CA (US); **Larry G. Tang**, Carlsbad, CA (US)
- (73) Assignee: **Callaway Golf Company**, Carlsbad, CA (US)
- (\*\*) Term: **14 Years**
- (21) Appl. No.: **29/240,336**
- (22) Filed: **Oct. 12, 2005**
- (51) **LOC (8) Cl.** ..... **21-02**
- (52) **U.S. Cl.** ..... **D21/742**
- (58) **Field of Classification Search** ..... D21/736-746; 473/324-331, 251-256, 340, 341  
See application file for complete search history.

- 2,056,335 A 10/1936 Wettlaufer
- 2,057,821 A 10/1936 Costello
- D104,495 S 5/1937 Gallagher
- 2,156,025 A 4/1939 Paul
- 2,447,967 A 8/1948 Stone
- 2,478,468 A 8/1949 Drake
- 2,708,579 A 5/1955 Hugman
- D179,002 S 10/1956 Hoffmeister
- D179,246 S 11/1956 Gillon
- 2,781,197 A 2/1957 Wiley
- 2,838,312 A 6/1958 Drake
- 2,957,696 A 10/1960 Warpotas
- 3,021,141 A 2/1962 Polsky et al.
- 3,064,975 A 11/1962 Smith
- D200,585 S 3/1965 Cefaly
- 3,194,564 A 7/1965 Swan
- 3,220,733 A 11/1965 Saleeby

(Continued)

*Primary Examiner*—Mitchell Siegel  
(74) *Attorney, Agent, or Firm*—Michael A. Catania; Elaine H. Lo

(56) **References Cited**  
U.S. PATENT DOCUMENTS

- 1,485,272 A 2/1924 Kinsman
- 1,526,951 A 2/1925 Beaumont
- 1,546,612 A 7/1925 Barnes
- 1,569,295 A 1/1926 Munson
- 1,652,404 A 12/1927 Graveure
- 1,654,916 A 1/1928 Boyce
- 1,666,174 A 4/1928 Holland
- 1,703,199 A 2/1929 McClure
- D85,510 S 11/1931 Beach
- D90,924 S 10/1933 Replogle
- 1,960,110 A 5/1934 Iles
- 2,002,631 A 5/1935 Fiondella
- D95,819 S 6/1935 Gourlay

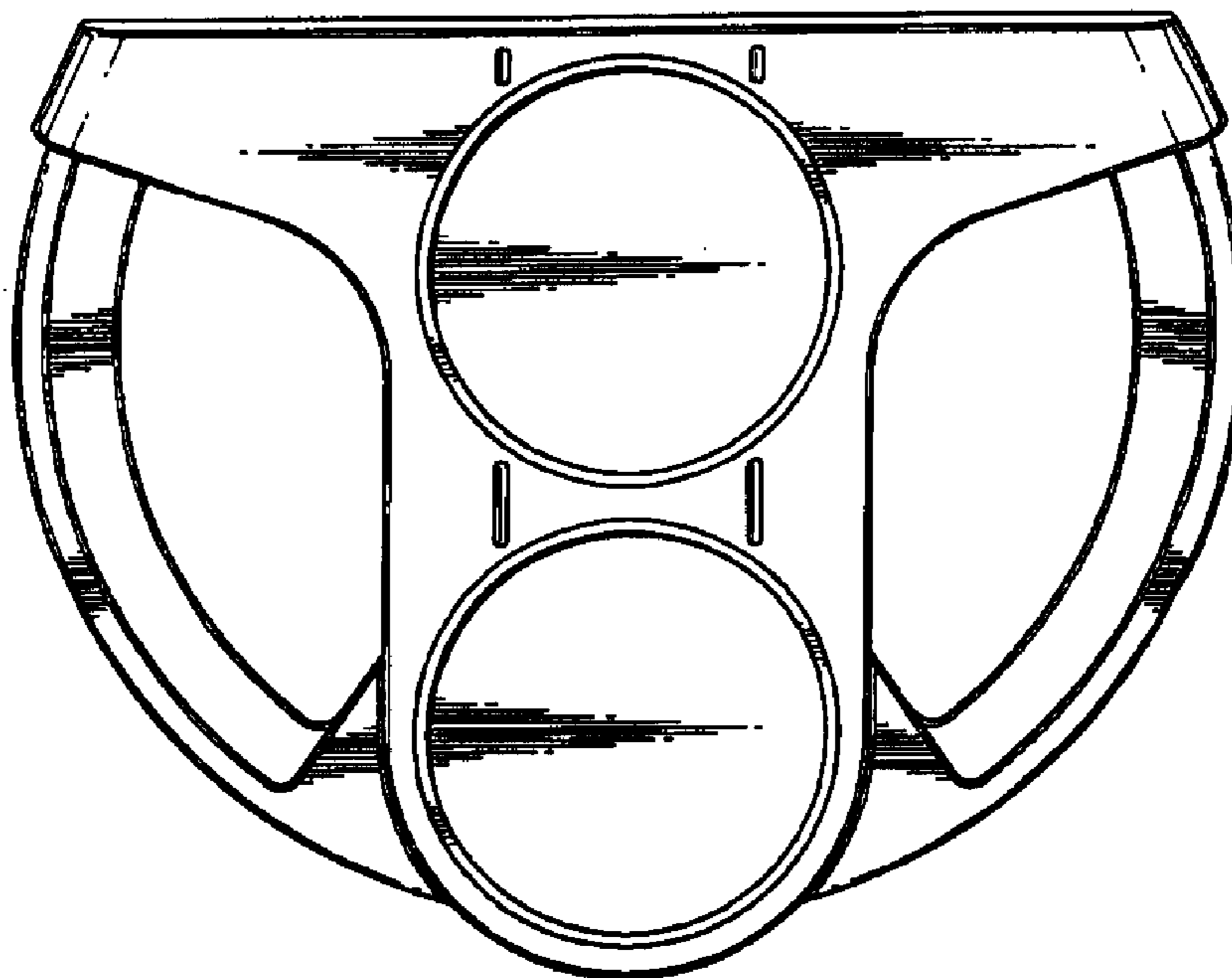
(57) **CLAIM**

The ornamental design for a golf club head, as shown and described.

**DESCRIPTION**

FIG. 1 is a top plan view of the golf club head as claimed herein;  
FIG. 2 is a bottom plan view of the golf club head thereof;  
FIG. 3 is a front elevational view thereof;  
FIG. 4 is back elevational view thereof; and,  
FIG. 5 is a toe view.

**1 Claim, 2 Drawing Sheets**

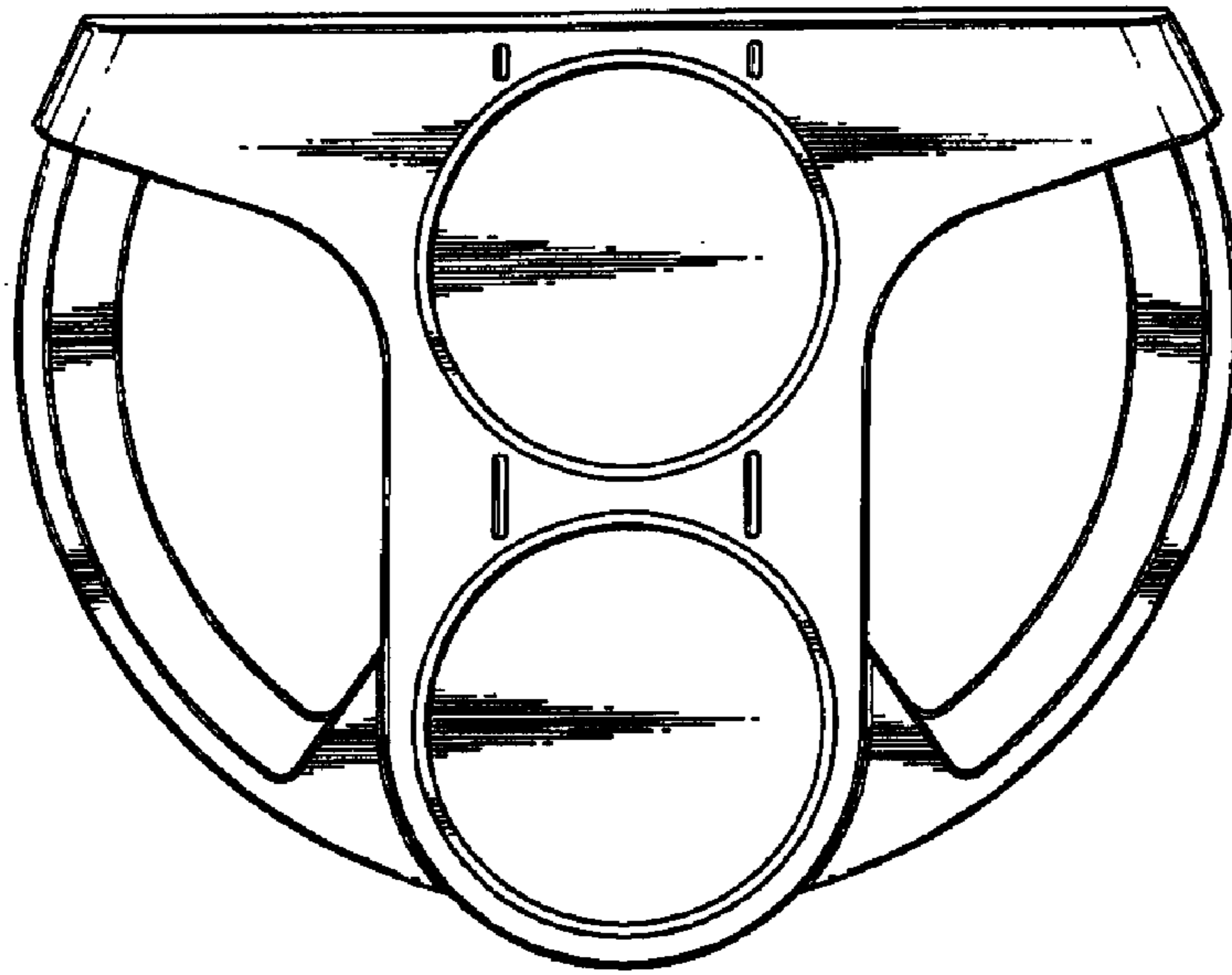


# US D537,135 S

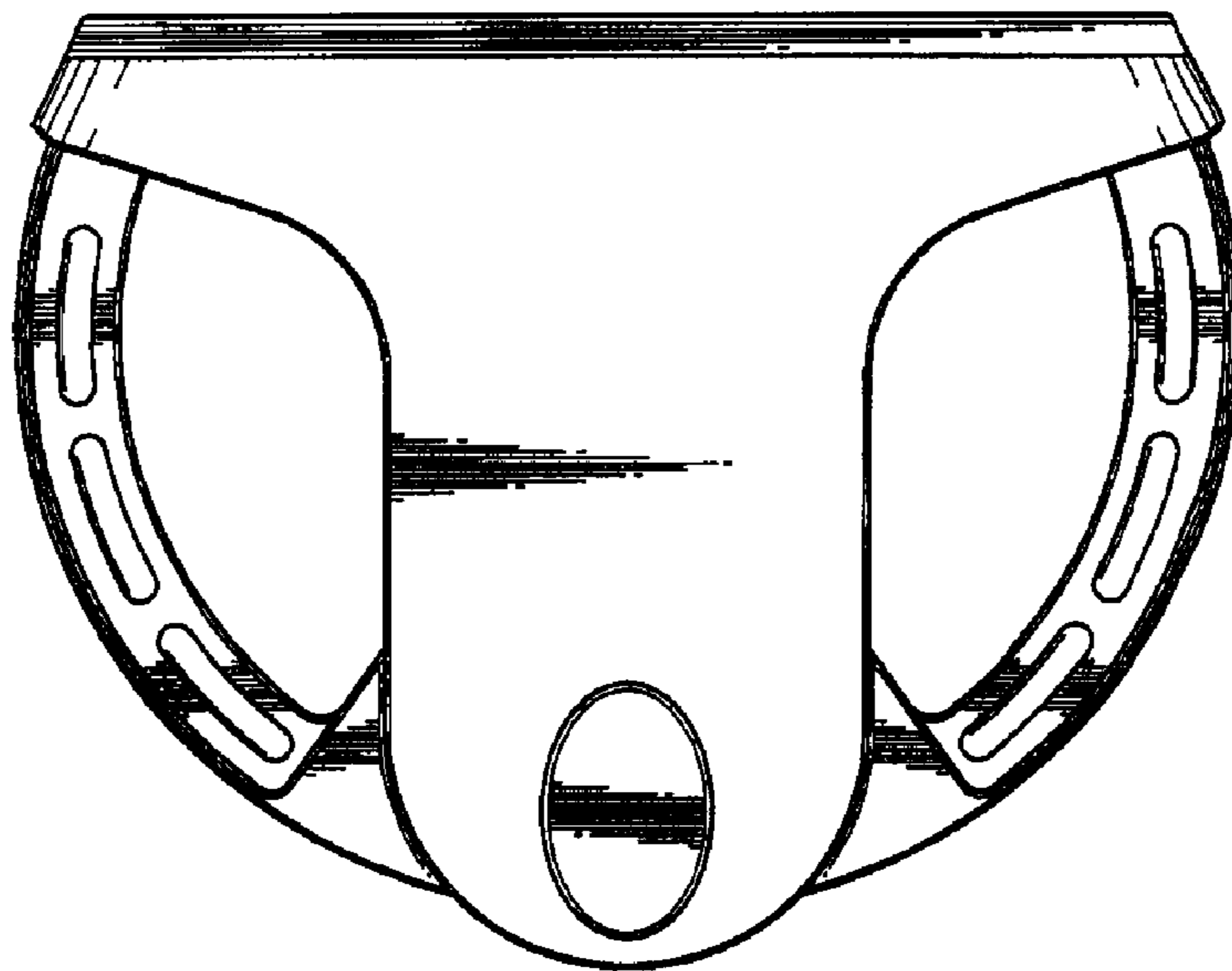
Page 2

U.S. PATENT DOCUMENTS					
			4,314,701 A	2/1982	Swanson
			4,411,431 A	10/1983	Judice
			4,444,395 A	4/1984	Reiss
			4,688,798 A	8/1987	Pelz
3,300,241 A	1/1967	Eberwein et al.	D309,765 S	8/1990	Pelz
3,310,879 A	3/1967	Brzezinski et al.	D309,766 S	8/1990	Pelz
3,328,032 A	6/1967	Griswold	D317,034 S	5/1991	Pelz
3,333,854 A	8/1967	White	D317,962 S	7/1991	Pelz
3,343,839 A	9/1967	Borah	5,685,784 A	11/1997	Butler
D209,294 S	11/1967	Hitt	D395,692 S	6/1998	Butler
3,357,705 A	12/1967	Blanchard	D422,328 S	4/2000	Lannoch
3,408,074 A	10/1968	Antonious	D437,017 S	* 1/2001	Ford ..... D21/744
3,411,789 A	11/1968	Wariner	D448,437 S	9/2001	Colucci
D217,487 S	5/1970	Blake	D458,656 S	6/2002	Tang et al.
3,512,262 A	5/1970	Smyk et al.	D461,514 S	8/2002	Tang et al.
3,578,332 A	5/1971	Caldwell	D461,515 S	8/2002	Tang et al.
3,632,112 A	1/1972	Jacobs	D461,860 S	8/2002	Tang
3,708,172 A	1/1973	Rango	D461,861 S	8/2002	Tang et al.
3,779,398 A	12/1973	Hunter	D463,002 S	9/2002	Tang et al.
D230,293 S	2/1974	Gall	D467,985 S	12/2002	Tang et al.
D230,294 S	2/1974	Gall	D470,904 S	2/2003	Tang et al.
D230,615 S	3/1974	Delgadillo	D477,041 S	* 7/2003	Cameron ..... D21/742
3,806,129 A	4/1974	Burrows	D481,089 S	10/2003	Breier et al.
3,841,640 A	10/1974	Gaulocher	D493,857 S	* 8/2004	Cameron ..... D21/738
3,841,641 A	10/1974	Bennett	D494,237 S	* 8/2004	Ware ..... D21/736
D233,616 S	11/1974	Verzillo	D496,418 S	* 9/2004	Tang et al. .... D21/738
3,884,477 A	5/1975	Bianco	D506,796 S	* 6/2005	Li ..... D21/742
3,918,720 A	11/1975	Gordos	D507,316 S	* 7/2005	Li ..... D21/742
D241,563 S	9/1976	McCord	D518,127 S	* 3/2006	Tang et al. .... D21/742
D245,437 S	8/1977	Thiel			
D248,050 S	5/1978	Muehl			
D252,221 S	6/1979	Mariani			
4,278,254 A	7/1981	Simjian			

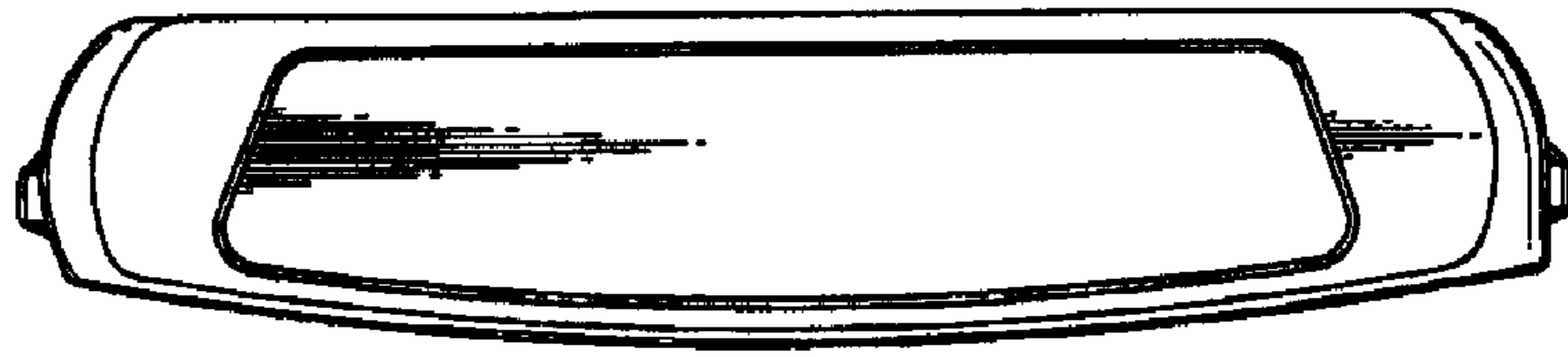
\* cited by examiner



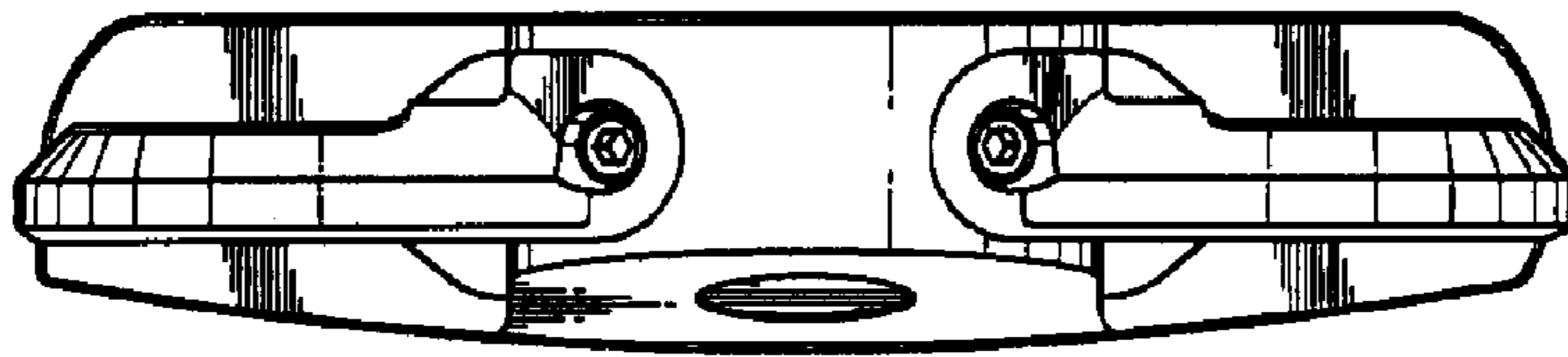
*FIG. 1*



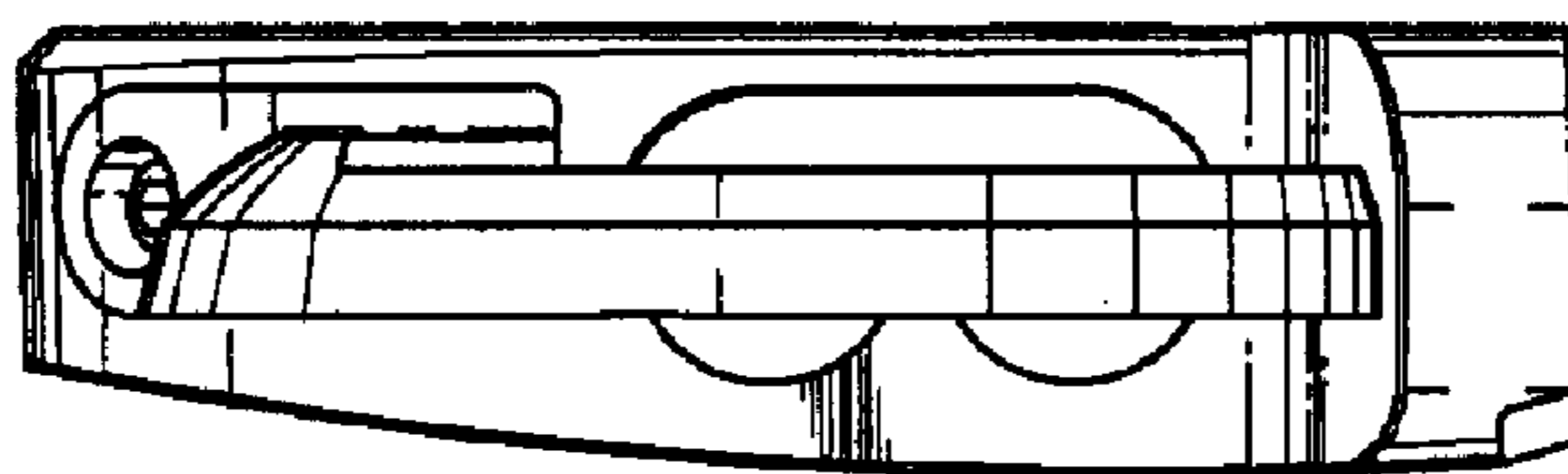
*FIG. 2*



*FIG. 3*



*FIG. 4*



*FIG. 5*