



US00D537134S

(12) **United States Design Patent**
Imamoto

(10) **Patent No.:** **US D537,134 S**

(45) **Date of Patent:** **** Feb. 20, 2007**

(54) **PUTTER HEAD**

(75) **Inventor:** **Yasunori Imamoto, Tokyo (JP)**

(73) **Assignee:** **Bridgestone Sports Co., Ltd., Tokyo (JP)**

(**) **Term:** **14 Years**

(21) **Appl. No.:** **29/244,818**

(22) **Filed:** **Dec. 15, 2005**

(30) **Foreign Application Priority Data**

Aug. 15, 2005 (JP) 2005-023676

(51) **LOC (8) Cl.** **21-02**

(52) **U.S. Cl.** **D21/736**

(58) **Field of Classification Search** D21/736;
473/324-331, 340, 341, 251-256

See application file for complete search history.

(56) **References Cited**

U.S. PATENT DOCUMENTS

D234,962 S	*	4/1975	Swash	D21/739
D235,668 S	*	7/1975	Swash	D21/739
3,901,514 A	*	8/1975	Priaulx	473/325
4,934,702 A	*	6/1990	Serizawa	473/251
D422,042 S	*	3/2000	Whitley et al.	D21/738
D437,017 S		1/2001	Ford		
D449,781 S		10/2001	Tornqvist		
6,319,146 B1	*	11/2001	Mills	473/244
D493,857 S		8/2004	Cameron		
D496,417 S		9/2004	Tang		
D496,418 S		9/2004	Tang et al.		
D499,782 S		12/2004	Stites et al.		

D507,317 S		7/2005	Garner et al.		
7,048,646 B2	*	5/2006	Yamanaka et al.	473/332
7,059,971 B1	*	6/2006	Schmitt	473/285

FOREIGN PATENT DOCUMENTS

JP		391341		1/1975
JP		470762		3/1978
JP		470762-1		4/1978
JP		470762-2		4/1978
JP		1217061 S		7/2004

* cited by examiner

Primary Examiner—Mitchell Siegel

(74) *Attorney, Agent, or Firm*—Sughrue Mion, PLLC

(57) **CLAIM**

The ornamental design for putter head, as shown and described.

DESCRIPTION

FIG. 1 is a front view of putter head embodying my new design;

FIG. 2 is a rear view thereof;

FIG. 3 is a right side view thereof;

FIG. 4 is a left side view thereof;

FIG. 5 is a top view thereof;

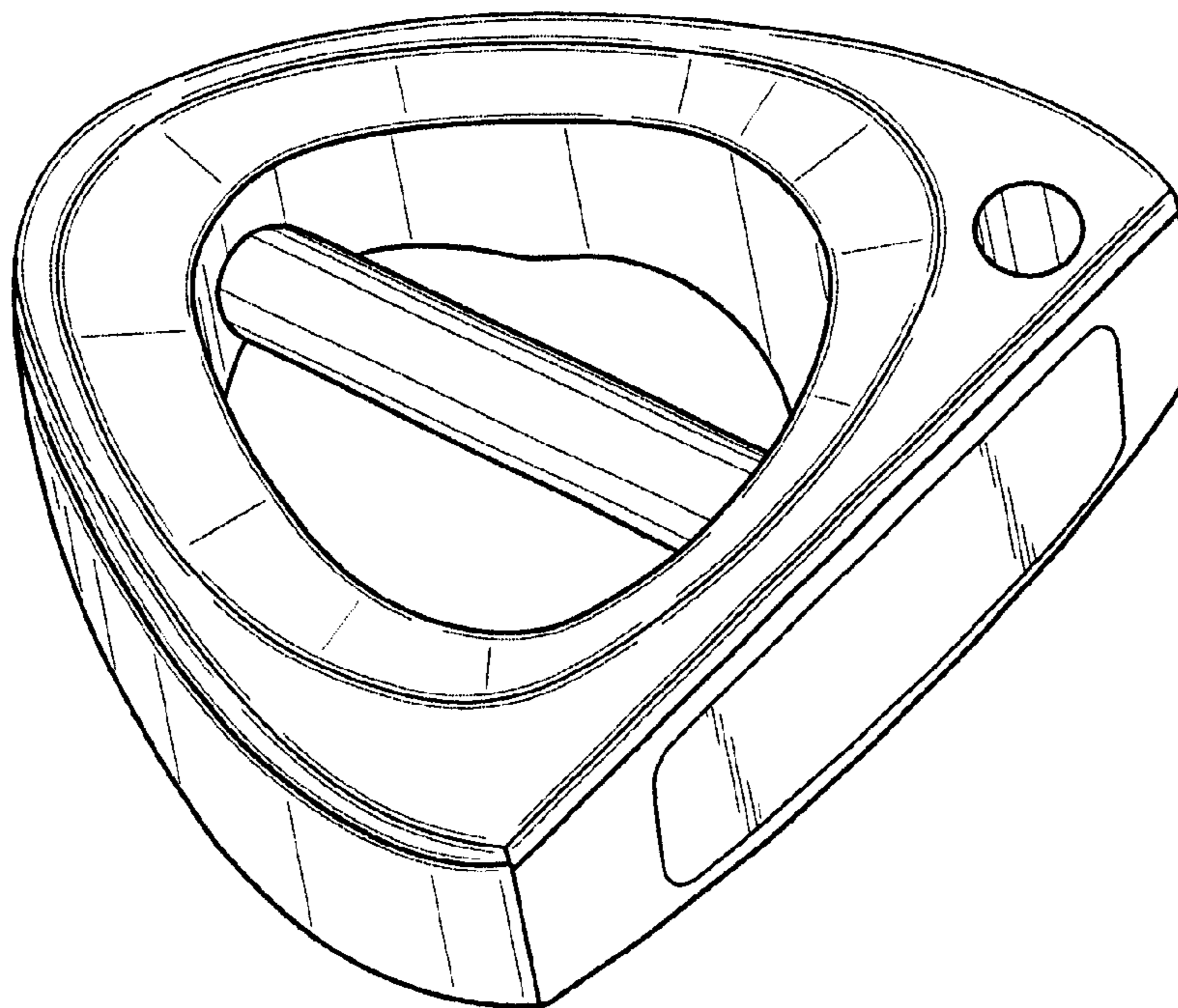
FIG. 6 is a bottom view thereof;

FIG. 7 is a cross-sectional view taken on line 7—7 of FIG. 1;

FIG. 8 is a cross-sectional view taken on line 8—8 of FIG. 3; and

FIG. 9 is a referential perspective view thereof.

1 Claim, 3 Drawing Sheets



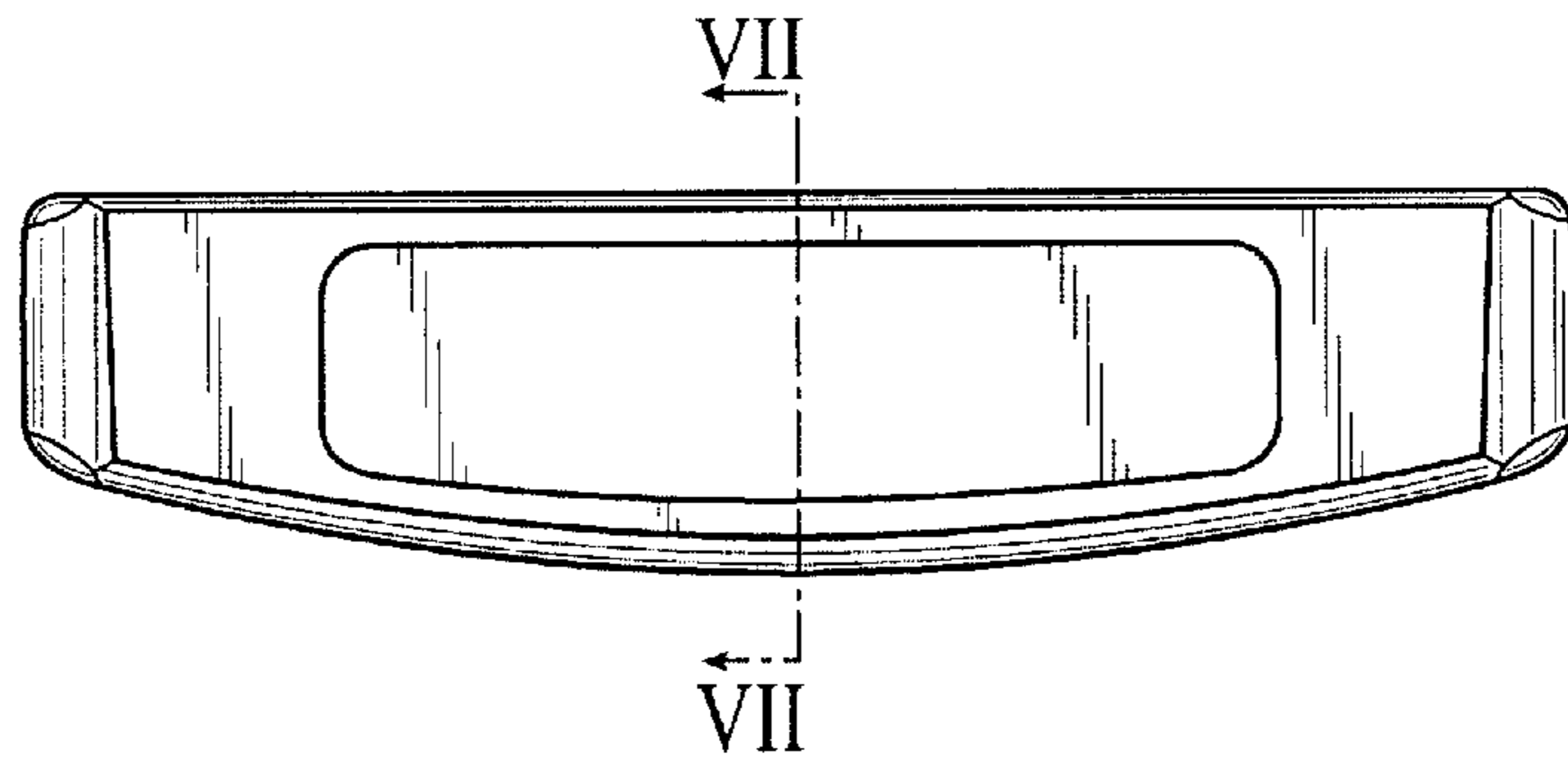


Fig. 1

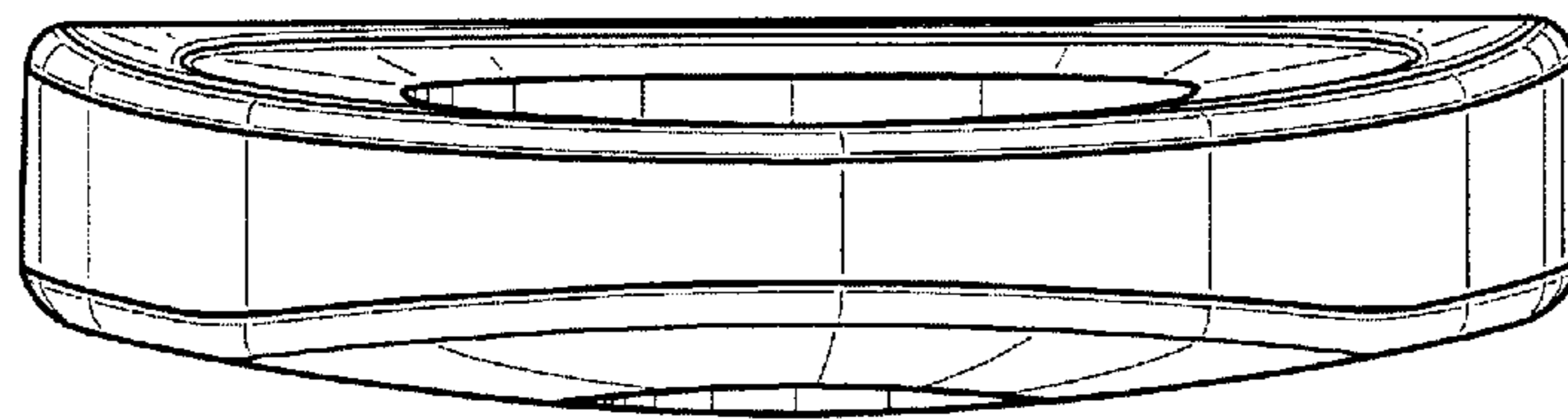


Fig. 2

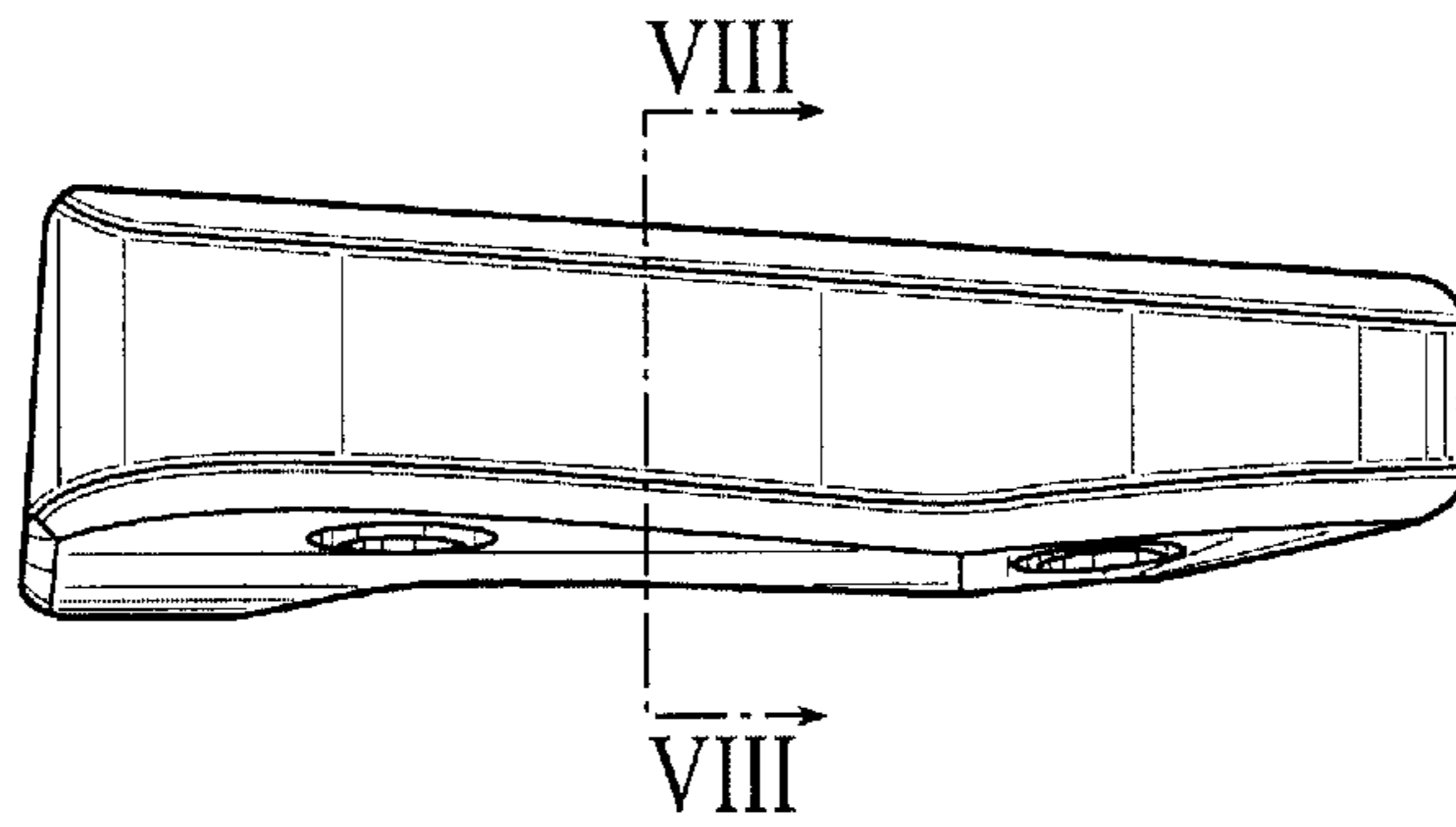


Fig. 3

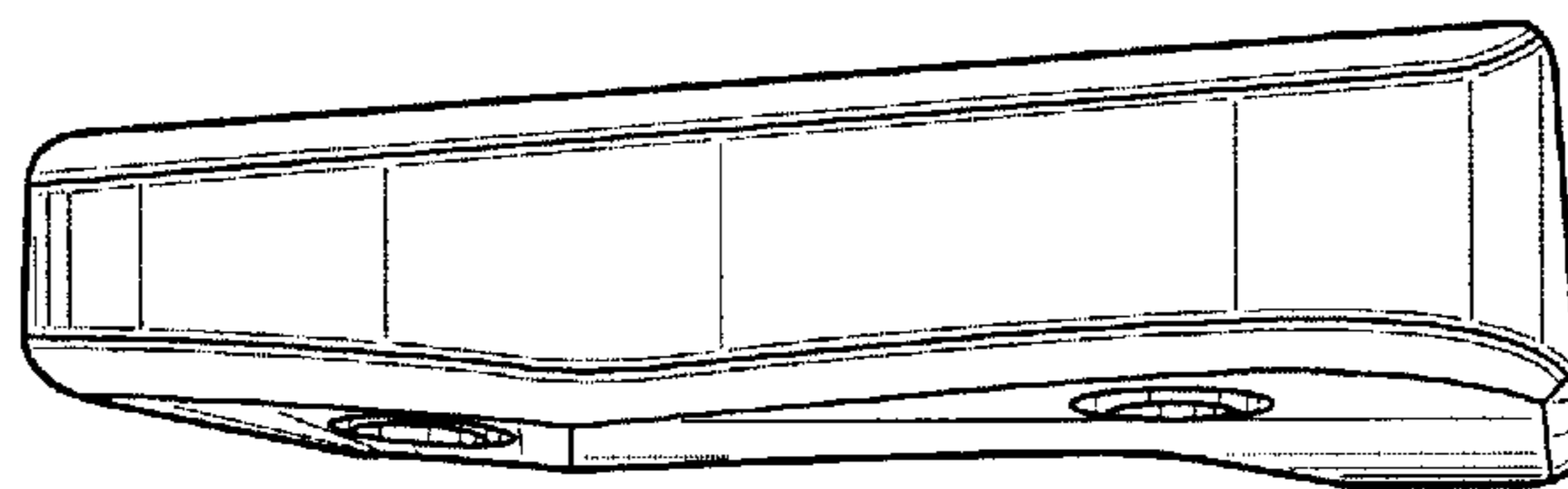


Fig. 4

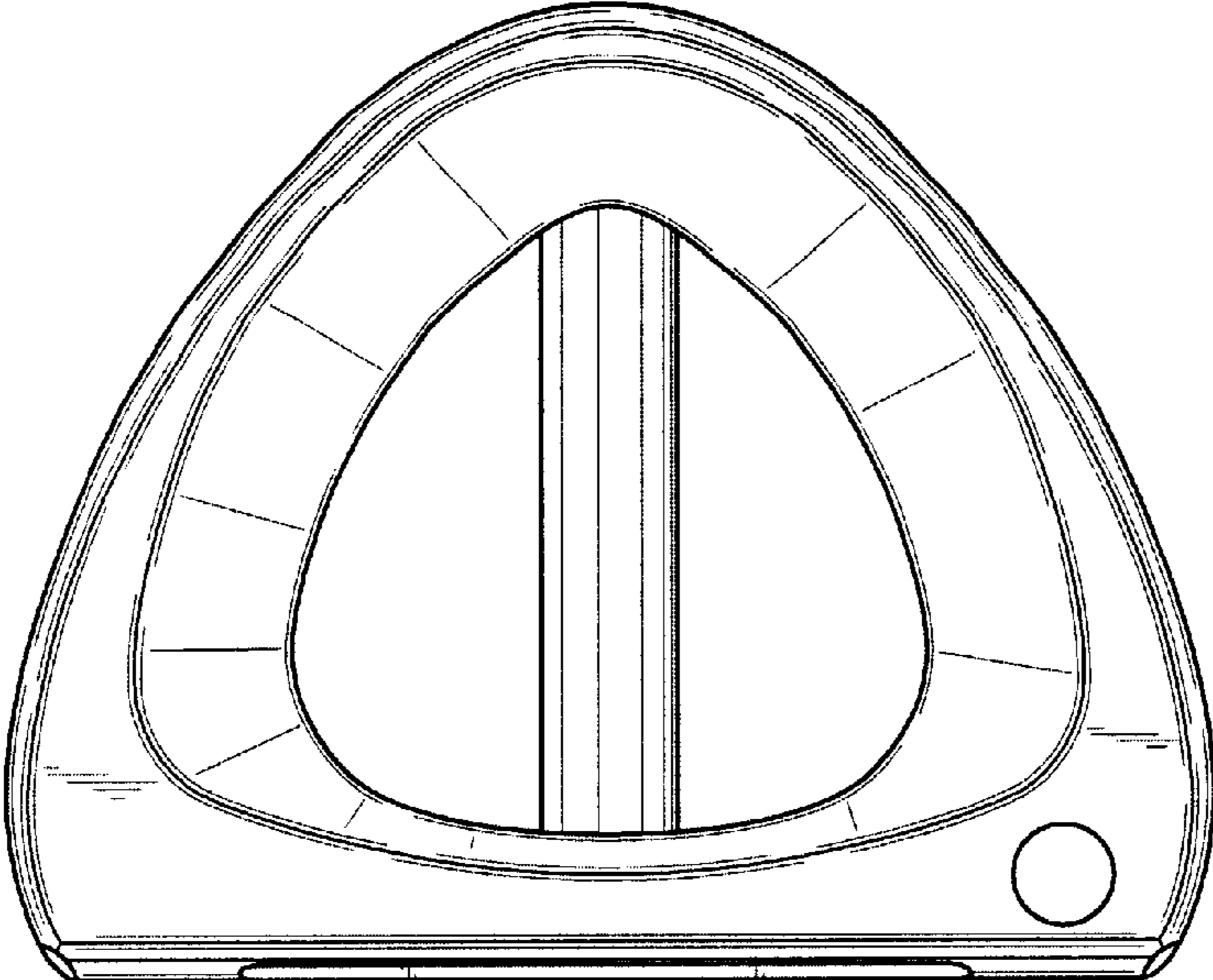


Fig. 5

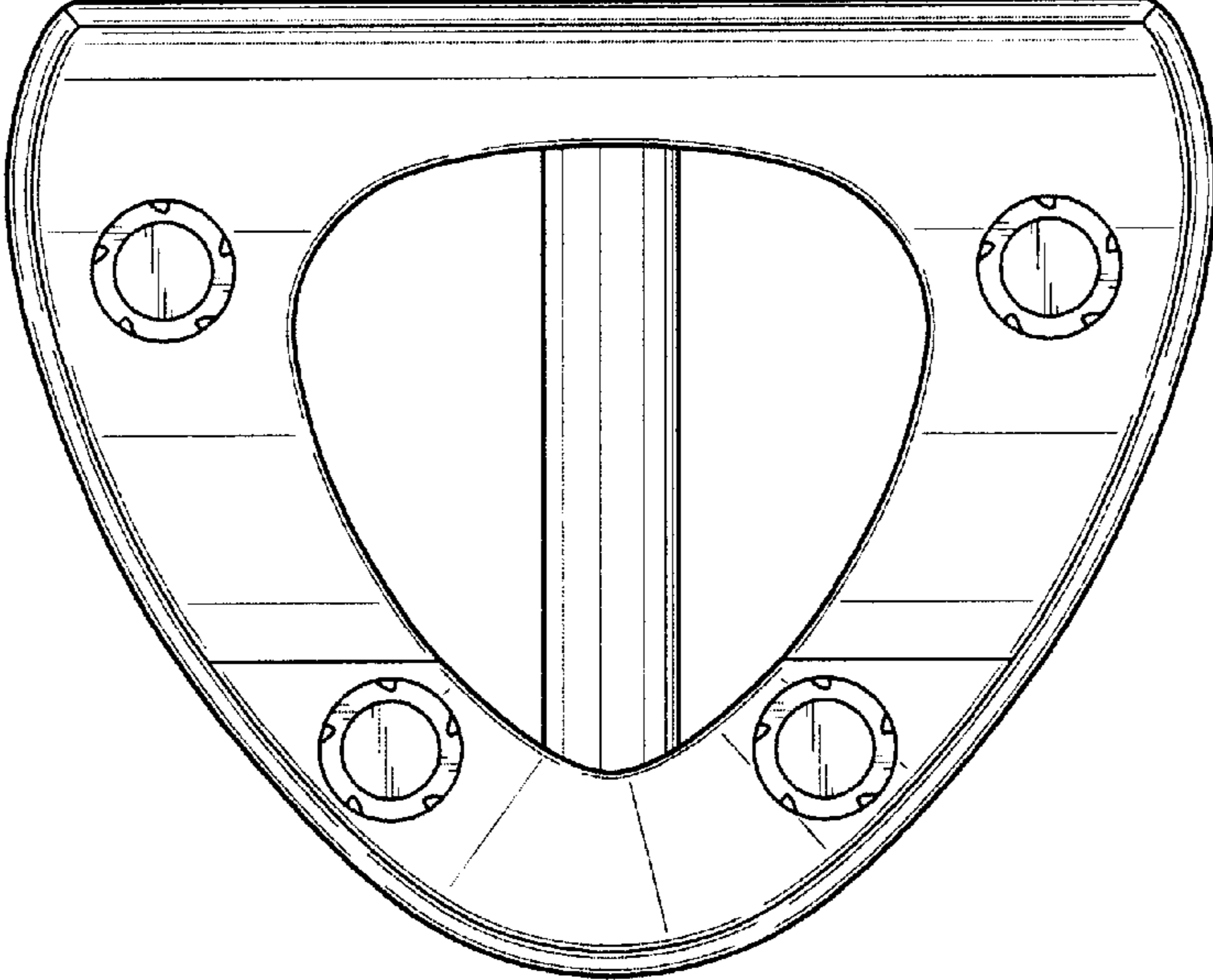


Fig. 6

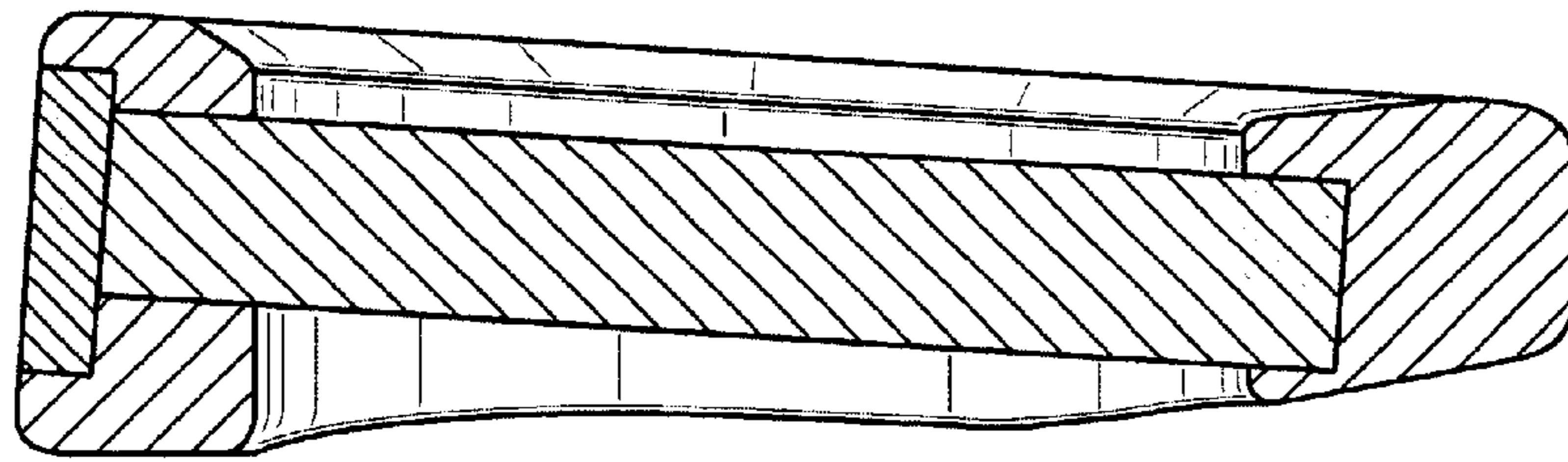


Fig. 7

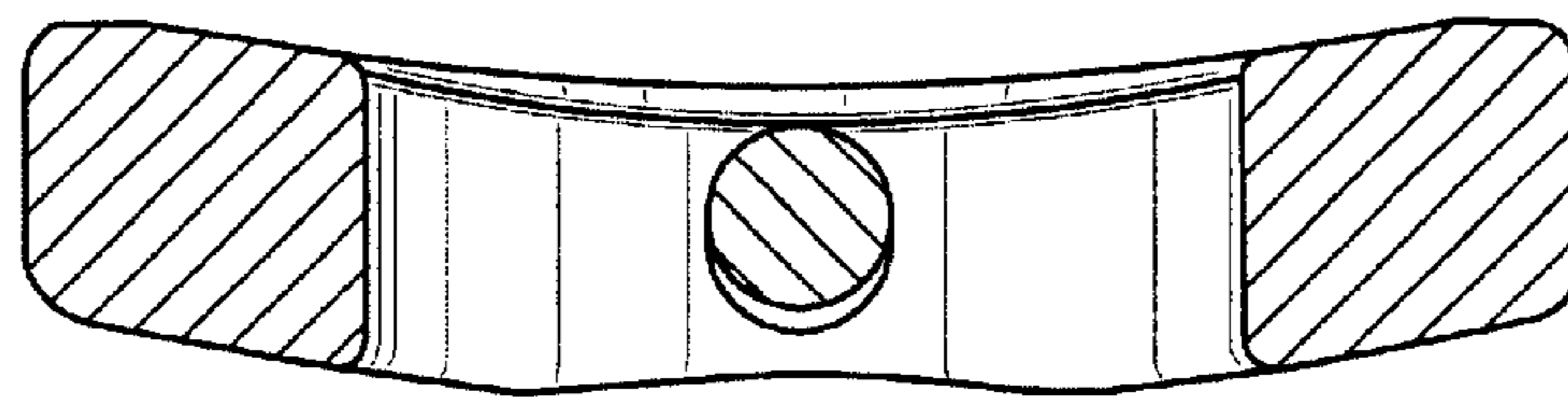


Fig. 8

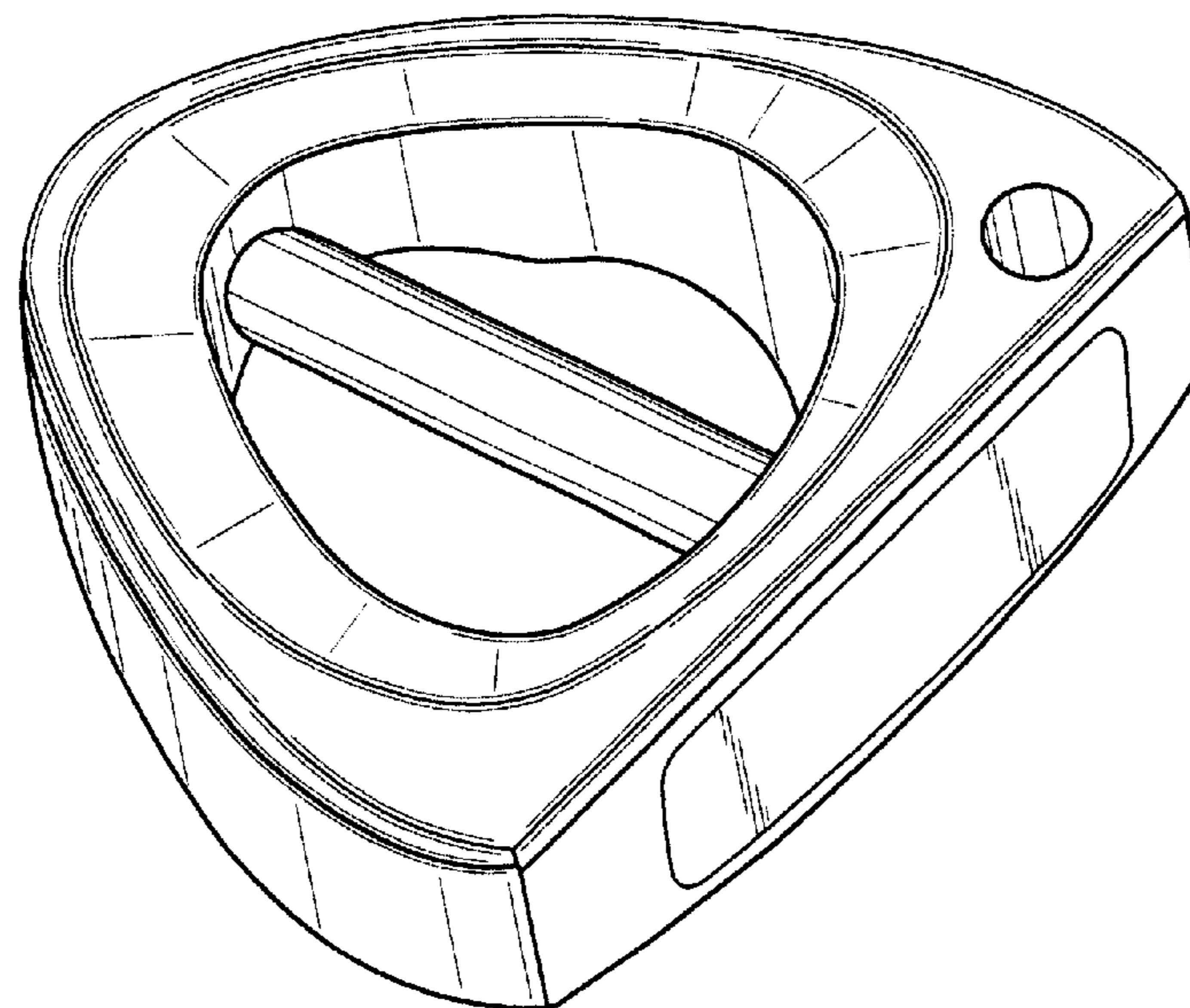


Fig. 9