

US00D537133S

(12) **United States Design Patent**
Chan

(10) **Patent No.:** **US D537,133 S**

(45) **Date of Patent:** **** Feb. 20, 2007**

(54) **JOINT FOR BILLIARD CUE**
(75) Inventor: **Richard Chan**, Richmond (CA)
(73) Assignee: **Jennifer Chen**, Taipei (TW)
(**) Term: **14 Years**

5,462,490 A * 10/1995 Donwen 473/49
5,927,894 A * 7/1999 Zavaglia 473/44
D444,519 S * 7/2001 Bourque D21/726
7,044,861 B1 * 5/2006 Nally et al. 473/44

* cited by examiner

Primary Examiner—Mitchell Siegel
(74) *Attorney, Agent, or Firm*—Bacon & Thomas

(21) Appl. No.: **29/240,680**
(22) Filed: **Oct. 18, 2005**

(57) **CLAIM**

The ornamental design for joint for billiard cue, as shown.

(30) **Foreign Application Priority Data**

Sep. 20, 2005 (TW) 94305624

(51) **LOC (8) Cl.** **21-02**
(52) **U.S. Cl.** **D21/726**
(58) **Field of Classification Search** D21/726;
473/44–51
See application file for complete search history.

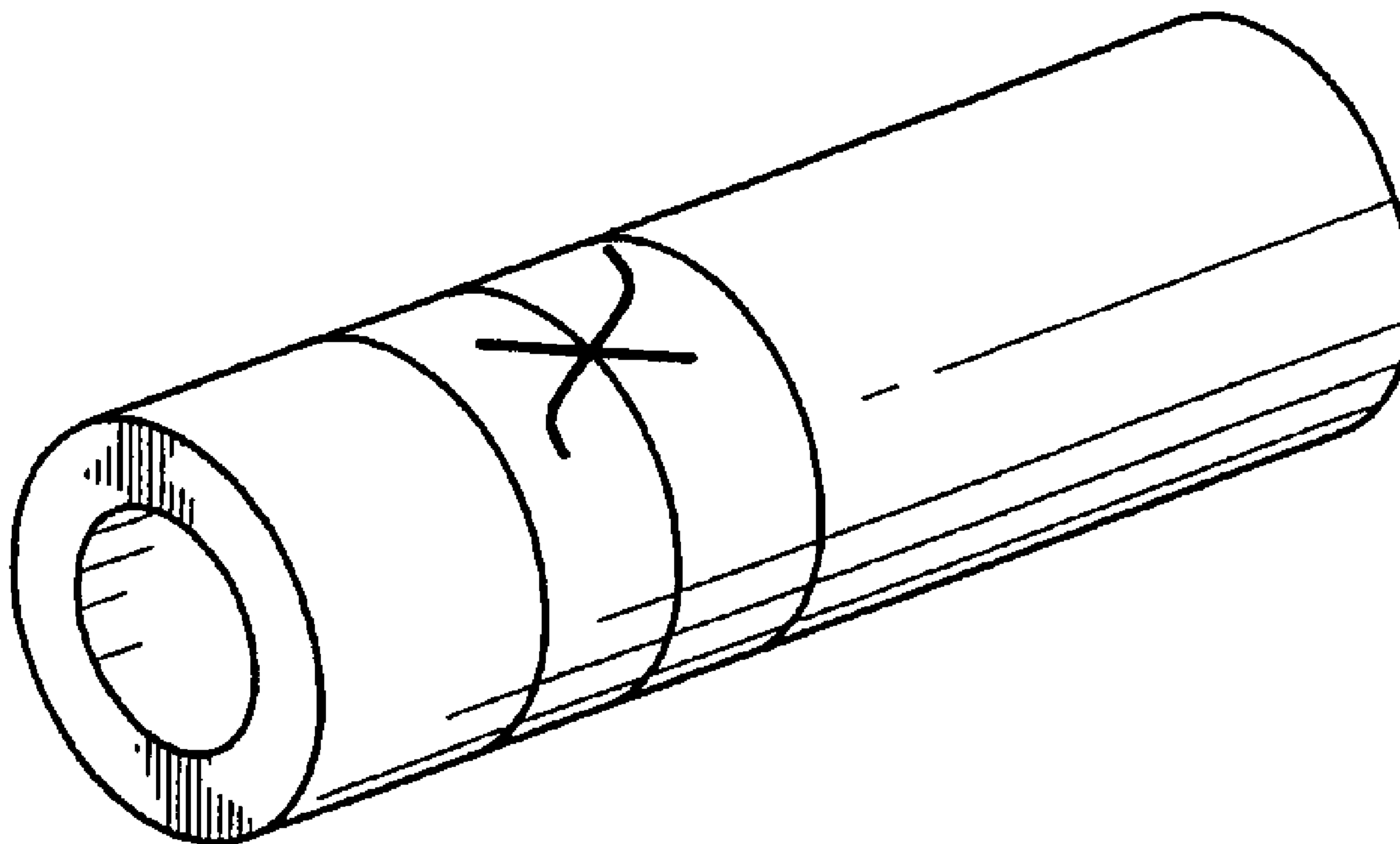
DESCRIPTION

FIG. 1 is a perspective view of joint for billiard cue showing my new design;
FIG. 2 is a front elevational view thereof;
FIG. 3 is a rear elevational view thereof;
FIG. 4 is a top plan view thereof;
FIG. 5 is a bottom plan view thereof;
FIG. 6 is a left side elevational view thereof;
FIG. 7 is a right side elevational view thereof; and,
FIG. 8 is an exploded perspective view thereof.

(56) **References Cited**
U.S. PATENT DOCUMENTS

5,062,636 A * 11/1991 Rahn 473/46

1 Claim, 2 Drawing Sheets



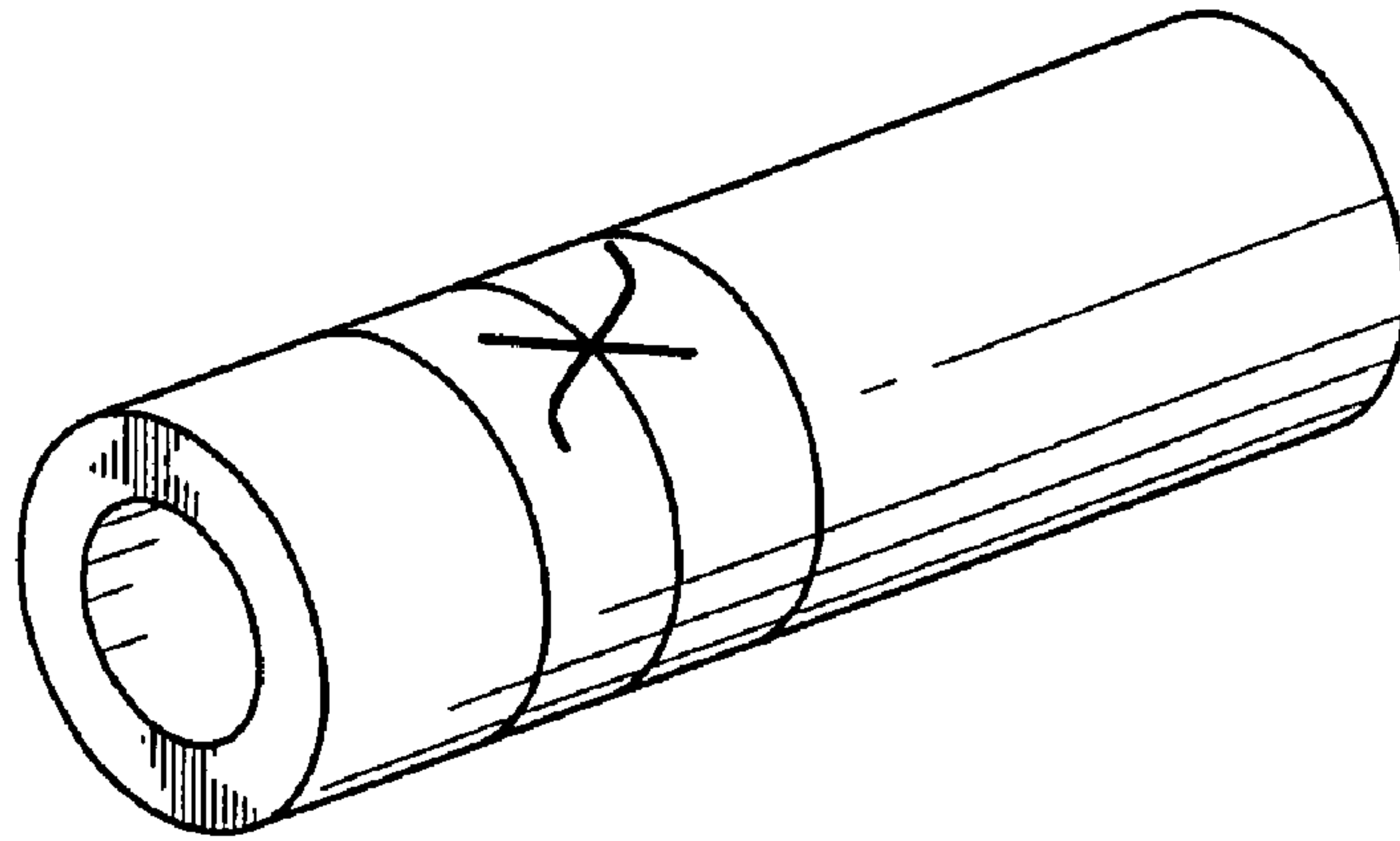


FIG. 1

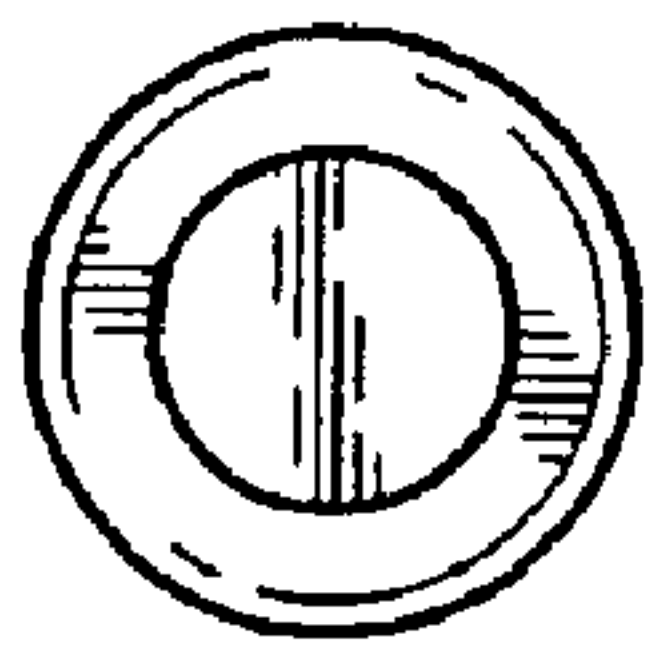


FIG. 2

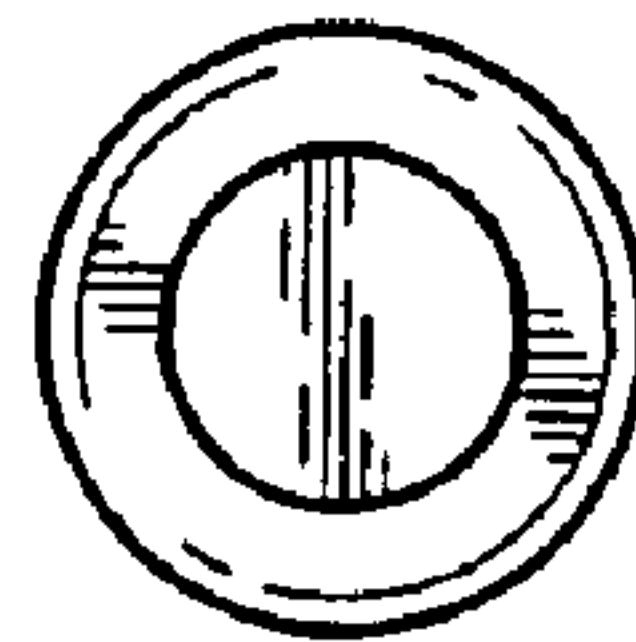


FIG. 3

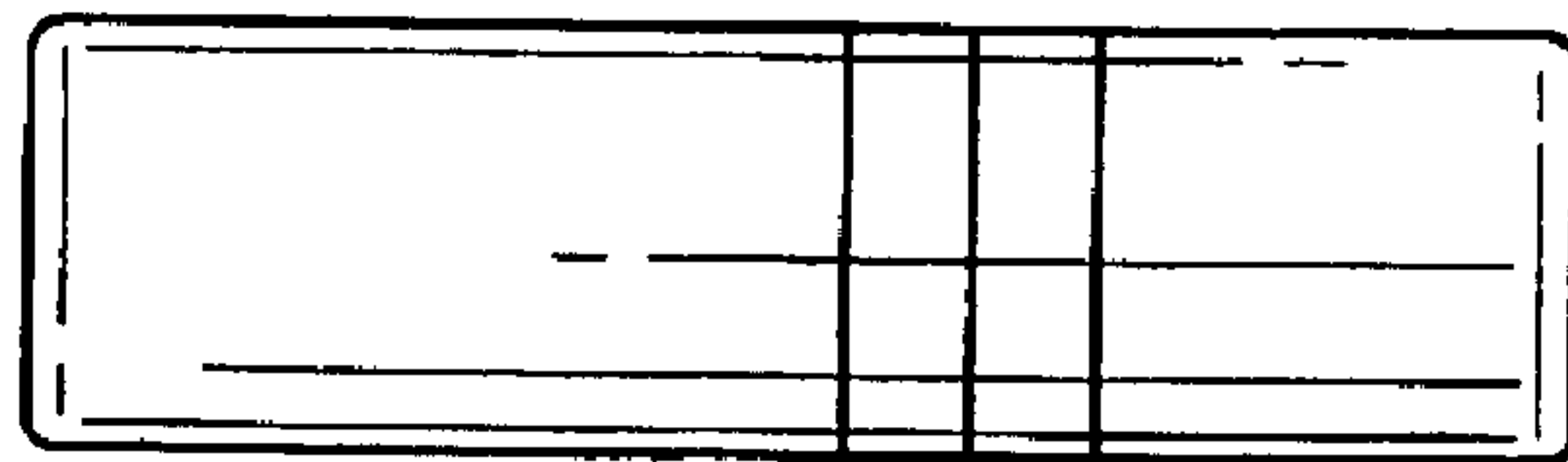


FIG. 4

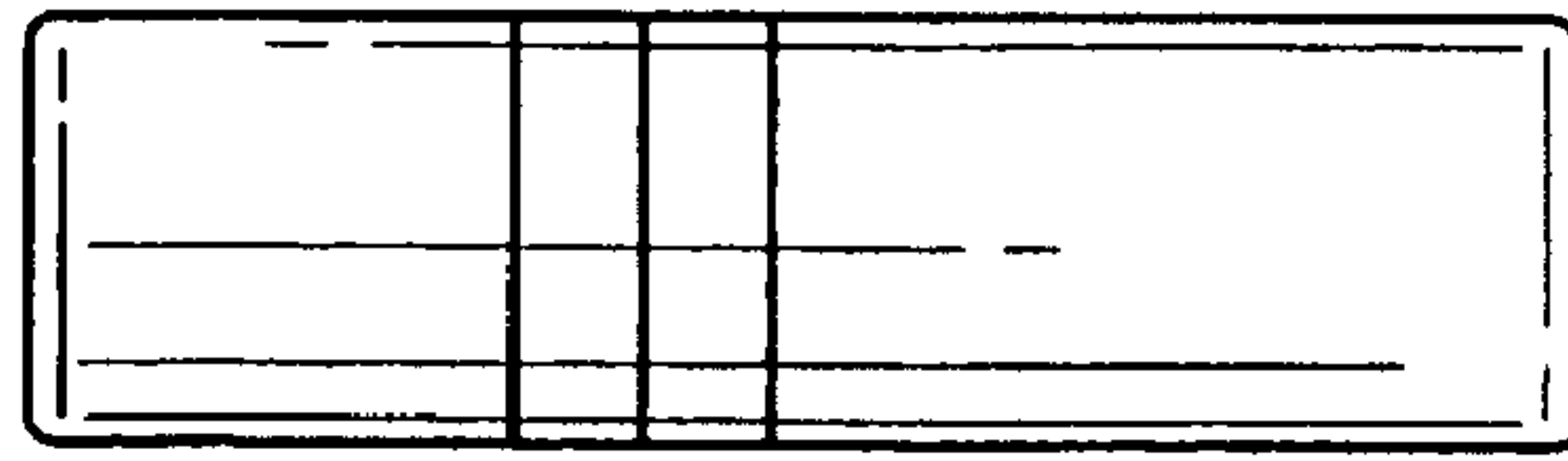


FIG. 5

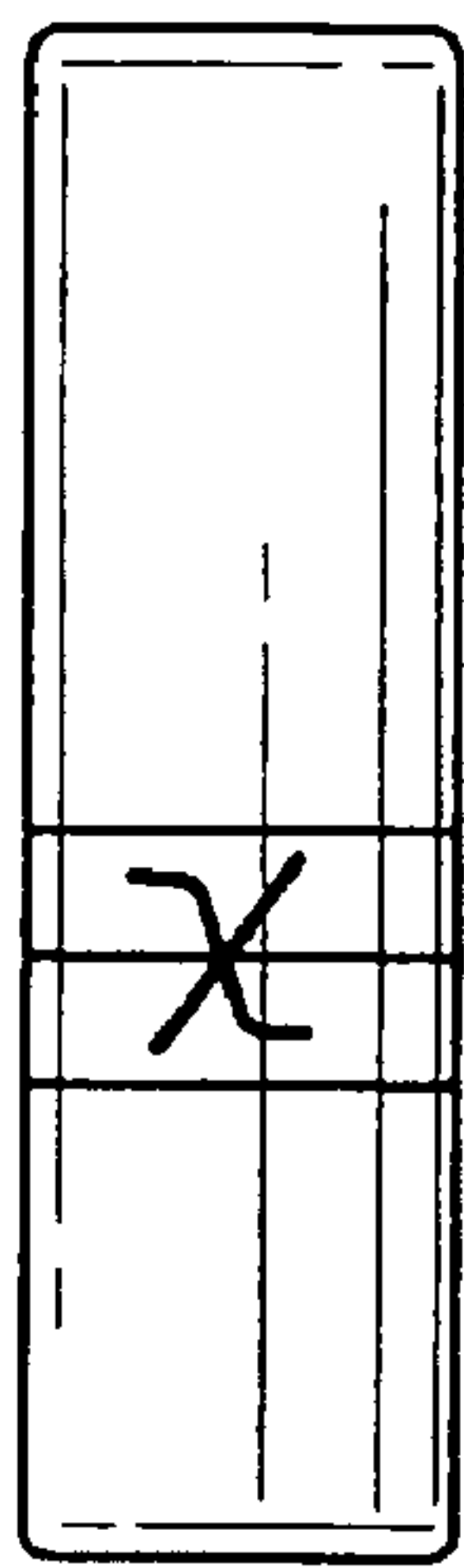


FIG. 6

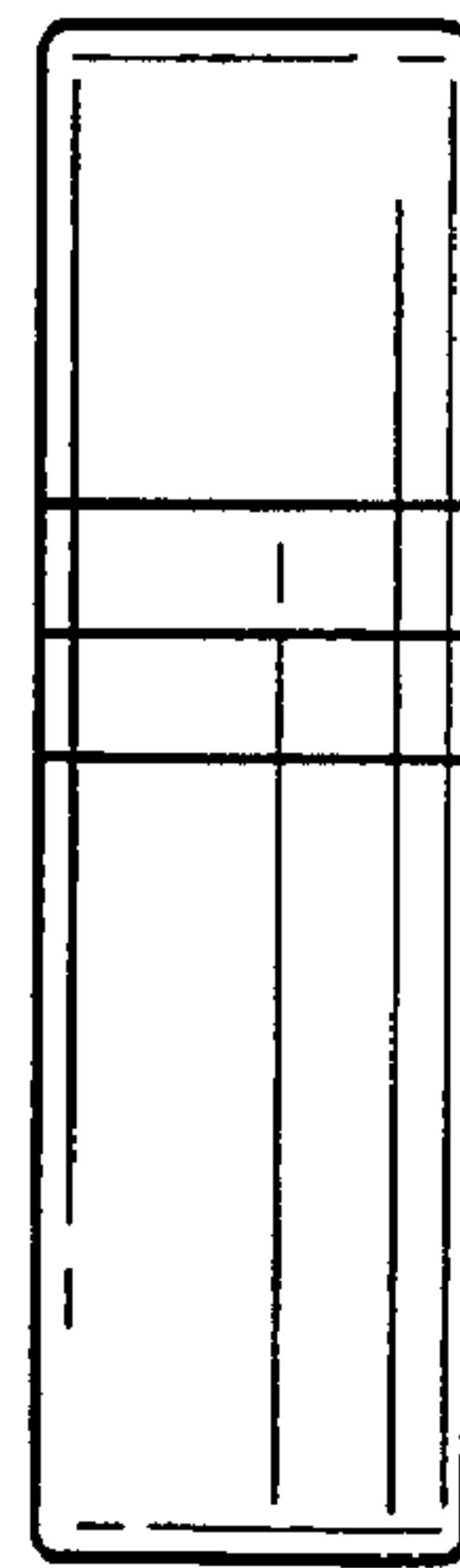


FIG. 7

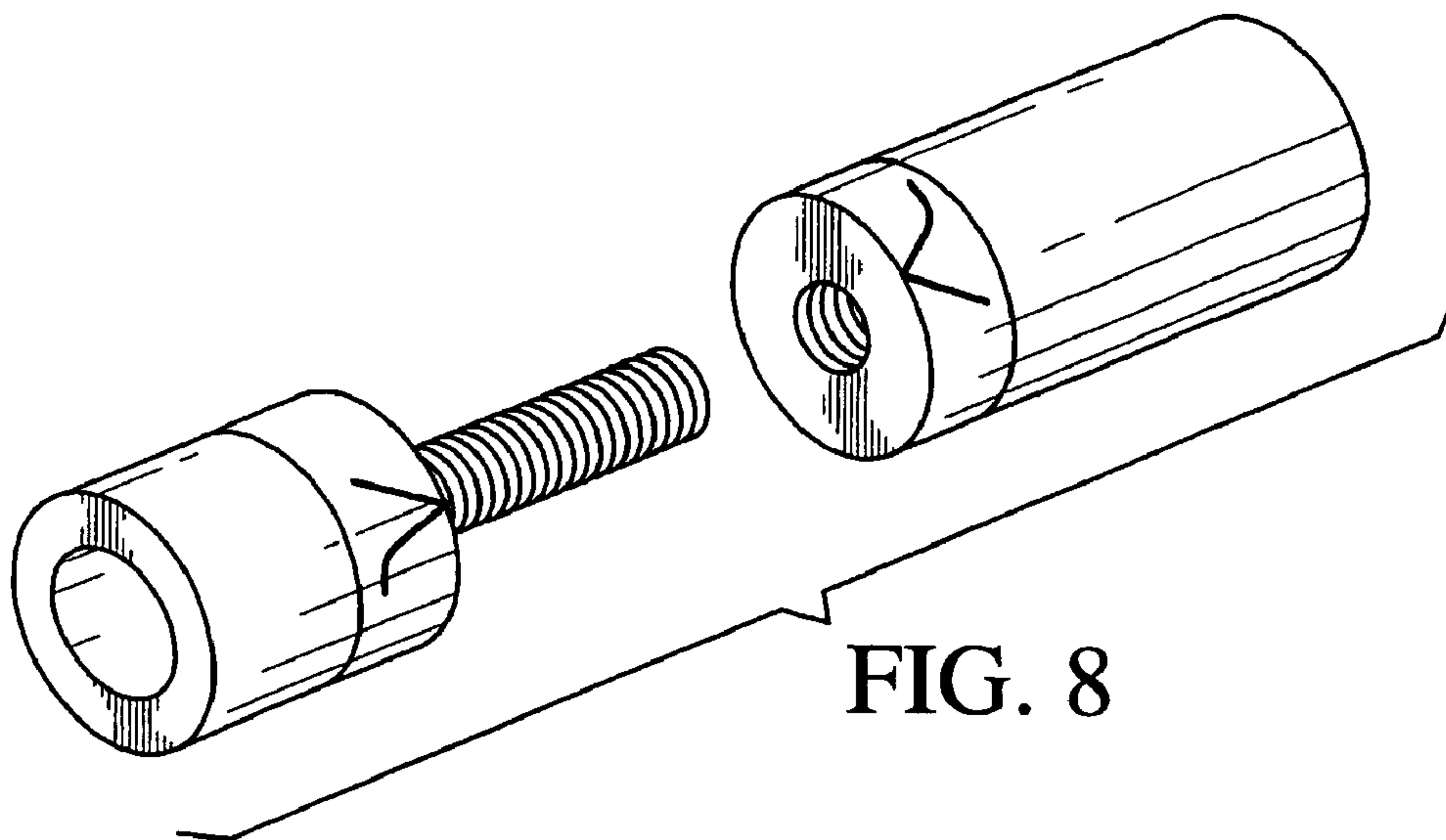


FIG. 8