



US00D537129S

(12) **United States Design Patent**  
**Barmes et al.**

(10) **Patent No.:** **US D537,129 S**

(45) **Date of Patent:** **\*\* Feb. 20, 2007**

(54) **TOY BEVERAGE CART**

(75) Inventors: **Mark S. Barmes**, 3469 E. Stoney  
Brook Ct., Vincennes, IN (US) 47591;  
**William Jackson**, DeMotte, IN (US)

(73) Assignee: **Mark S. Barmes**, Vincennes, IN (US)

(\*\*) Term: **14 Years**

(21) Appl. No.: **29/227,148**

(22) Filed: **Apr. 7, 2005**

**Related U.S. Application Data**

(63) Continuation-in-part of application No. 29/224,317, filed on Feb. 28, 2005.

(51) **LOC (8) Cl.** ..... **21-02**

(52) **U.S. Cl.** ..... **D21/551; D7/599; D7/619.2**

(58) **Field of Classification Search** ..... D21/533,  
D21/534, 536, 548, 559, 562, 551; D12/91,  
D12/92; D7/604, 605, 606, 602, 599, 619.2;  
248/309.1, 311.2; 62/457.1, 457.3

See application file for complete search history.

(56) **References Cited**

**U.S. PATENT DOCUMENTS**

1,587,083 A	6/1926	Neuzerling
1,602,424 A	10/1926	Wood
1,952,442 A	3/1934	Korte
1,972,376 A	9/1934	Decker
2,054,644 A	9/1936	Wulfert
2,751,712 A	6/1956	Klint
2,852,888 A	9/1958	Howard
3,239,963 A	3/1966	Smith et al.
D220,837 S	6/1971	Mattson

4,573,941 A	3/1986	Holden et al.
4,579,544 A	4/1986	Matsushiro
4,596,534 A	6/1986	Ishimoto
D326,831 S	6/1992	Lanius et al.
D340,208 S	10/1993	Wolfe et al.
D393,609 S	4/1998	Kanthak et al.
D432,460 S	10/2000	Huang
D457,572 S	5/2002	Hornsby et al.
D483,079 S	12/2003	Wang et al.
6,666,746 B2	12/2003	Aldred et al.
D521,323 S	5/2006	Cox
2001/0031604 A1	10/2001	Hornsby et al.
2003/0124953 A1	7/2003	Hornsby et al.

*Primary Examiner*—Philip S. Hyder

(74) *Attorney, Agent, or Firm*—Brinks Hofer Gilson & Lione

(57) **CLAIM**

We claim the ornamental design for a toy beverage cart, as shown and described.

**DESCRIPTION**

FIG. 1 is a side elevation view of a toy beverage cart of the present invention.

FIG. 2 is a side elevation view of the opposite side of the toy beverage cart shown in FIG. 1.

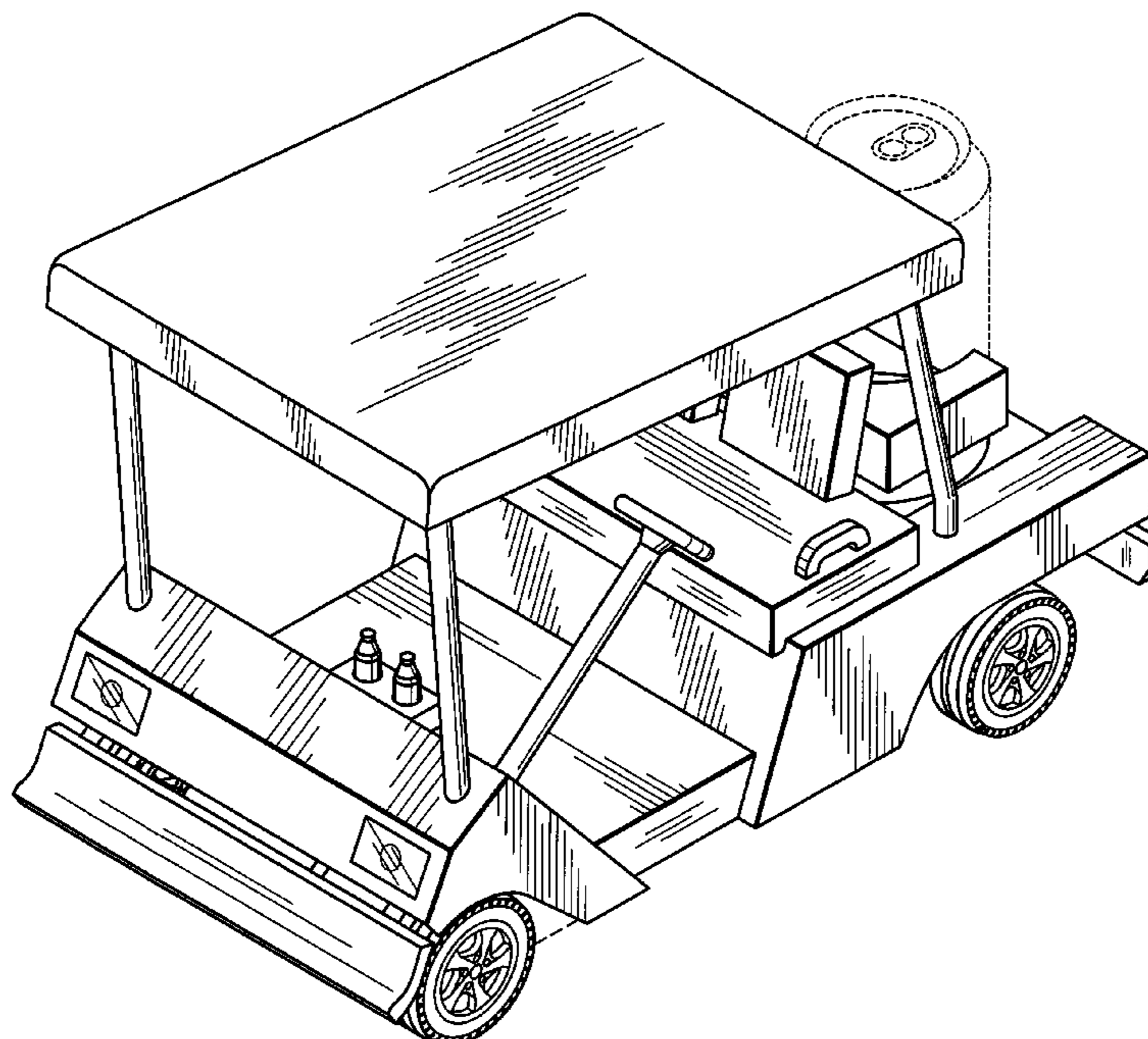
FIG. 3 is a front plan view of the toy beverage cart shown in FIGS. 1 and 2.

FIG. 4 is a rear plan view of the toy beverage cart shown in FIGS. 1–3; and,

FIG. 5 is a perspective view of the top, front and left sides of the toy beverage cart shown in the prior figures.

The broken line showing the bottom portion of the cart forms no part of the claimed design.

**1 Claim, 4 Drawing Sheets**



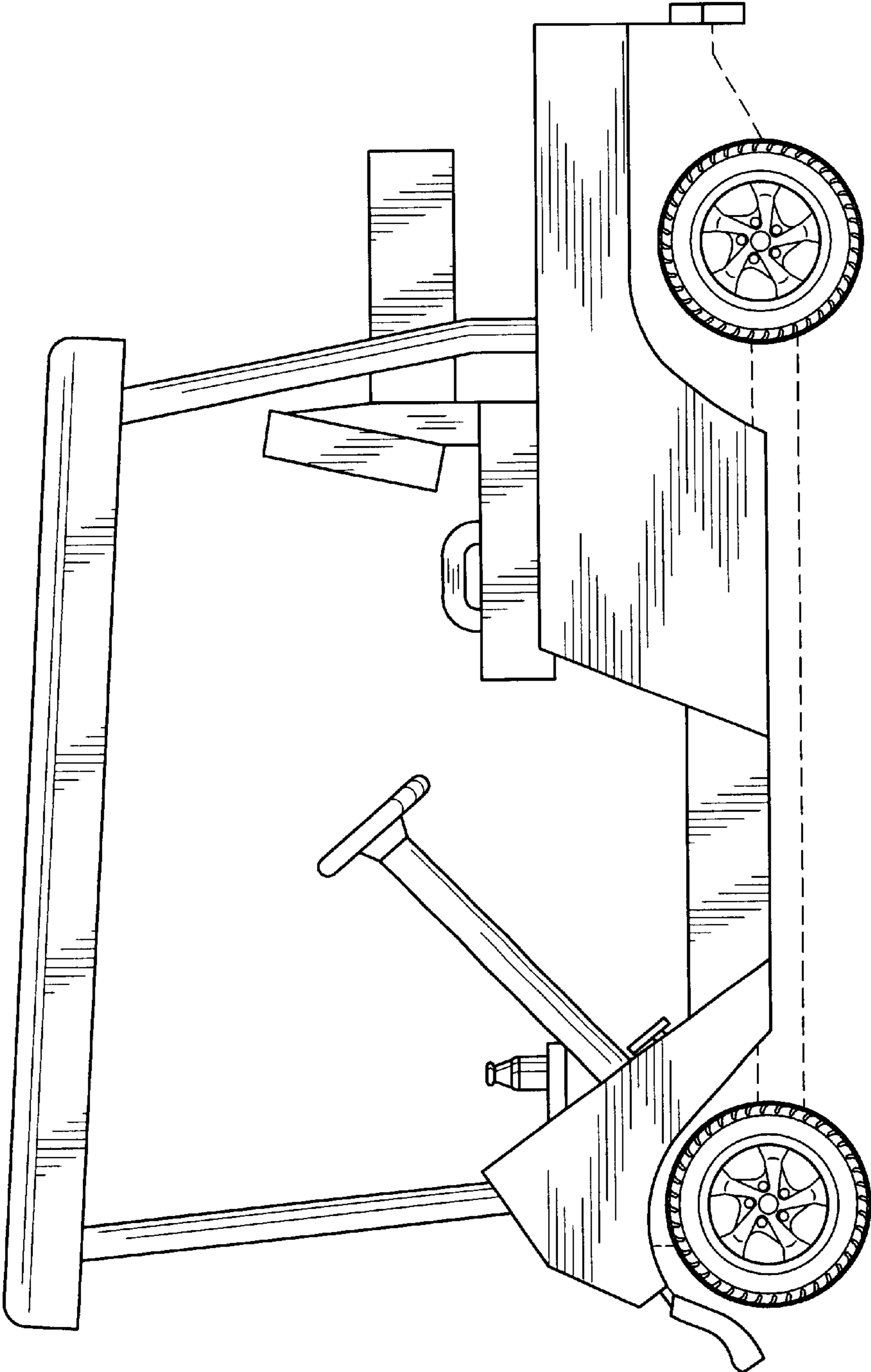


Fig. 1

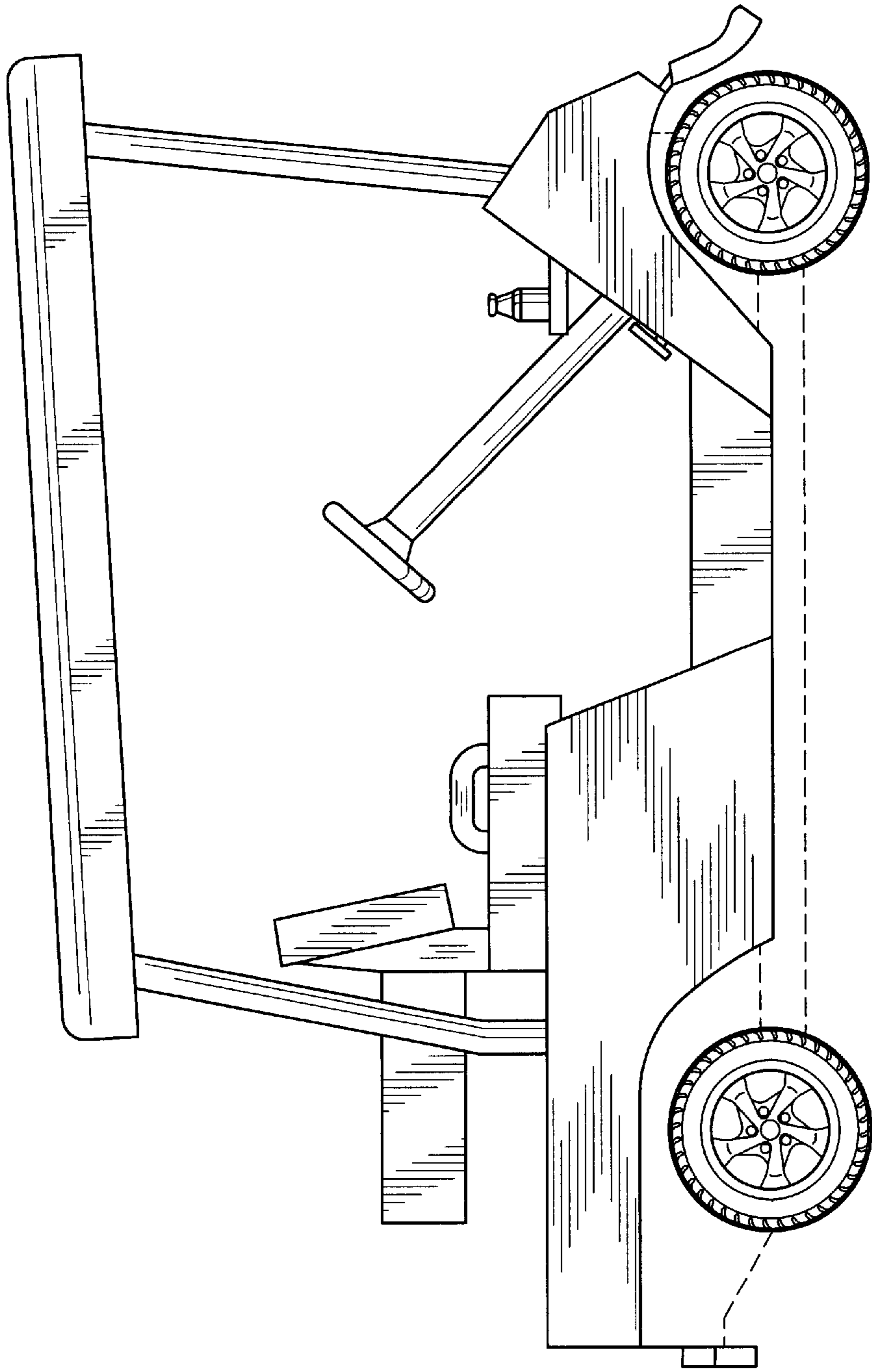


Fig. 2

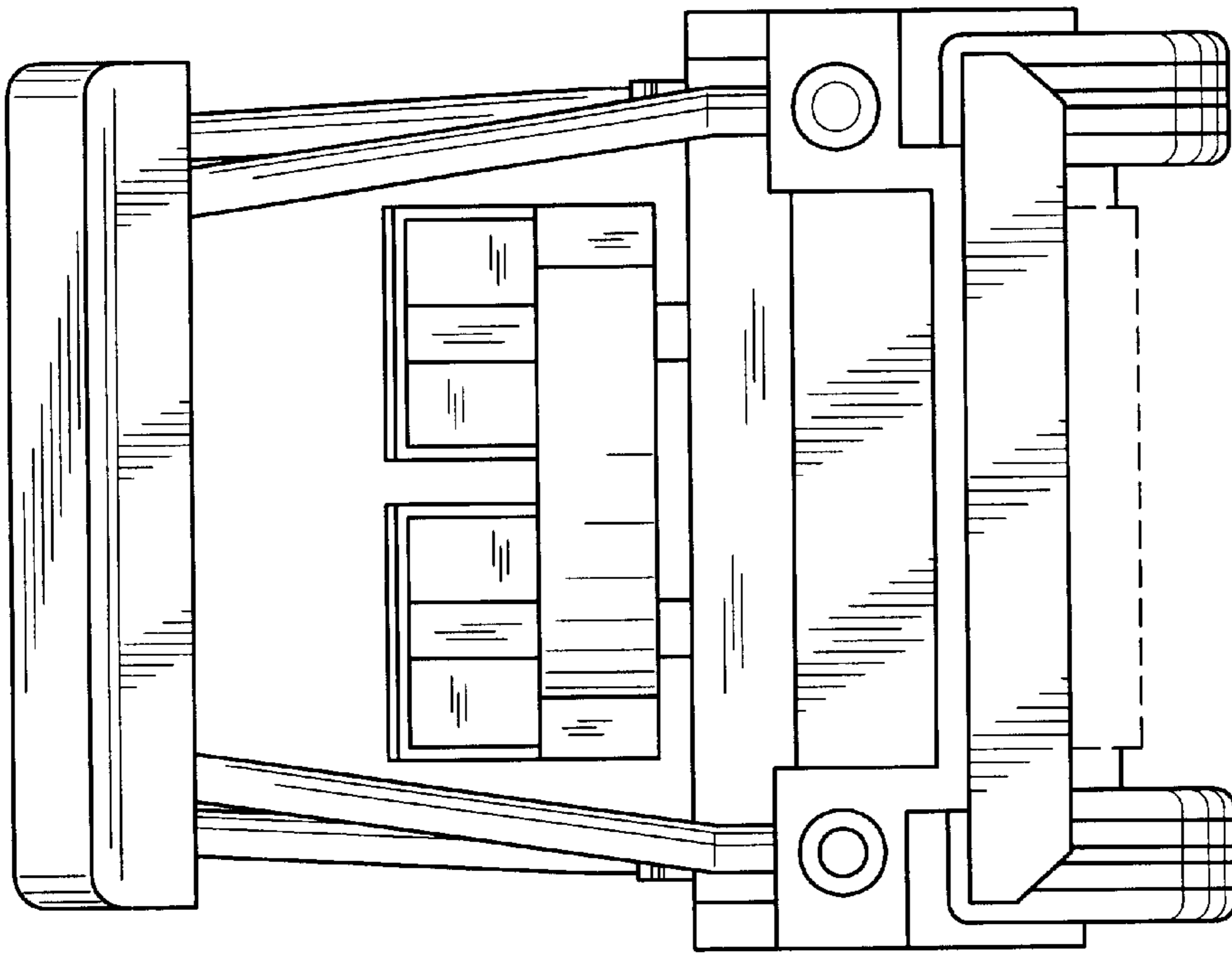


Fig. 4

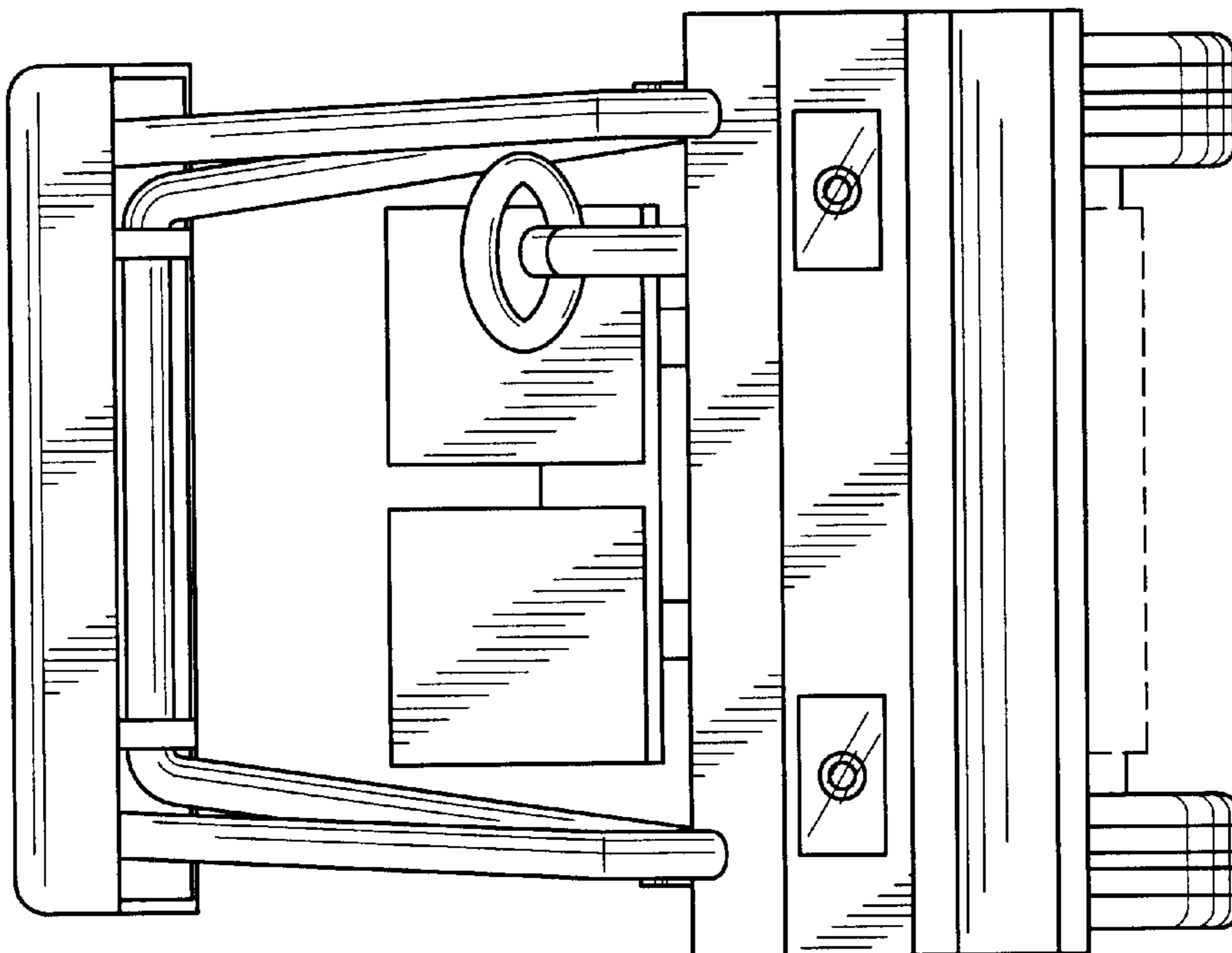


Fig. 3

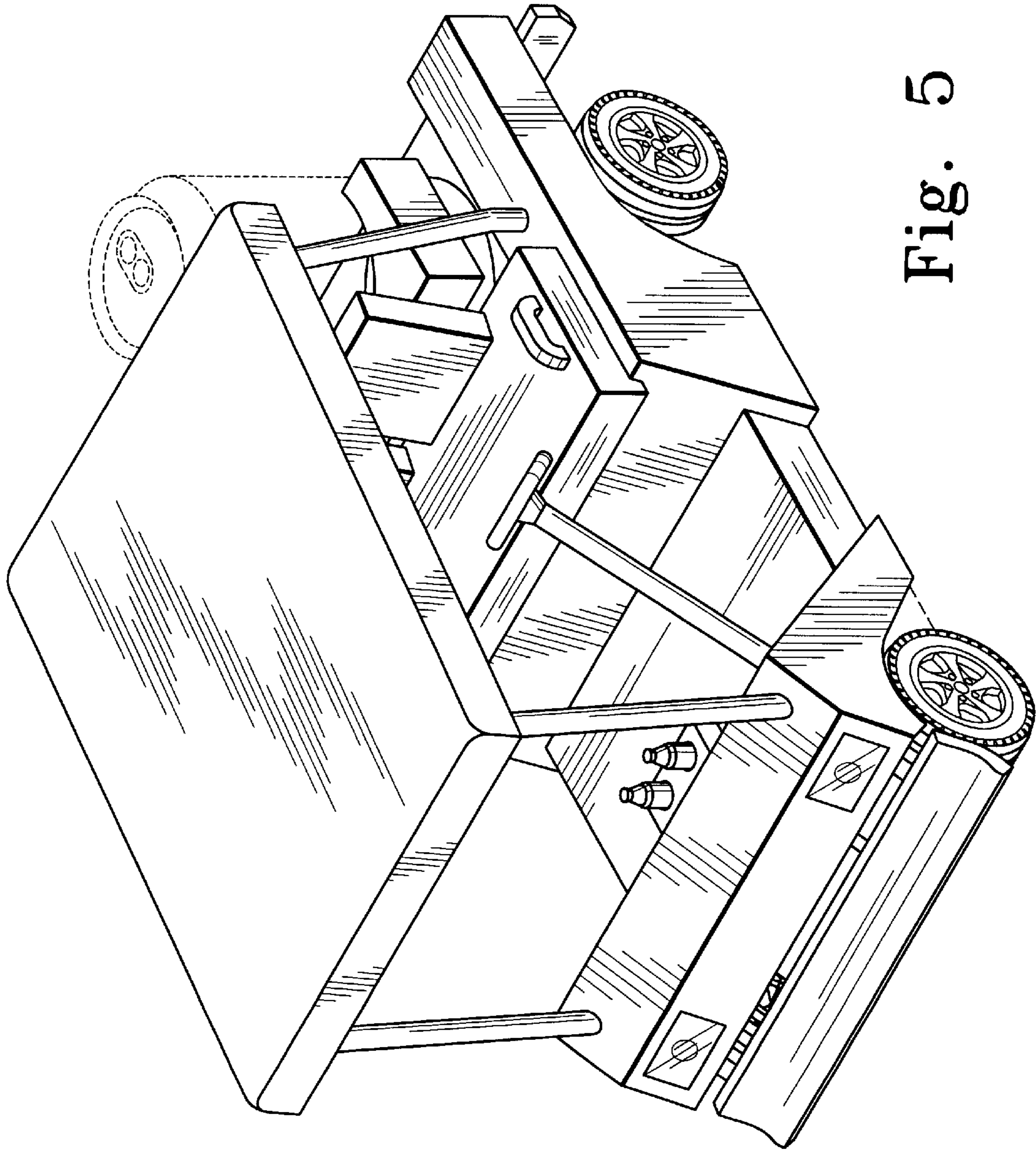


Fig. 5