



US00D537126S

(12) **United States Design Patent**  
**Boyd et al.**

(10) **Patent No.:** **US D537,126 S**  
(45) **Date of Patent:** **\*\* Feb. 20, 2007**

(54) **INFORMATIONAL DISPLAY ASSEMBLY FOR A GAMING TABLE**

(75) Inventors: **Scott Boyd**, Las Vegas, NV (US);  
**Kevan Wilkins**, Las Vegas, NV (US);  
**Rick Rowe**, Las Vegas, NV (US)

(73) Assignee: **IGT**, Reno, NV (US)

(\*\*) Term: **14 Years**

(21) Appl. No.: **29/238,107**

(22) Filed: **Sep. 9, 2005**

(51) **LOC (8) Cl.** ..... **21-03**

(52) **U.S. Cl.** ..... **D21/369; D21/396; D14/129**

(58) **Field of Classification Search** ..... D21/334-373,  
D21/385, 396, 397; D14/126, 129, 371, 448;  
108/50.01-50.02; 312/208.1, 223.1; 273/236-285,  
273/148 R, 309; 463/12-13, 46  
See application file for complete search history.

(56) **References Cited**

**U.S. PATENT DOCUMENTS**

D184,996 S	*	4/1959	Goldstein et al.	.....	D14/129
4,614,342 A	*	9/1986	Takashima	.....	463/26
D429,770 S	*	8/2000	Luciano et al.	.....	D21/369
D461,190 S	*	8/2002	Bell	.....	D14/448
D521,569 S	*	5/2006	Rowe et al.	.....	D21/397

\* cited by examiner

*Primary Examiner*—Sandra L. Morris

(74) *Attorney, Agent, or Firm*—Beyer Weaver & Thomas LLP

(57) **CLAIM**

We claim the ornamental design for an informational display assembly for a gaming table as shown and described.

**DESCRIPTION**

FIG. 1 is a reduced top perspective view of an informational display assembly for a gaming table, showing our new design, installed within a gaming table;

FIG. 2 is a top perspective view thereof, showing a display screen in one position;

FIG. 3 is a top perspective view thereof, showing a display screen in another position;

FIG. 4 is a top plan view of the perspective view of FIG. 2;

FIG. 5 is a top plan view of the perspective view of FIG. 3;

FIG. 6 is a bottom plan view thereof.

FIG. 7 is a front elevation view thereof;

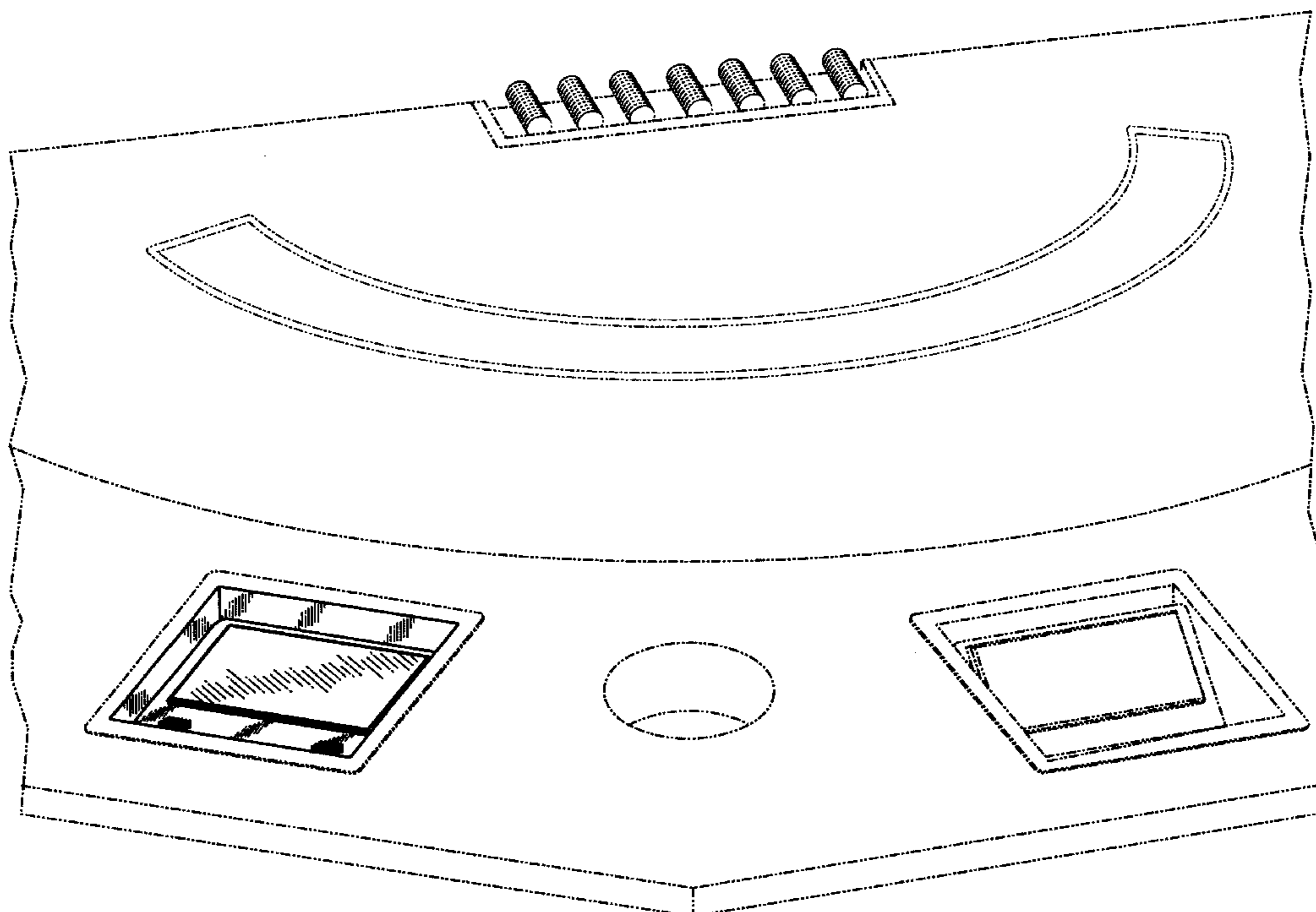
FIG. 8 is a rear elevation view thereof;

FIG. 9 is a right side elevation view thereof; and,

FIG. 10 is a left side elevation view thereof.

The phantom line showings throughout the views are for illustrative purposes only and form no part of the claimed design.

**1 Claim, 7 Drawing Sheets**



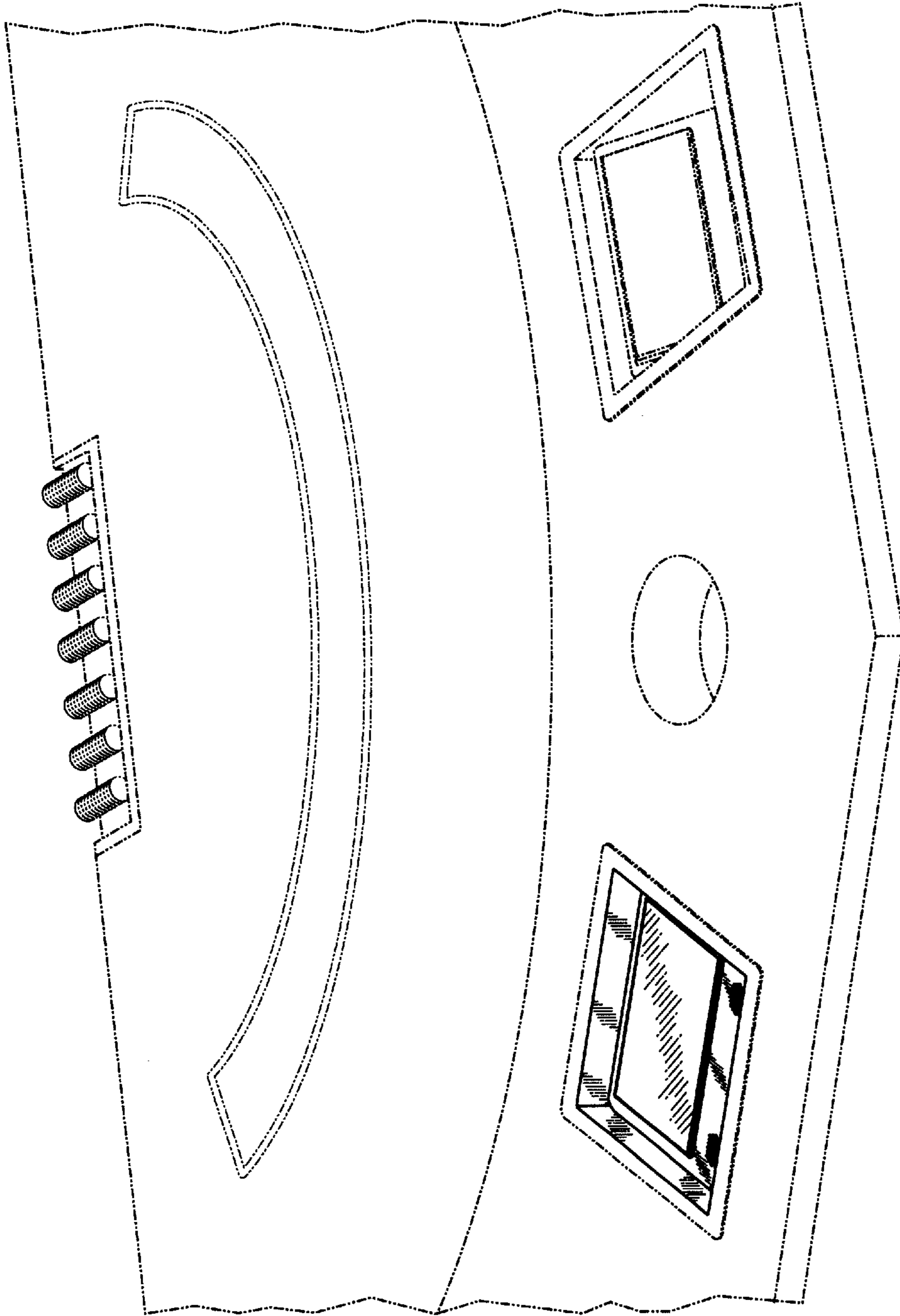


FIG. 1

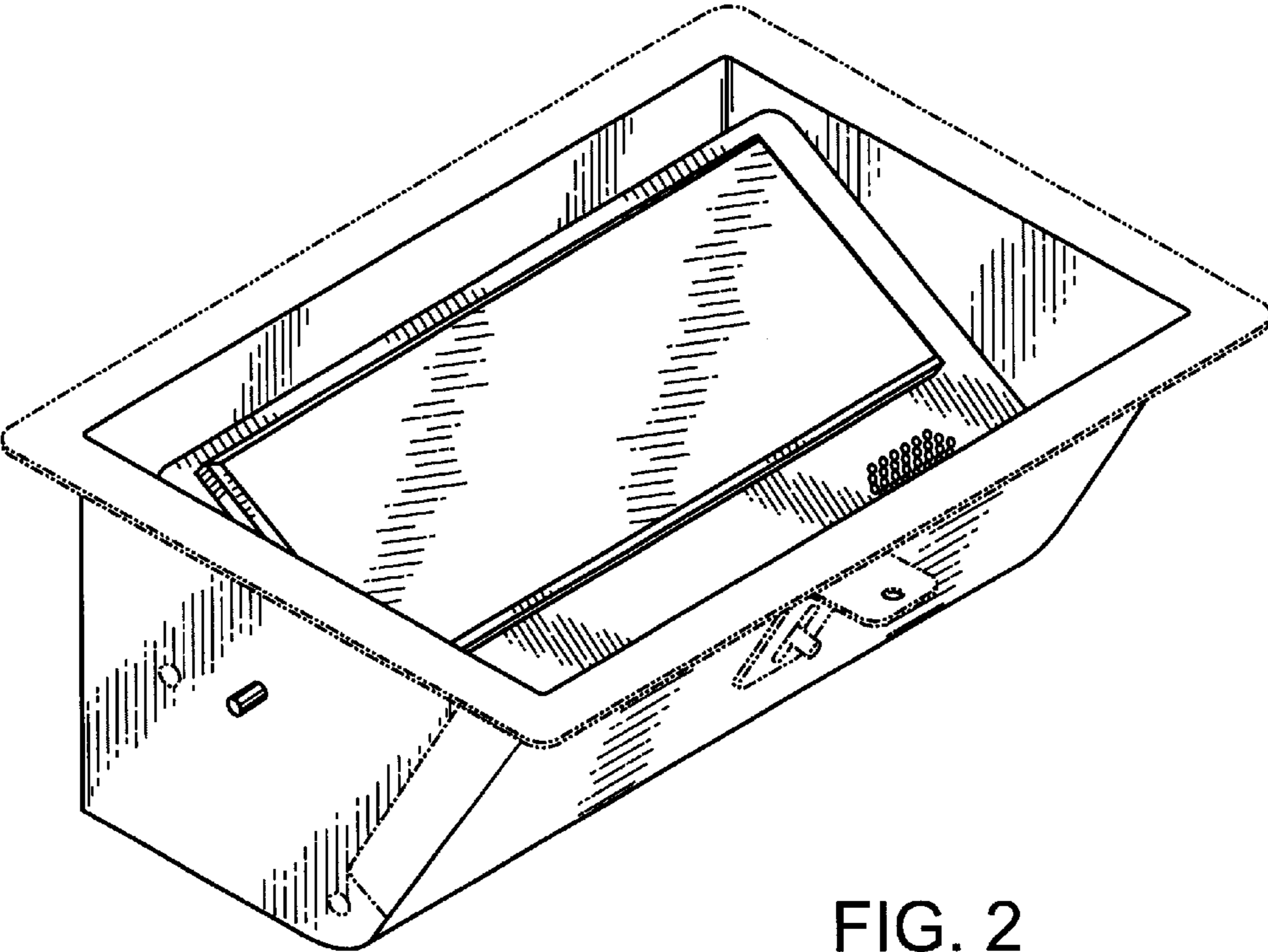


FIG. 2

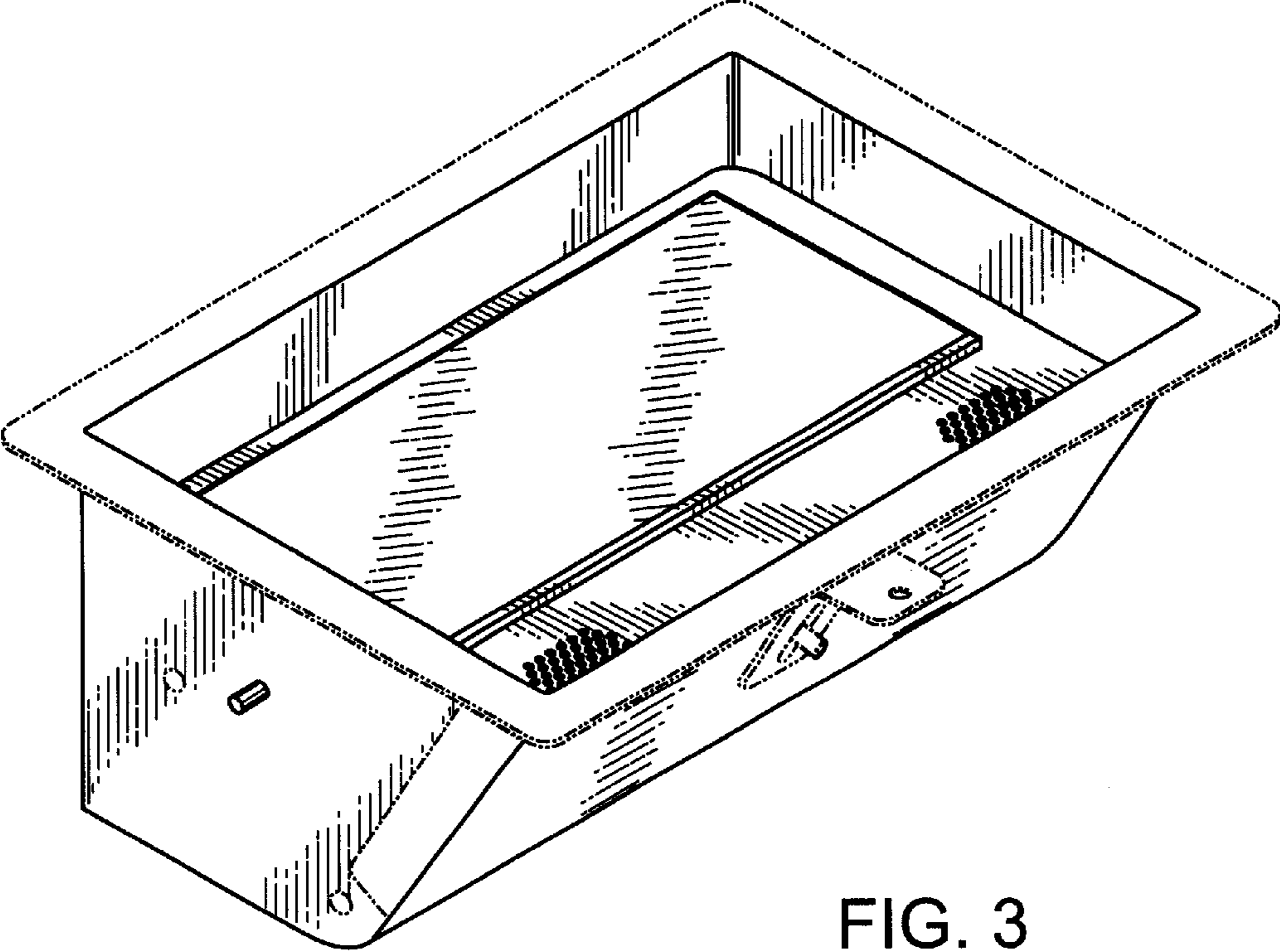


FIG. 3

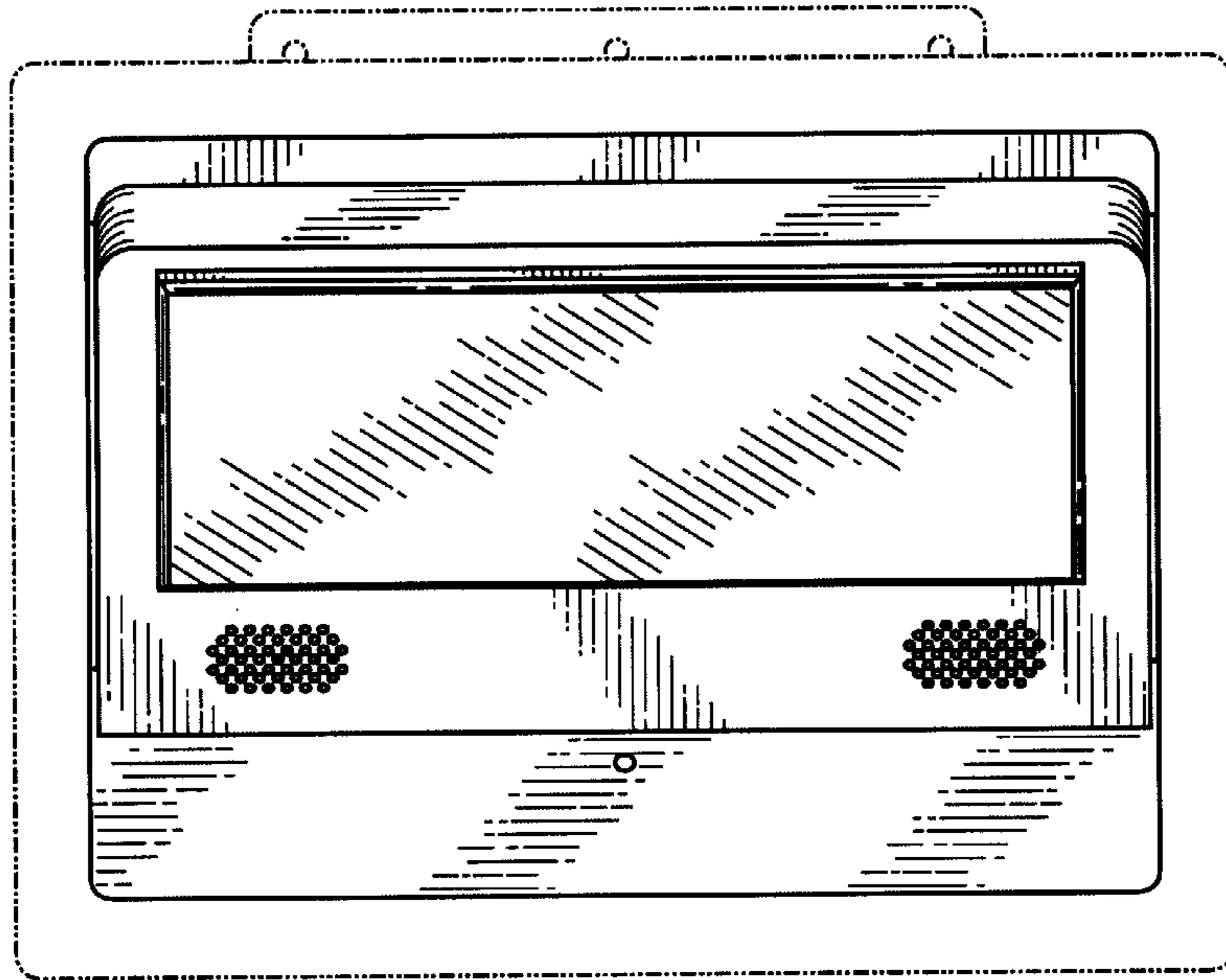


FIG. 4

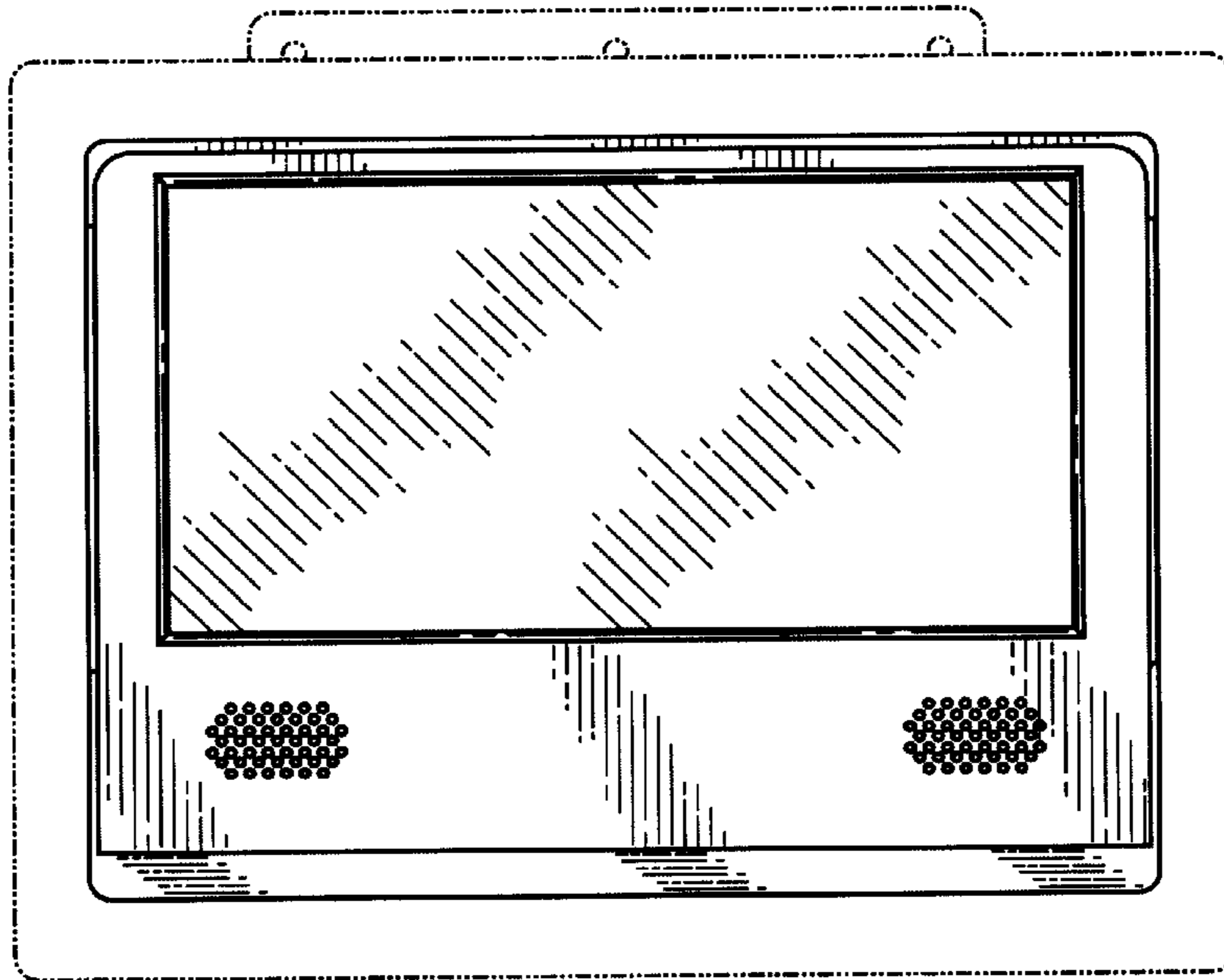


FIG. 5

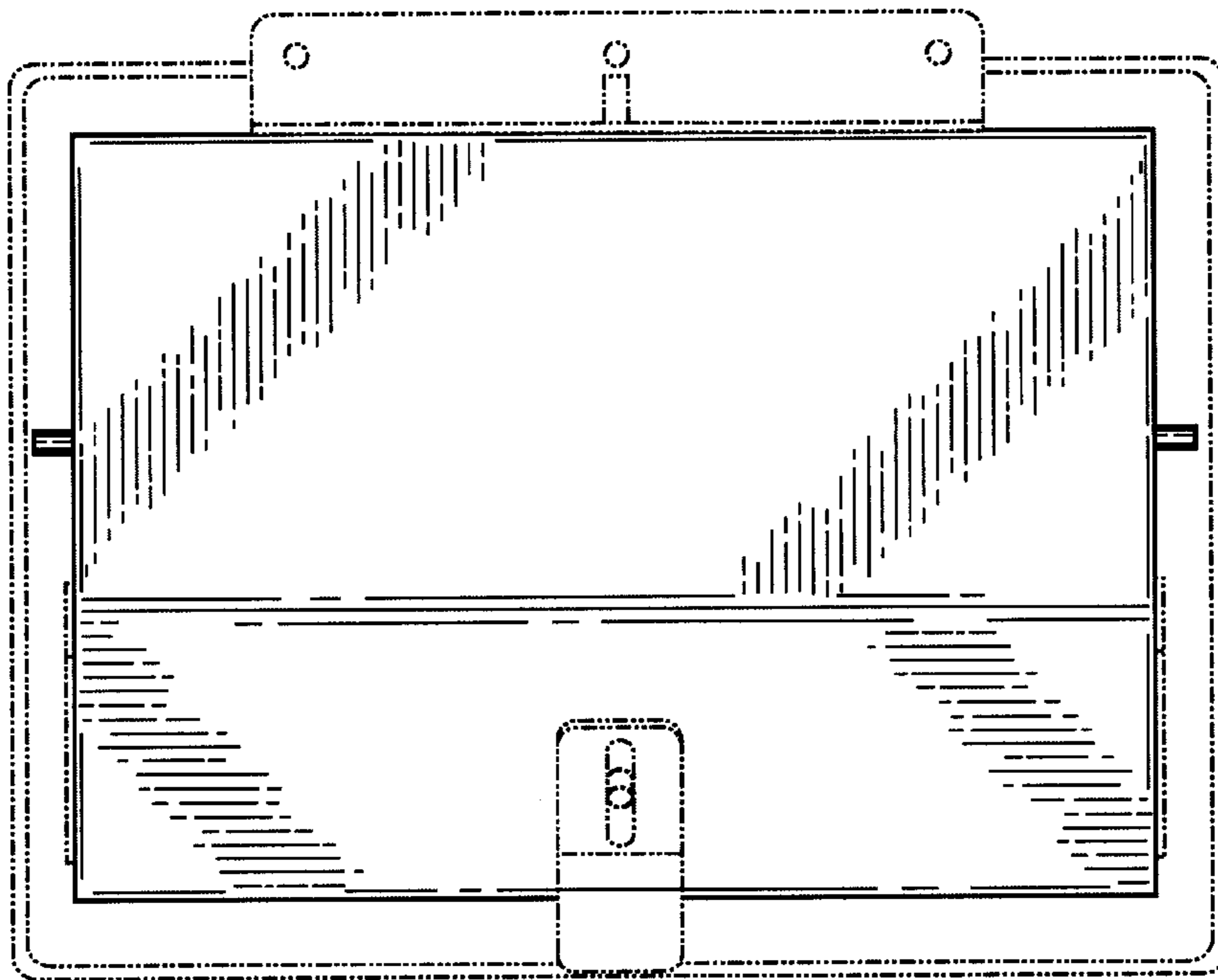


FIG. 6

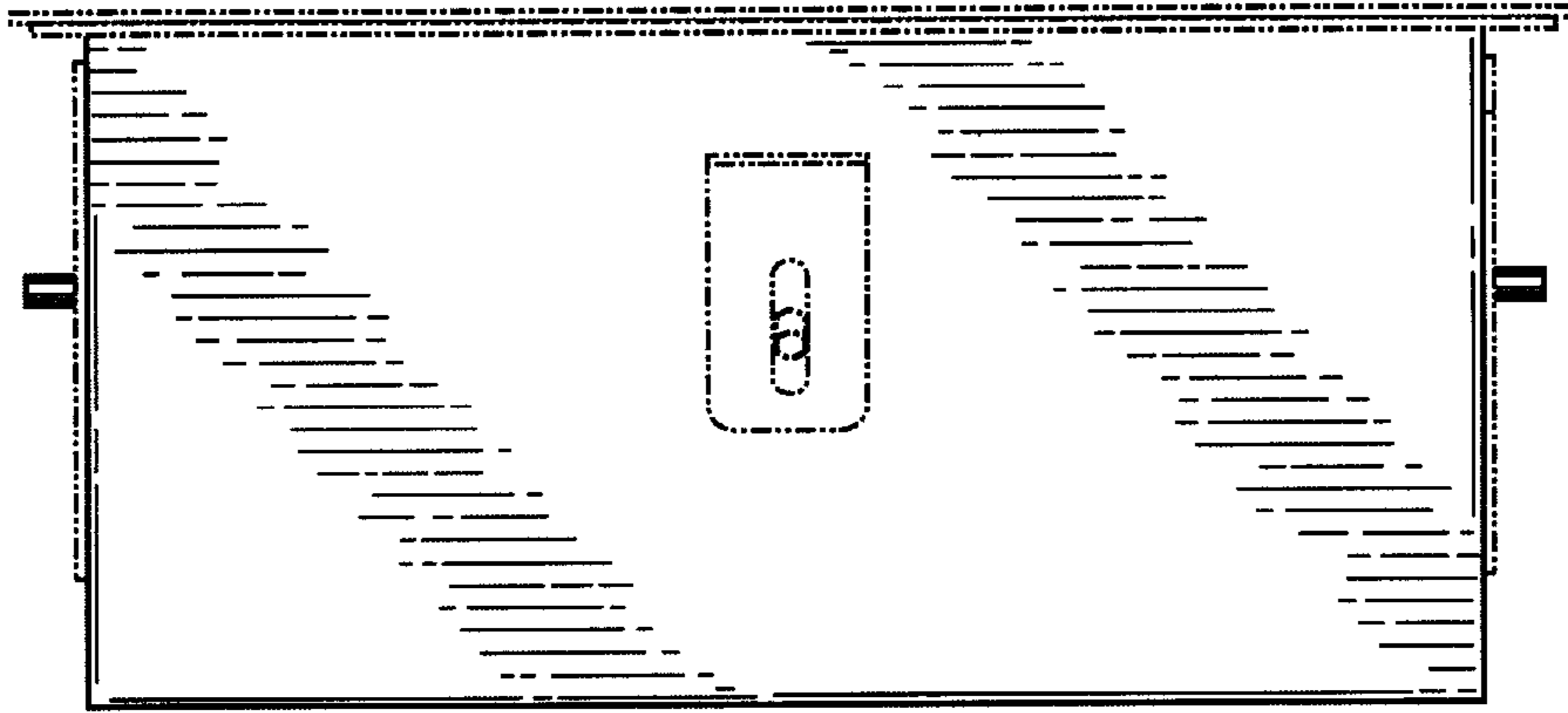


FIG. 7

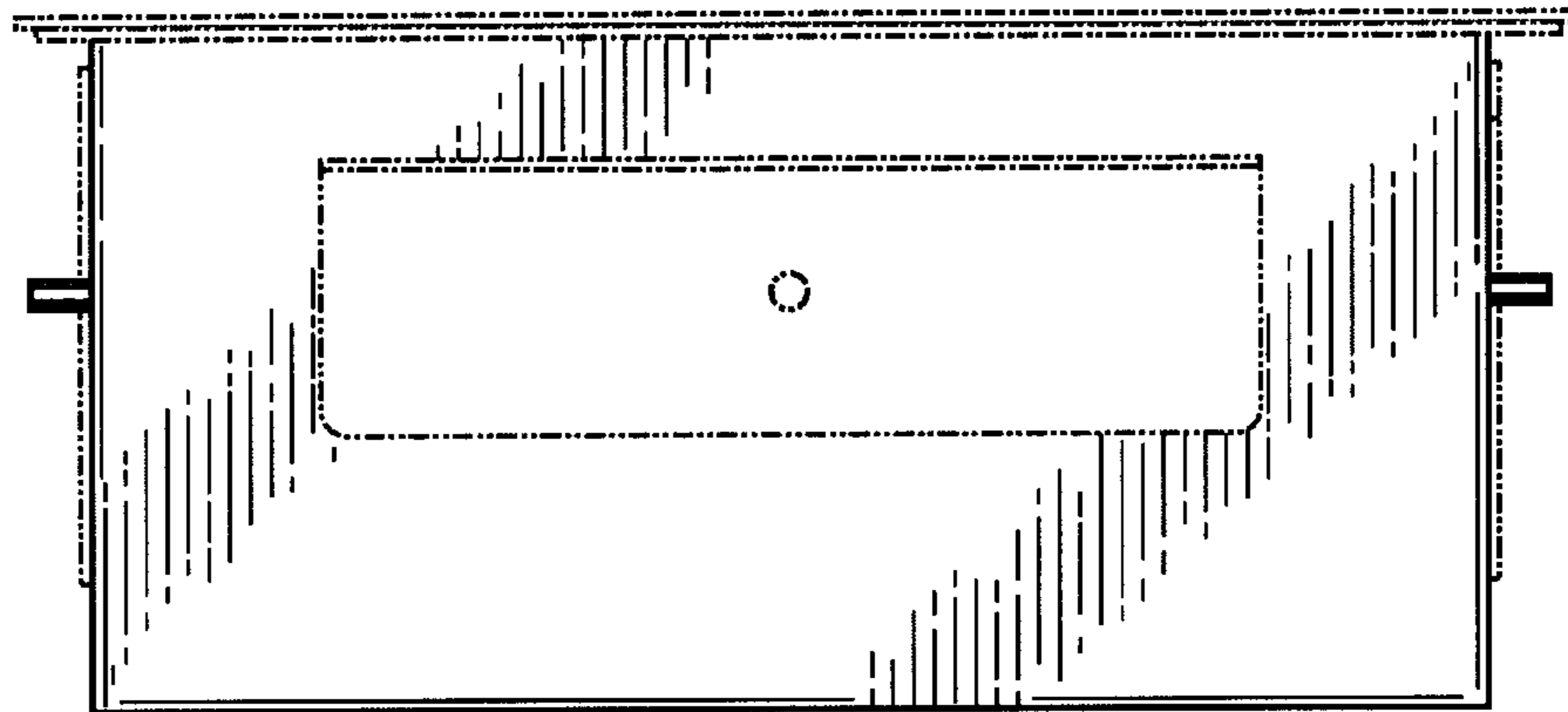


FIG. 8

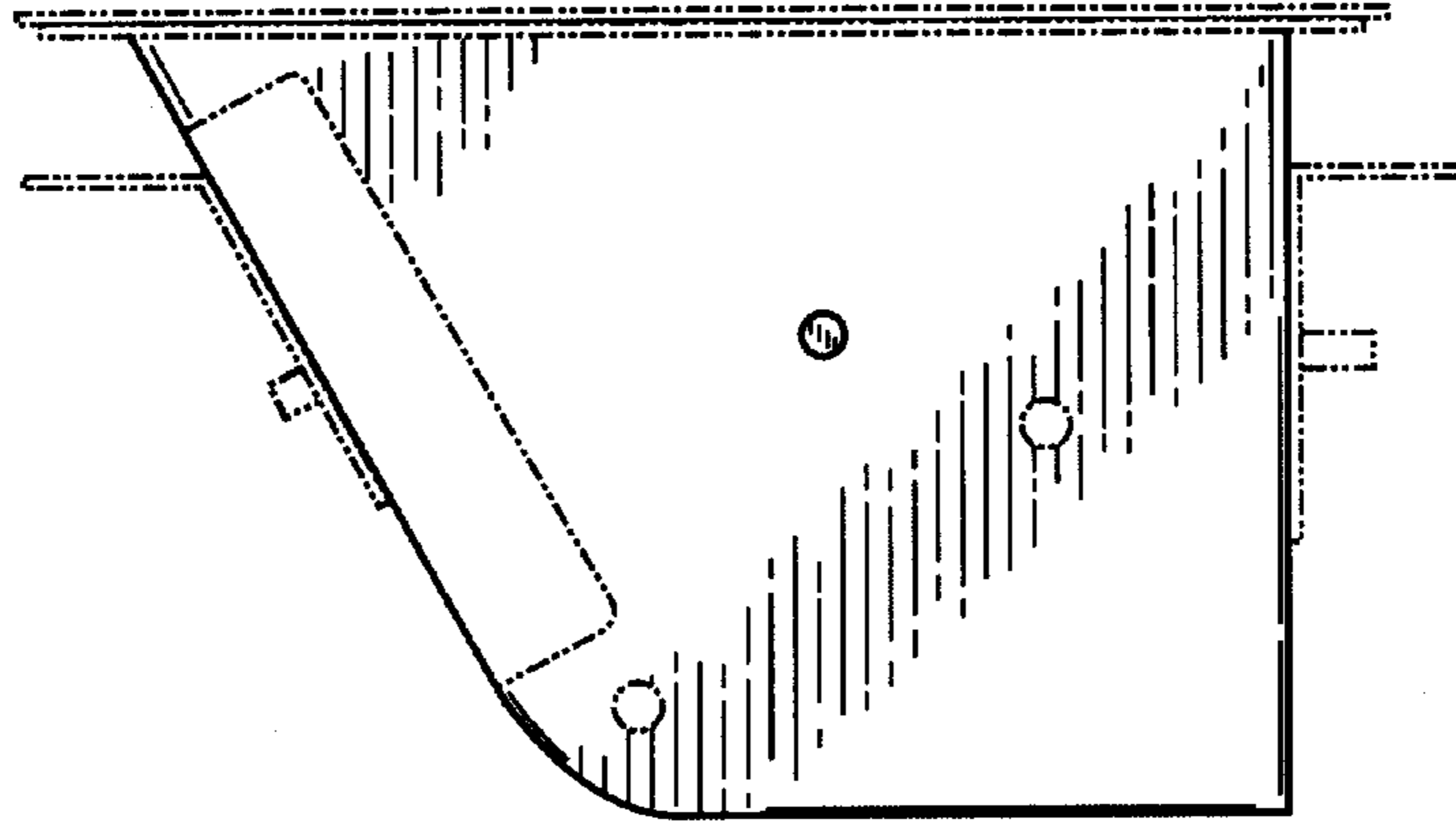


FIG. 9

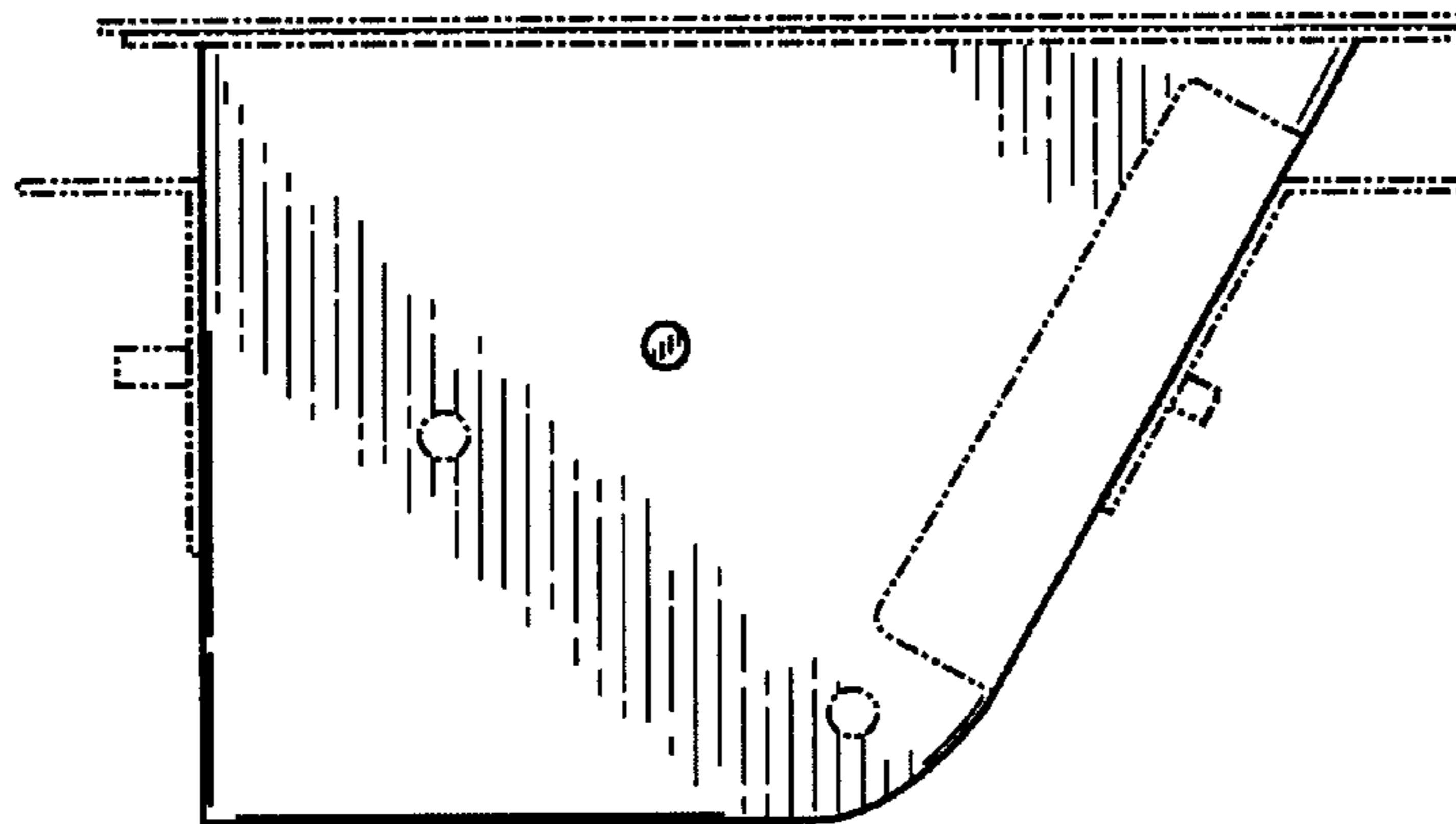


FIG. 10