



US00D537123S

(12) **United States Design Patent**  
**Thomas**

(10) **Patent No.:** **US D537,123 S**  
(45) **Date of Patent:** **\*\* Feb. 20, 2007**

(54) **REAL ESTATE SIGN HOLDER**

(76) Inventor: **Colin N. Thomas**, 7826 Titian Way,  
Cottonwood Heights, UT (US) 84121

(\*\*) Term: **14 Years**

(21) Appl. No.: **29/257,788**

(22) Filed: **Apr. 11, 2006**

4,237,636 A	*	12/1980	Matthews	.....	40/607.13
4,559,733 A	*	12/1985	Forslund	.....	40/606.17
4,778,250 A	*	10/1988	McRoskey et al.	.....	40/610
4,792,258 A	*	12/1988	Goff	.....	40/610
4,916,840 A	*	4/1990	Getz	.....	40/605
D399,261 S	*	10/1998	Humphrey	.....	D20/41
D477,036 S	*	7/2003	Gaines et al.	.....	D20/41
6,655,062 B1	*	12/2003	Meeker	.....	40/611.05
D503,747 S	*	4/2005	Crawford	.....	D20/41
D503,748 S	*	4/2005	Crawford	.....	D20/41
D503,749 S	*	4/2005	Crawford	.....	D20/41

**Related U.S. Application Data**

(62) Division of application No. 29/230,063, filed on May 16, 2005.

(51) **LOC (8) Cl.** ..... **20-02**

(52) **U.S. Cl.** ..... **D20/41**

(58) **Field of Classification Search** ..... D20/10,  
D20/11, 34, 40, 41, 42, 43, 44, 99; D6/315,  
D6/320, 328; D8/363, 367, 380, 394; 40/322,  
40/617, 642.01, 642.02, 661.08, 672, 771,  
40/788; 223/85, 87, 91, 97, 98; 248/125.2,  
248/170, 171; 160/24

See application file for complete search history.

(56) **References Cited**

**U.S. PATENT DOCUMENTS**

2,865,124 A	*	12/1958	Mortellito	.....	40/605
2,872,750 A	*	2/1959	Holcomb	.....	40/610

\* cited by examiner

*Primary Examiner*—Robert M. Spear

(74) *Attorney, Agent, or Firm*—Brian C. Trask

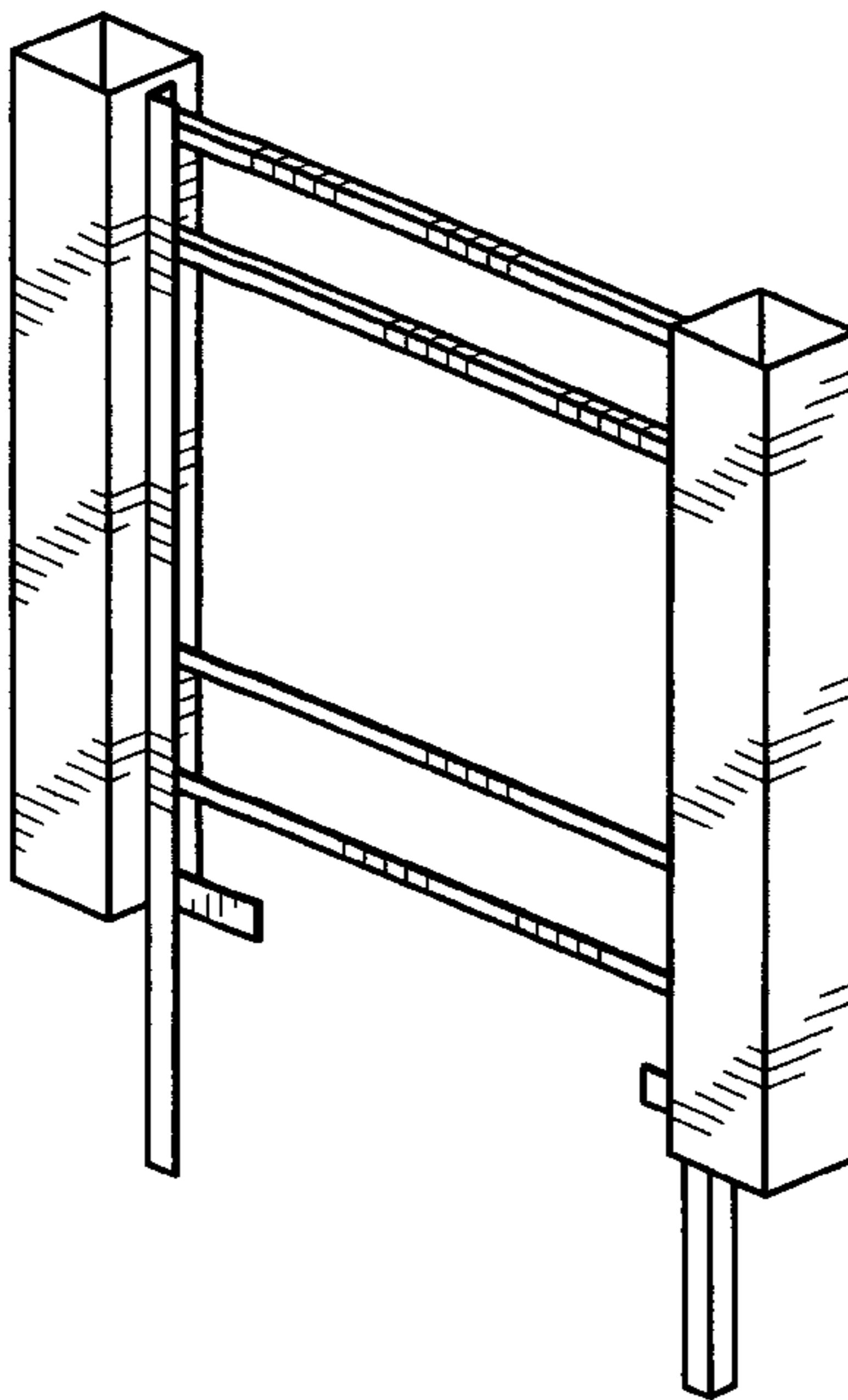
(57) **CLAIM**

The ornamental design for a real estate sign holder, as shown and described.

**DESCRIPTION**

FIG. 1 is a front right perspective view of a real estate sign holder showing my new design;  
FIG. 2 is a top view thereof;  
FIG. 3 is a front view thereof;  
FIG. 4 is a side view thereof, both sides being mirror images of one another; and,  
FIG. 5 is a rear view thereof.

**1 Claim, 1 Drawing Sheet**



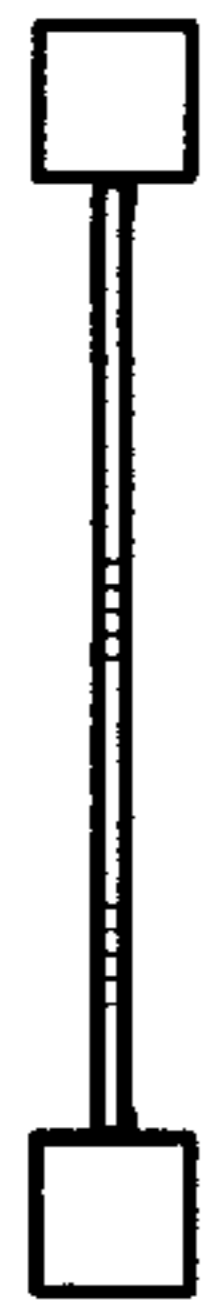


FIG. 2

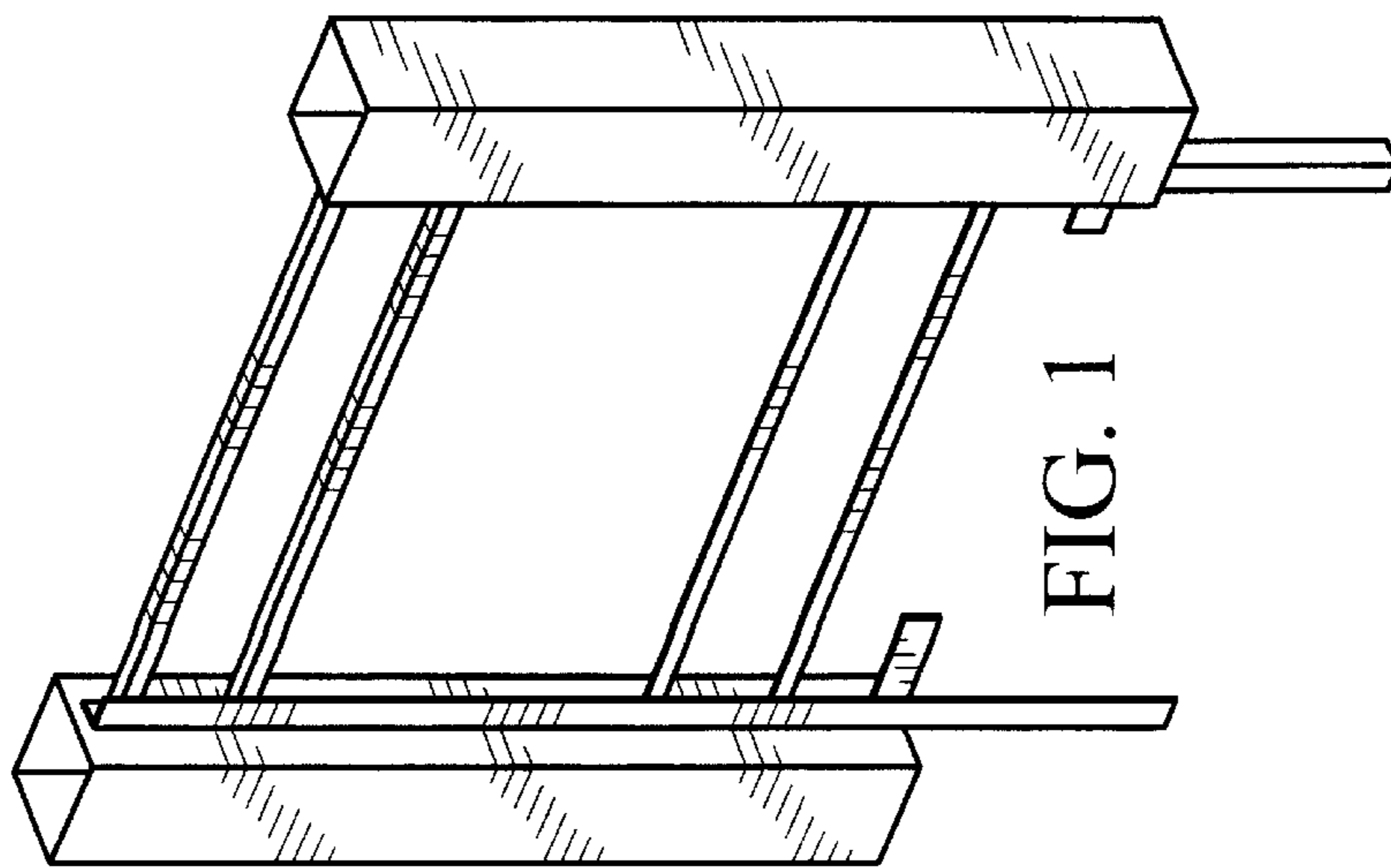


FIG. 1

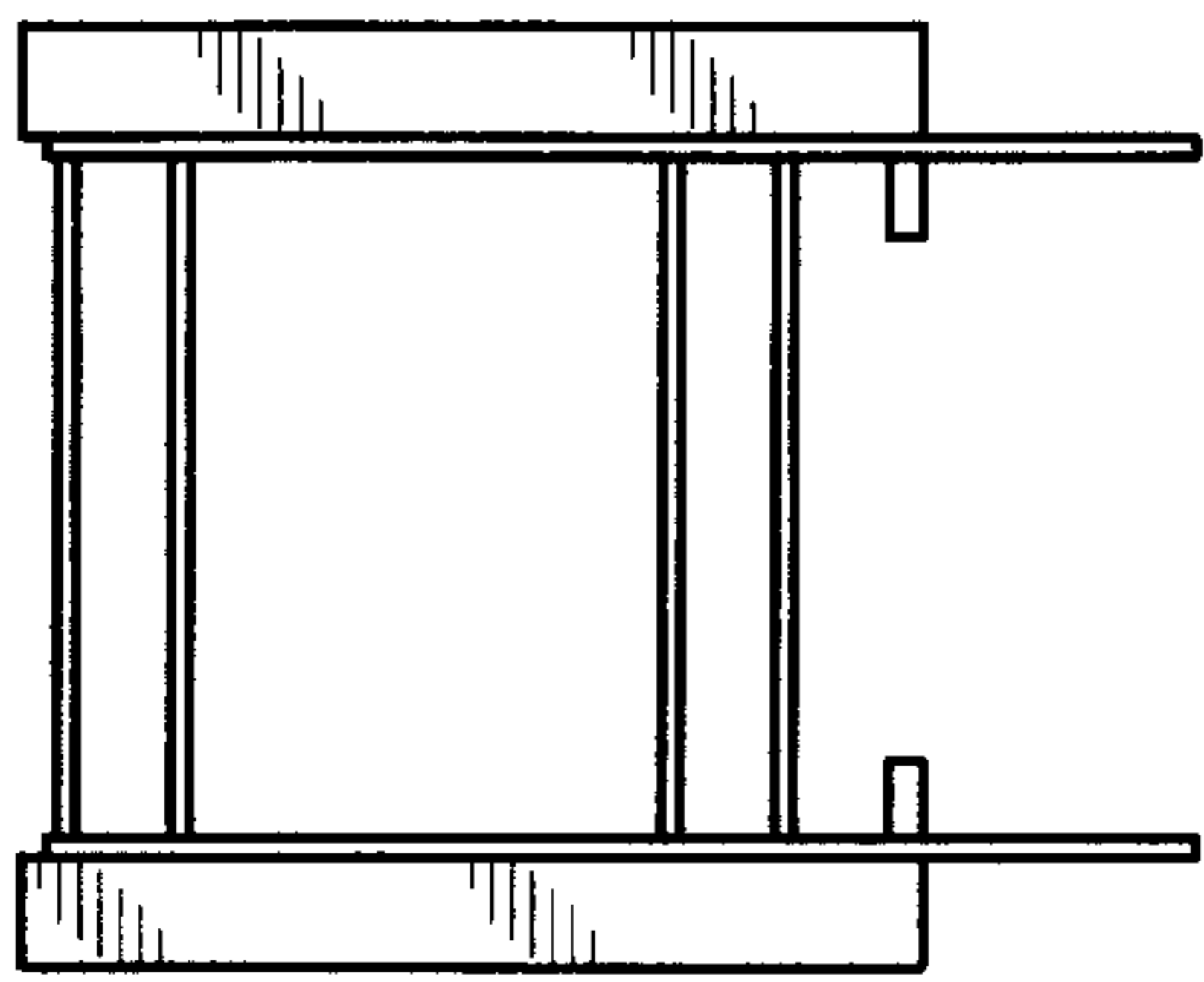


FIG. 3

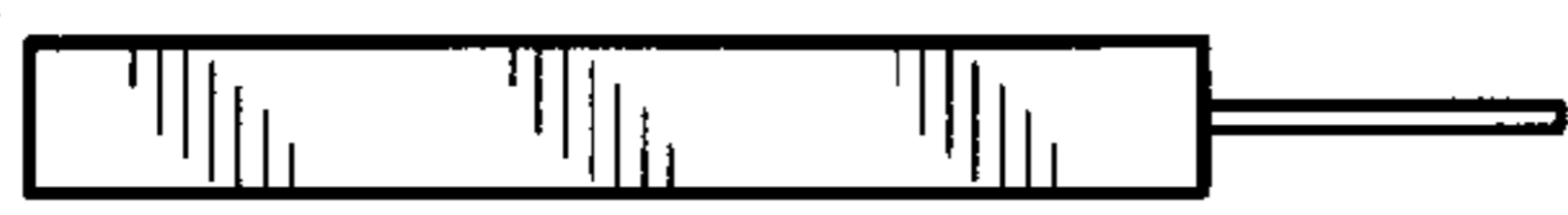


FIG. 4

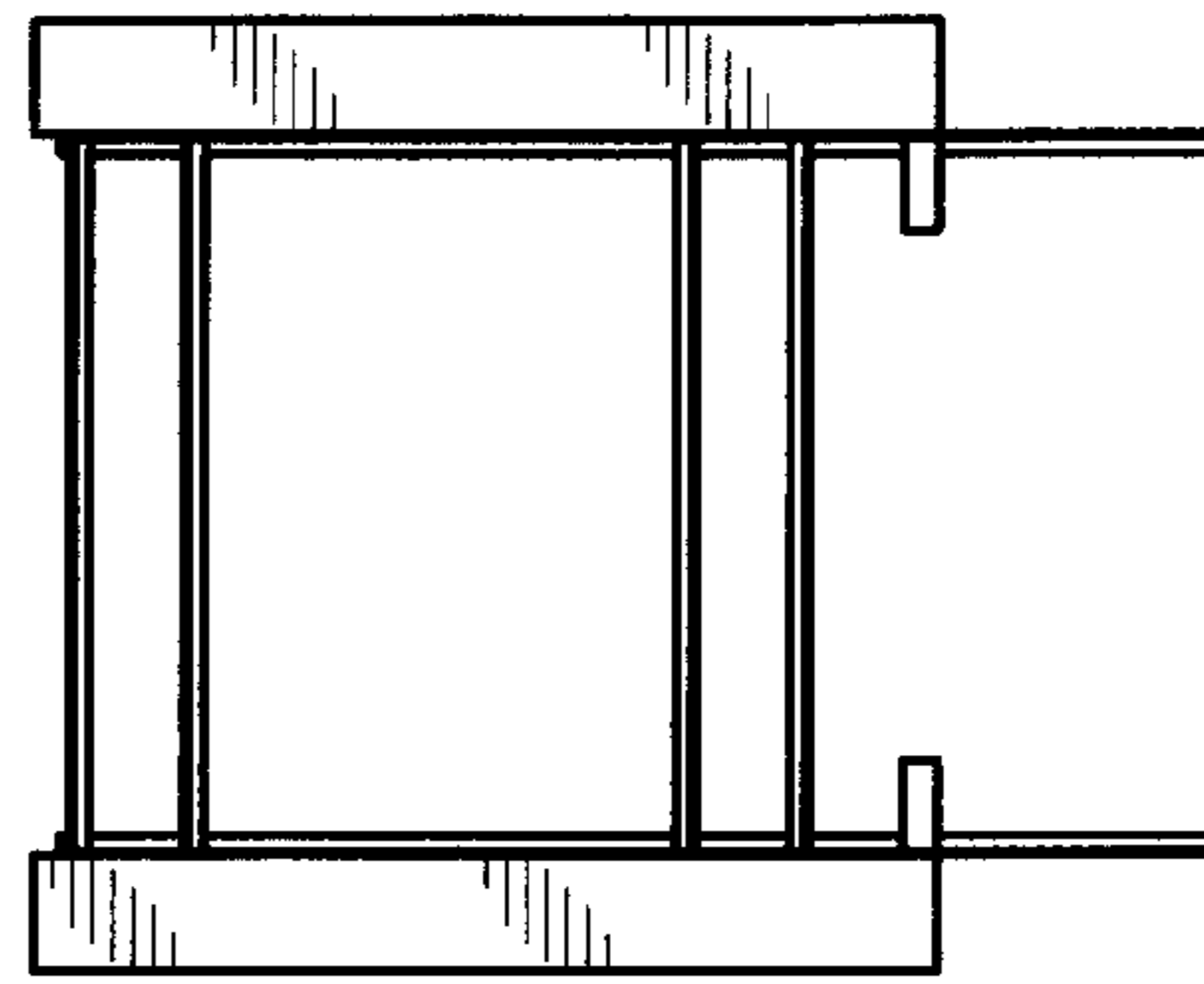


FIG. 5