



US00D537122S

(12) **United States Design Patent**
Silva

(10) **Patent No.:** **US D537,122 S**

(45) **Date of Patent:** **** Feb. 20, 2007**

(54) **COMBINED KEYBOARD AND DIGITAL DISPLAY DEVICE**

(76) Inventor: **David N. Silva**, 20928 Wilbeam Ave.,
Apartment #39, Castro Valley, CA (US)
94546

(**) Term: **14 Years**

(21) Appl. No.: **29/230,121**

(22) Filed: **May 18, 2005**

(51) **LOC (8) Cl.** **20-02**

(52) **U.S. Cl.** **D20/18**

(58) **Field of Classification Search** D20/10,
D20/18, 19, 21, 39, 41, 42, 43, 99; D14/128,
D14/374, 375; 40/427, 442, 564, 570, 593;
345/87; 348/184, 739, 787; 340/468; 704/276;
D26/31

See application file for complete search history.

(56) **References Cited**

U.S. PATENT DOCUMENTS

4,574,269	A	*	3/1986	Miller	362/503
4,787,040	A		11/1988	Ames et al.		
4,868,542	A	*	9/1989	Thompson	340/468
D311,932	S	*	11/1990	Fox	D20/10
5,132,666	A		7/1992	Fahs		
D350,778	S	*	9/1994	Kaoh	D20/42

D367,679	S	*	3/1996	Vitali et al.	D20/42
6,178,677	B1		1/2001	Williams		
6,243,685	B1		6/2001	Welch et al.		
D465,050	S		9/2001	Zwisler		
6,300,870	B1		10/2001	Nelson		
D499,765	S	*	12/2004	Tugmon	D20/10
D516,626	S	*	3/2006	Hearn	D20/18

OTHER PUBLICATIONS

Title of Source: www.mobileled.com Product Name:
MD-550 Mobile Series Display.

* cited by examiner

Primary Examiner—Robert M. Spear

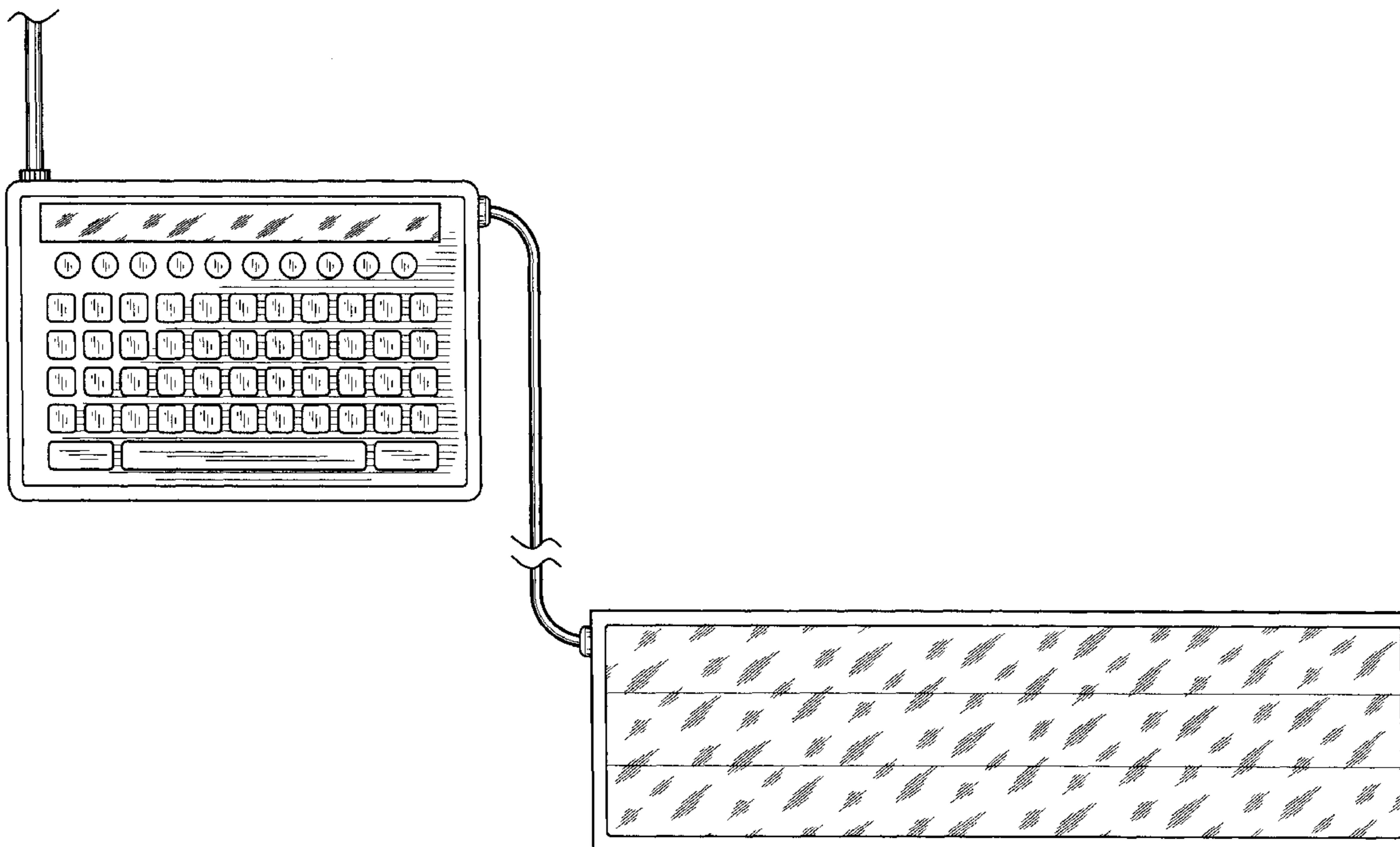
(57) **CLAIM**

The ornamental design for a combined keyboard and digital display device, as shown and described.

DESCRIPTION

FIG. 1 is a top plan view of a combined keyboard and digital display device showing my new design;
FIG. 2 is a bottom plan view thereof;
FIG. 3 is a right side elevational view thereof;
FIG. 4 is a left side elevational view thereof;
FIG. 5 is a front elevational view thereof; and,
FIG. 6 is a rear elevational view thereof.

1 Claim, 4 Drawing Sheets



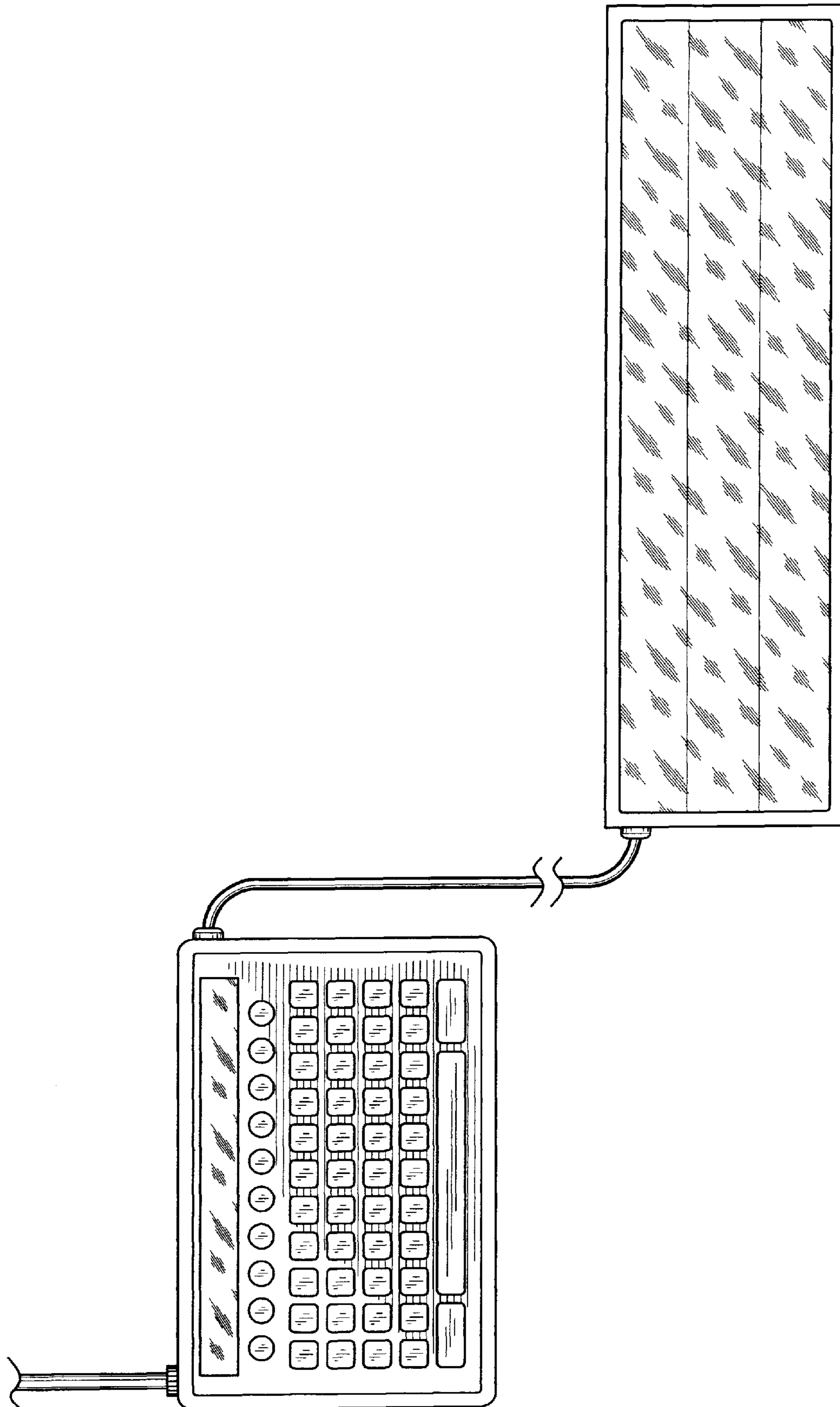


FIG. 1

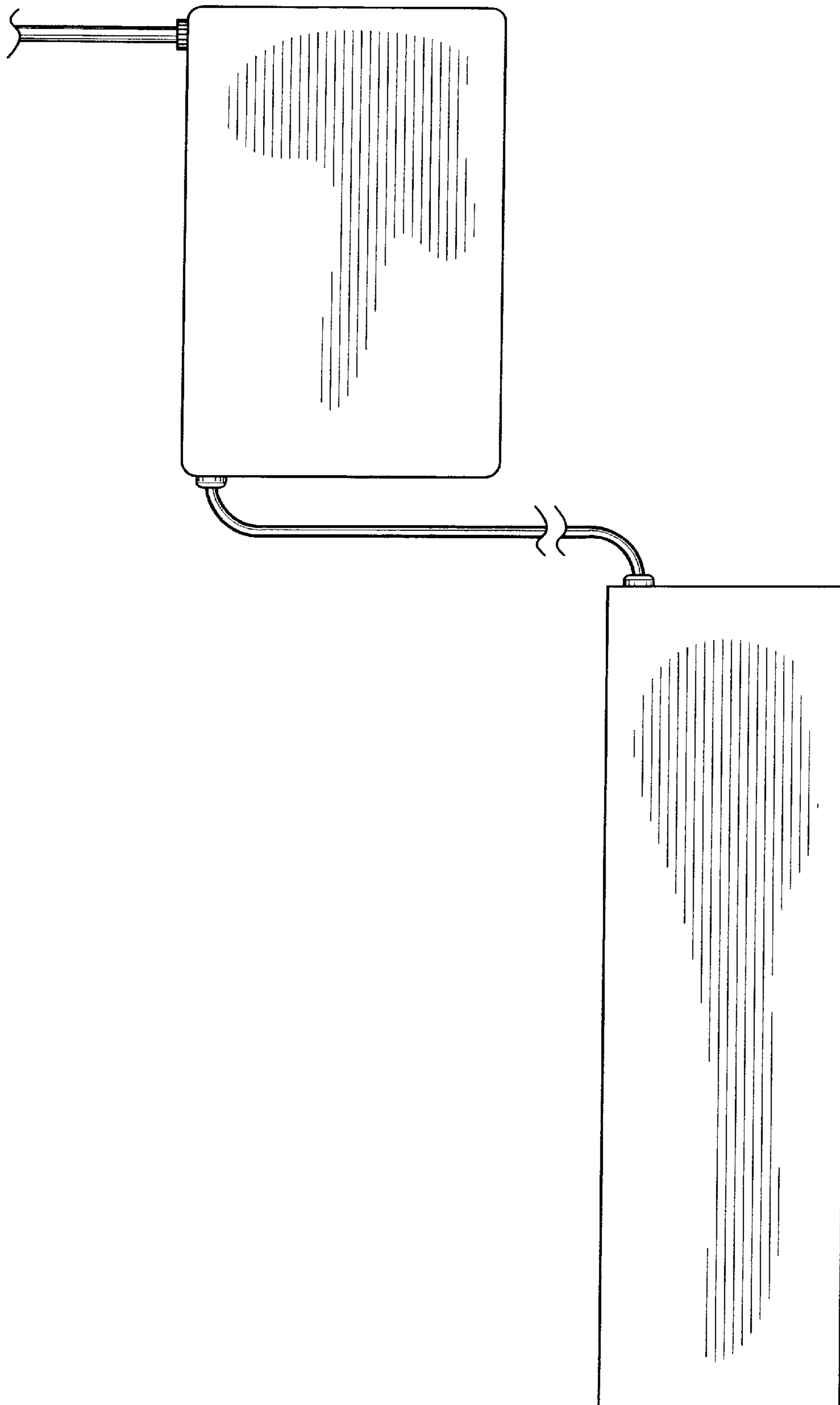


FIG. 2

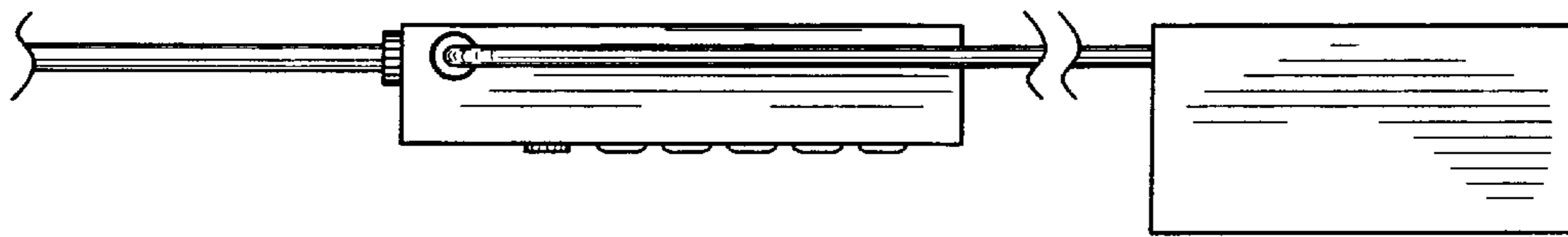


FIG. 4

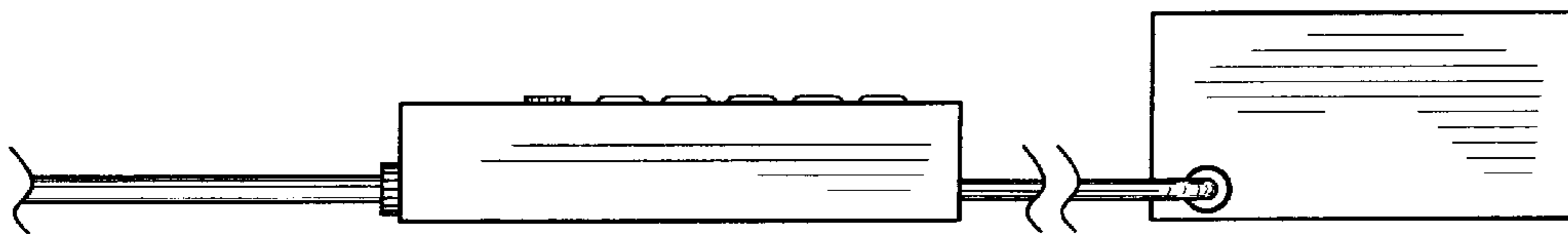


FIG. 3

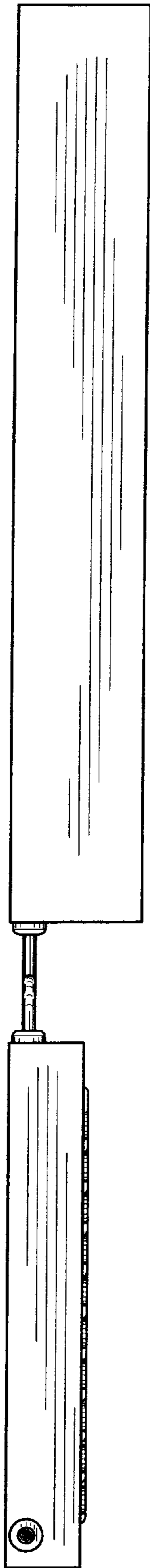


FIG. 5

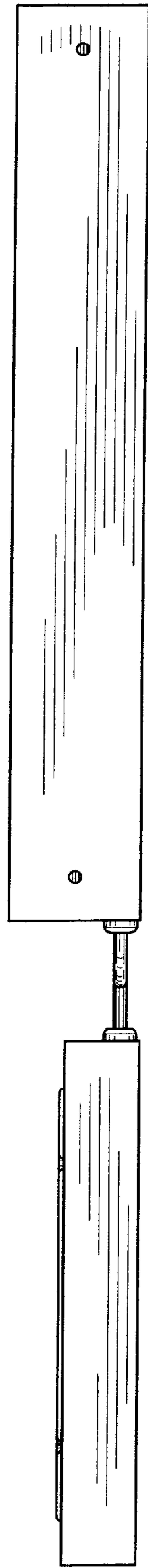


FIG. 6