



US00D537121S

(12) **United States Design Patent**  
**Smith**

(10) **Patent No.:** **US D537,121 S**

(45) **Date of Patent:** **\*\* Feb. 20, 2007**

(54) **FILE HOLDER**

(75) Inventor: **Aaron W. Smith**, Plainfield, IL (US)

(73) Assignee: **Rubbermaid Incorporated**, Fairlawn, OH (US)

(\*\*) Term: **14 Years**

(21) Appl. No.: **29/225,605**

(22) Filed: **Mar. 18, 2005**

(51) **LOC (8) Cl.** ..... **19-02**

(52) **U.S. Cl.** ..... **D19/90**

(58) **Field of Classification Search** ..... D3/201,  
D3/304, 314; D6/475, 510; D9/424, 425,  
D9/427; D19/75, 78, 86, 87, 90, 91, 92; D34/5;  
206/215, 425, 449; 211/11, 50, 126.13, 126.16;  
220/659, 676; 312/184

See application file for complete search history.

(56) **References Cited**

**U.S. PATENT DOCUMENTS**

1,533,880	A	4/1925	Malwitz	
2,940,599	A	6/1960	Gentner	
3,356,228	A	12/1967	Woodhouse	
3,779,152	A	12/1973	Smith	
3,934,724	A	1/1976	Johnson	
D239,695	S	* 4/1976	Fier, Jr.	D9/425
4,042,111	A	* 8/1977	Smith	206/508
4,102,453	A	7/1978	Carroll et al.	
D251,480	S	* 4/1979	Cherry	D3/314
D251,586	S	* 4/1979	Levenhagen	D9/425
4,238,032	A	12/1980	Thurman	
4,320,837	A	3/1982	Carroll et al.	
D299,037	S	12/1988	Klodt	

D310,107	S	* 8/1990	Murphy et al.	D19/90
5,088,801	A	2/1992	Rorke et al.	
D328,101	S	7/1992	Rorke	
D330,130	S	* 10/1992	Evans	D6/457
D351,621	S	10/1994	Terzian	
D390,270	S	2/1998	Cheris et al.	
D423,823	S	5/2000	Nelson	
D436,728	S	* 1/2001	Harding	D3/304
D486,644	S	* 2/2004	Claypool	D3/304

\* cited by examiner

*Primary Examiner*—Elizabeth A. Albert

(74) *Attorney, Agent, or Firm*—Marshall, Gerstein & Borun LLP

(57) **CLAIM**

The ornamental design for a “file holder,” as shown and described.

**DESCRIPTION**

FIG. 1 is a perspective view of a file holder showing my new design;

FIG. 2 is a front elevational view of the file holder of FIG. 1, the back elevational view being a mirror image thereof;

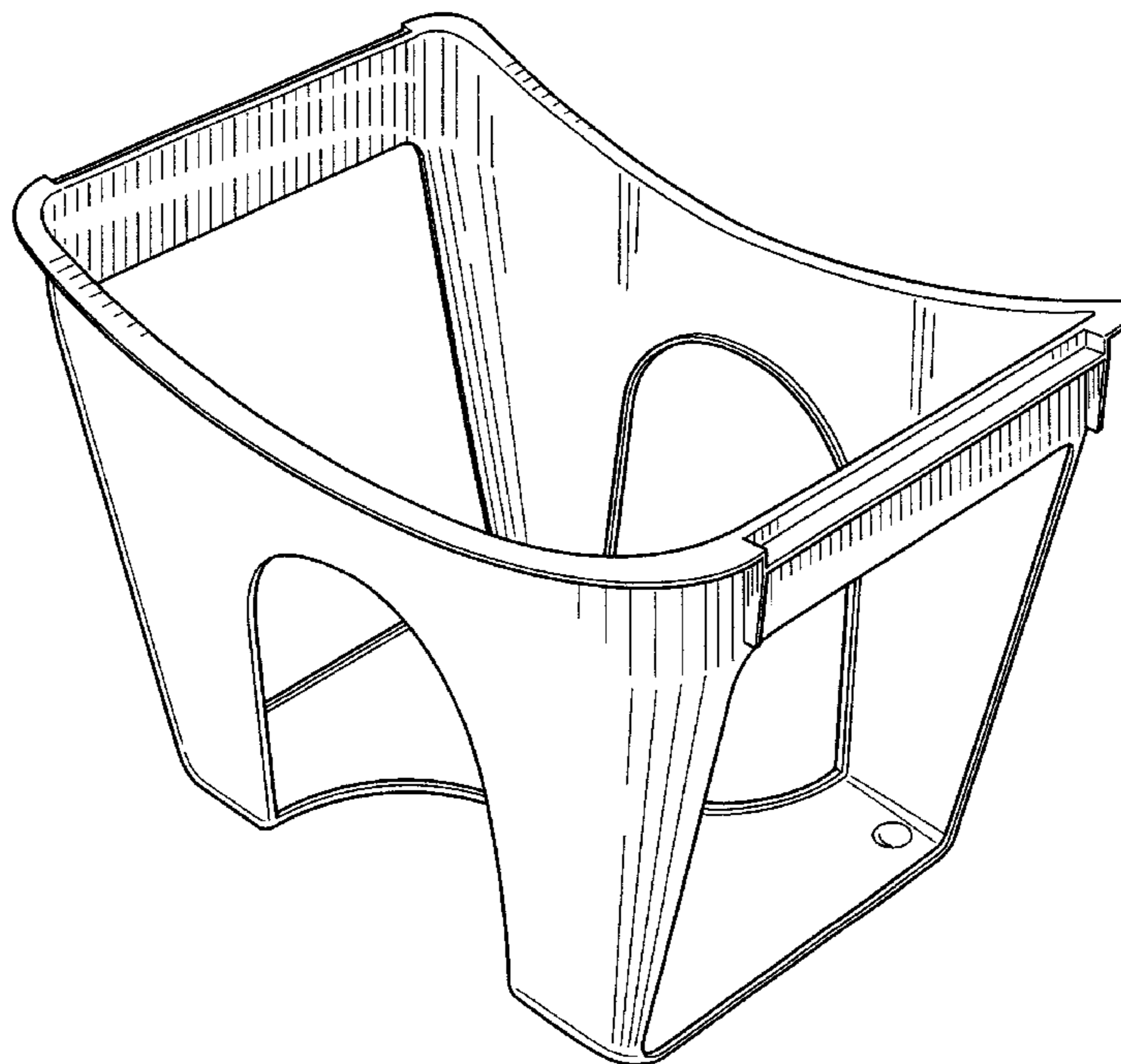
FIG. 3 is a left side elevational view of the file holder of FIG. 1, the right side elevational view being a mirror image thereof;

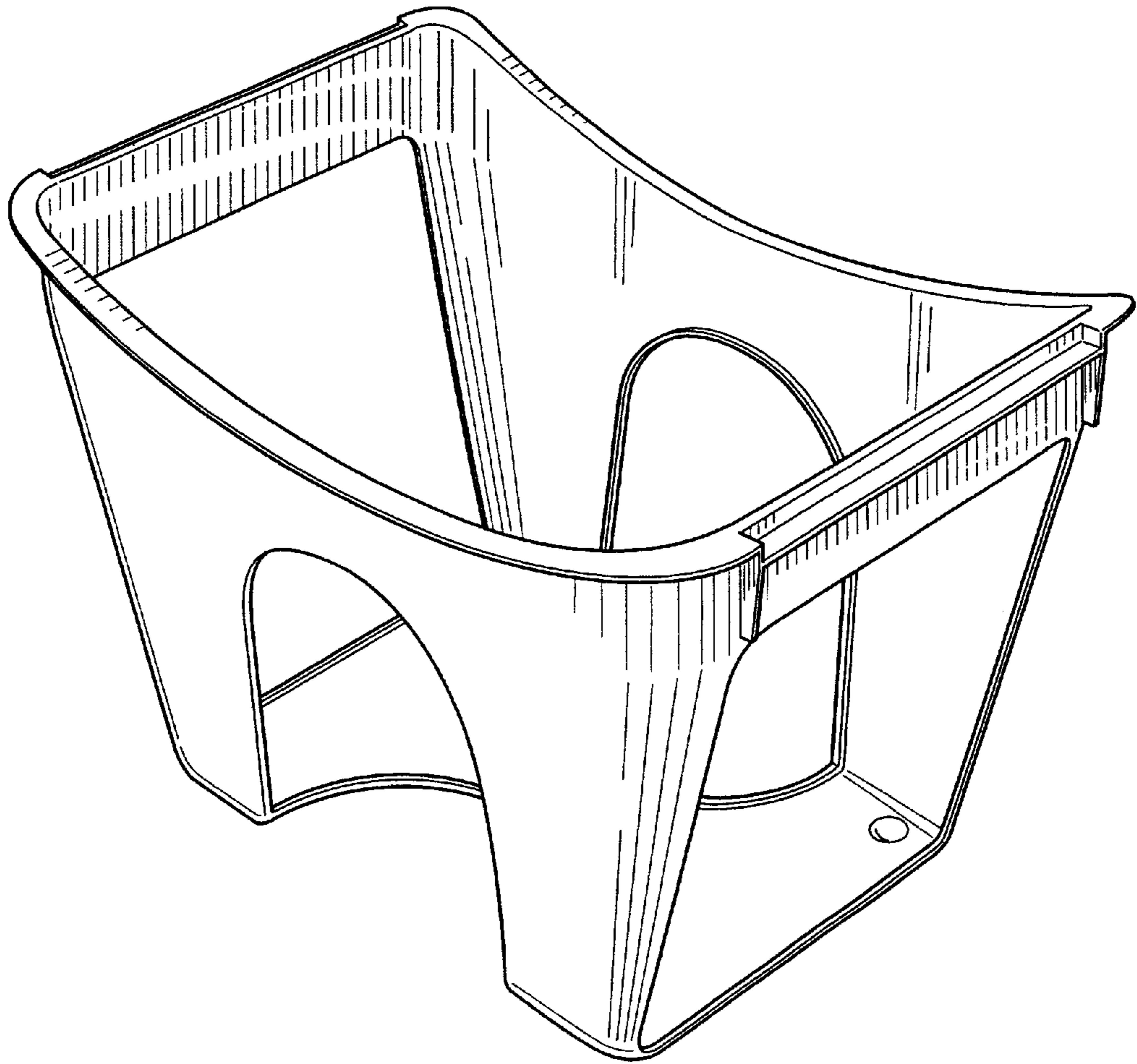
FIG. 4 is a top plan view of the file holder of FIG. 1;

FIG. 5 is a bottom plan view of the file holder of FIG. 1; and, FIG. 6 is a perspective view of the file holder of FIG. 1 nested with like file holders.

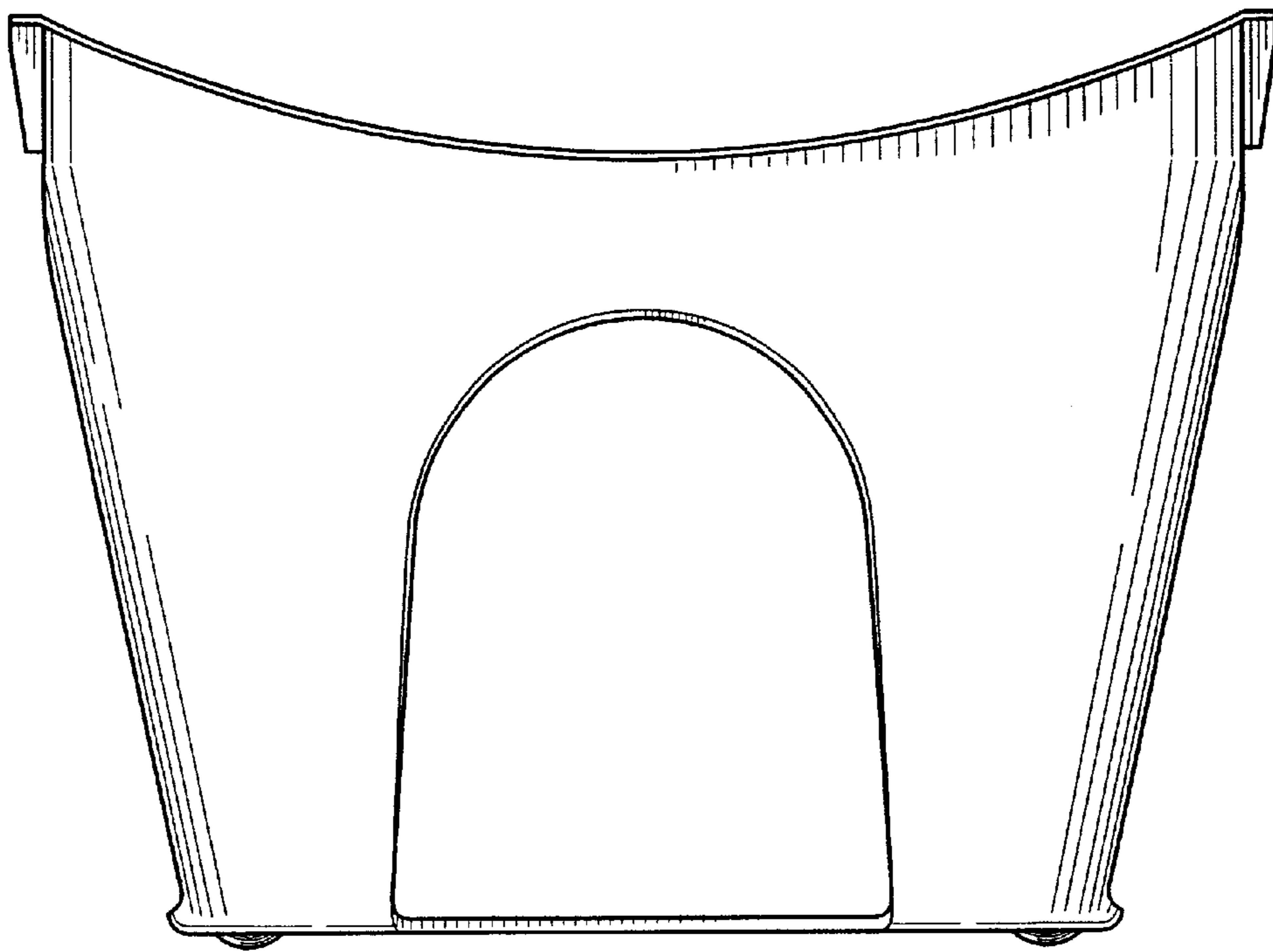
The dashed lines are for illustrative purposes only and form no part of the claimed design.

**1 Claim, 6 Drawing Sheets**

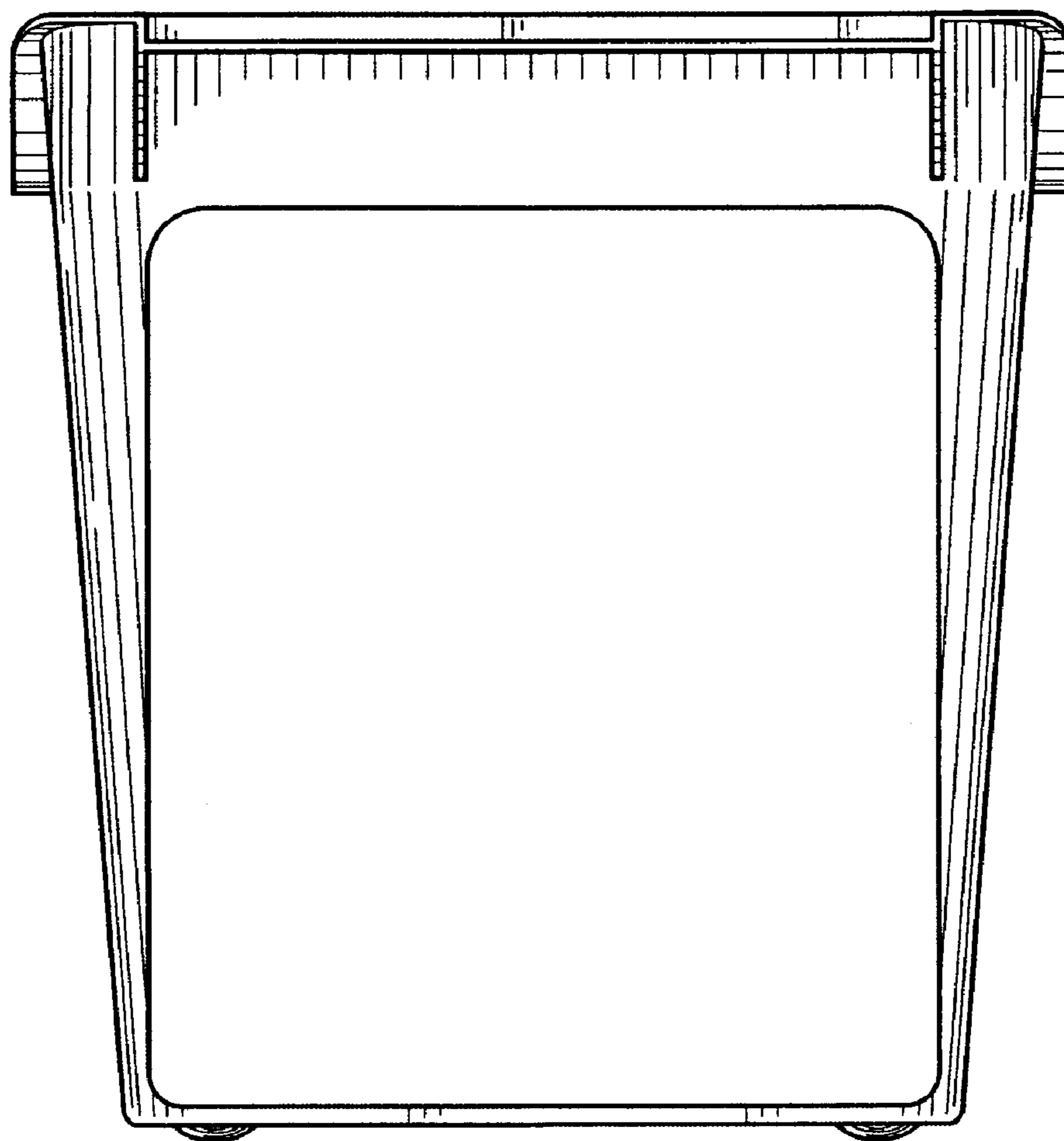




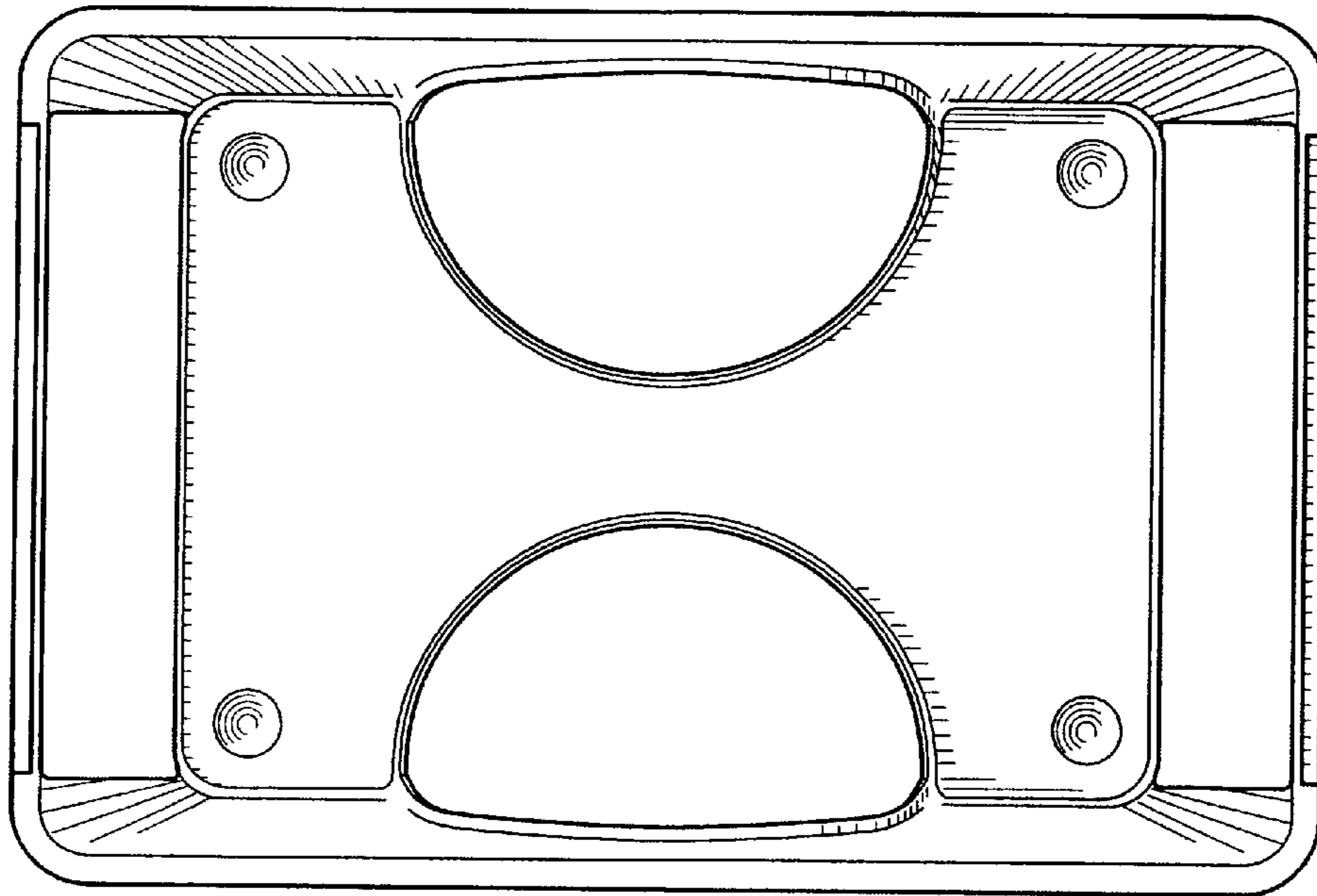
**FIG. 1**



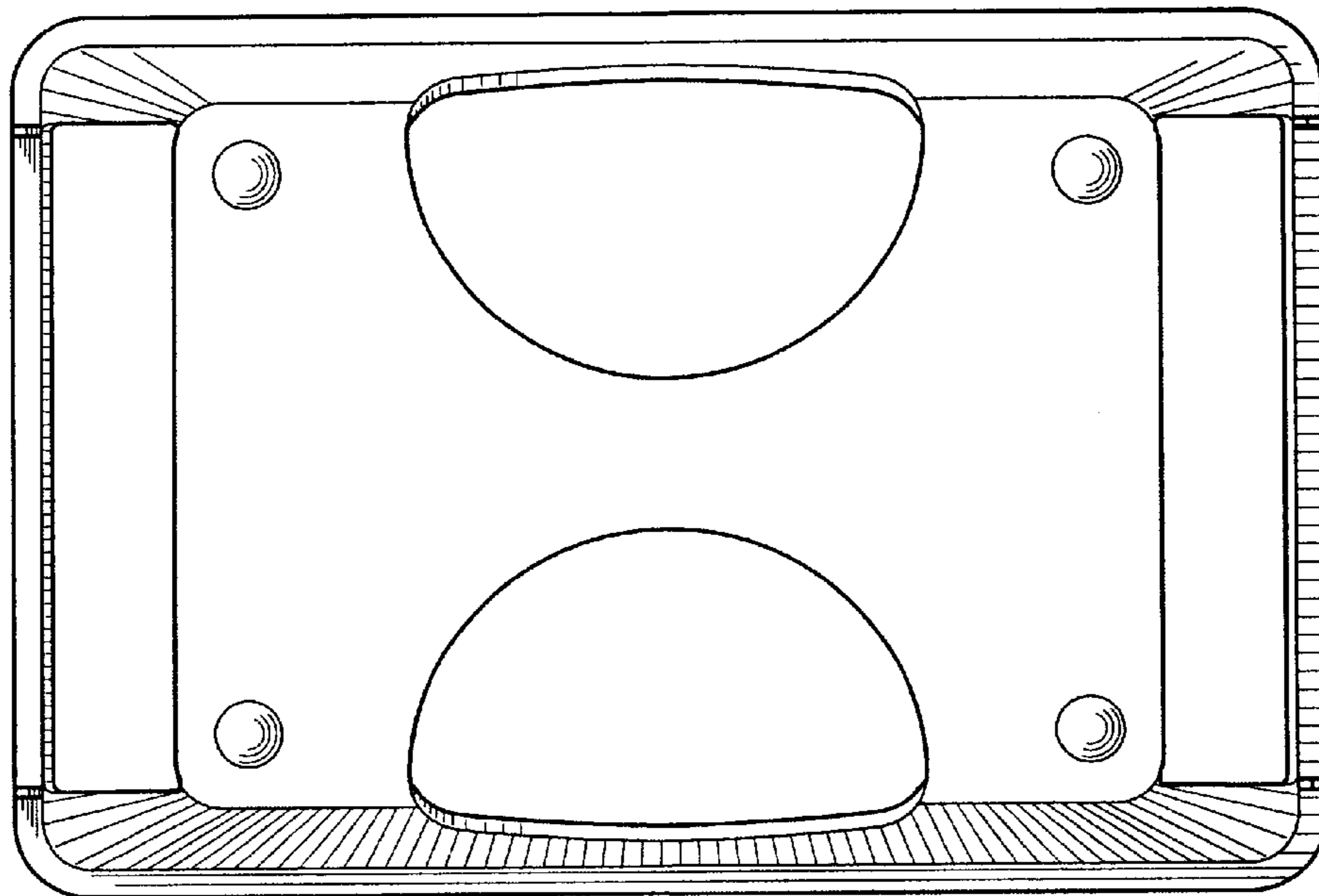
**FIG. 2**



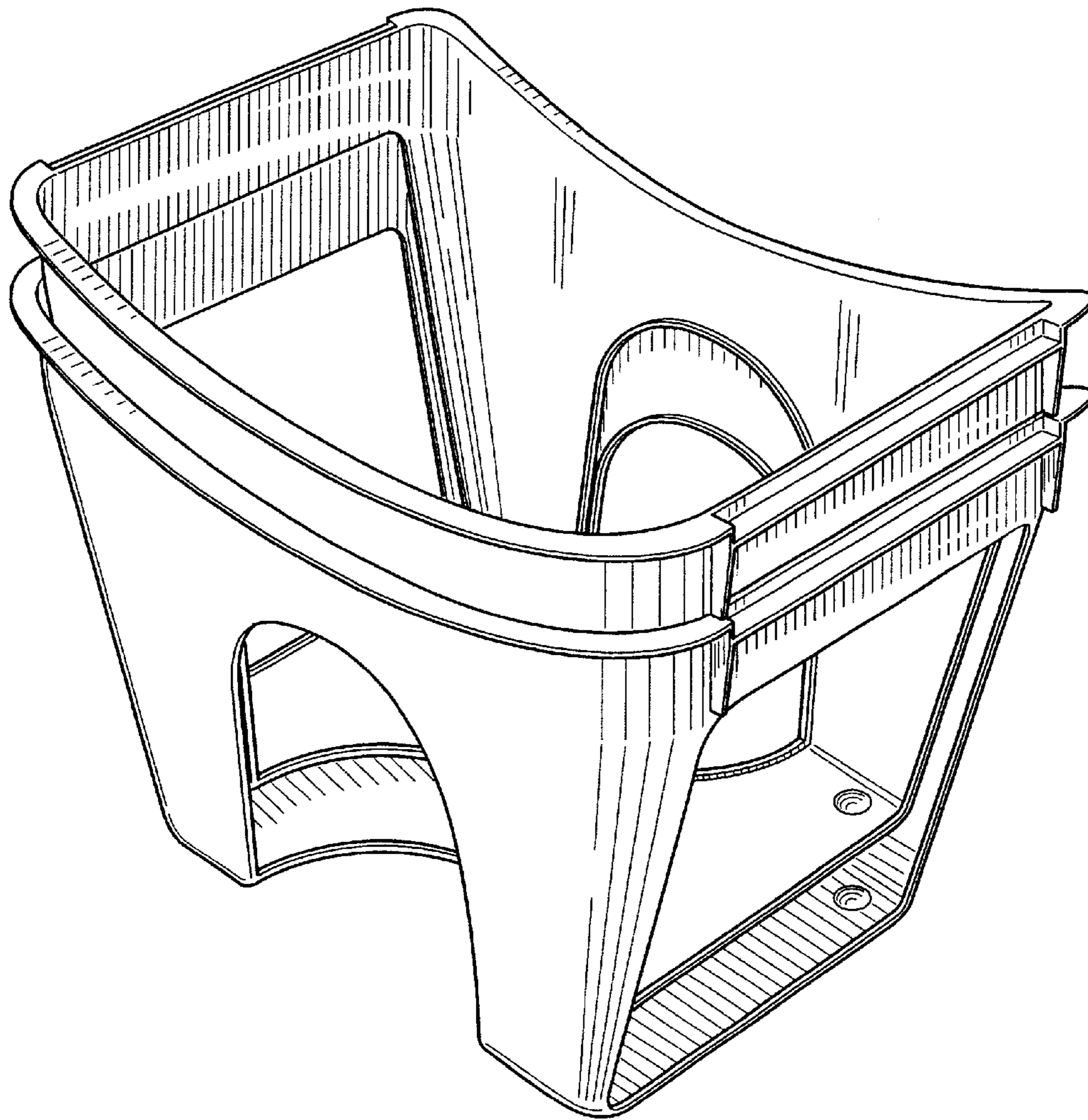
**FIG. 3**



**FIG. 4**



**FIG. 5**



**FIG. 6**