



US00D537120S

(12) **United States Design Patent**
Mandel

(10) **Patent No.:** **US D537,120 S**

(45) **Date of Patent:** **** Feb. 20, 2007**

(54) **CLIPBOARD**

(75) **Inventor:** **Logan Flash Mandel**, Los Angeles, CA (US)

(73) **Assignee:** **GMPC, LLC**, Santa Monica, CA (US)

(**) **Term:** **14 Years**

(21) **Appl. No.:** **29/244,993**

(22) **Filed:** **Dec. 15, 2005**

(51) **LOC (8) Cl.** **19-02**

(52) **U.S. Cl.** **D19/88**

(58) **Field of Classification Search** D6/406.3,
D6/420; D19/52, 78, 86, 87, 88, 90, 91, 92;
24/67.3, 67.5, 67.7; 211/50; 248/447, 452;
281/44, 45; 362/99

See application file for complete search history.

(56) **References Cited**

U.S. PATENT DOCUMENTS

2,050,308	A	*	8/1936	Gash	281/45
D255,251	S	*	6/1980	Hansen et al.	D19/88
D277,395	S	*	1/1985	Ippen	D19/76
D313,819	S	*	1/1991	Craft et al.	D19/88
5,016,147	A	*	5/1991	Voorhees	362/99
D318,299	S	*	7/1991	Moberg	D19/88
D354,772	S	*	1/1995	Flickinger et al.	D19/88
D446,549	S	*	8/2001	Cheris et al.	D19/88

D497,186	S	*	10/2004	Cetera	D19/88
D518,106	S	*	3/2006	Mandel	D19/88
2002/0030989	A1	*	3/2002	Stephen	362/98

* cited by examiner

Primary Examiner—Elizabeth A. Albert

(74) *Attorney, Agent, or Firm*—Christie, Parker & Hale, LLP.

(57) **CLAIM**

The ornamental design for a clipboard, as shown and described.

DESCRIPTION

FIG. 1 is a top plan view of a clipboard showing my new design;

FIG. 2 is bottom plan view thereof;

FIG. 3 is a front view thereof;

FIG. 4 is a rear view thereof;

FIG. 5 is a right side view thereof;

FIG. 6 is a left side view thereof;

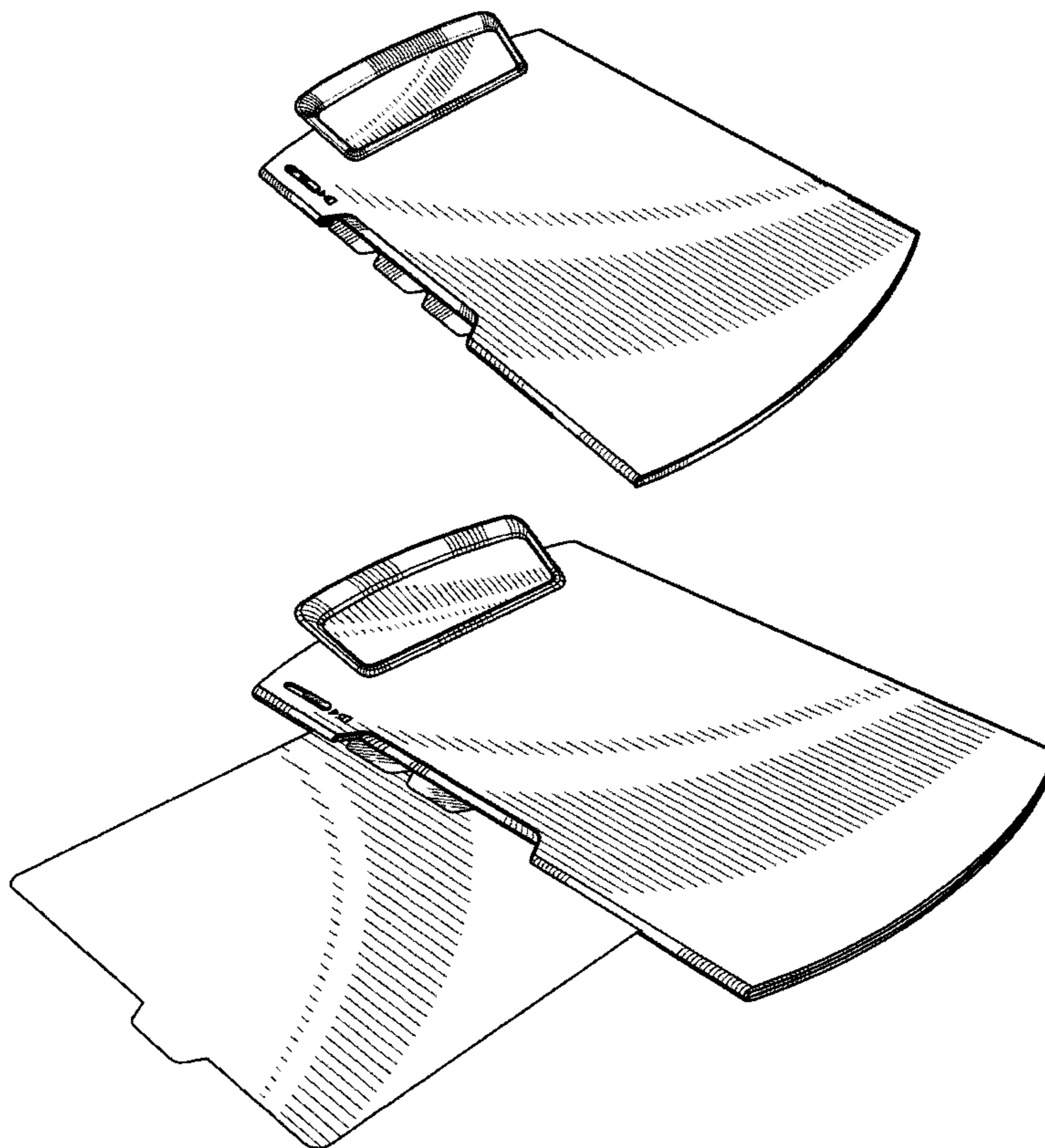
FIG. 7 is a top left perspective view thereof;

FIG. 8 is a top rear perspective view thereof;

FIG. 9 is a top left perspective view of the clipboard of FIG. 1, but with a side information sheet extended from a left side edge thereof; and,

FIG. 10 is a bottom right perspective view of FIG. 9.

1 Claim, 6 Drawing Sheets



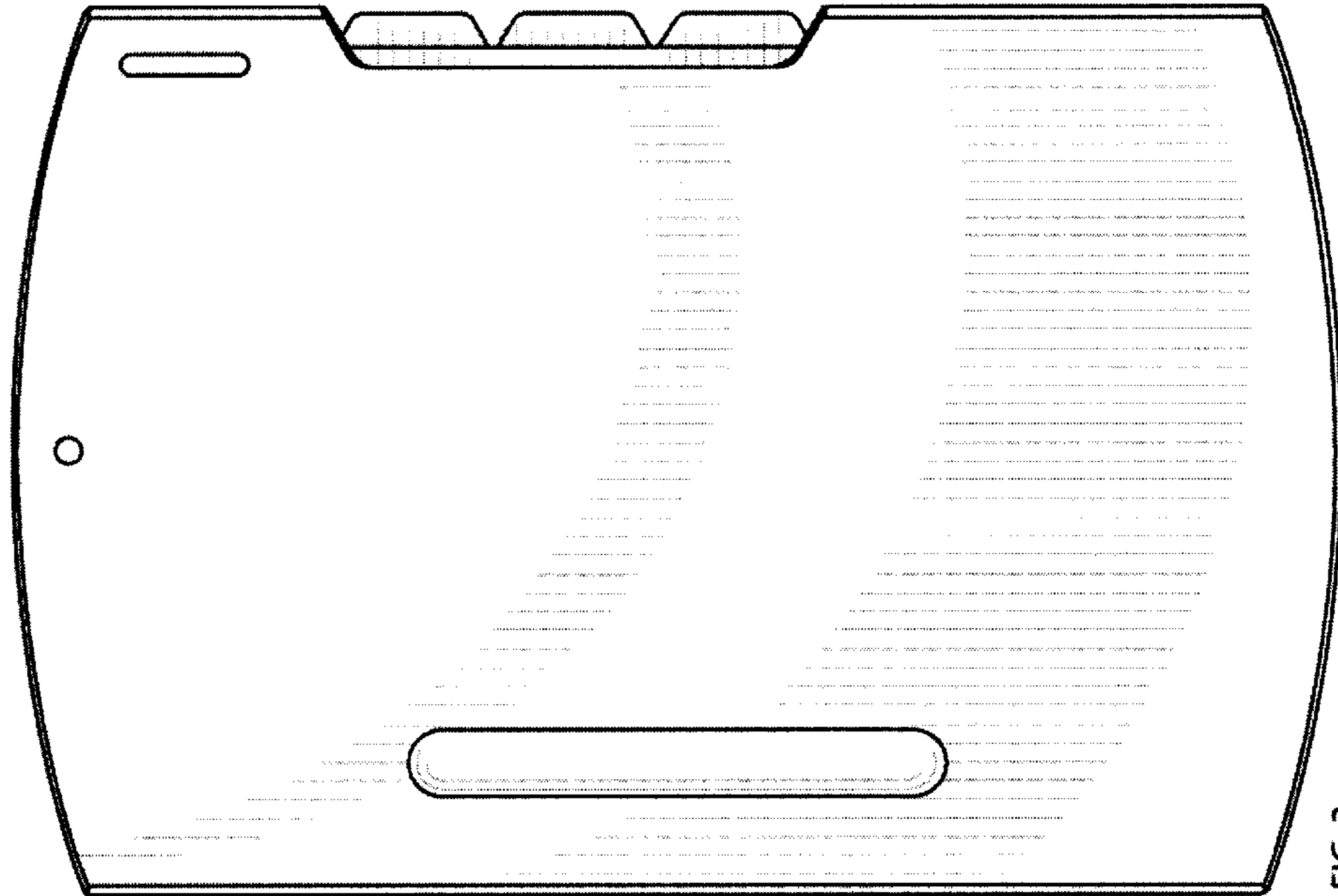


FIG. 2



FIG. 1

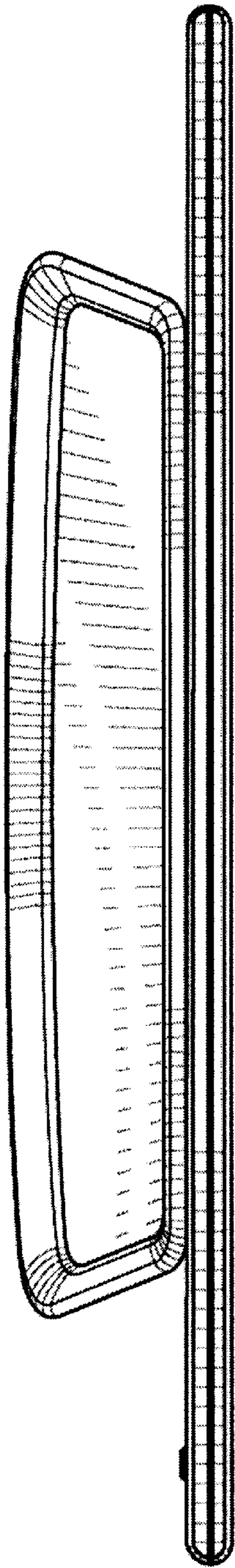


FIG.3

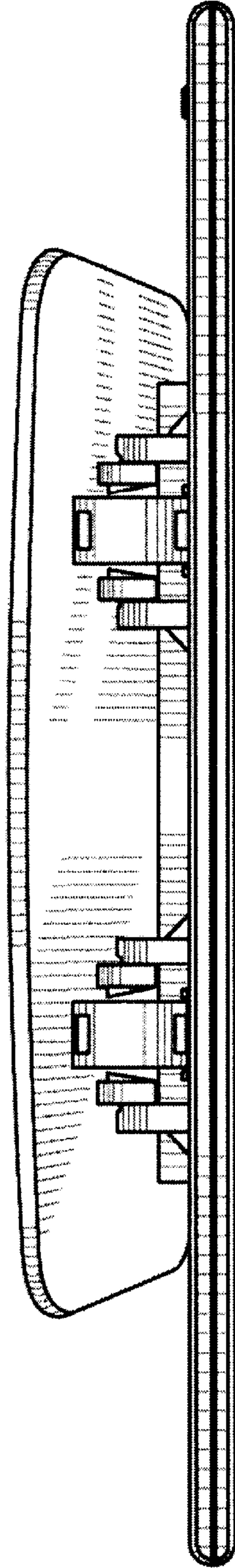


FIG.4

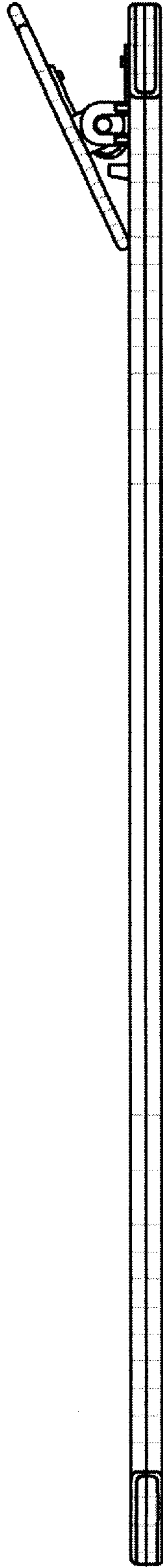


FIG. 5



FIG. 6

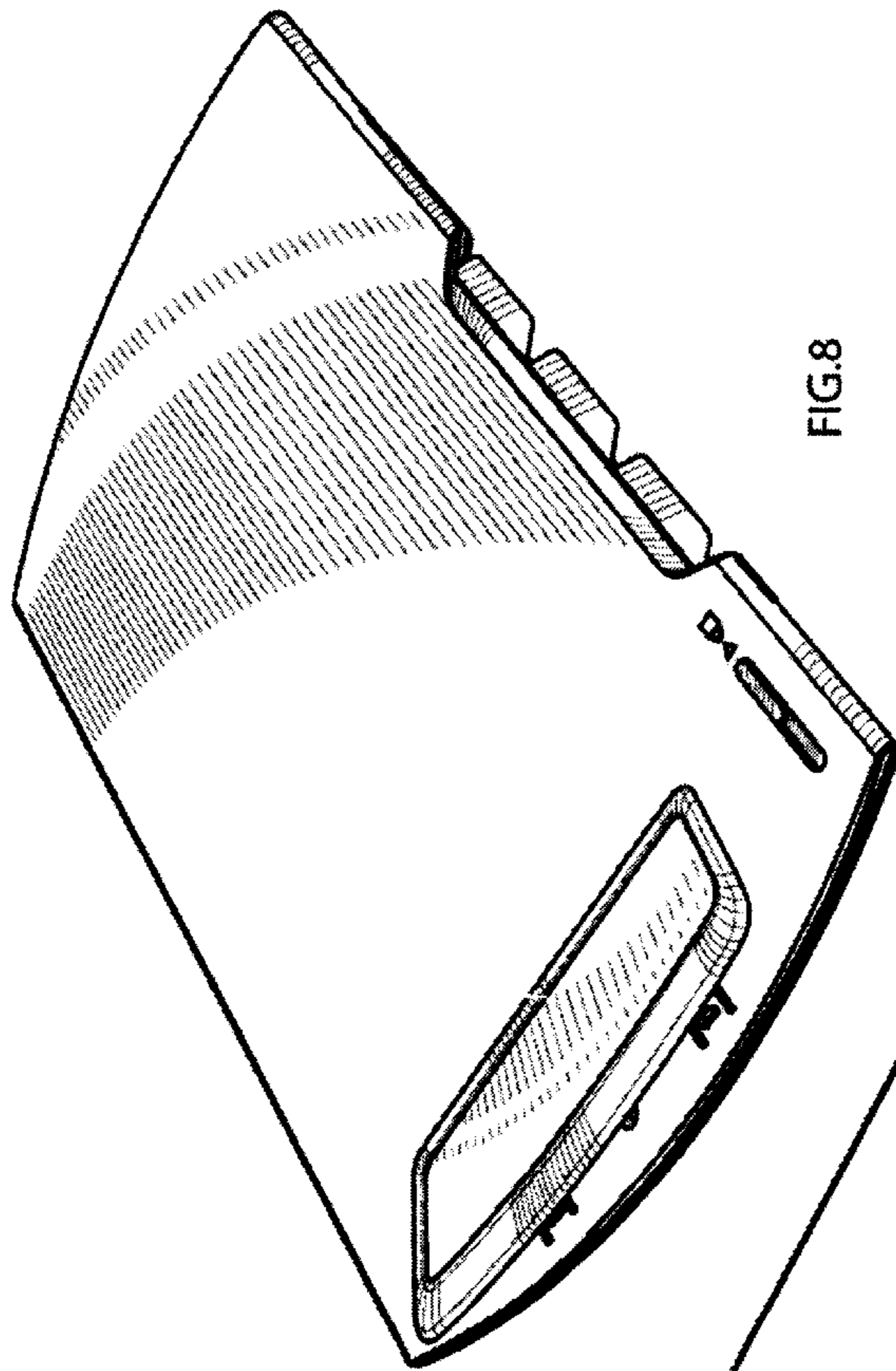


FIG. 8

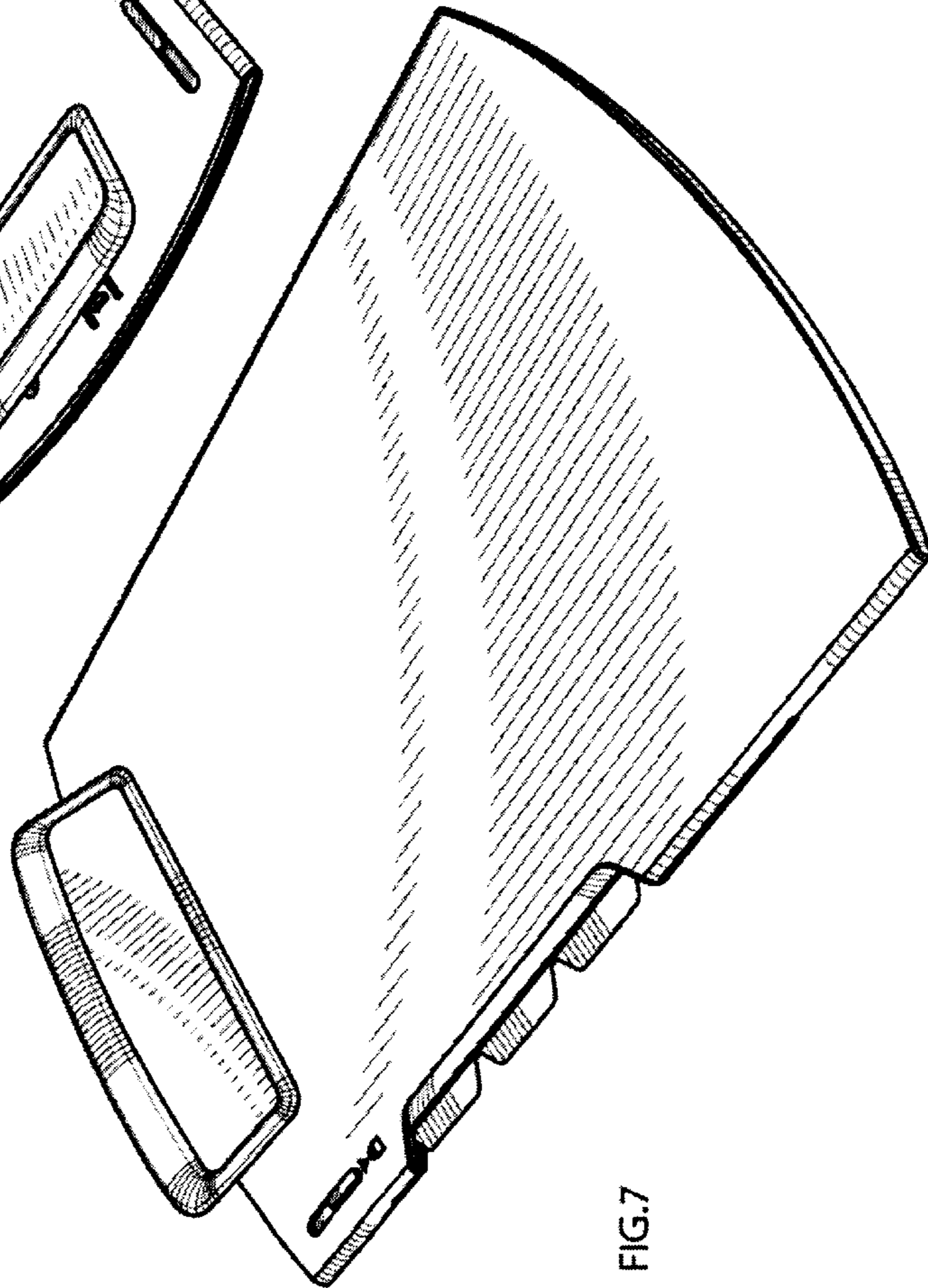


FIG. 7

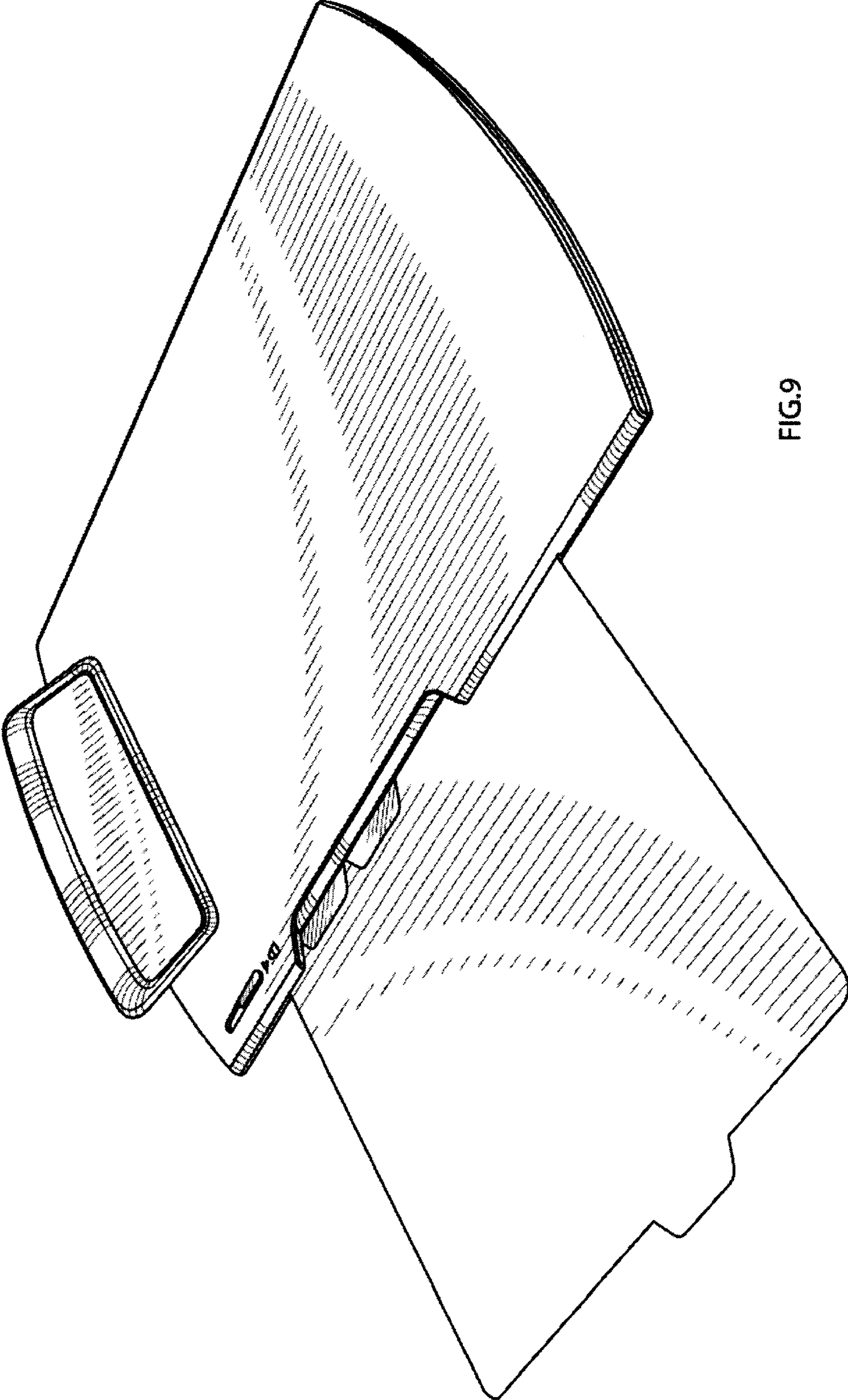


FIG.9

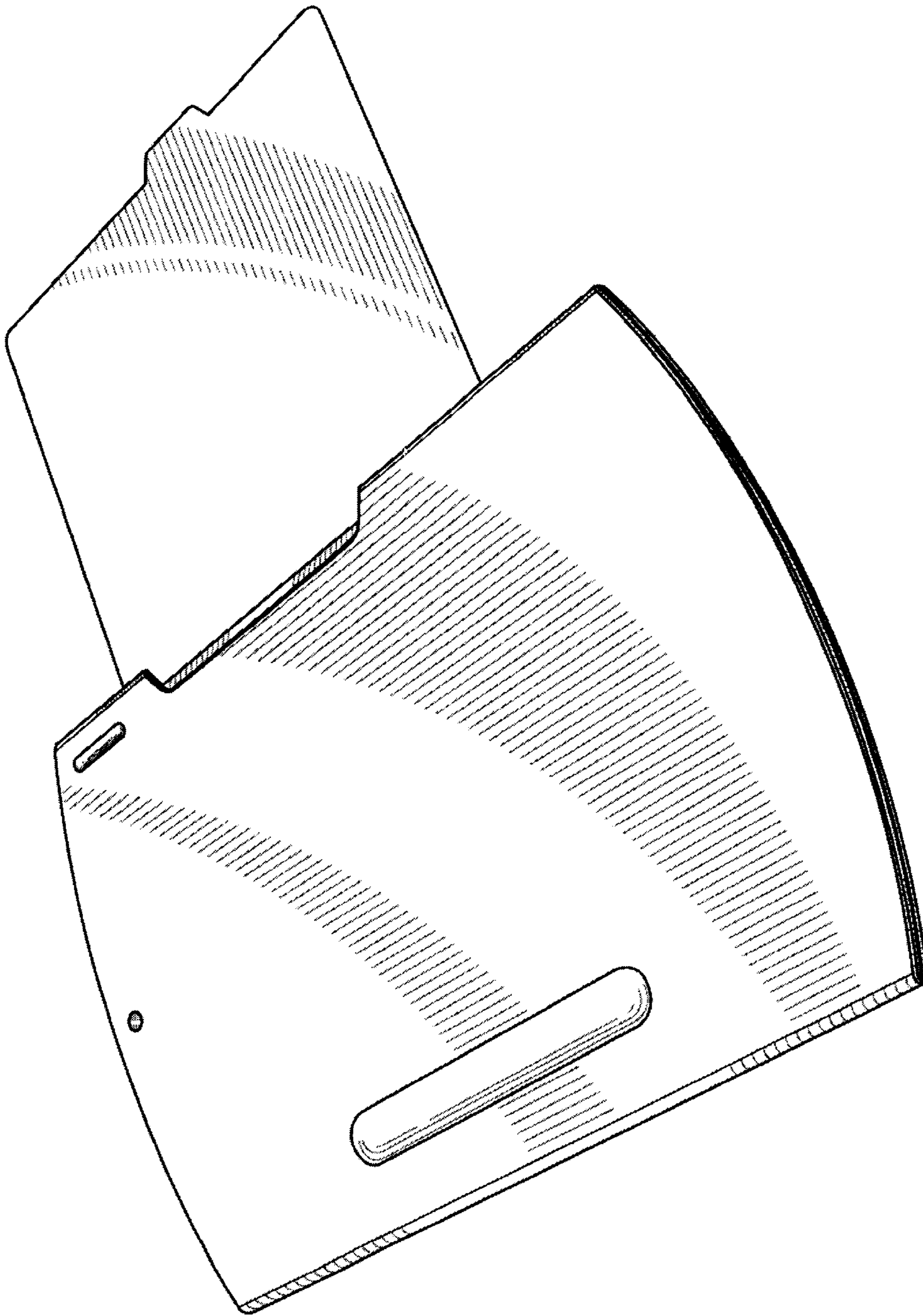


FIG.10