



US00D537117S

(12) **United States Design Patent** (10) **Patent No.:** **US D537,117 S**
Sinclair et al. (45) **Date of Patent:** **** Feb. 20, 2007**

(54) **DEVICE FOR USE AS A BOOKMARK OR FOR PROMOTIONAL PURPOSES**

(75) Inventors: **Iain Sinclair**, Cambridge (GB); **Grant Sinclair**, Cambridge (GB); **Godfrey Michael Bradman**, London (GB)

(73) Assignee: **KYP (Holdings) PLC**, London (GB)

(**) Term: **14 Years**

(21) Appl. No.: **29/252,599**

(22) Filed: **Jan. 26, 2006**

Related U.S. Application Data

(62) Division of application No. 29/202,431, filed on Mar. 31, 2004, now abandoned.

Foreign Application Priority Data

Oct. 9, 2003 (EP) 00088026
Jan. 7, 2004 (EP) 000123674

(51) **LOC (8) Cl.** **19-99**

(52) **U.S. Cl.** **D19/34**

(58) **Field of Classification Search** D19/32,
D19/34; 40/124.01, 124.03, 124.06, 124.08,
40/427, 445; 116/234, 235, 236, 237, 238,
116/239, 240; 281/42, 45

See application file for complete search history.

(56) **References Cited**

U.S. PATENT DOCUMENTS

1,966,340 A * 7/1934 Forbringer et al. 116/235

4,431,214 A * 2/1984 Buffington 283/65
D307,442 S * 4/1990 Cooper D19/34
D351,192 S * 10/1994 Klein D19/34
5,377,612 A * 1/1995 Catalano et al. 116/234
D362,016 S * 9/1995 Faulkingham D19/34
5,518,409 A * 5/1996 White 434/405
D374,459 S * 10/1996 Vartanian D19/34
6,109,205 A * 8/2000 Smith 116/234
6,543,379 B2 * 4/2003 Schwartz 116/234
2005/0120940 A1 * 6/2005 Sinclair et al. 116/234

* cited by examiner

Primary Examiner—Elizabeth A. Albert

(74) *Attorney, Agent, or Firm*—Venable LLP; Robert Kinberg; Manni Li

(57) **CLAIM**

The ornamental design for a device for use as a bookmark or for promotional purposes, as shown and described.

DESCRIPTION

FIG. 1 is a perspective view from the front-top-left side of the device for use as a bookmark or for promotional purposes showing our new design with the pull-outs partly inserted in their pockets;

FIG. 2 is a front view of the design shown in FIG. 1 with the pull-outs in their pockets;

FIG. 3 is a rear view of the design shown in FIG. 1 with the pull-outs pulled out from their pockets;

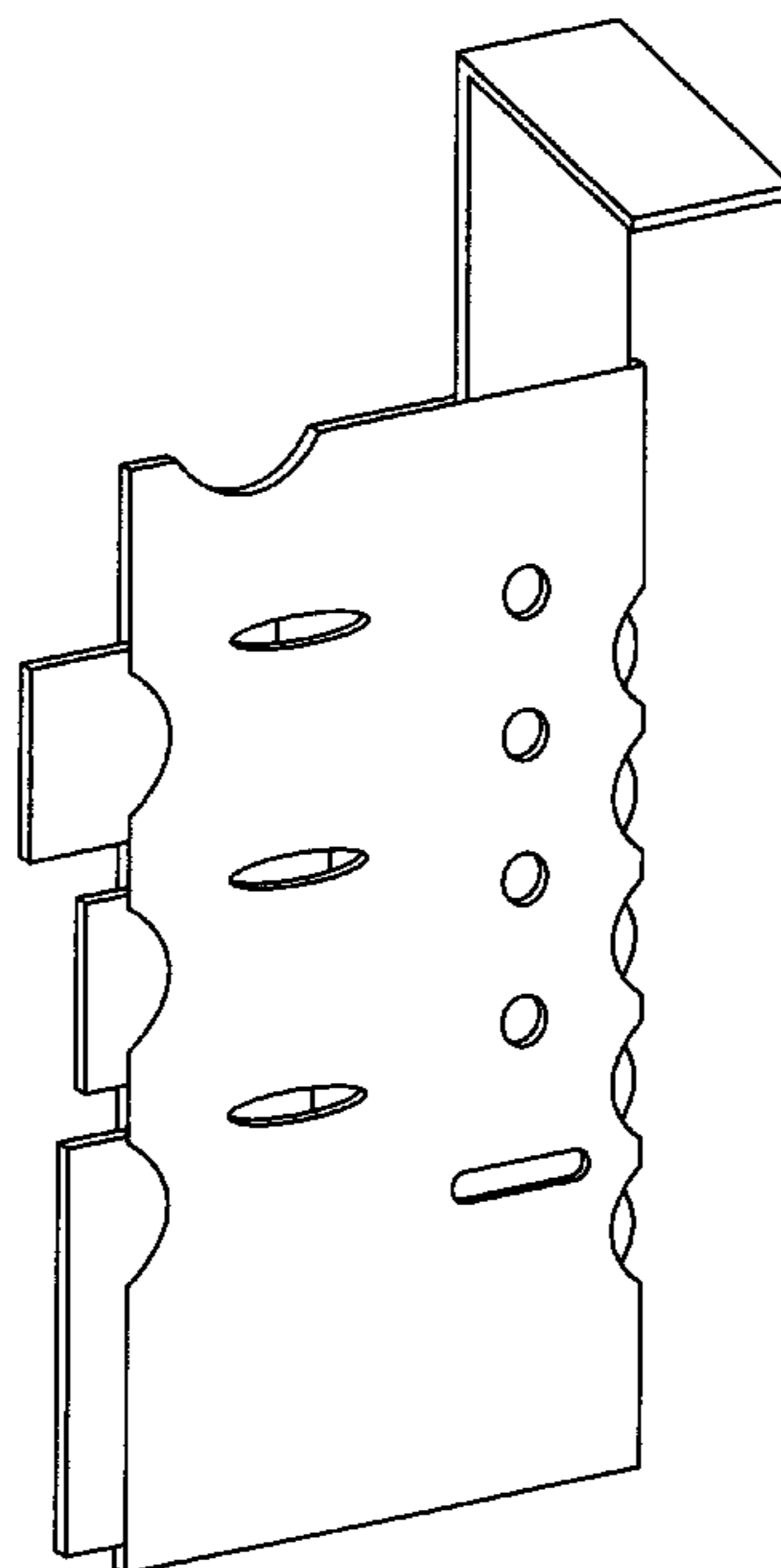
FIG. 4 is a left side view of the design shown in FIG. 1;

FIG. 5 is a right side view of the design shown in FIG. 1;

FIG. 6 is a top view of the design shown in FIG. 1; and,

FIG. 7 is a bottom view of the design shown in FIG. 1.

1 Claim, 6 Drawing Sheets



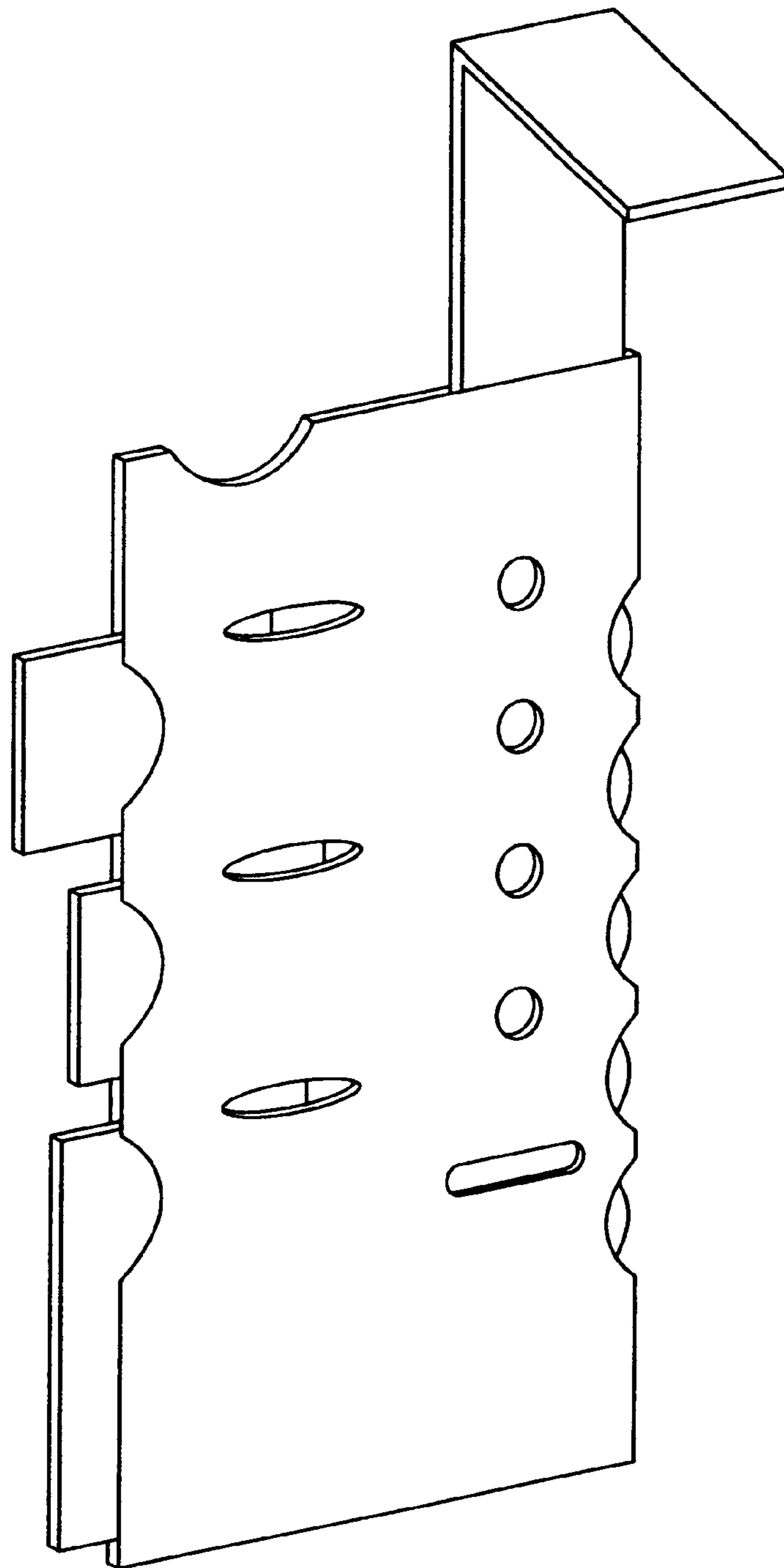


FIG. 1

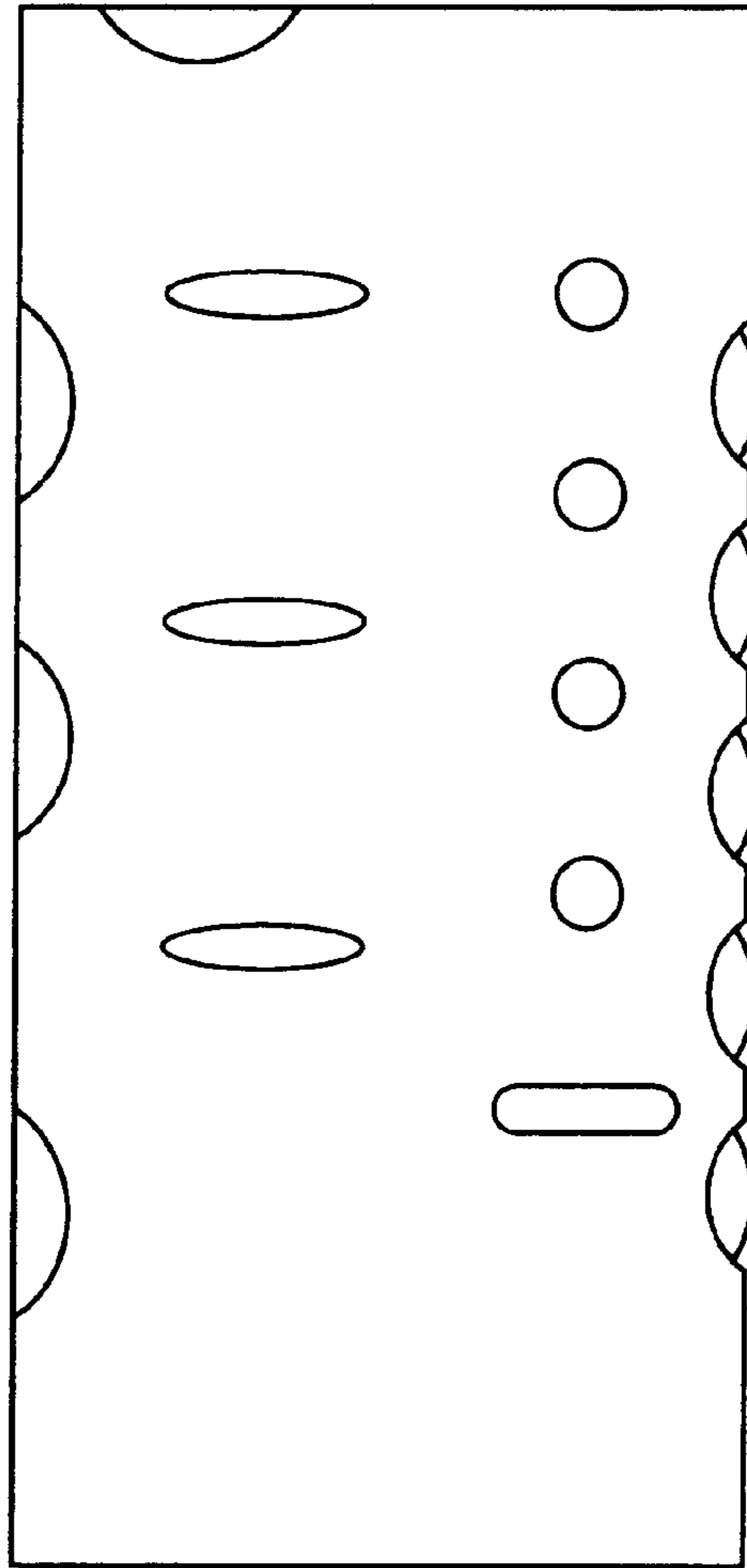


FIG. 2

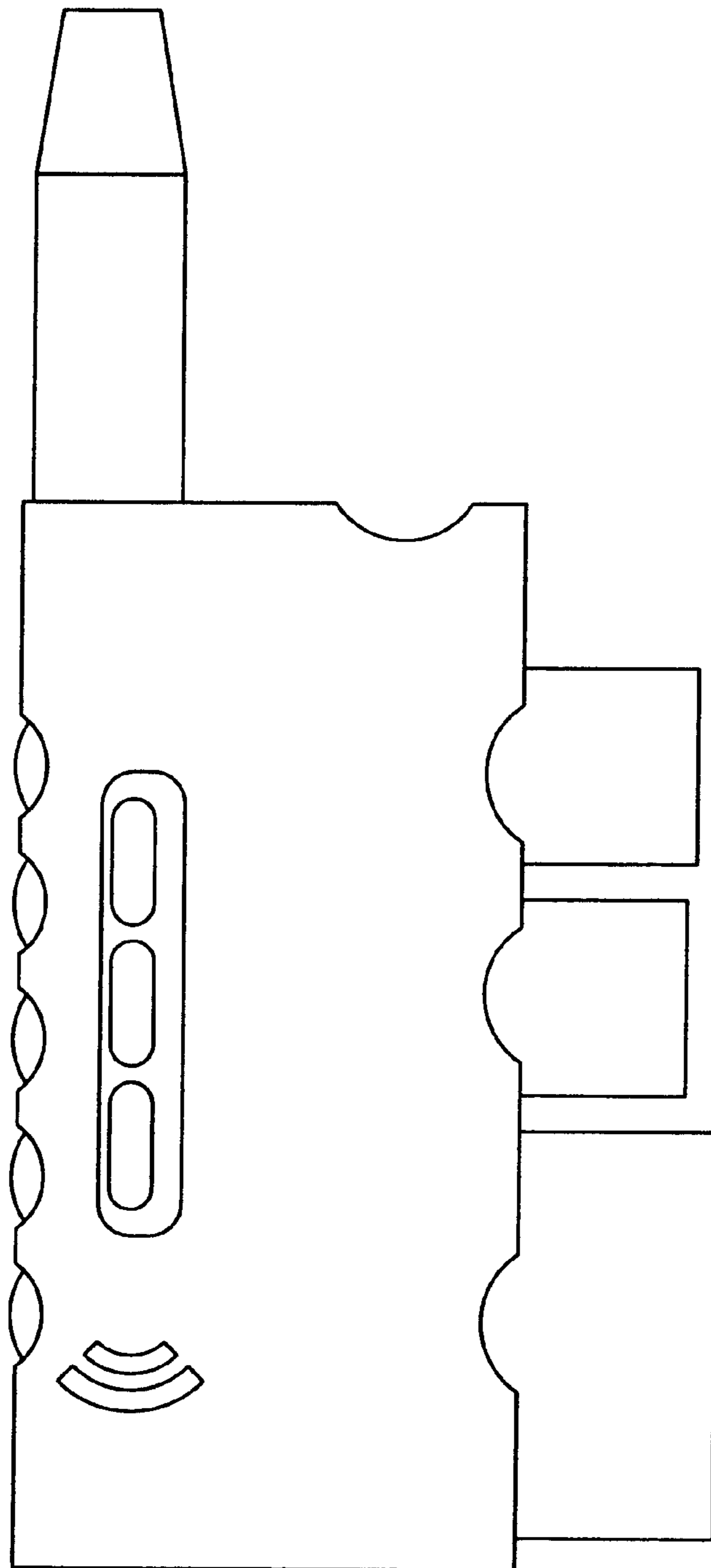


FIG. 3



FIG. 4



FIG. 5



FIG. 6



FIG. 7