



US00D537112S

(12) **United States Design Patent**
Yamaguchi

(10) **Patent No.:** **US D537,112 S**

(45) **Date of Patent:** **** Feb. 20, 2007**

(54) **PRINTER**

(75) Inventor: **Yasutake Yamaguchi**, Chiryu (JP)

(73) Assignee: **Brother Industries Ltd.**, Nagoya (JP)

(**) Term: **14 Years**

(21) Appl. No.: **29/238,421**

(22) Filed: **Sep. 16, 2005**

(30) **Foreign Application Priority Data**

Apr. 11, 2005 (JP) 2005-010804

(51) **LOC (8) Cl.** **14-02**

(52) **U.S. Cl.** **D18/50**

(58) **Field of Classification Search** D18/14,
D18/19, 36-39, 41, 50, 53, 54, 54.1, 55;
D14/420-425, 462-470; D16/246-248; 399/107;
400/613, 613.1-613.4, 690.1-690.4, 691-694
See application file for complete search history.

(56) **References Cited**

U.S. PATENT DOCUMENTS

- D284,864 S * 7/1986 Serikawa et al. D18/36
- D313,814 S * 1/1991 Komada et al. D18/37
- D318,873 S * 8/1991 Katada D18/39

- D320,808 S * 10/1991 Ishida D18/37
- D353,829 S * 12/1994 Onoda D18/39
- D355,670 S * 2/1995 Ando et al. D18/39
- D366,272 S * 1/1996 Okamoto et al. D16/246
- D451,124 S * 11/2001 Isomoto D18/39
- D479,555 S * 9/2003 Sakai D18/50
- D482,719 S * 11/2003 Hattori D18/50
- D493,817 S * 8/2004 Yoshida et al. D18/39
- D501,019 S * 1/2005 Yoshida et al. D18/39

* cited by examiner

Primary Examiner—Cathy Anne MacCormac

(74) *Attorney, Agent, or Firm*—Olliff & Berridge, PLC

(57) **CLAIM**

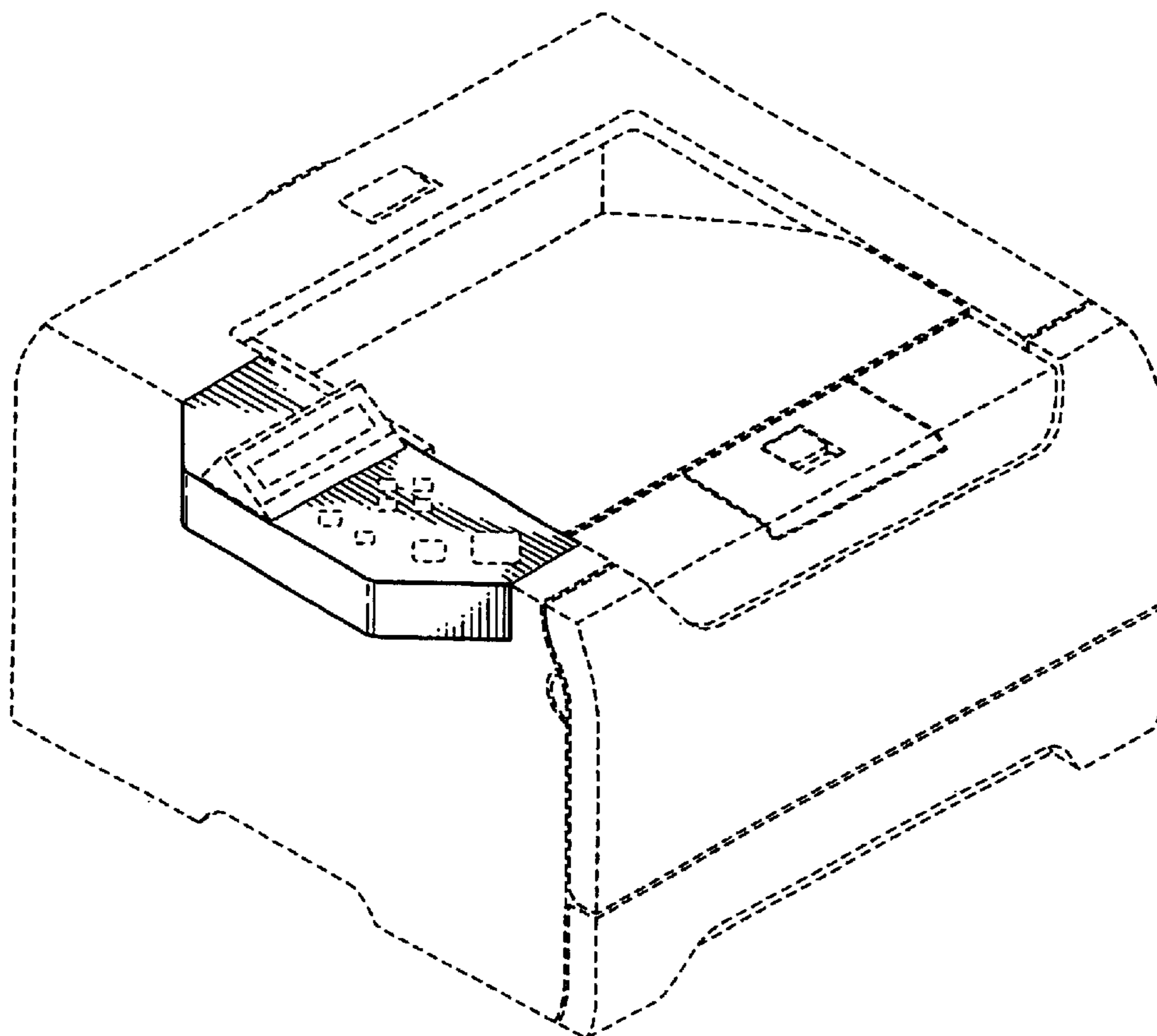
The ornamental design for a printer, as shown and described.

DESCRIPTION

FIG. 1 is a perspective view of a printer;
FIG. 2 is a front view thereof;
FIG. 3 is a top view thereof;
FIG. 4 is a left-side view thereof;
FIG. 5 is a rear view thereof; and,
FIG. 6 is a bottom view thereof.

The broken lines are for purposes of illustration only and form no part of the claimed design.

1 Claim, 4 Drawing Sheets



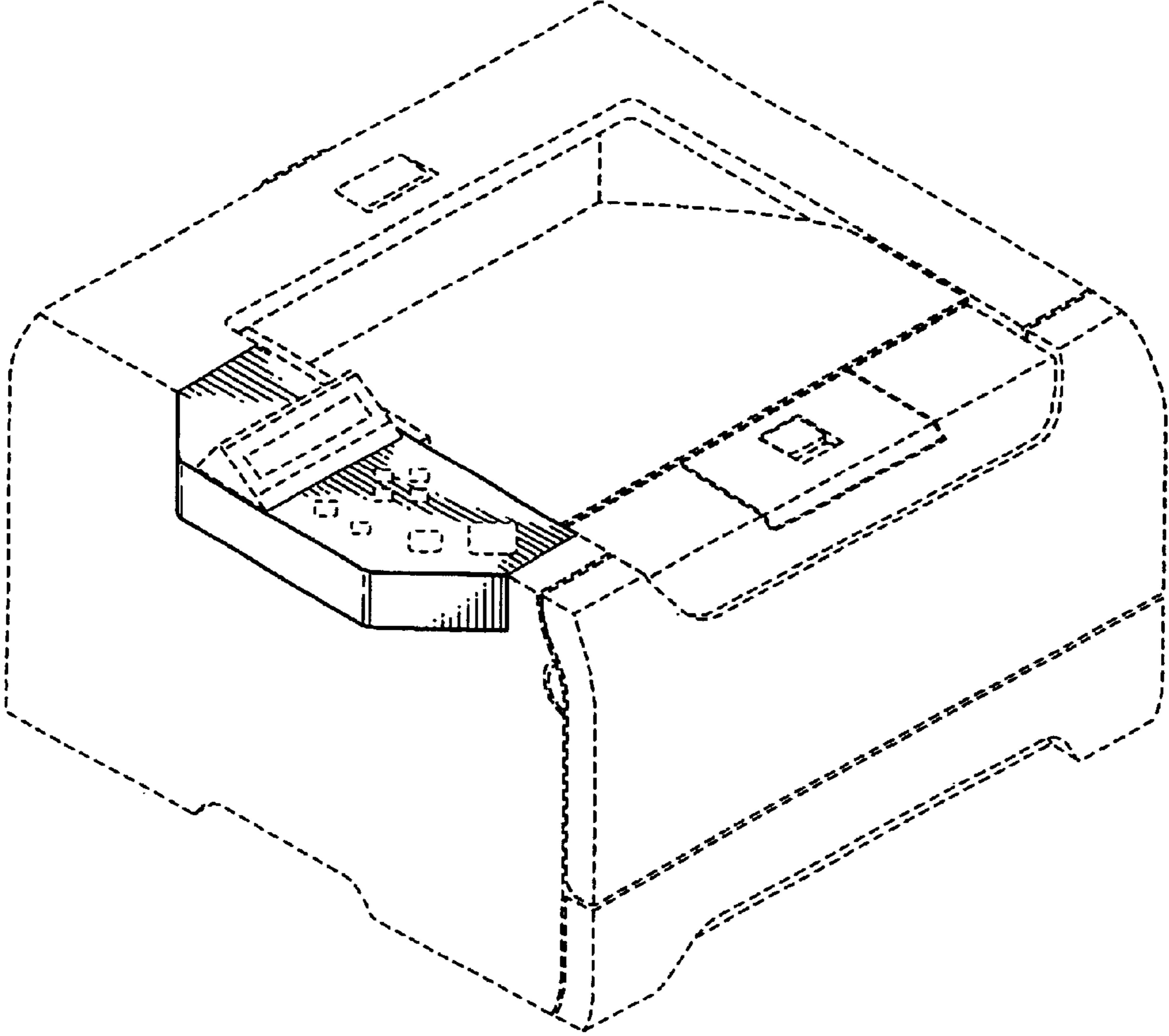


FIG. 1

FIG. 2

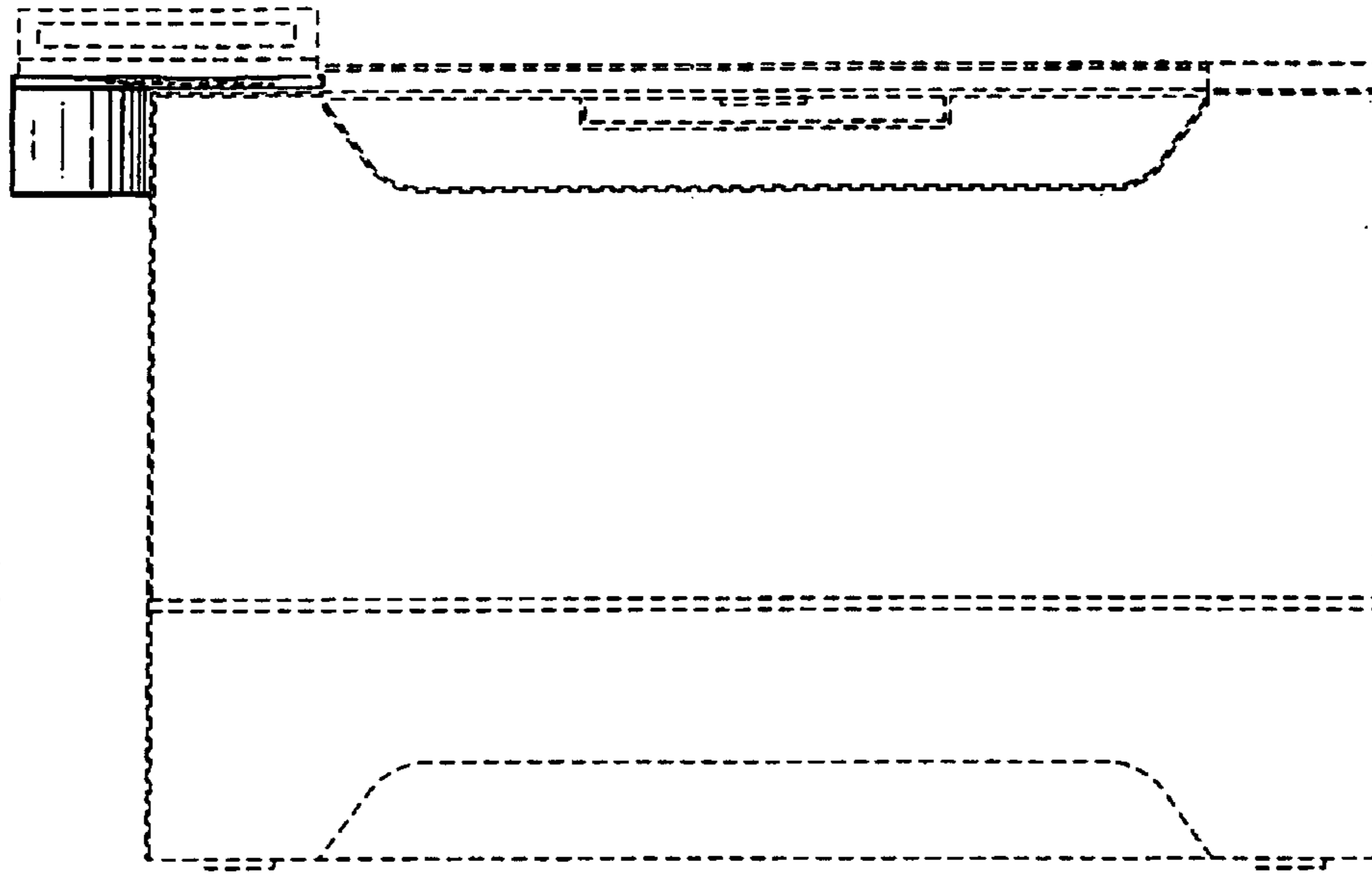
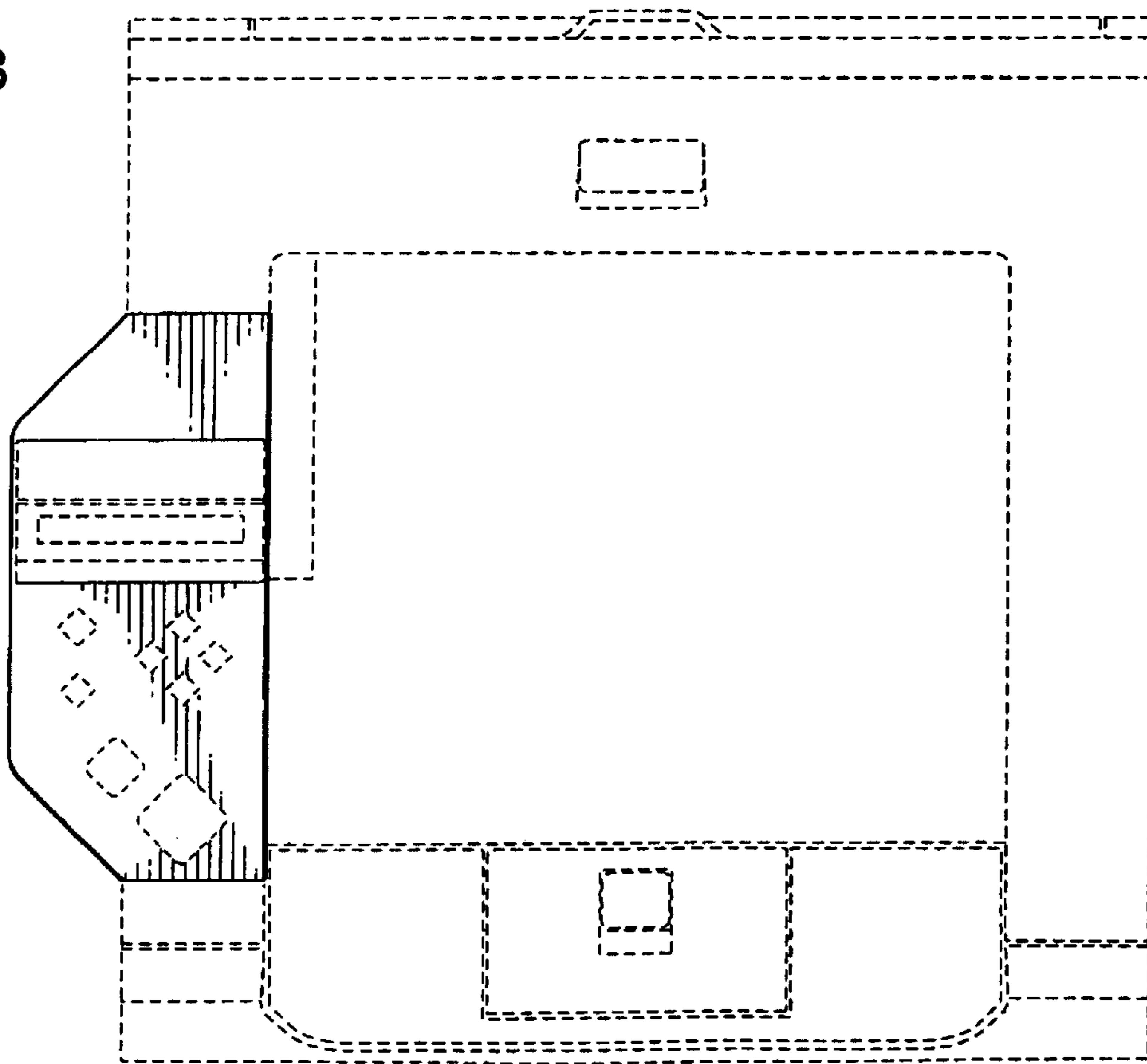


FIG. 3



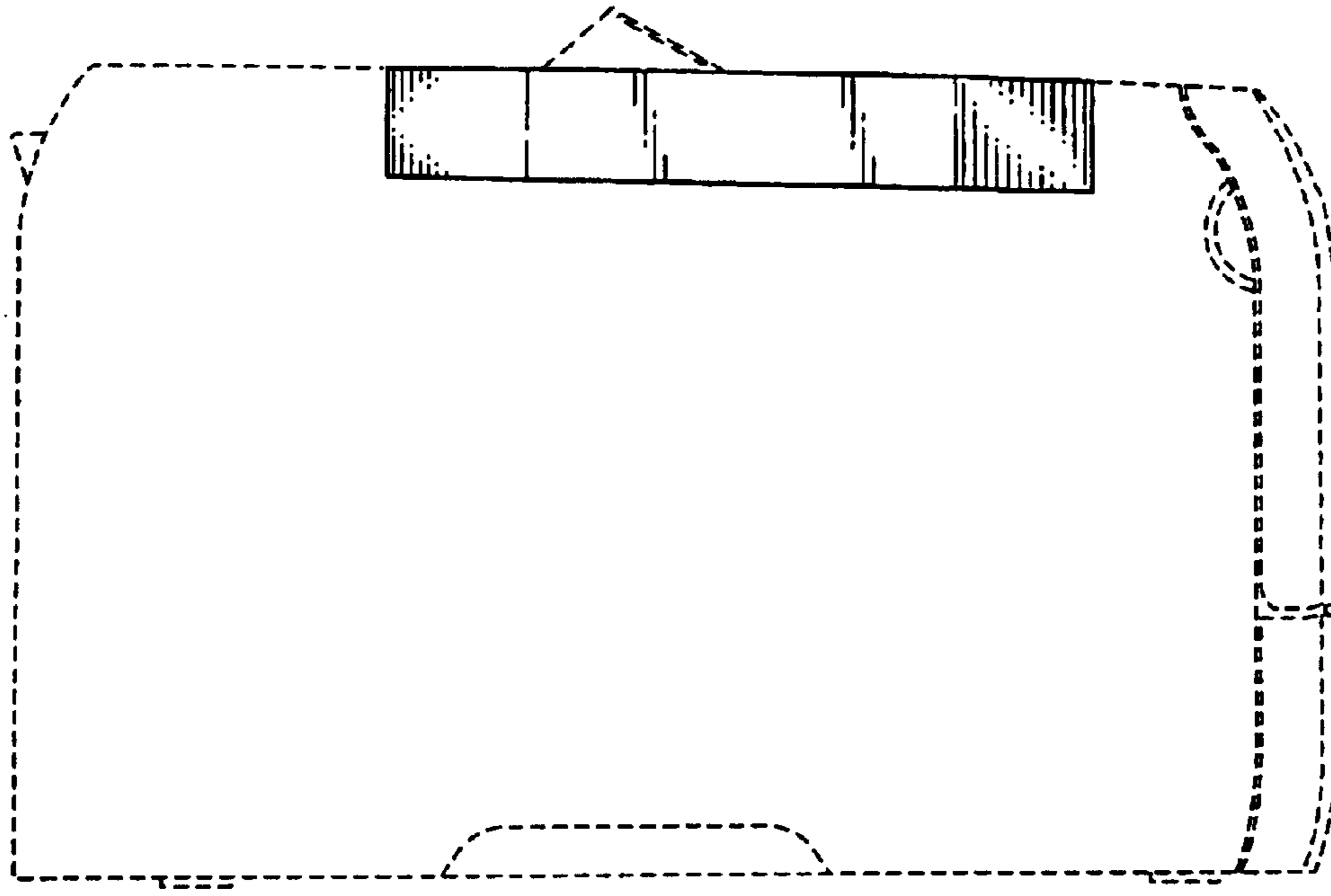


FIG. 4

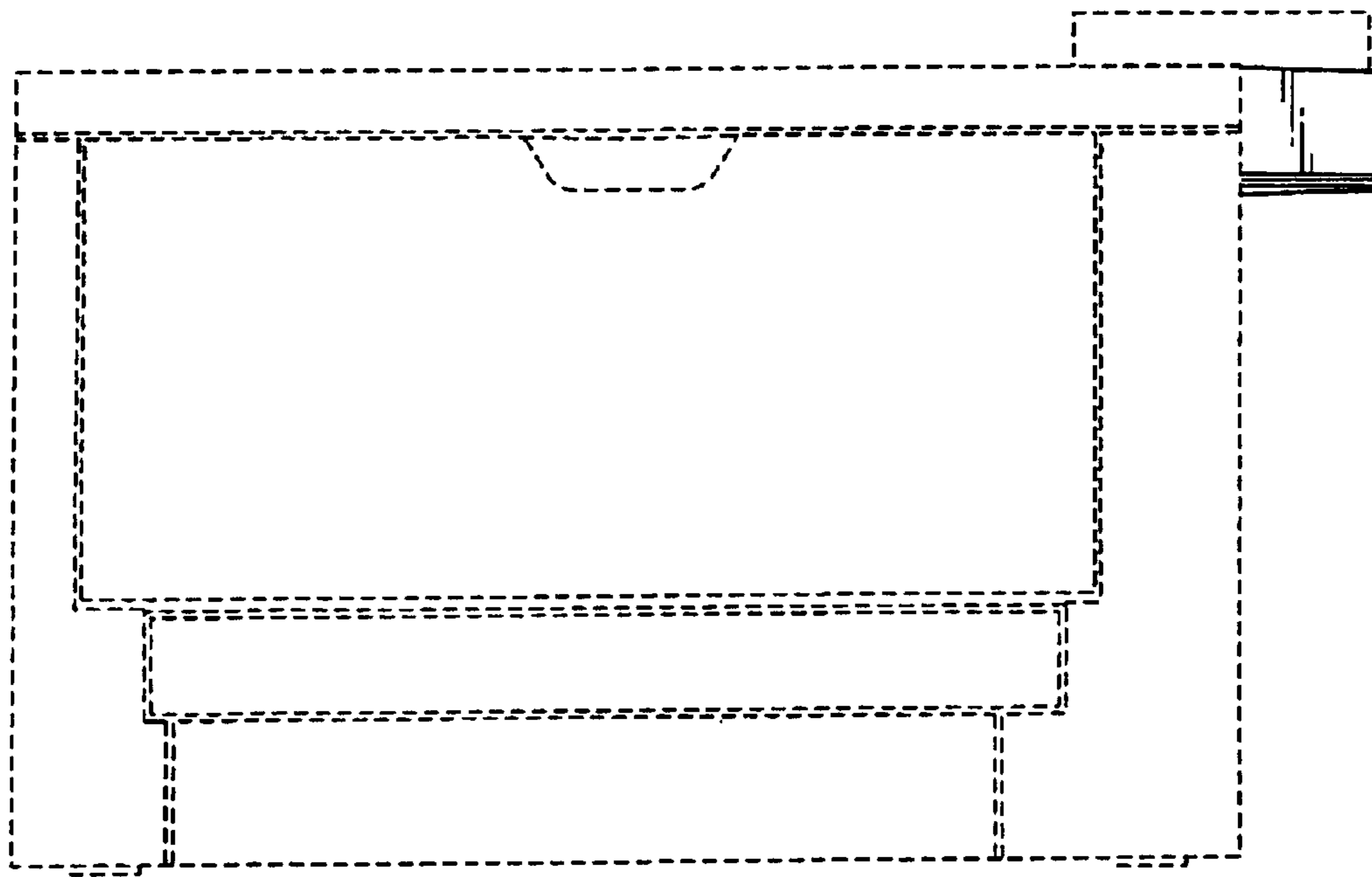


FIG. 5

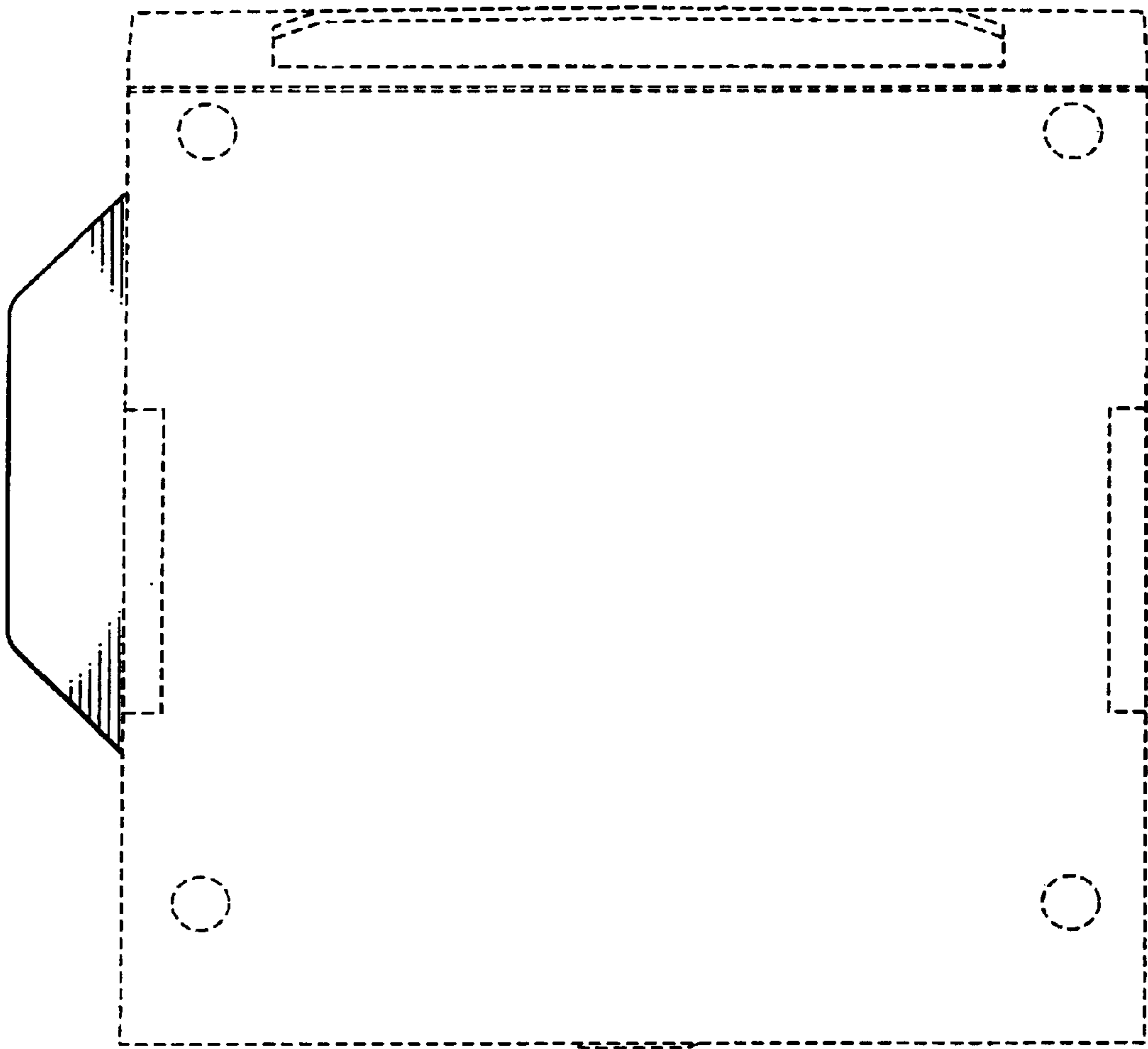


FIG. 6