



US00D537110S

(12) **United States Design Patent**
Nakata et al.

(10) **Patent No.:** **US D537,110 S**

(45) **Date of Patent:** **** Feb. 20, 2007**

(54) **PHOTOCONDUCTOR CARTRIDGE**

(75) Inventors: **Masanori Nakata**, Nagano-ken (JP);
Masahiro Maeda, Nagano-ken (JP);
Isao Inaba, Nagano-ken (JP)

(73) Assignee: **Seiko Epson Corporation**, Tokyo (JP)

(**) Term: **14 Years**

(21) Appl. No.: **29/219,457**

(22) Filed: **Dec. 17, 2004**

(30) **Foreign Application Priority Data**

Jul. 1, 2004 (JP) 2004-019858

(51) **LOC (8) Cl.** **16-03**

(52) **U.S. Cl.** **D18/40**

(58) **Field of Classification Search** D18/36,
D18/40, 43, 56; 222/DIG. 1; 399/24, 25,
399/27, 28, 31, 33, 110-112, 114, 119-126,
399/222-224, 252-262

See application file for complete search history.

(56) **References Cited**

U.S. PATENT DOCUMENTS

D365,845 S * 1/1996 Yasuda et al. D18/43
5,585,902 A * 12/1996 Nishiuwatoko et al. 399/111
5,974,287 A * 10/1999 Kurz et al. 399/114

D419,182 S * 1/2000 Tsuda et al. D18/43
D447,511 S * 9/2001 Kimura et al. D18/40
D448,042 S * 9/2001 Hale et al. D18/43
6,317,572 B1 * 11/2001 Miyabe et al. 399/111
2001/0021314 A1 * 9/2001 Hibi 399/27
2001/0043814 A1 * 11/2001 Abe 399/27
2002/0127023 A1 * 9/2002 Nozawa 399/27

* cited by examiner

Primary Examiner—Caron D. Veynar

Assistant Examiner—Garth Rademaker

(74) *Attorney, Agent, or Firm*—Stroock & Stroock & Lavan
LLP

(57) **CLAIM**

The ornamental design for a photoconductor cartridge, as shown.

DESCRIPTION

FIG. 1 is a perspective view of a photoconductor cartridge showing our new design;

FIG. 2 is another perspective view thereof;

FIG. 3 is a front view thereof;

FIG. 4 is a rear view thereof;

FIG. 5 is a top plan view thereof;

FIG. 6 is a bottom plan view thereof;

FIG. 7 is a right side elevational view thereof;

FIG. 8 is a left side elevational view thereof.

1 Claim, 4 Drawing Sheets

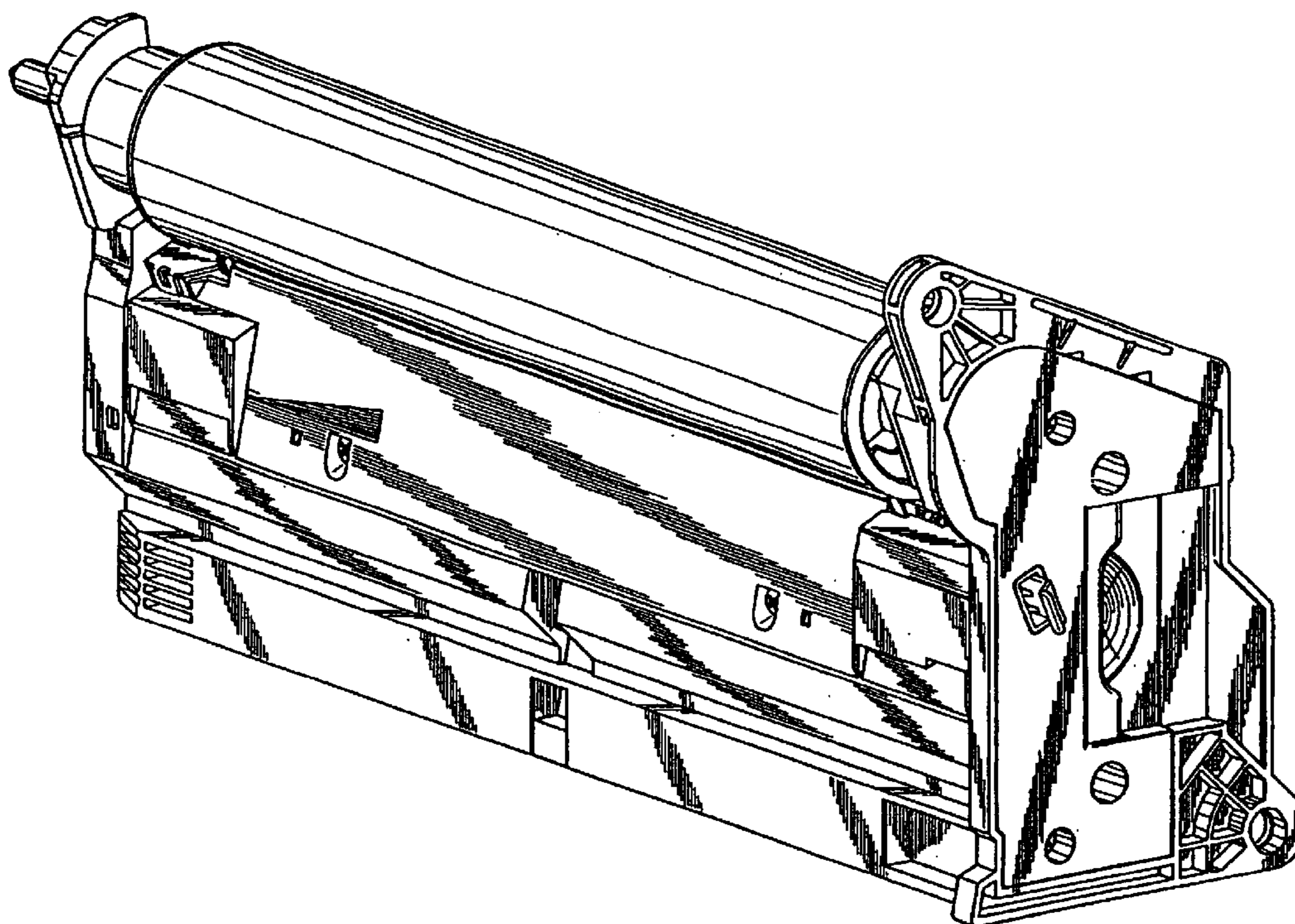


FIG. 1

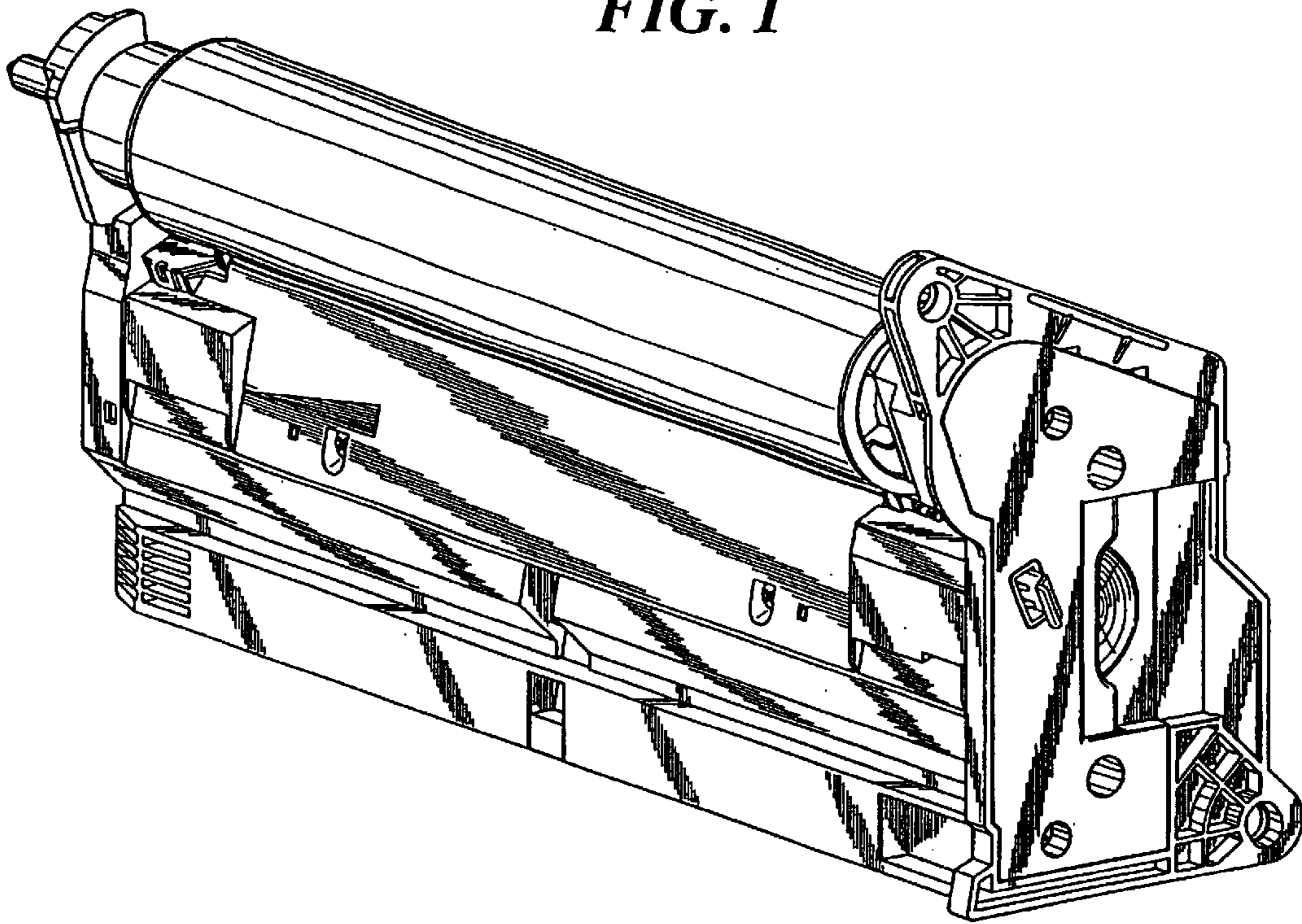


FIG. 2

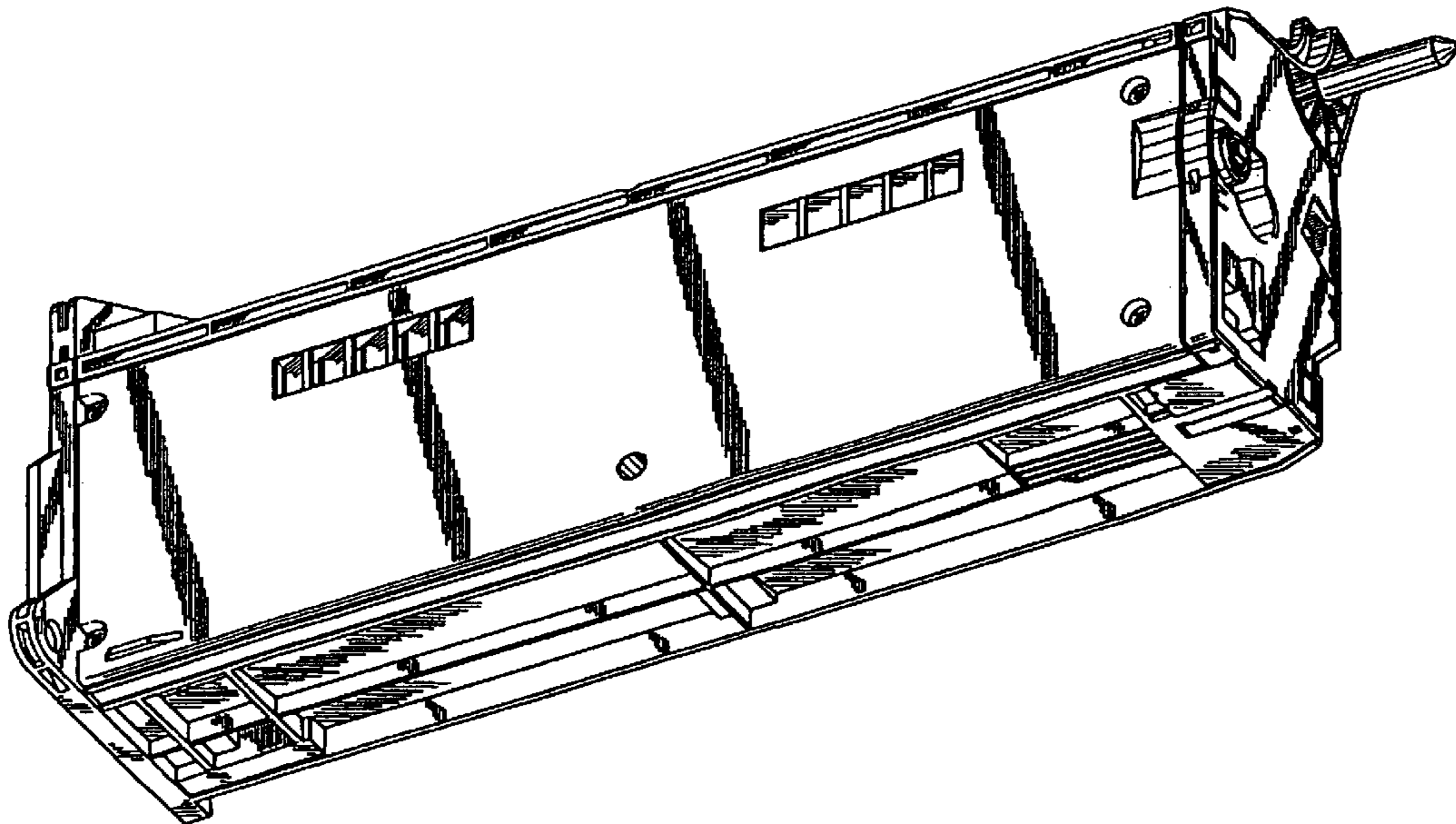


FIG. 3

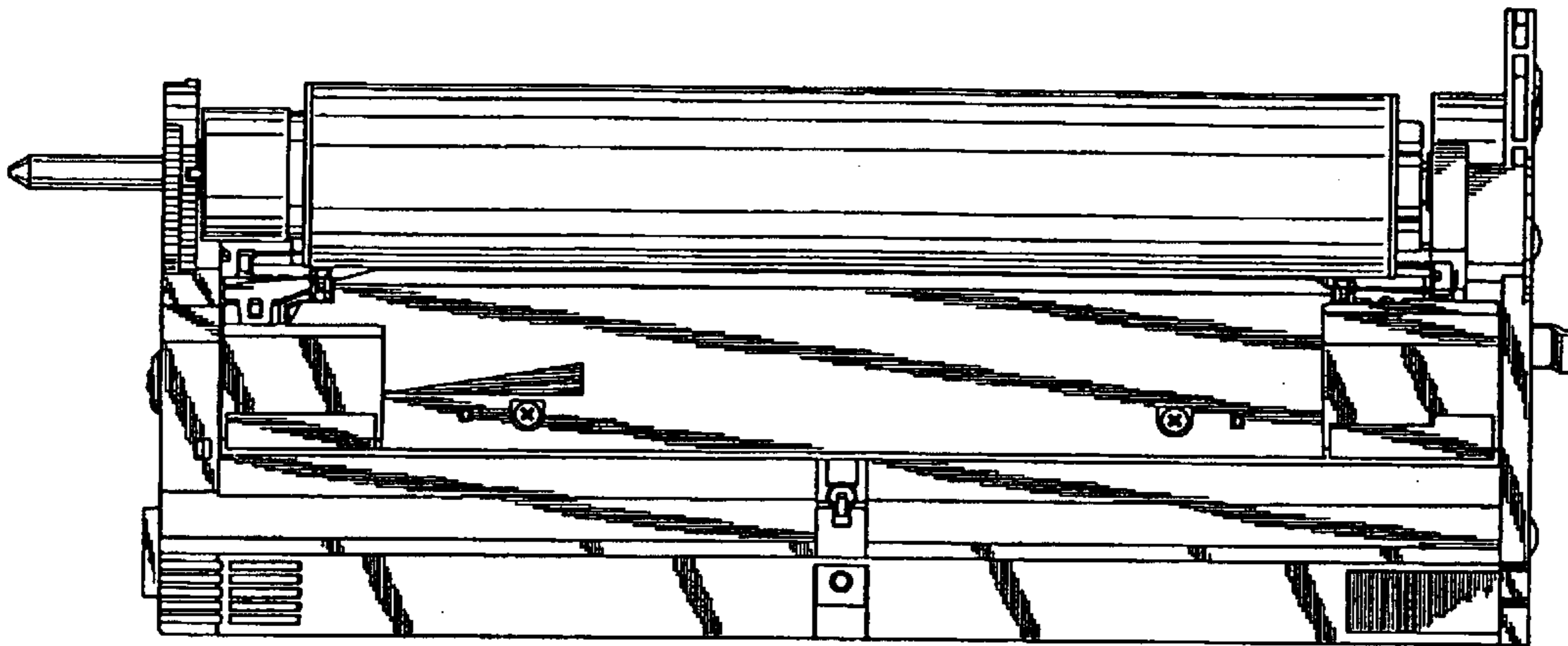


FIG. 4

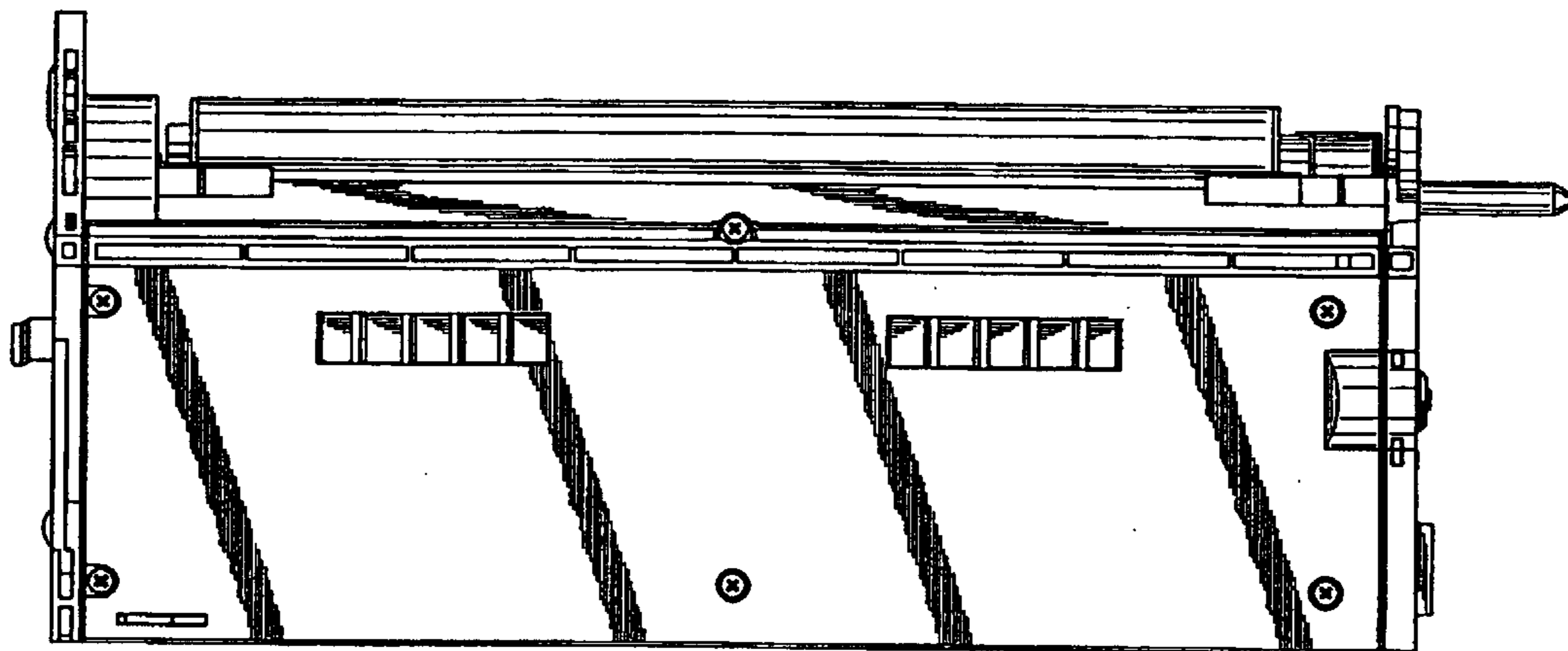


FIG. 5

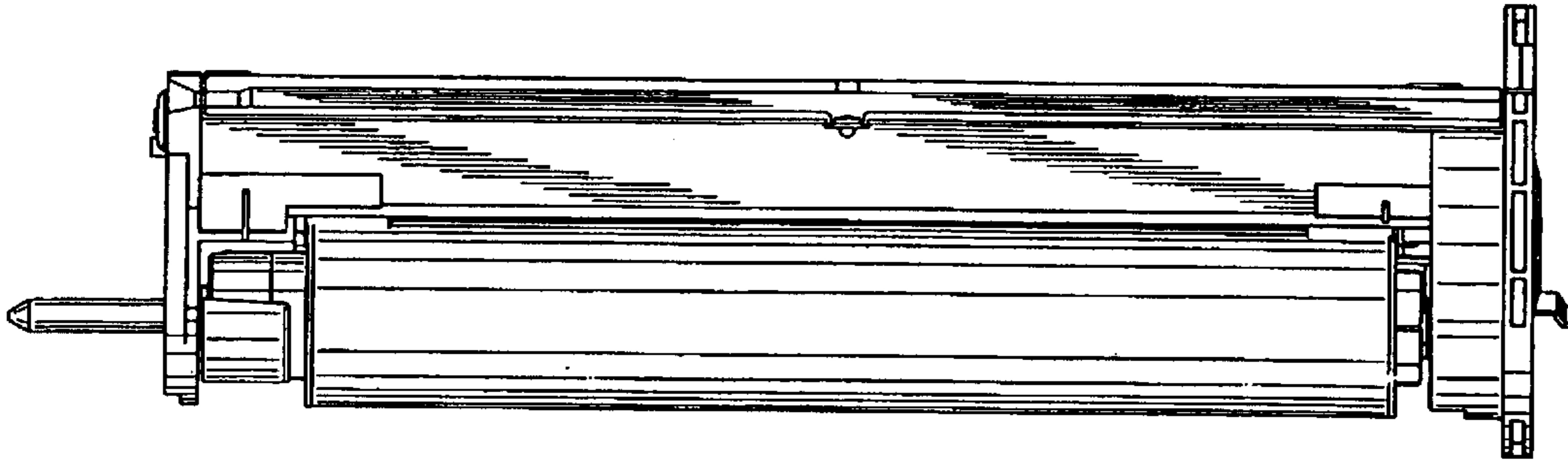


FIG. 6

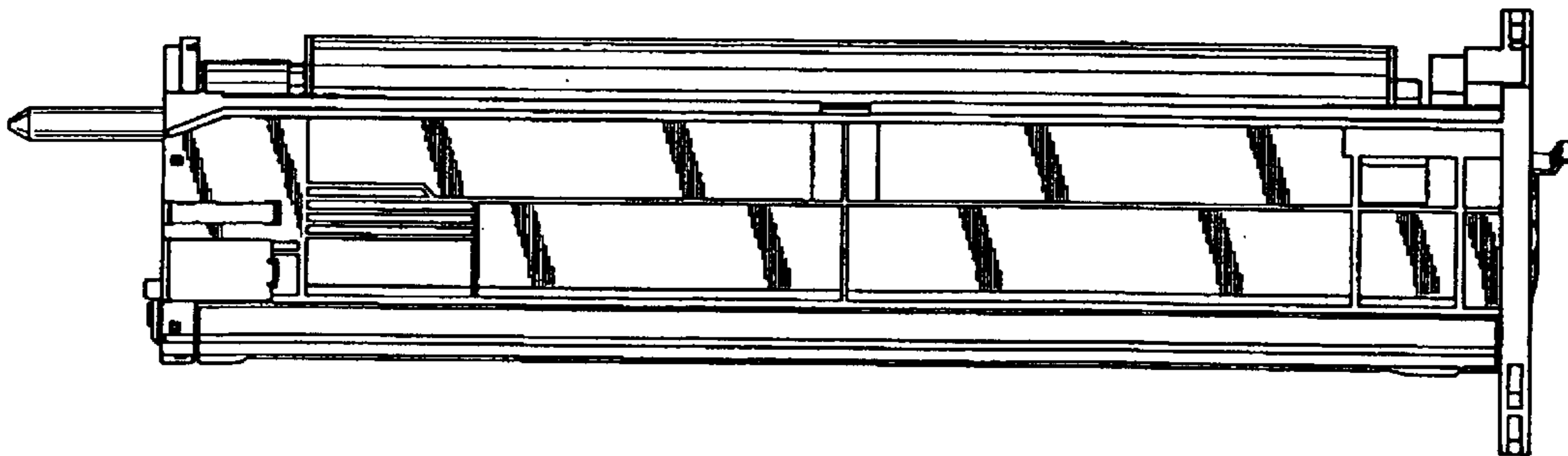


FIG. 7

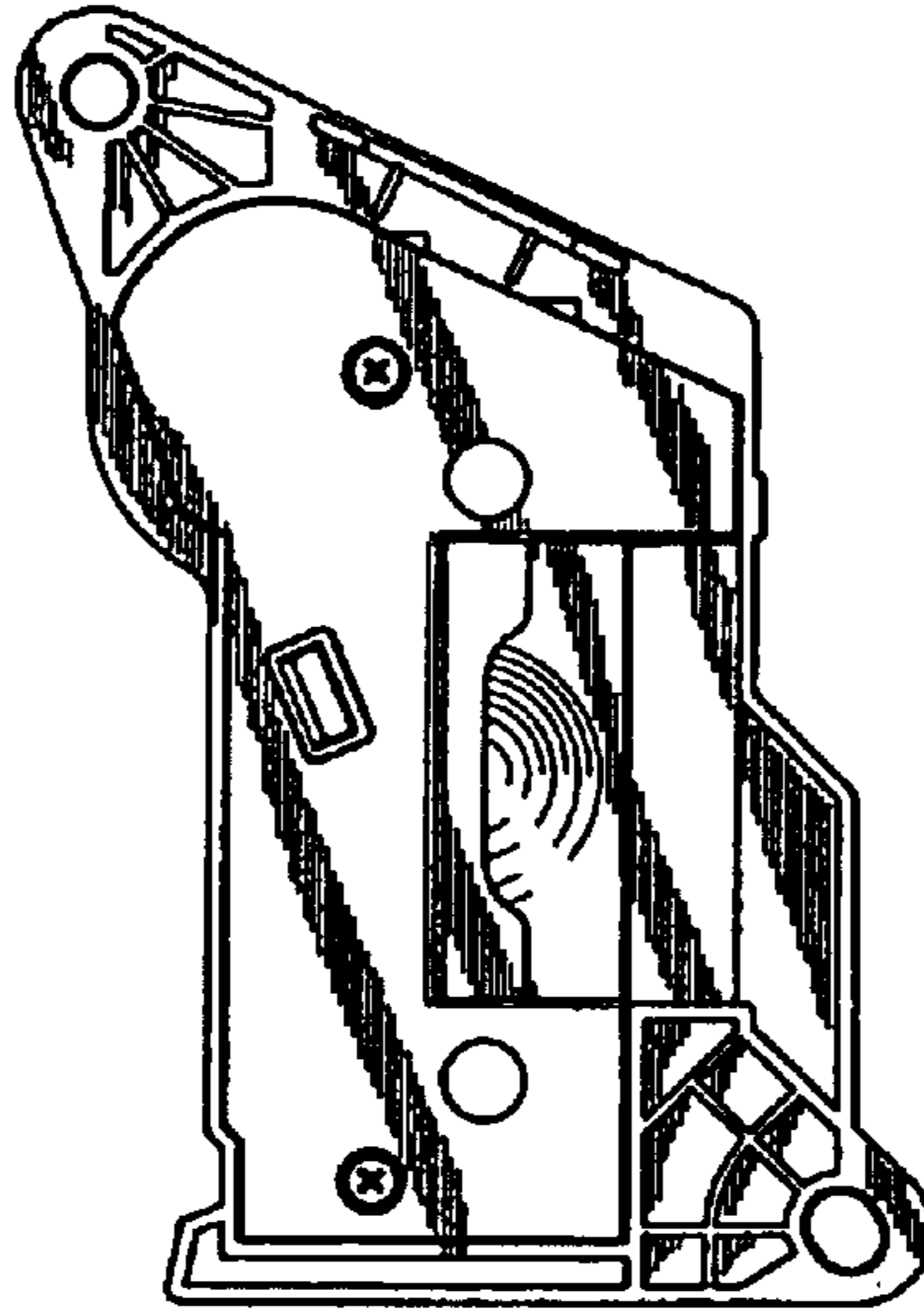
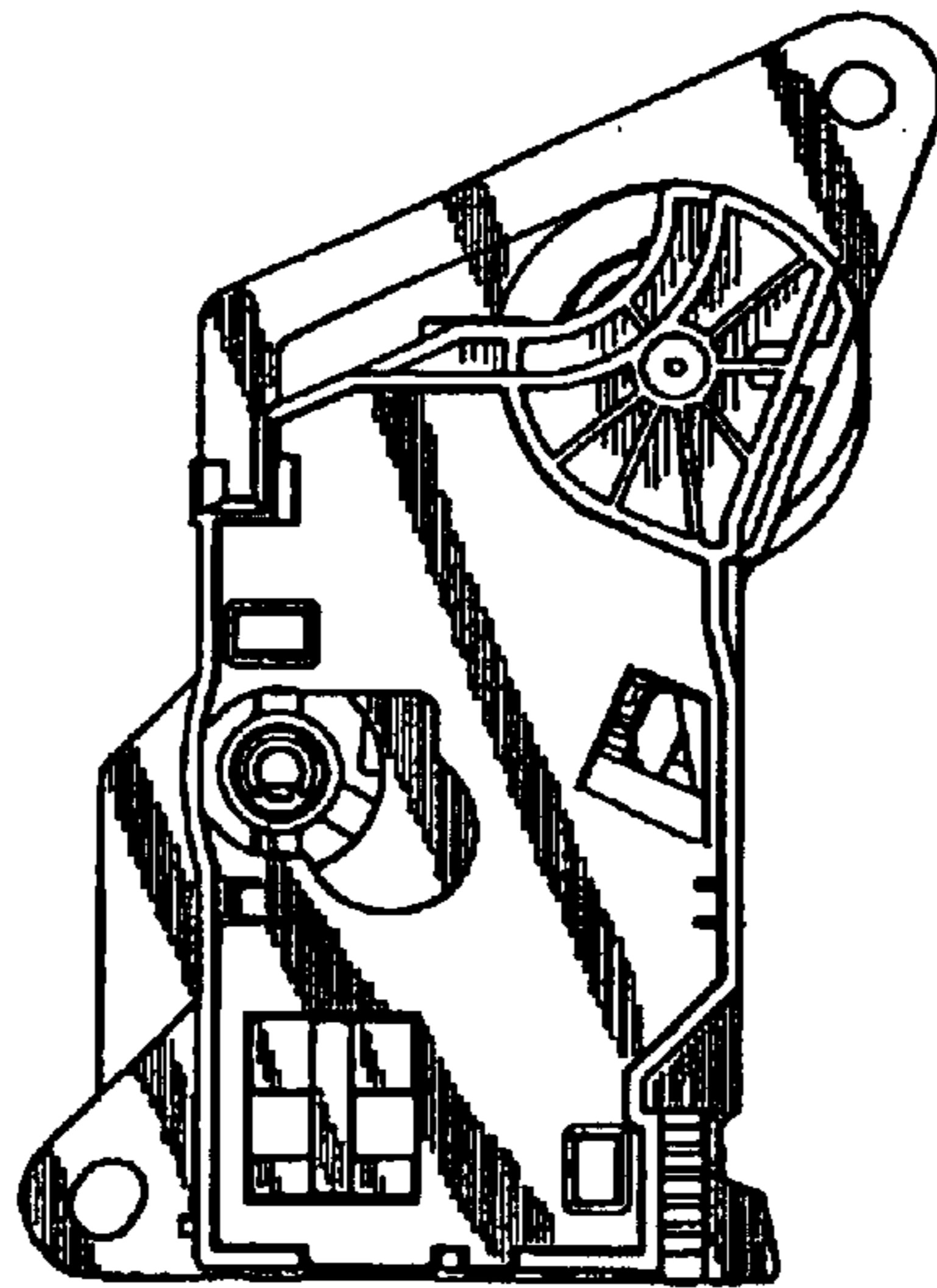


FIG. 8



UNITED STATES PATENT AND TRADEMARK OFFICE
CERTIFICATE OF CORRECTION

PATENT NO. : Des. 537,110 S
APPLICATION NO. : 29/219457
DATED : February 20, 2007
INVENTOR(S) : Masanori Nakata, Masahiro Maeda and Isao Inaba

Page 1 of 1

It is certified that error appears in the above-identified patent and that said Letters Patent is hereby corrected as shown below:

Title Page

After Item [73], ASSIGNEE, please insert the following

--[*] Notice: This patent is subject to a terminal disclaimer.--

Signed and Sealed this

Third Day of July, 2007

A handwritten signature in black ink on a light gray dotted background. The signature reads "Jon W. Dudas" in a cursive style.

JON W. DUDAS

Director of the United States Patent and Trademark Office