

US00D537108S

(12) **United States Design Patent**  
**Sezaki**

(10) **Patent No.:** **US D537,108 S**

(45) **Date of Patent:** **\*\* Feb. 20, 2007**

(54) **HOUSING FOR A PAPER SHREDDER**

FOREIGN PATENT DOCUMENTS

(75) Inventor: **Kouji Sezaki**, Osaka (JP)

JP 1005212 12/1997

(73) Assignee: **Nakabayashi Co., Ltd.** (JP)

JP 1005213 12/1997

(\*\*) Term: **14 Years**

JP 1047851 5/1999

(21) Appl. No.: **29/226,236**

JP D1062516 11/1999

(22) Filed: **Mar. 25, 2005**

JP D1062518 11/1999

(51) **LOC (8) Cl.** ..... **18-04**

JP 1005211 12/1999

(52) **U.S. Cl.** ..... **D18/34.5**

JP 1005211-001 12/1999

(58) **Field of Classification Search** ..... D18/34.1-34.9,  
D18/99, 54, 50, 56; 83/167, 289, 302, 203,  
83/523, 633; 241/169.1, 154, 157, 222, 224,  
241/168, 284, 295, 37.5, 285.1, 2, 100, 236;  
D8/99, 105; D7/381, 383; D14/356, 443,  
D14/441; D13/83, 84; D19/65, 72  
See application file for complete search history.

JP D1078124 4/2000

JP D1099013 11/2000

JP D1107082 2/2001

\* cited by examiner

*Primary Examiner*—Charles A. Rademaker

(74) *Attorney, Agent, or Firm*—Thompson Hine LLP

(57) **CLAIM**

The ornamental design for a housing for a paper shredder, as shown.

**DESCRIPTION**

(56) **References Cited**

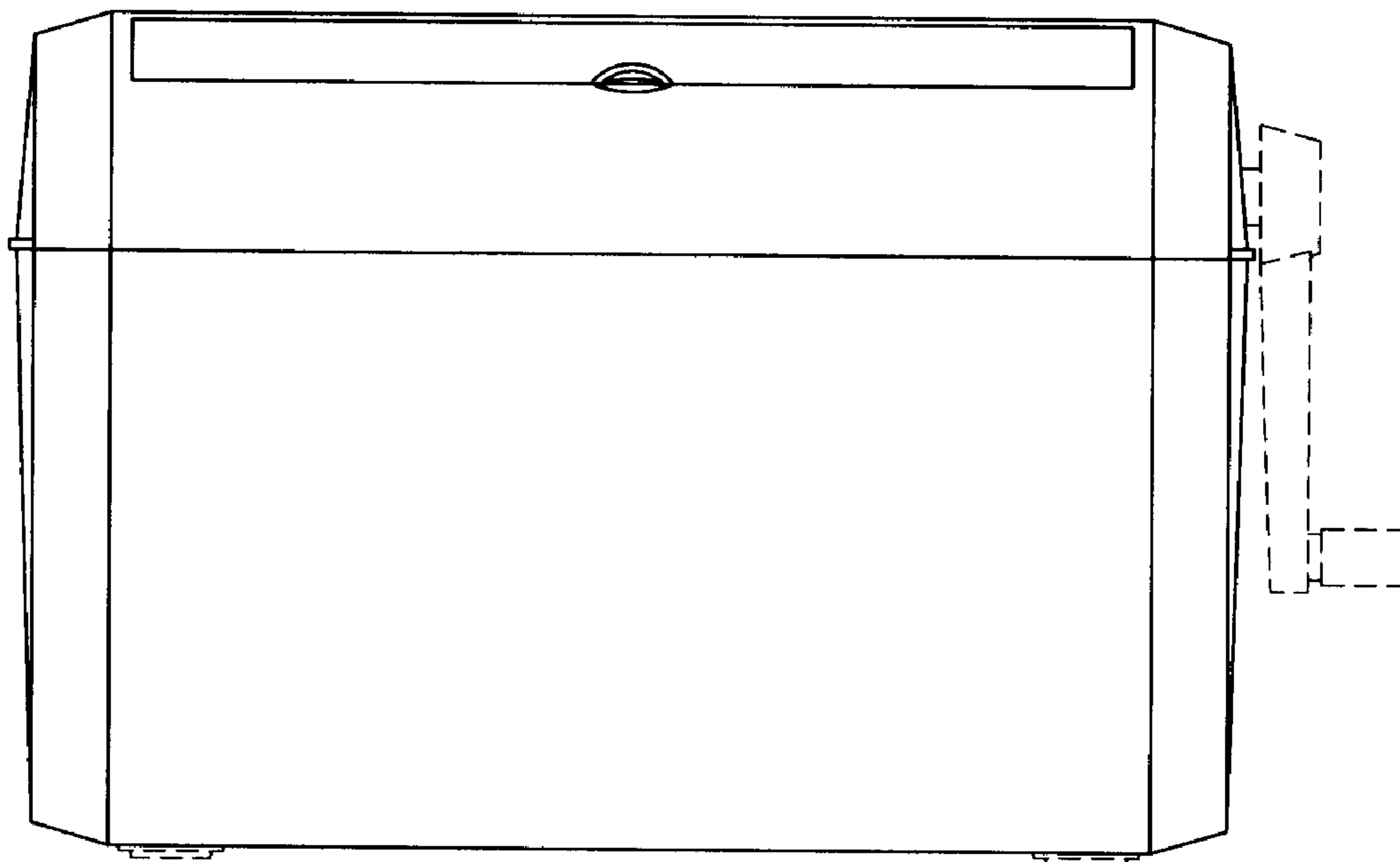
U.S. PATENT DOCUMENTS

- D147,106 S \* 7/1947 Bradstock et al. .... D13/184
- D186,836 S \* 12/1959 Jorgenson ..... D7/383
- D325,043 S \* 3/1992 Widdison ..... D18/34.5
- D326,866 S \* 6/1992 Widdison ..... D18/34.5
- D329,055 S \* 9/1992 Krause et al. .... D18/34.5
- D362,866 S \* 10/1995 Johansson ..... D18/34.4
- 5,692,424 A \* 12/1997 Wallace ..... 83/167
- D426,805 S \* 6/2000 Iwata ..... D18/34.4
- D434,433 S \* 11/2000 Hung ..... D18/34.5
- 6,164,573 A \* 12/2000 Li-Ming ..... 241/100
- 6,390,398 B1 \* 5/2002 Wu Huang ..... 241/100

FIG. 1 is a front elevational view of a housing for a paper shredder showing my new design; FIG. 2 is a rear elevational view thereof; FIG. 3 is a right side elevational view thereof; FIG. 4 is a left side elevational view thereof; FIG. 5 is a top plan view thereof; and, FIG. 6 is a top perspective view thereof shown on a slightly reduced scale.

The broken lines showing a crank handle and support members are for illustrative purposes only and form no part of the claimed design.

**1 Claim, 3 Drawing Sheets**



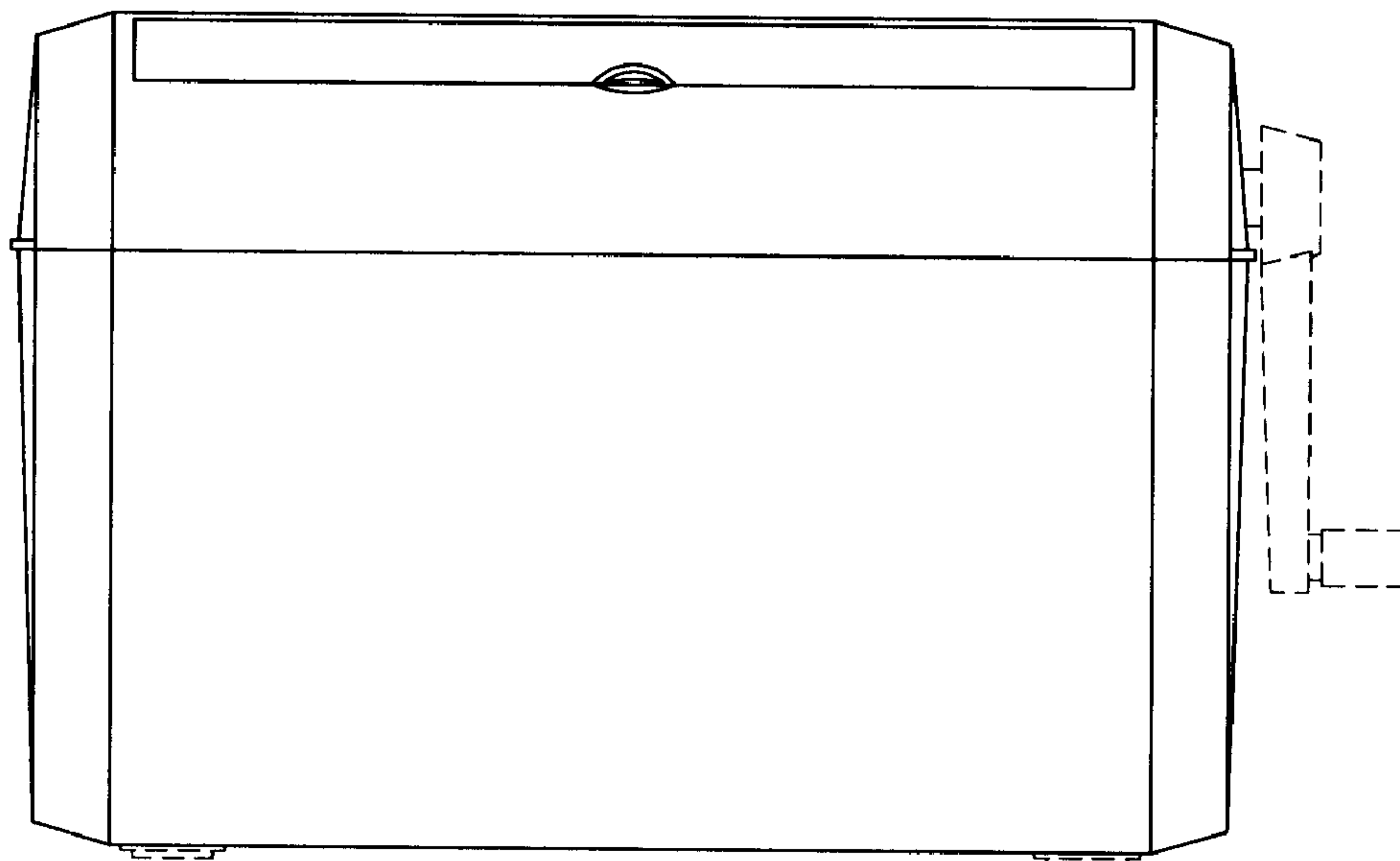


FIG. 1

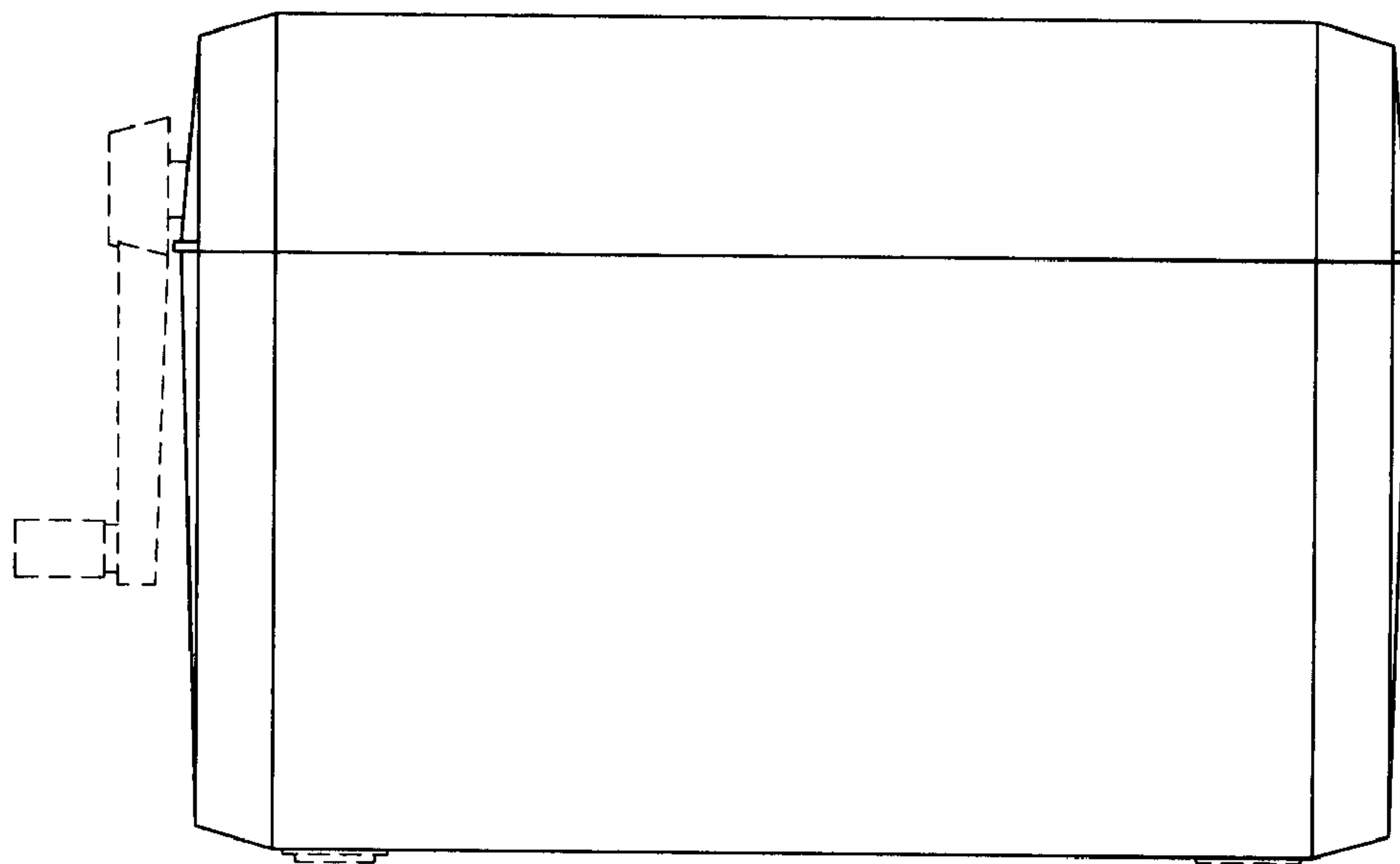


FIG. 2

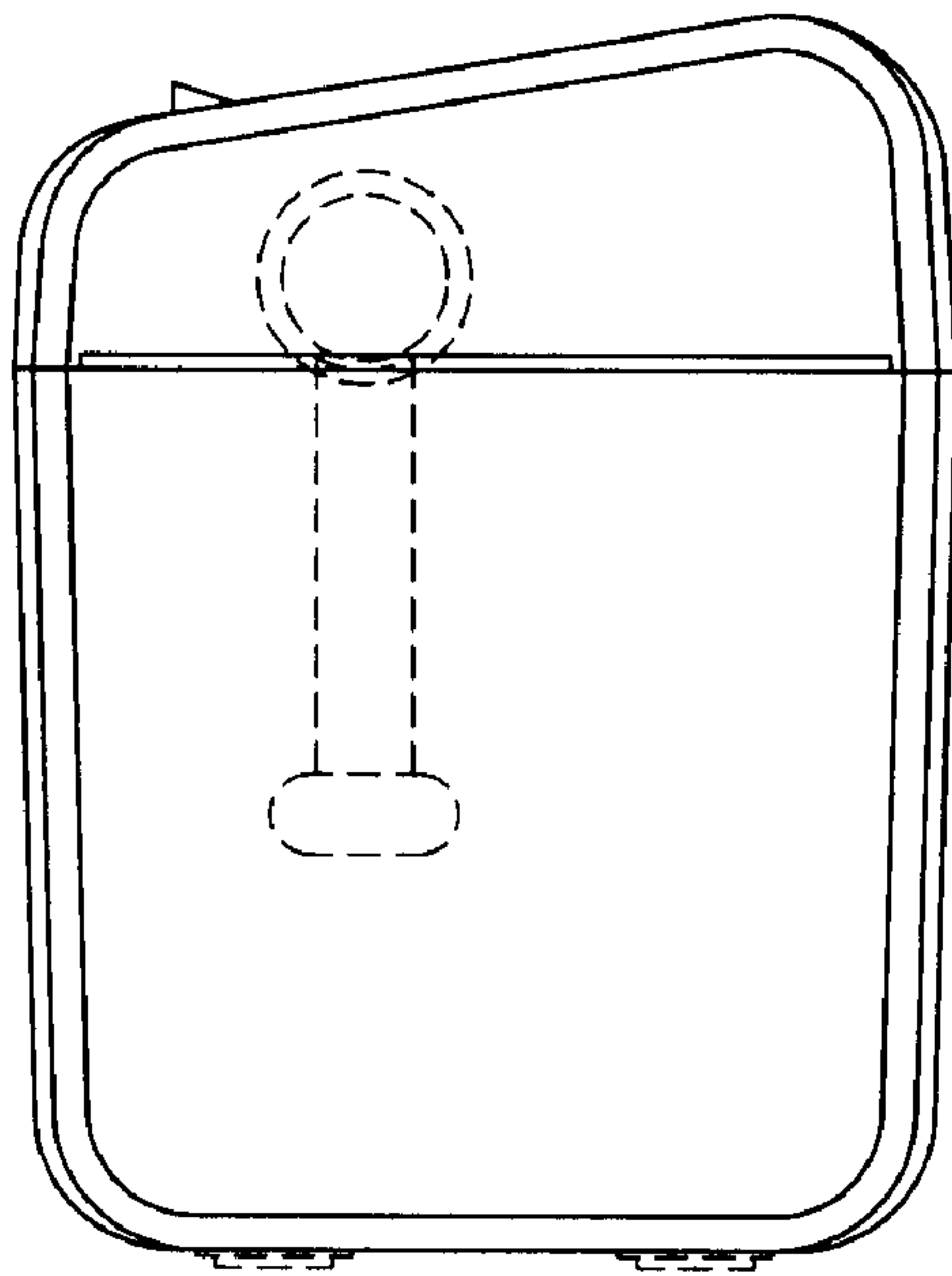


FIG. 3

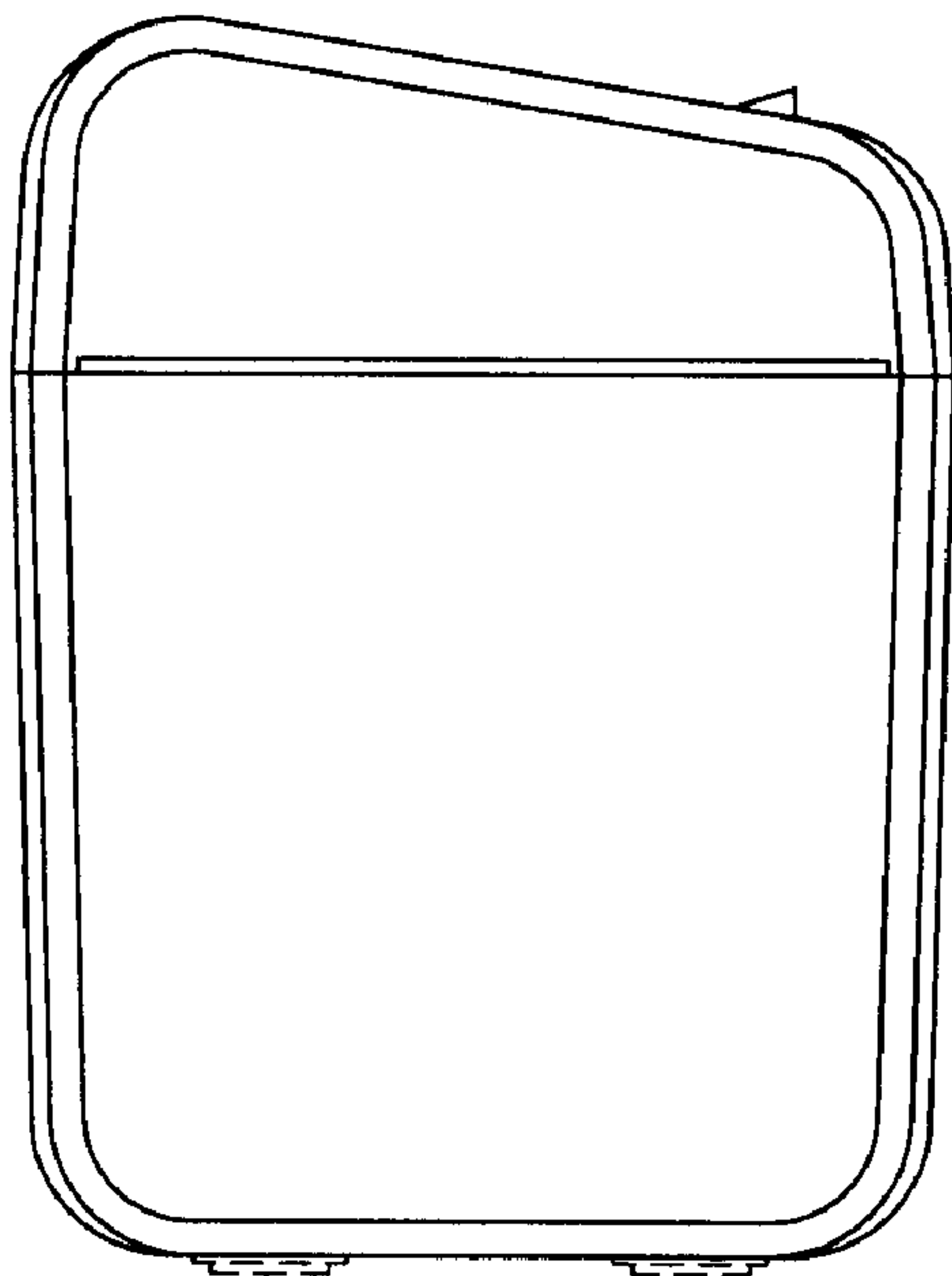


FIG. 4

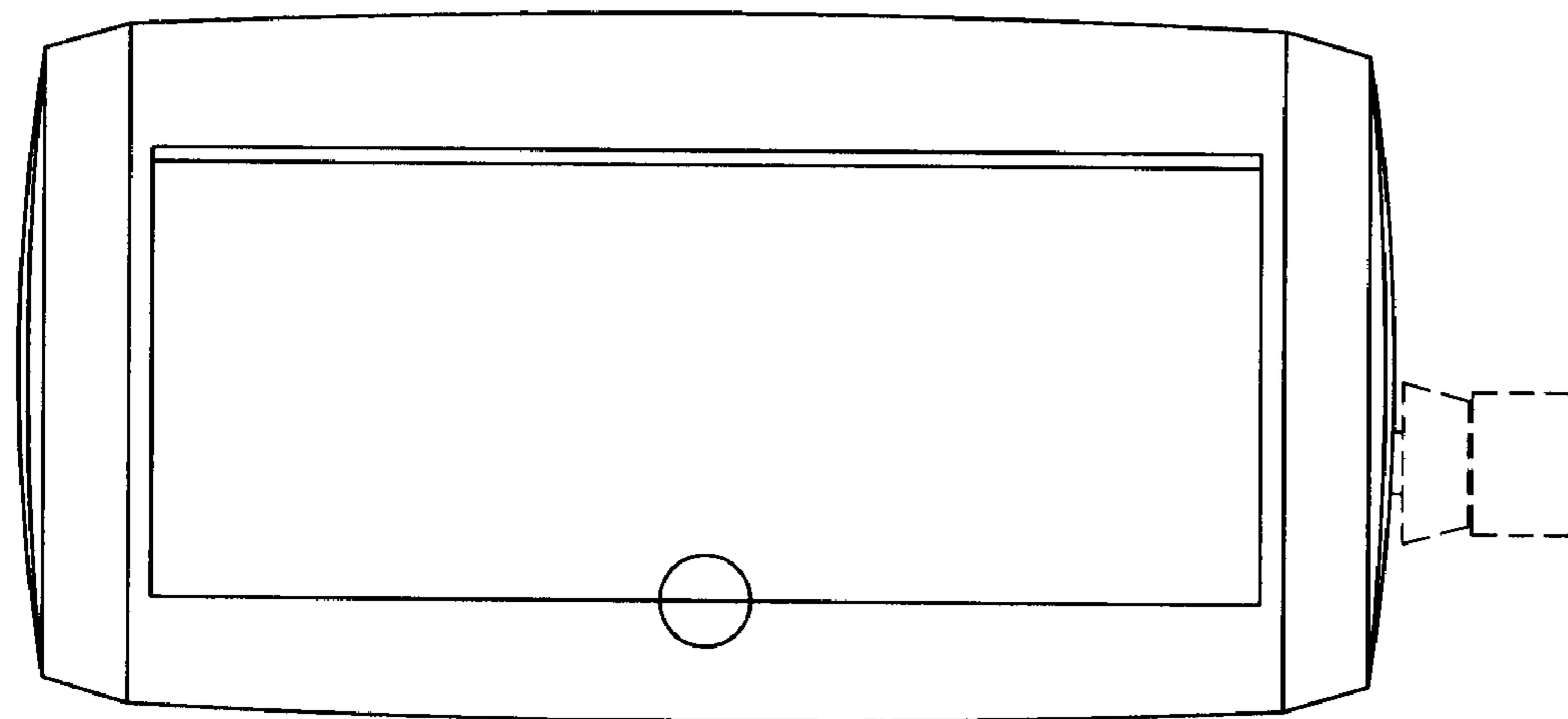


FIG. 5

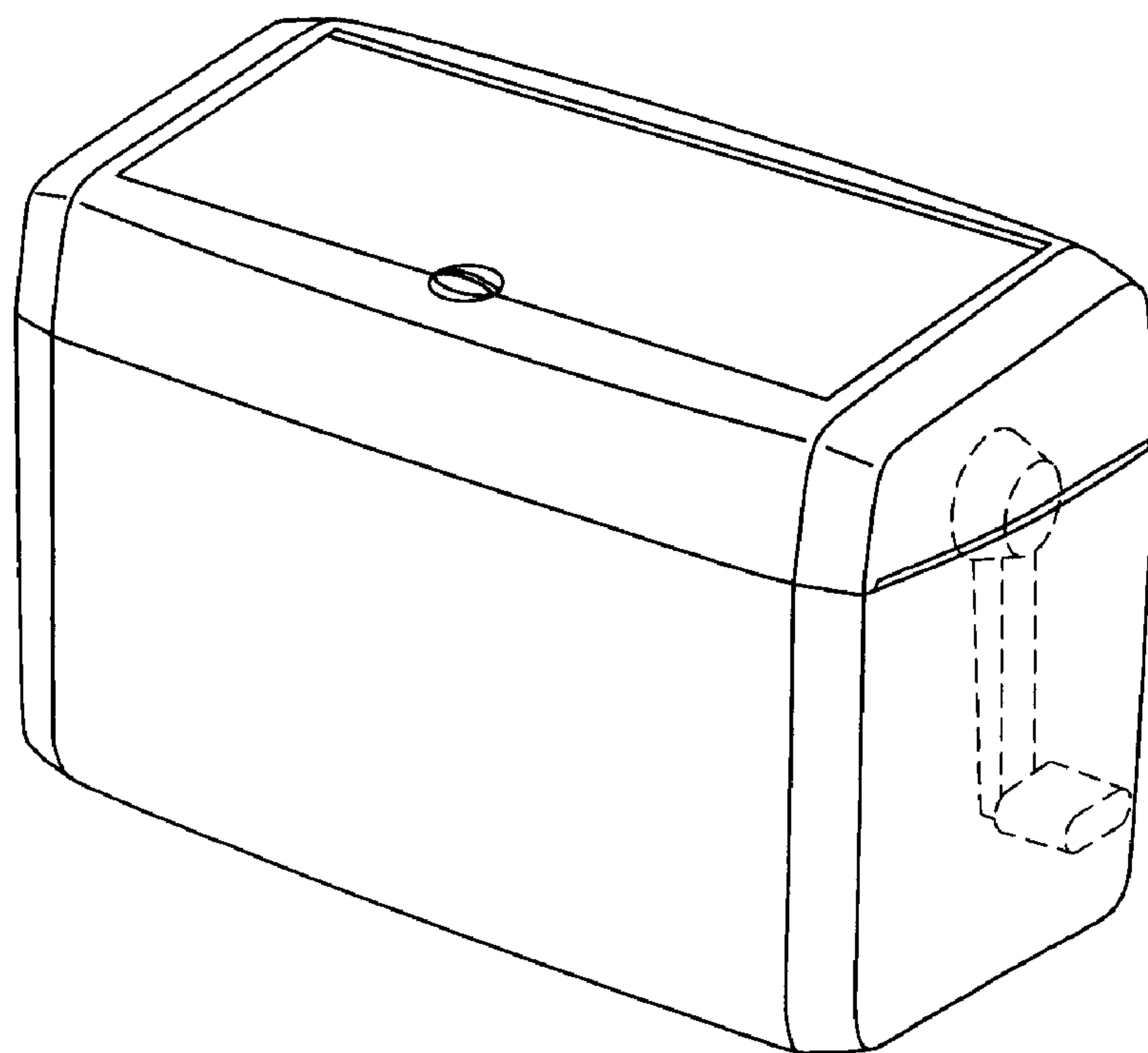


FIG. 6