

US00D537095S

(12) **United States Design Patent**
Alden et al.

(10) **Patent No.:** **US D537,095 S**

(45) **Date of Patent:** **** Feb. 20, 2007**

(54) **SURFACE TREATMENT FOR IMAGE CAPTURE DEVICE**

D455,165 S * 4/2002 Tsang et al. D16/202
D523,887 S * 6/2006 Sitoh et al. D16/202
D527,755 S * 9/2006 Wu D16/202

(76) Inventors: **Tor Alden**, 32 Granville Way, Basking Ridge, NJ (US) 07920; **Erik Klemm**, 53 Van Horn Rd., Newton, NJ (US) 07860; **David Laporta**, 6 Washington St., Matwan, NJ (US) 07747

* cited by examiner

Primary Examiner—Adir Aronovich
(74) *Attorney, Agent, or Firm*—Morgan, Lewis & Bockius LLP

(**) Term: **14 Years**

(57) **CLAIM**

(21) Appl. No.: **29/225,396**

The ornamental design for a surface treatment for an image capture device, as shown and described.

(22) Filed: **Mar. 15, 2005**

DESCRIPTION

(51) **LOC (8) Cl.** **16-05**

(52) **U.S. Cl.** **D16/219**; D16/202

(58) **Field of Classification Search** D16/200–205,
D16/208, 218, 219; 348/373–376; 358/906,
358/909.1; 396/535–541

See application file for complete search history.

FIG. 1 is a front perspective view of a surface treatment for an image capture device showing our new design; FIG. 2 is a front elevational view thereof; FIG. 3 is a right side elevational view thereof; FIG. 4 is a rear elevational view, thereof; FIG. 5 is a left side elevational view thereof; FIG. 6 is a top plan view thereof; and, FIG. 7 is a bottom plan view thereof.

All broken lines are for illustrative purposes only and form no part of the claimed design.

(56) **References Cited**

U.S. PATENT DOCUMENTS

5,855,343 A * 1/1999 Krekelberg 248/918
D451,939 S * 12/2001 Roh D16/202
D452,259 S * 12/2001 Choi D16/202

1 Claim, 3 Drawing Sheets

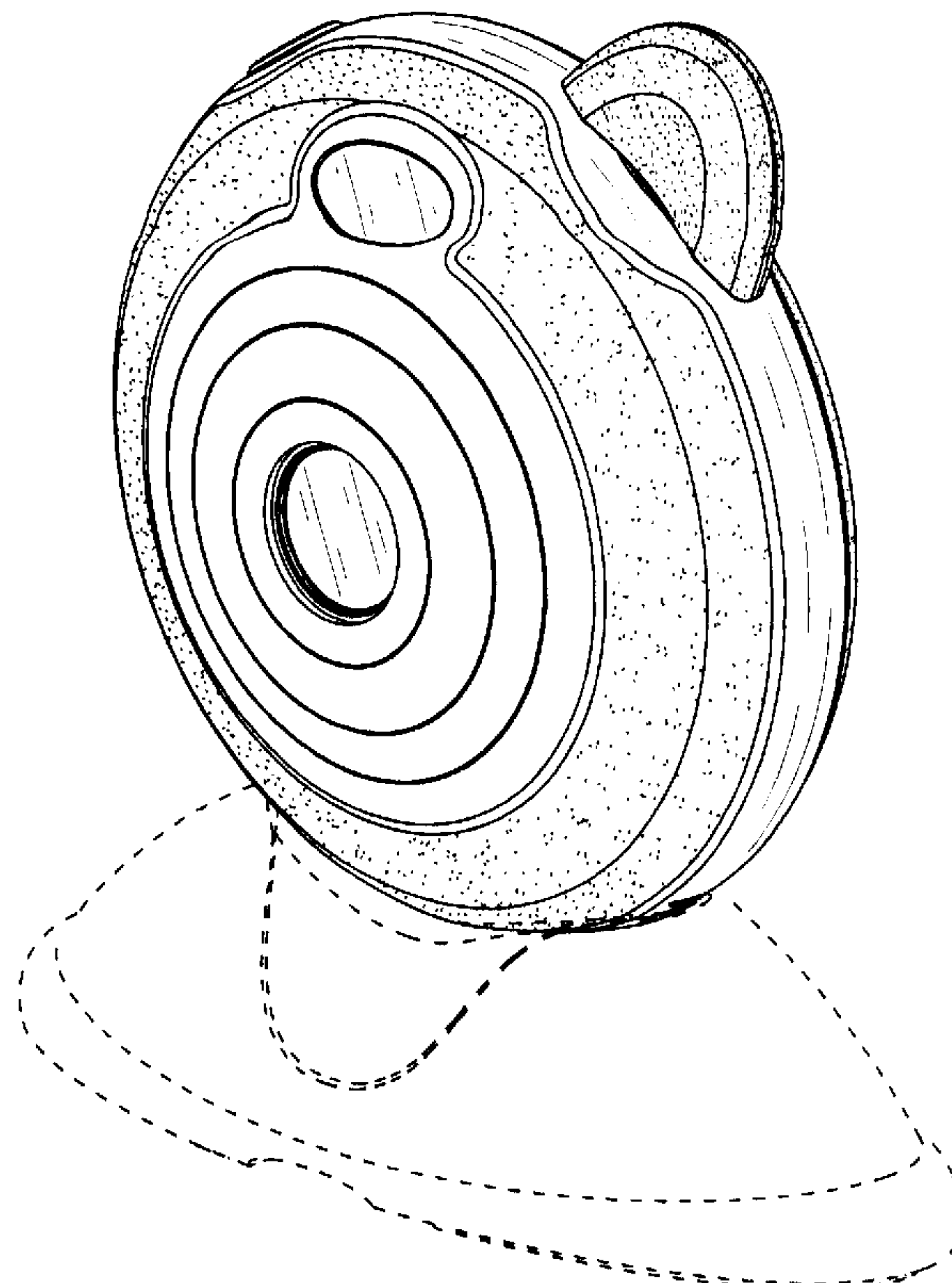


FIG. 1

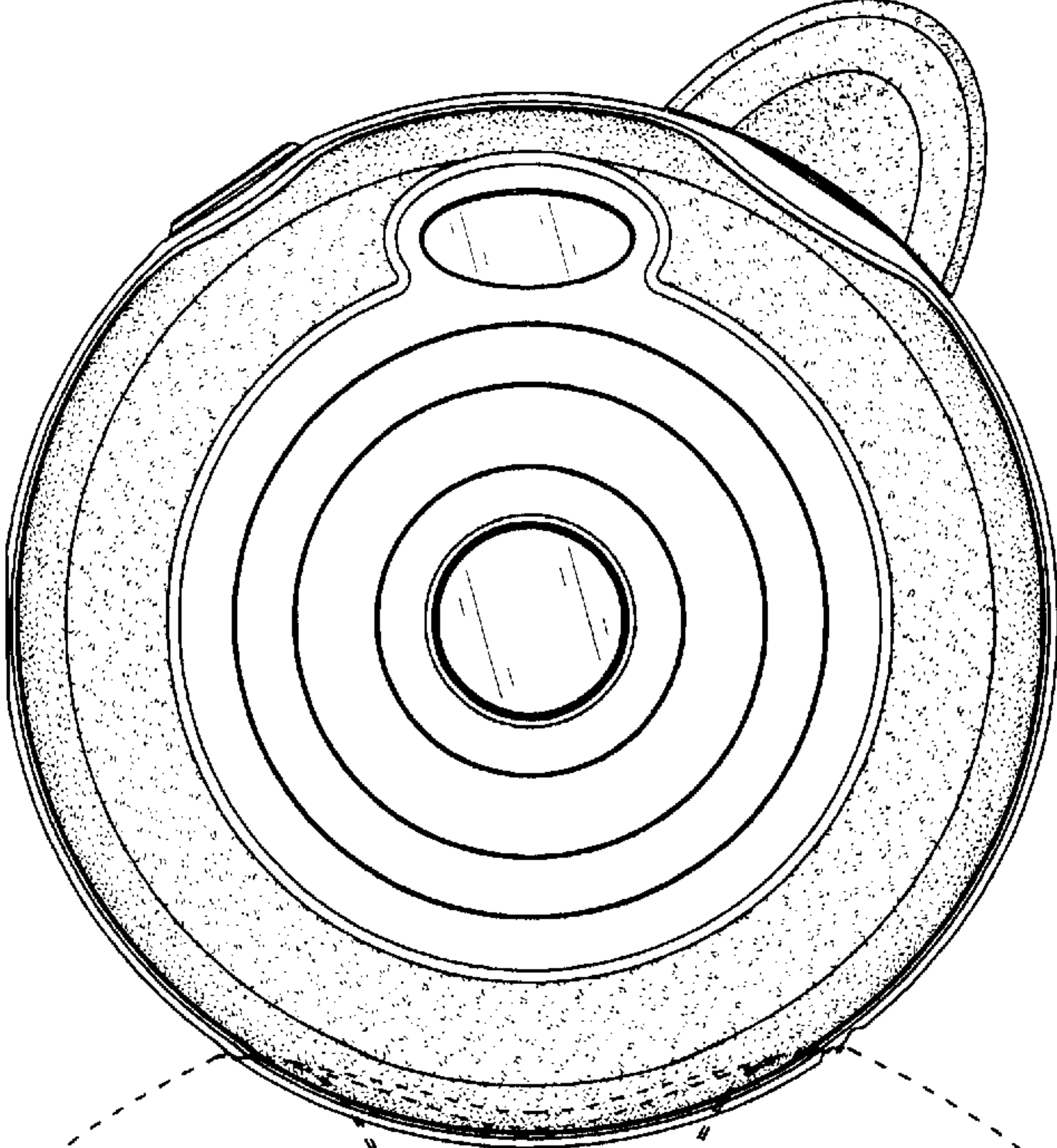
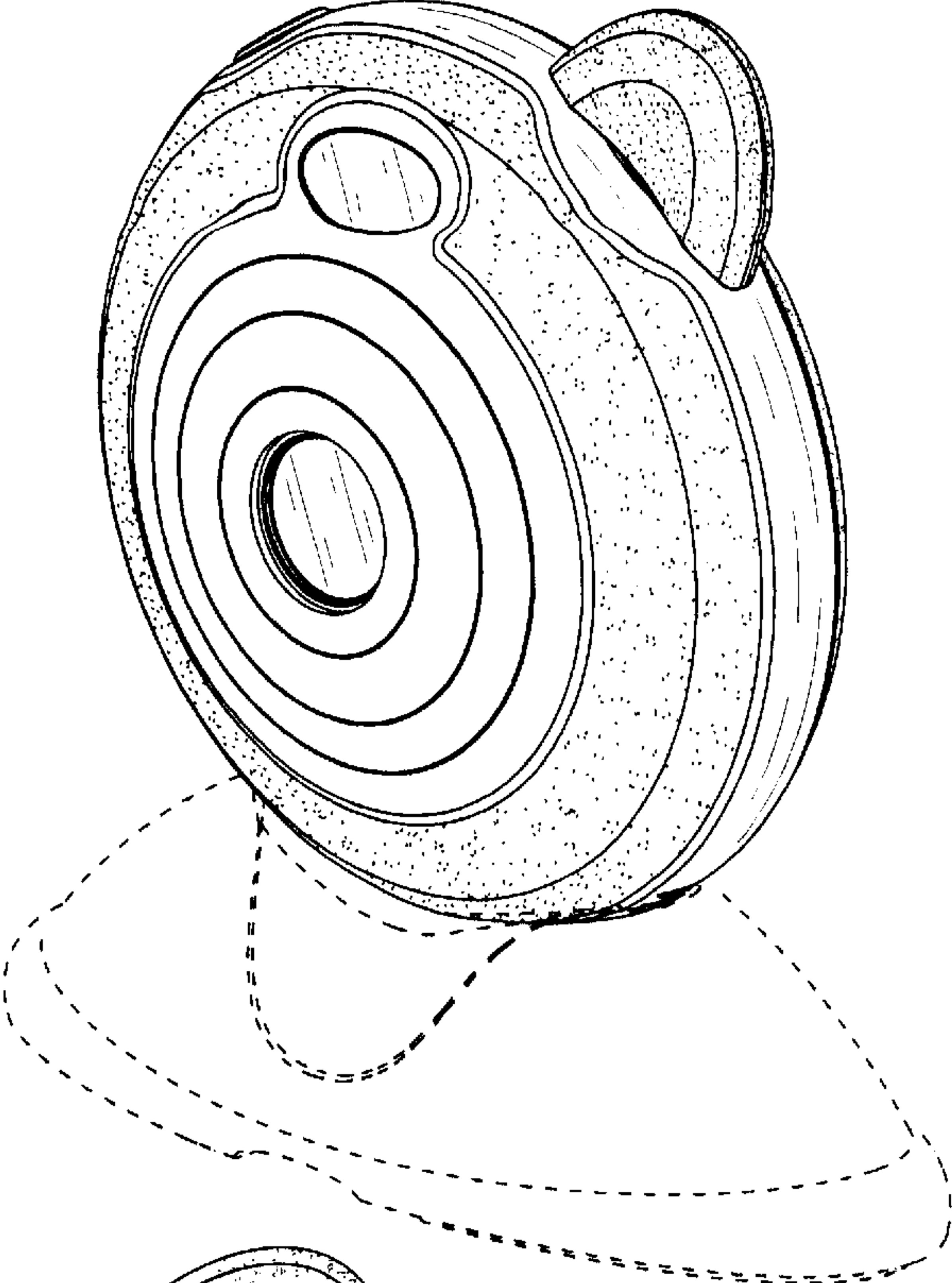


FIG. 2

FIG. 3

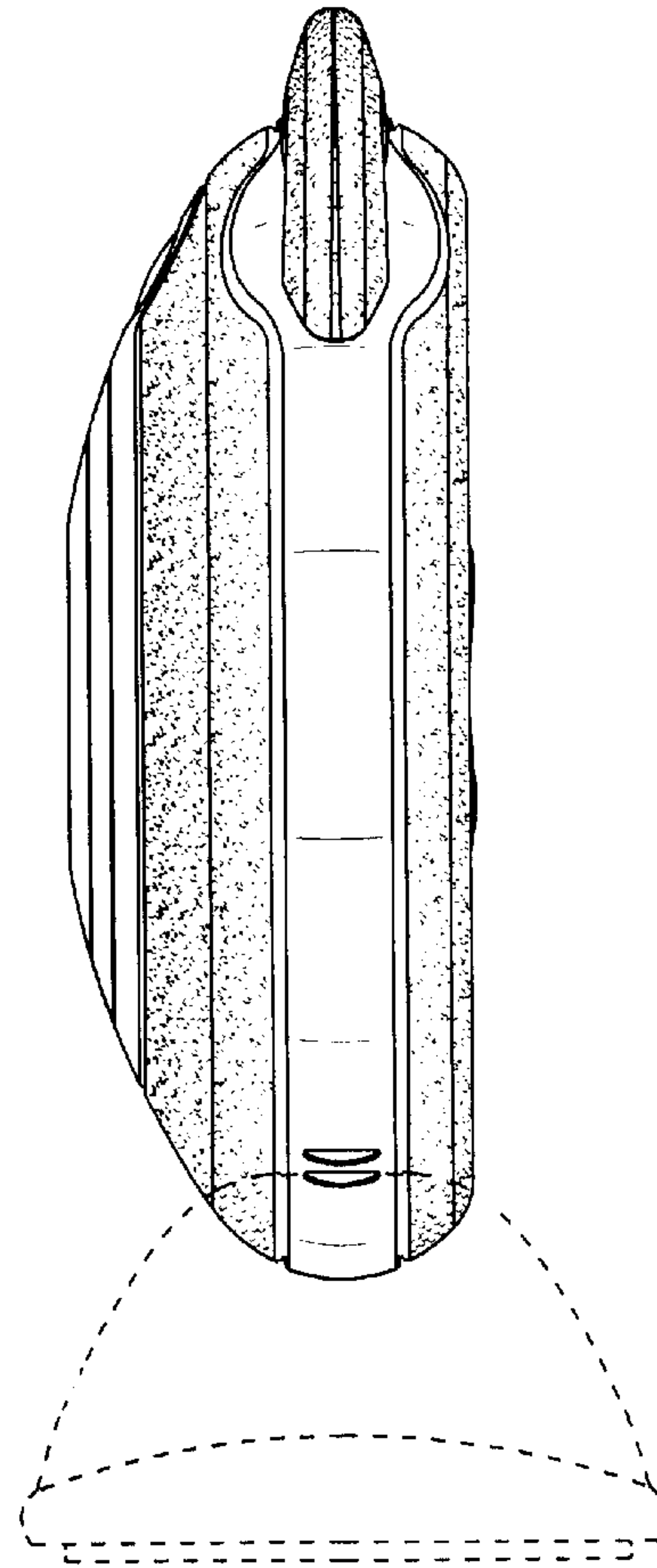
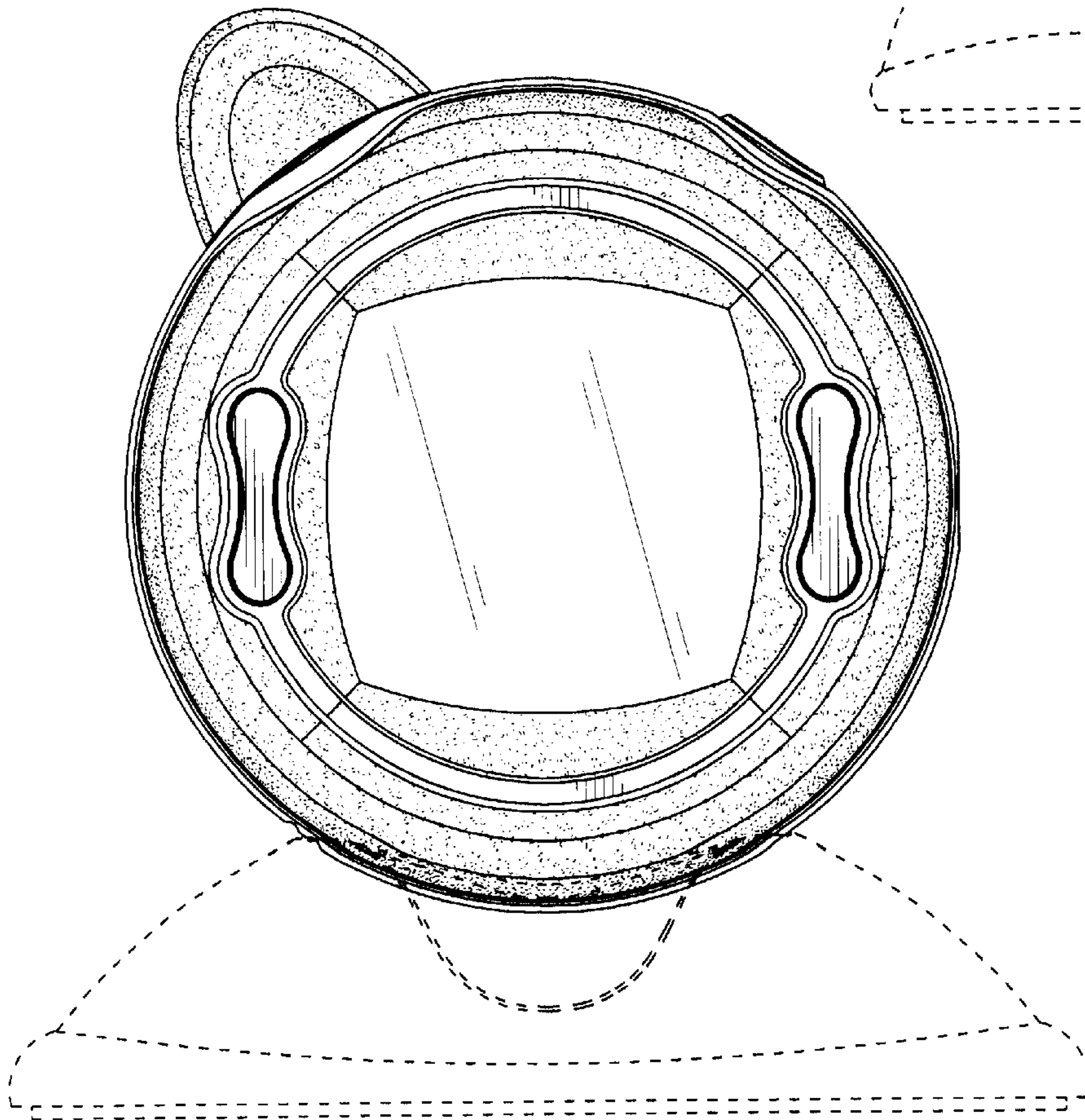


FIG. 4



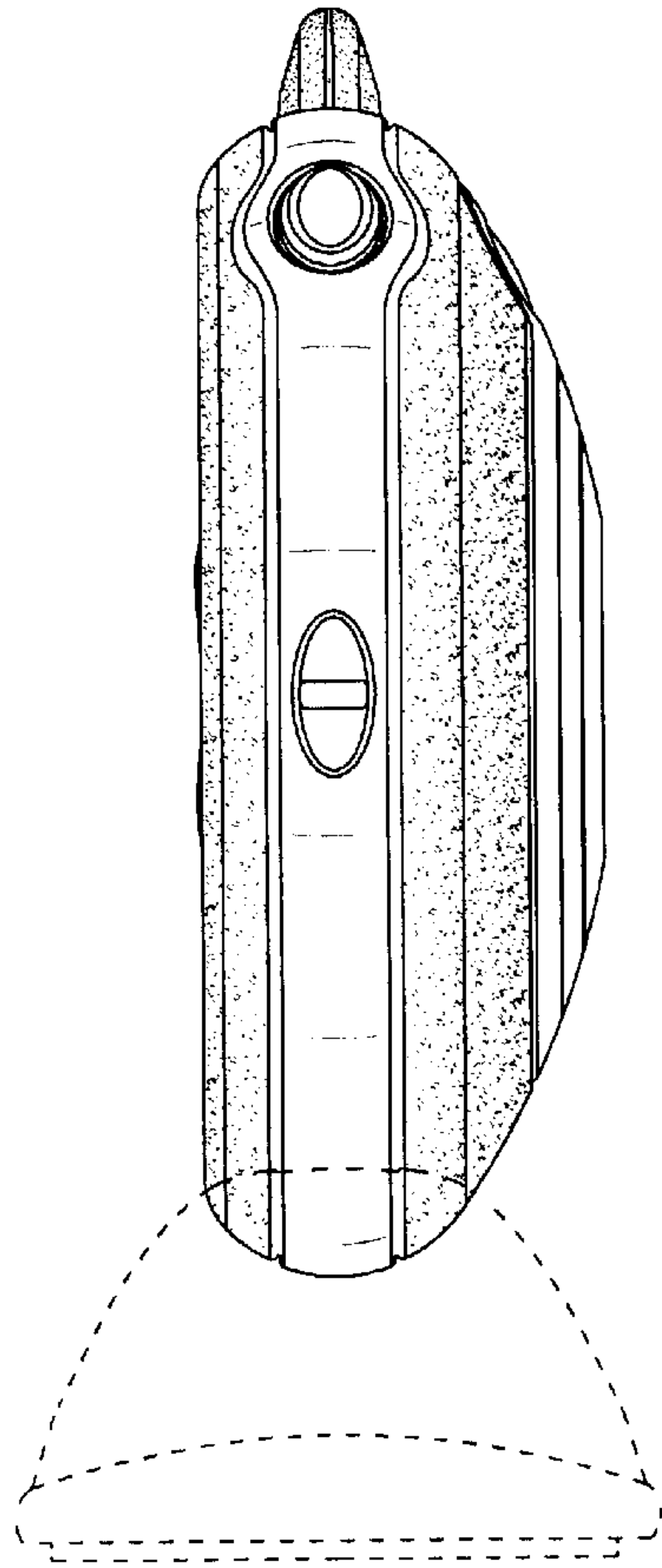


FIG. 5

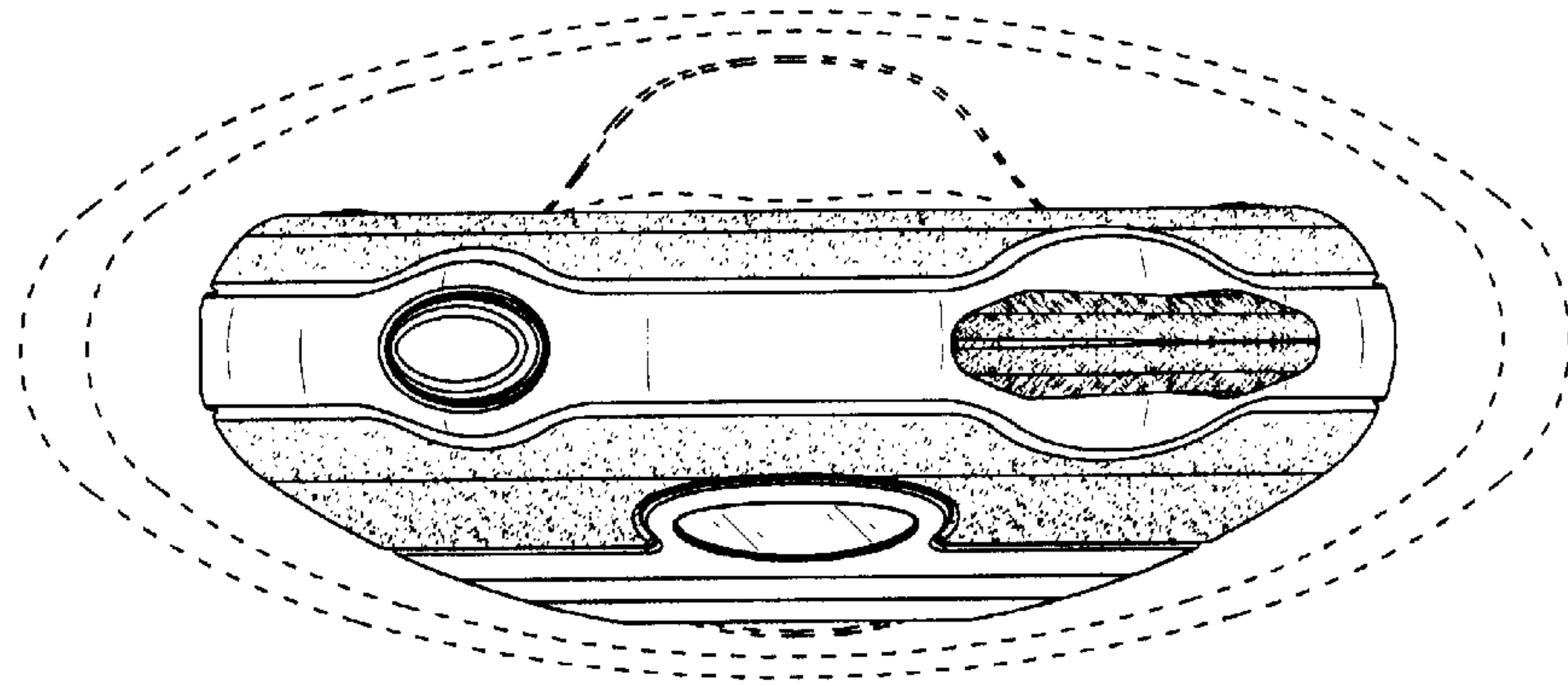


FIG. 6

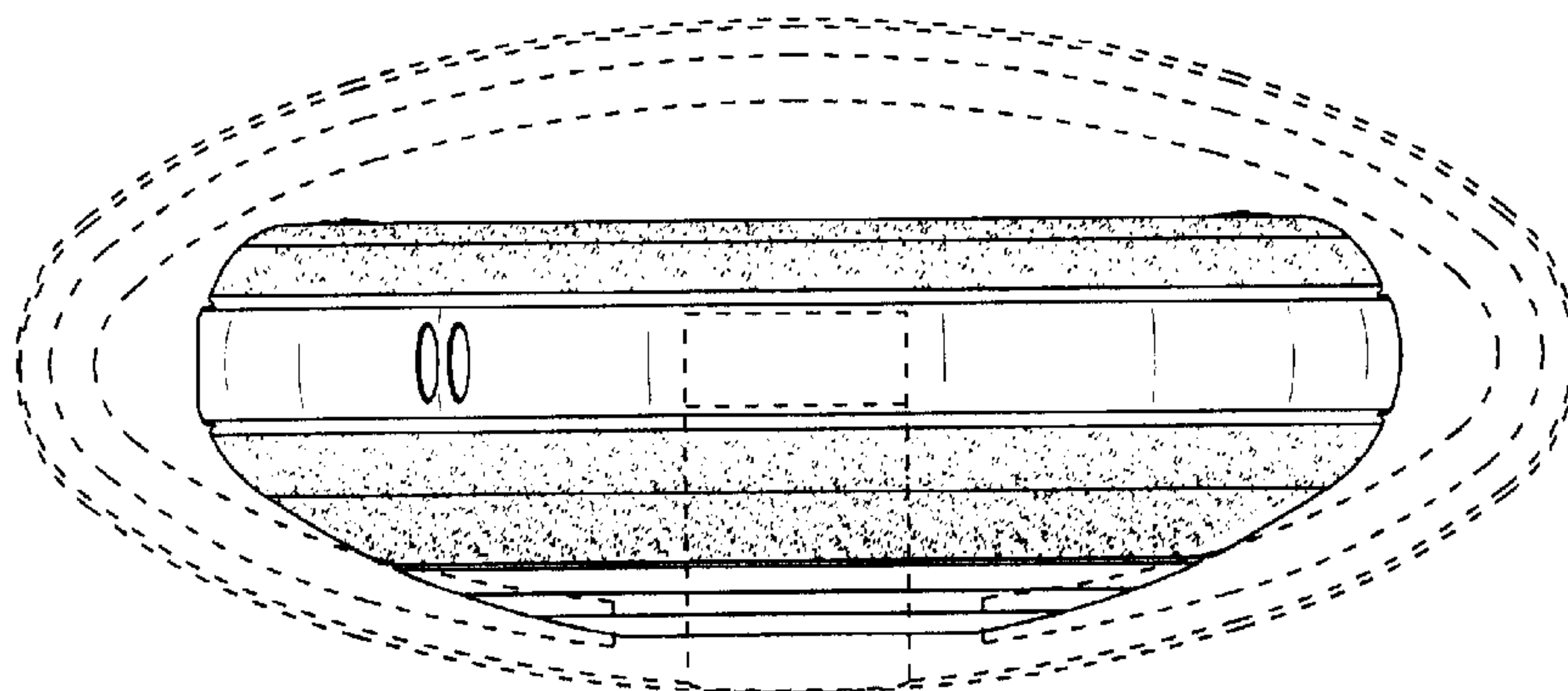


FIG. 7