



US00D537093S

(12) **United States Design Patent**
Nakamura

(10) **Patent No.:** **US D537,093 S**
(45) **Date of Patent:** **** Feb. 20, 2007**

(54) **DIGITAL STILL CAMERA**

(75) Inventor: **Makoto Nakamura**, Kyoto (JP)

(73) Assignee: **Matsushita Electric Industrial Co., Ltd.**, Osaka (JP)

(**) Term: **14 Years**

(21) Appl. No.: **29/233,378**

(22) Filed: **Jun. 30, 2005**

(30) **Foreign Application Priority Data**

Mar. 9, 2005 (JP) 2005-006957

(51) **LOC (8) Cl.** **16-01**

(52) **U.S. Cl.** **D16/202; D16/218**

(58) **Field of Classification Search** D16/200–206,
D16/208, 218; 348/373–376; 358/906, 909.1;
396/535–541

See application file for complete search history.

(56) **References Cited**

U.S. PATENT DOCUMENTS

D392,659 S	3/1998	Takano	
D407,098 S	3/1999	Goto et al.	
D445,440 S	7/2001	Chen	
D449,628 S	10/2001	Obata et al.	
D457,903 S	5/2002	Nasu	
6,434,337 B1	8/2002	Misawa	
D470,162 S	2/2003	Nakamura et al.	
D473,577 S	4/2003	Nakamura	
D473,886 S	4/2003	Katayama	
D479,547 S	9/2003	Nagayama	
D484,157 S	12/2003	Watanabe et al.	
D495,352 S	* 8/2004	Sakaguchi et al.	D16/202
D507,586 S	* 7/2005	Nakamura	D16/202

D516,599 S	*	3/2006	Nakamura	D16/202
D524,341 S	*	7/2006	Nagayama et al.	D16/202
D525,638 S	*	7/2006	Nakamura	D16/202
D525,639 S	*	7/2006	Nakamura	D16/202

FOREIGN PATENT DOCUMENTS

JP	1068305	4/2000
JP	1113587	7/2001
JP	1164052	1/2003
JP	1188405	10/2003
JP	1209912	6/2004

OTHER PUBLICATIONS

Panasonic Model “LUMIX DMC-LZ1” and “LUMIX DMC LZ2” Catalog issued by Matsushita Electrical Industrial Co.

* cited by examiner

Primary Examiner—Adir Aronovich

(74) *Attorney, Agent, or Firm*—Brinks Hofer Gilson & Lione

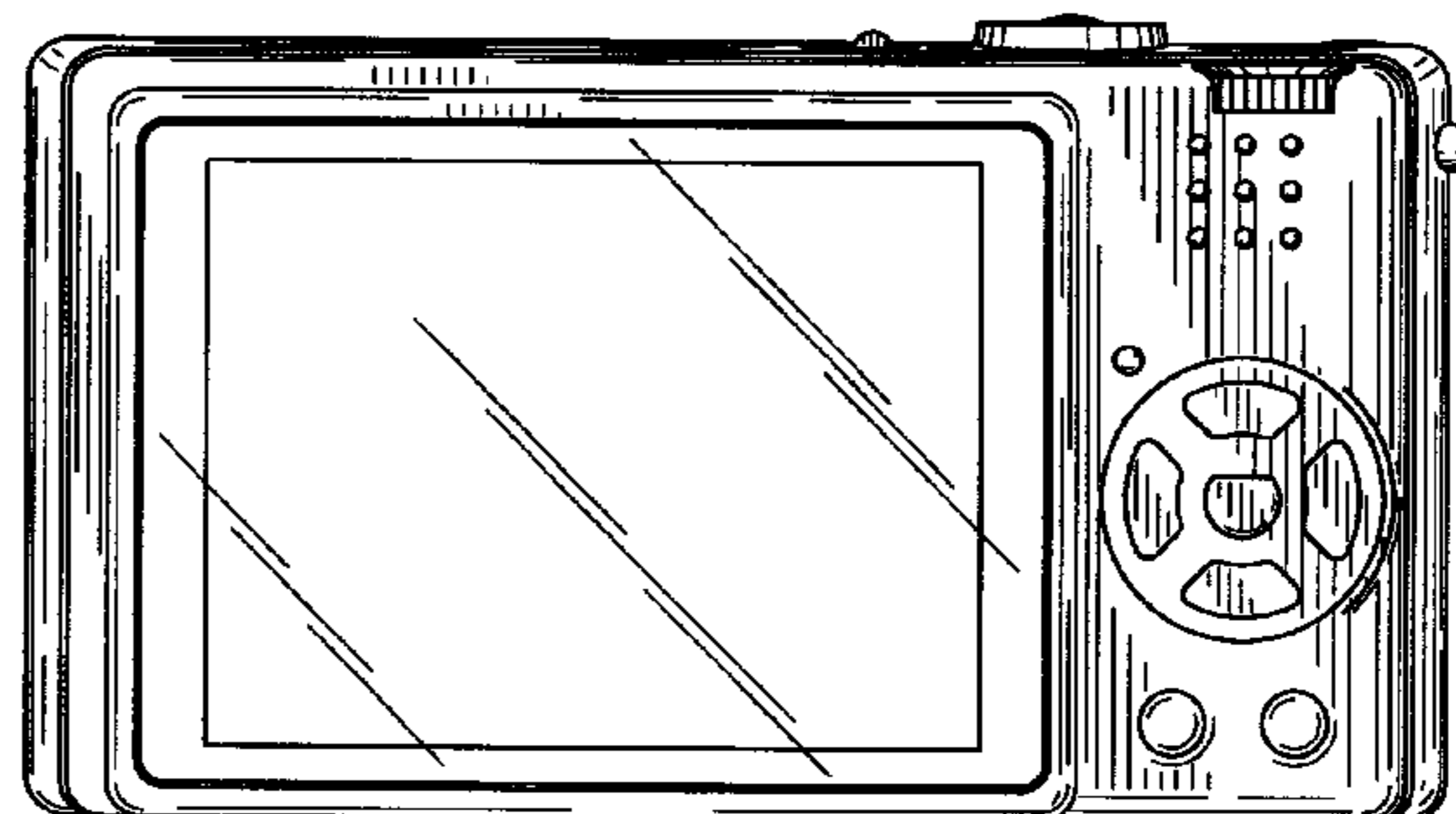
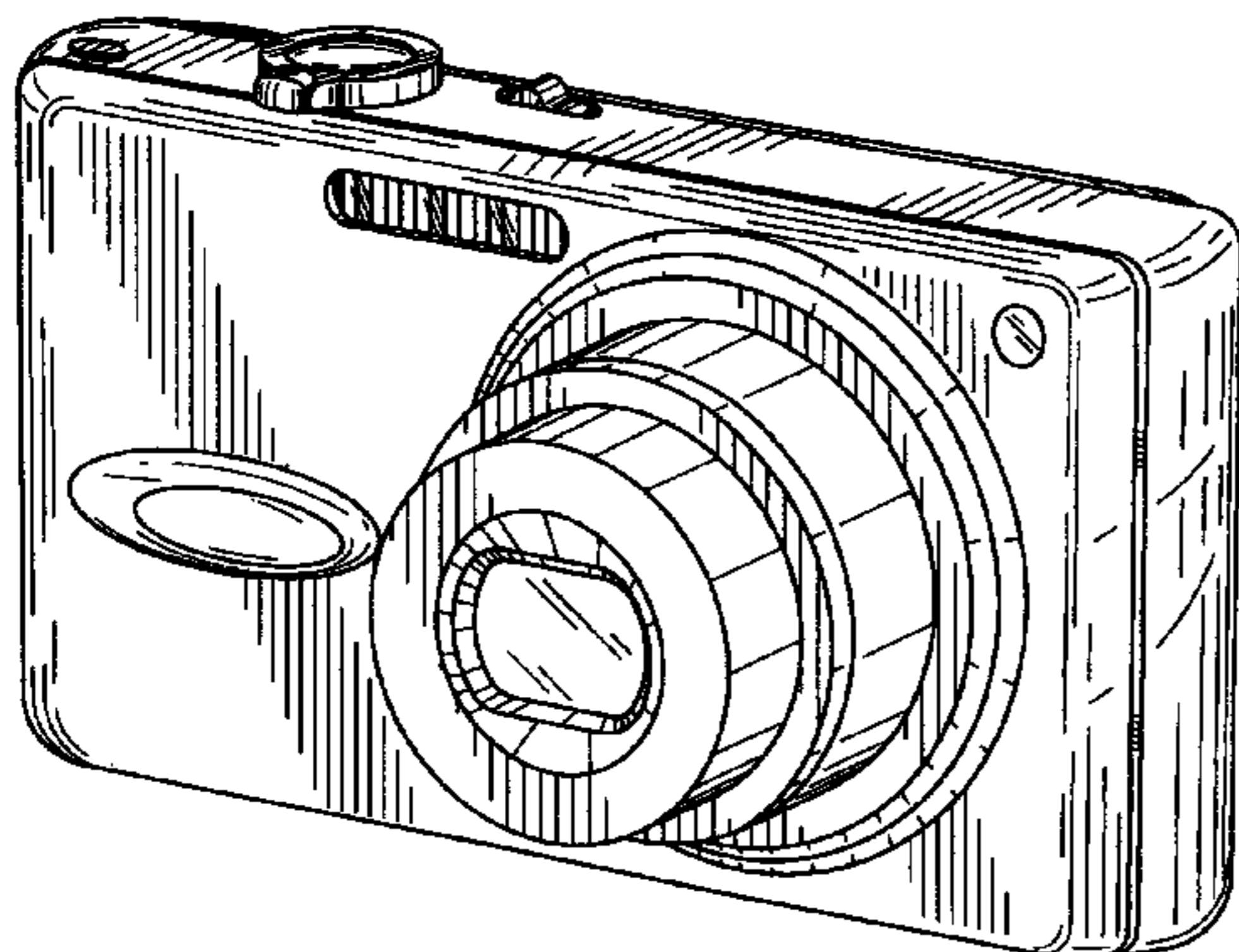
(57) **CLAIM**

I claim the ornamental design for a digital still camera, as shown and described.

DESCRIPTION

FIG. 1 is a top perspective view of a digital still camera of the present invention;
FIG. 2 is a front view thereof;
FIG. 3 is a rear view thereof;
FIG. 4 is a first side view thereof;
FIG. 5 is a second side view thereof;
FIG. 6 is a top view thereof; and,
FIG. 7 is a bottom view thereof.

1 Claim, 7 Drawing Sheets



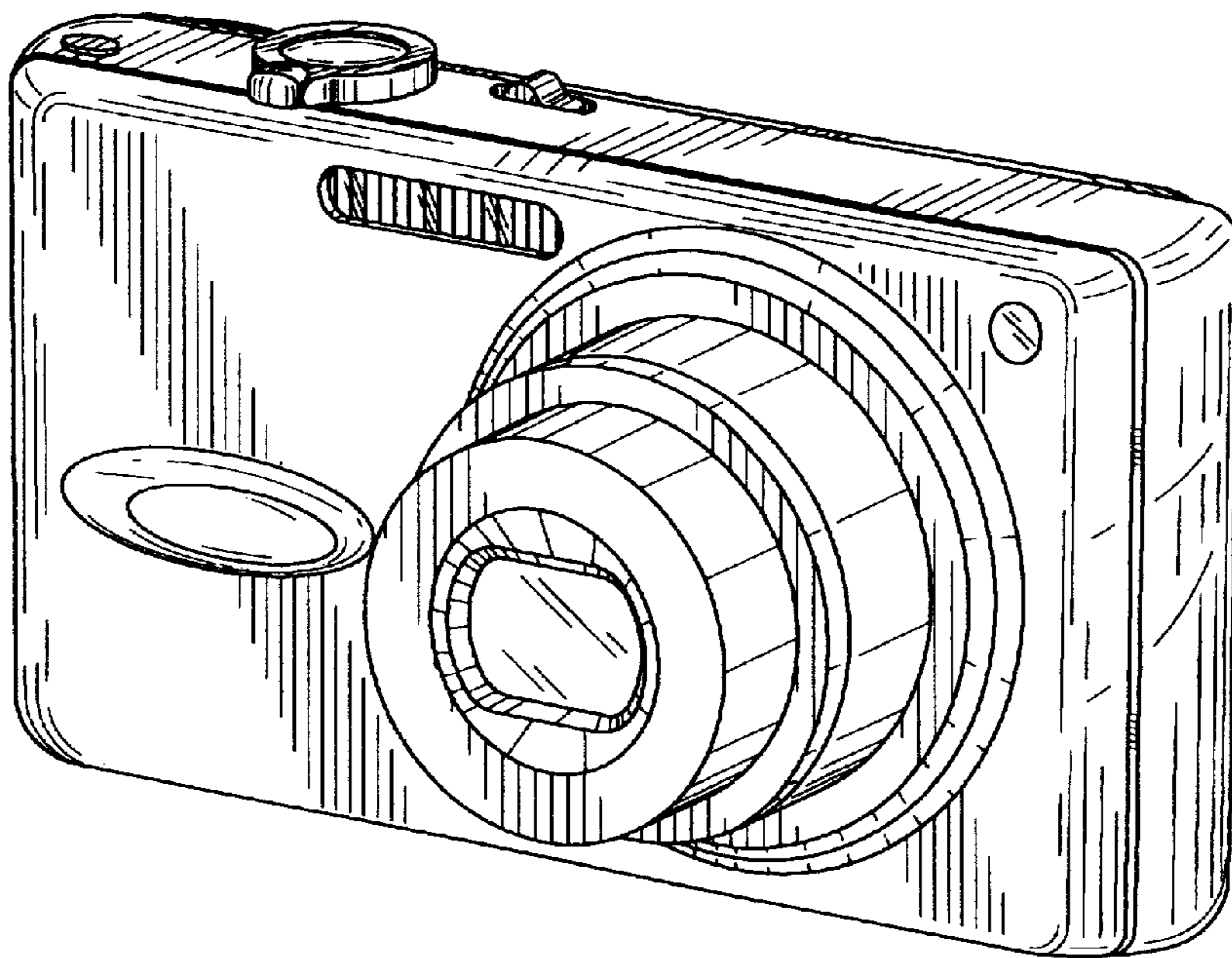


FIG. 1

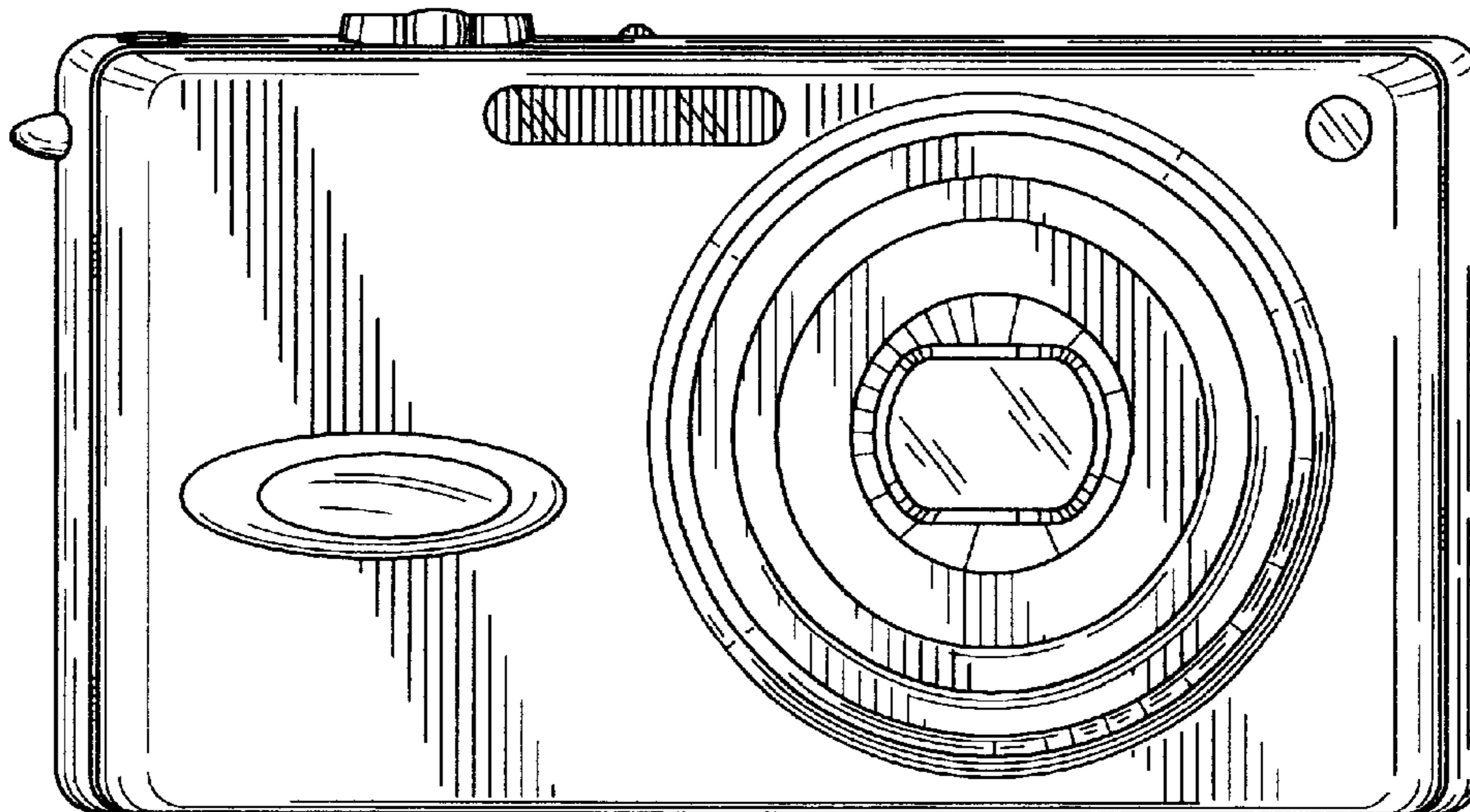


FIG. 2

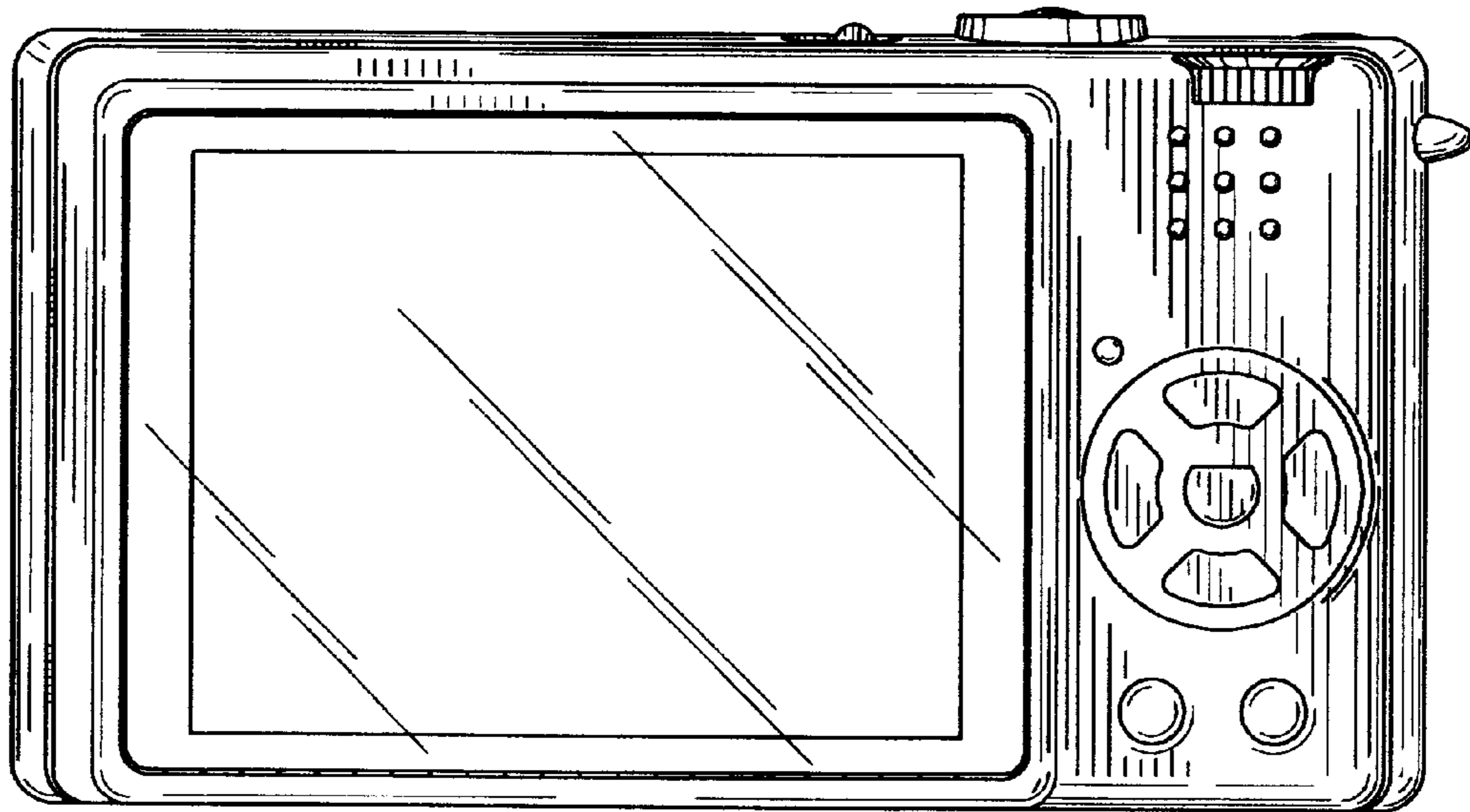


FIG. 3

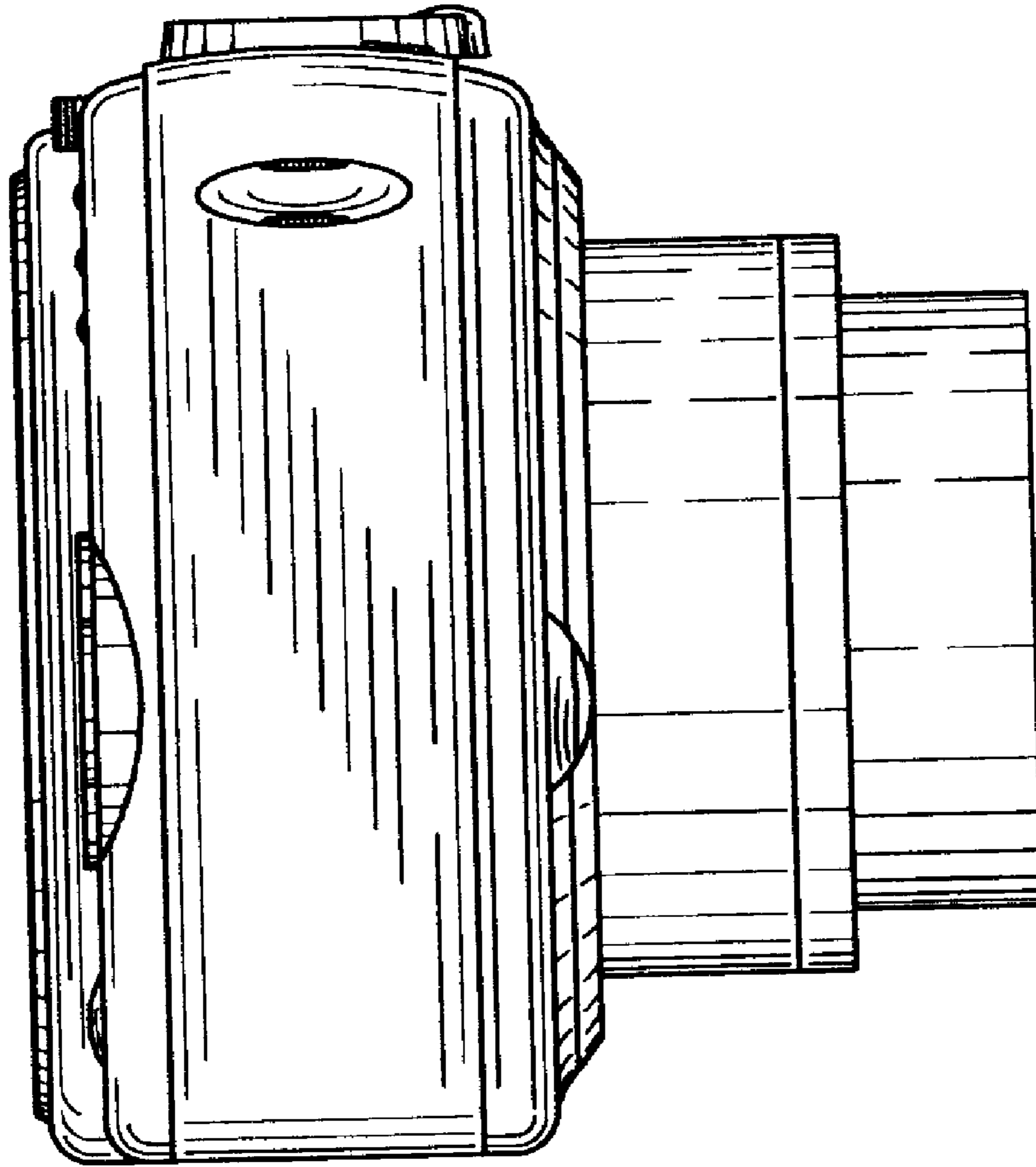


FIG. 4

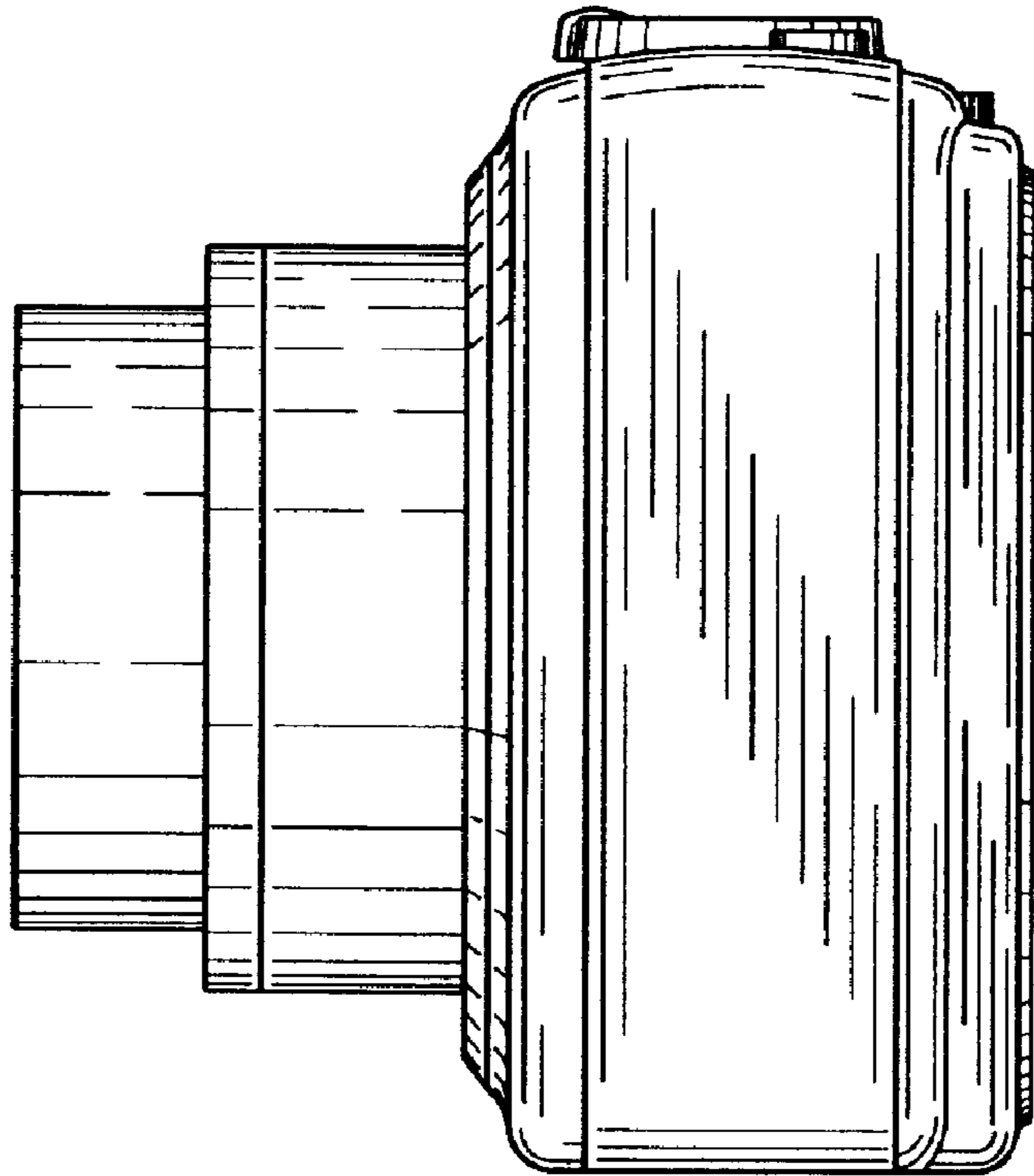


FIG. 5

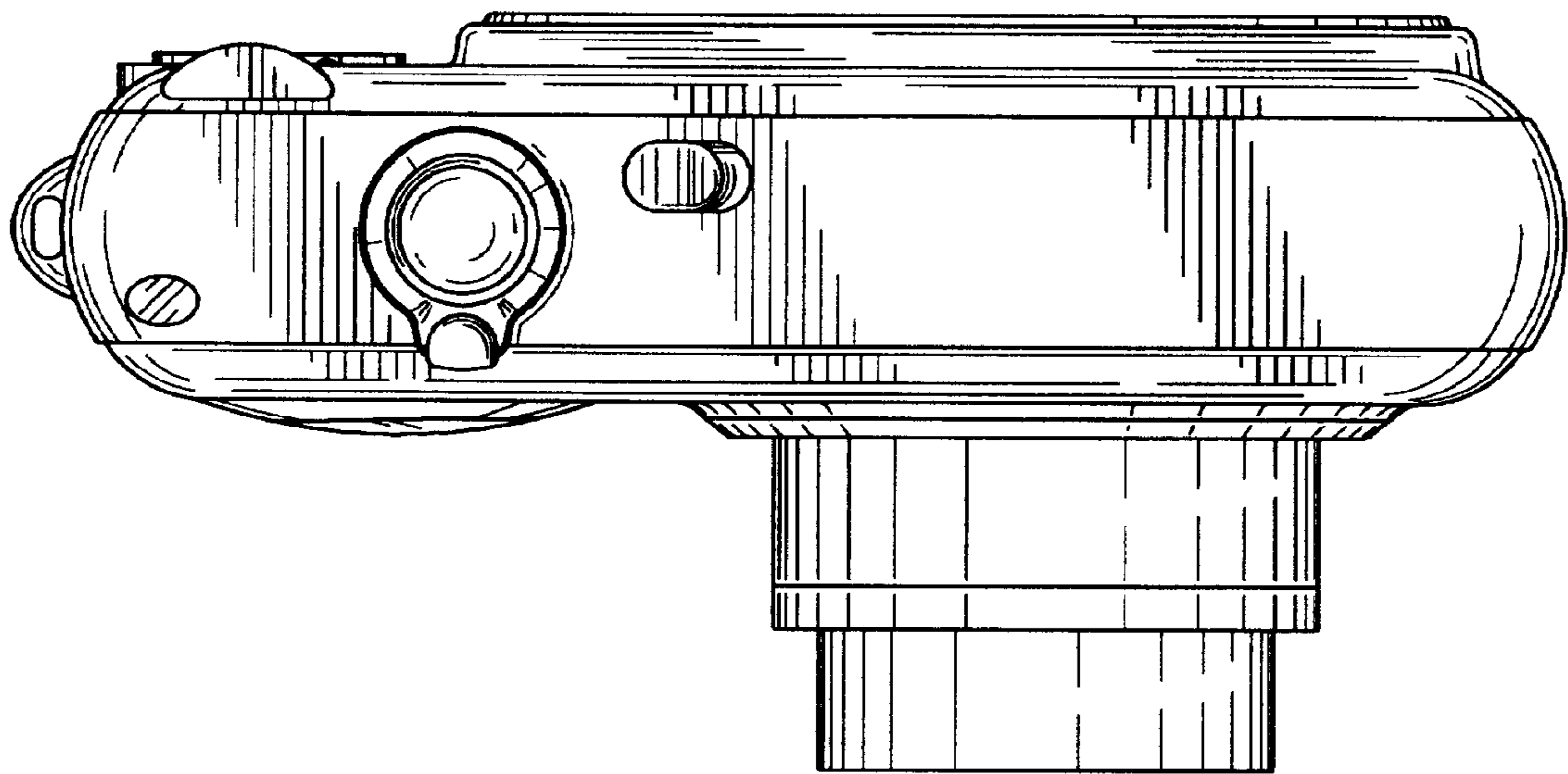


FIG. 6

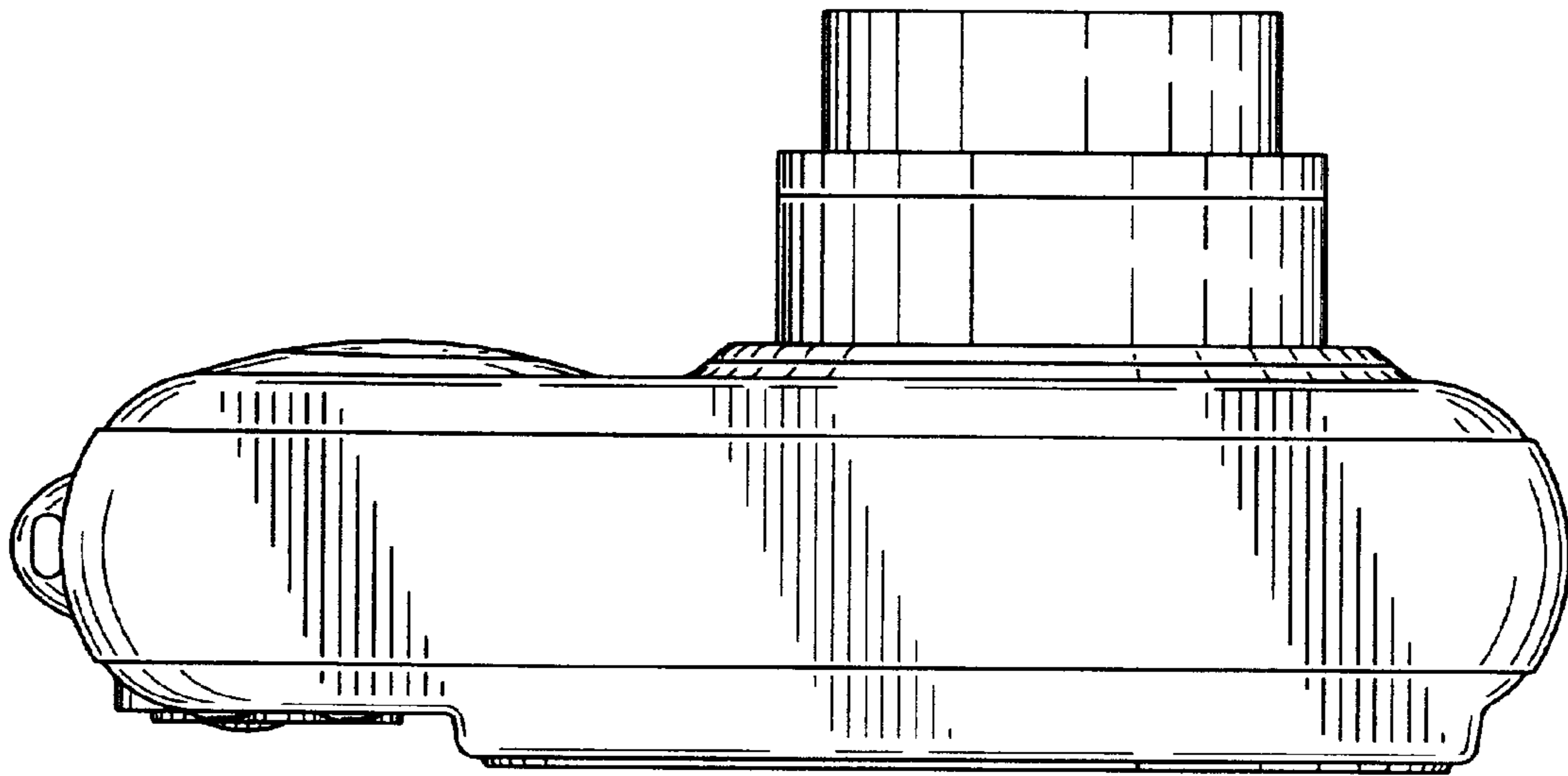


FIG. 7